



US00D729488S

(12) **United States Design Patent**
Pulskamp et al.

(10) **Patent No.:** **US D729,488 S**

(45) **Date of Patent:** **** May 12, 2015**

(54) **PALLET**

(71) Applicants: **Steven R. Pulskamp**, New Bremen, OH (US); **Daniel C. Magoto**, Russia, OH (US); **Daniel W. Kahlig**, Fort Recovery, OH (US); **Benjamin J. Purrenhage**, Kalamazoo, MI (US); **Mark J. Sherman**, Hudsonville, MI (US)

(72) Inventors: **Steven R. Pulskamp**, New Bremen, OH (US); **Daniel C. Magoto**, Russia, OH (US); **Daniel W. Kahlig**, Fort Recovery, OH (US); **Benjamin J. Purrenhage**, Kalamazoo, MI (US); **Mark J. Sherman**, Hudsonville, MI (US)

(73) Assignee: **Crown Equipment Corporation**, New Bremen, OH (US)

(**) Term: **14 Years**

(21) Appl. No.: **29/464,244**

(22) Filed: **Aug. 14, 2013**

(51) **LOC (10) Cl.** **09-08**

(52) **U.S. Cl.**
USPC **D34/38**

(58) **Field of Classification Search**
CPC B65D 2519/00323; B65D 2519/00293;
B65D 2519/00333; B65D 2519/00273; B65D
2519/00572; B65D 2519/00338; B65D
2519/00288; B65D 2519/0094; B65D
2519/00069; B65D 2519/00318
USPC D34/38; 108/51.11, 51.1, 53.3, 53.5,
108/57.29, 56.3

See application file for complete search history.

(56) **References Cited**

U.S. PATENT DOCUMENTS

D228,896 S * 10/1973 Melnick et al. D34/38
D229,043 S * 11/1973 Melnick et al. D34/38
D281,366 S * 11/1985 Hakanen D34/38

D283,267 S * 4/1986 Kero et al. D34/38
D333,028 S * 2/1993 Lux, Jr. D34/38
D348,136 S * 6/1994 Haag et al. D34/38
D349,991 S * 8/1994 Wilks, Jr. D34/38
D371,670 S * 7/1996 Carlsson D34/38
5,752,584 A 5/1998 Magoto et al.
7,293,509 B2 11/2007 Hassell
7,644,666 B2 1/2010 Smyers
7,819,068 B2 10/2010 Apps et al.
D628,353 S * 11/2010 Garton et al. D34/38
D628,355 S * 11/2010 Spann et al. D34/38
7,845,289 B2 12/2010 Apps
8,282,111 B2 10/2012 Hailston et al.
8,291,839 B2 10/2012 Apps et al.
2010/0043676 A1 * 2/2010 Apps et al. 108/53.3
2010/0095875 A1 4/2010 Hailston et al.
2012/0319063 A1 12/2012 Hailston et al.

* cited by examiner

Primary Examiner — Cynthia Ramirez

(74) *Attorney, Agent, or Firm* — Stevens & Showalter LLP

(57) **CLAIM**

The ornamental design for a pallet, as shown and described.

DESCRIPTION

FIG. 1 is a perspective view of the pallet taken from an upper right corner of the pallet;

FIG. 2 is a top view thereof;

FIG. 3 is a right end elevational view thereof, the left end elevational view being the same as the right end elevational view;

FIG. 4 is a right side elevational view thereof, the left side elevational view being the same as the right side elevational view;

FIG. 5 is a bottom view thereof;

FIG. 6 is an end elevational view showing three pallets stagger-stacked with one another; and,

FIG. 7 is a side elevational showing three pallets stagger-stacked with one another.

The broken line showing of some elements in FIGS. 6 and 7 is included for the purpose of illustrating environment and forms no part of the claimed design.

1 Claim, 5 Drawing Sheets

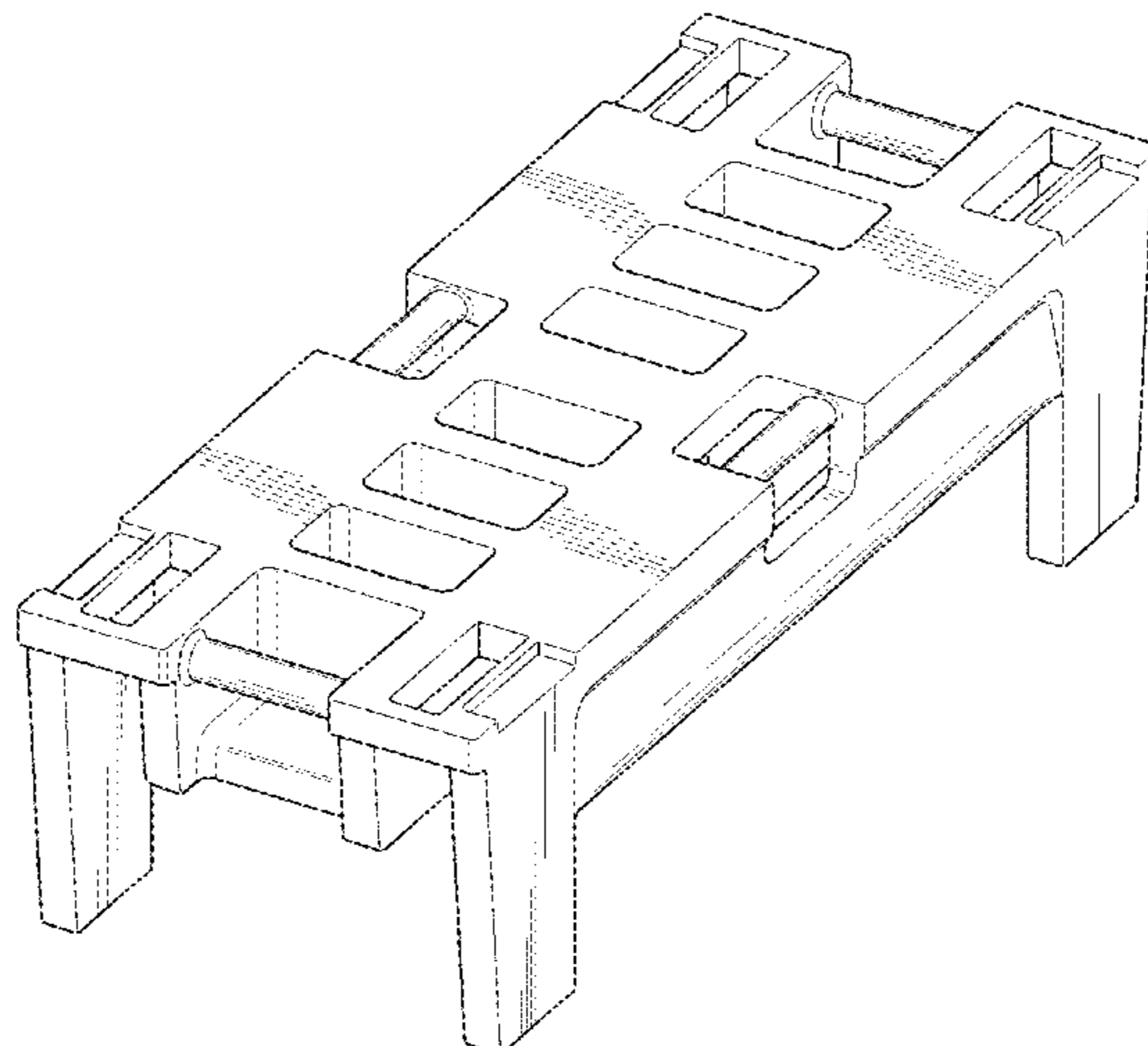
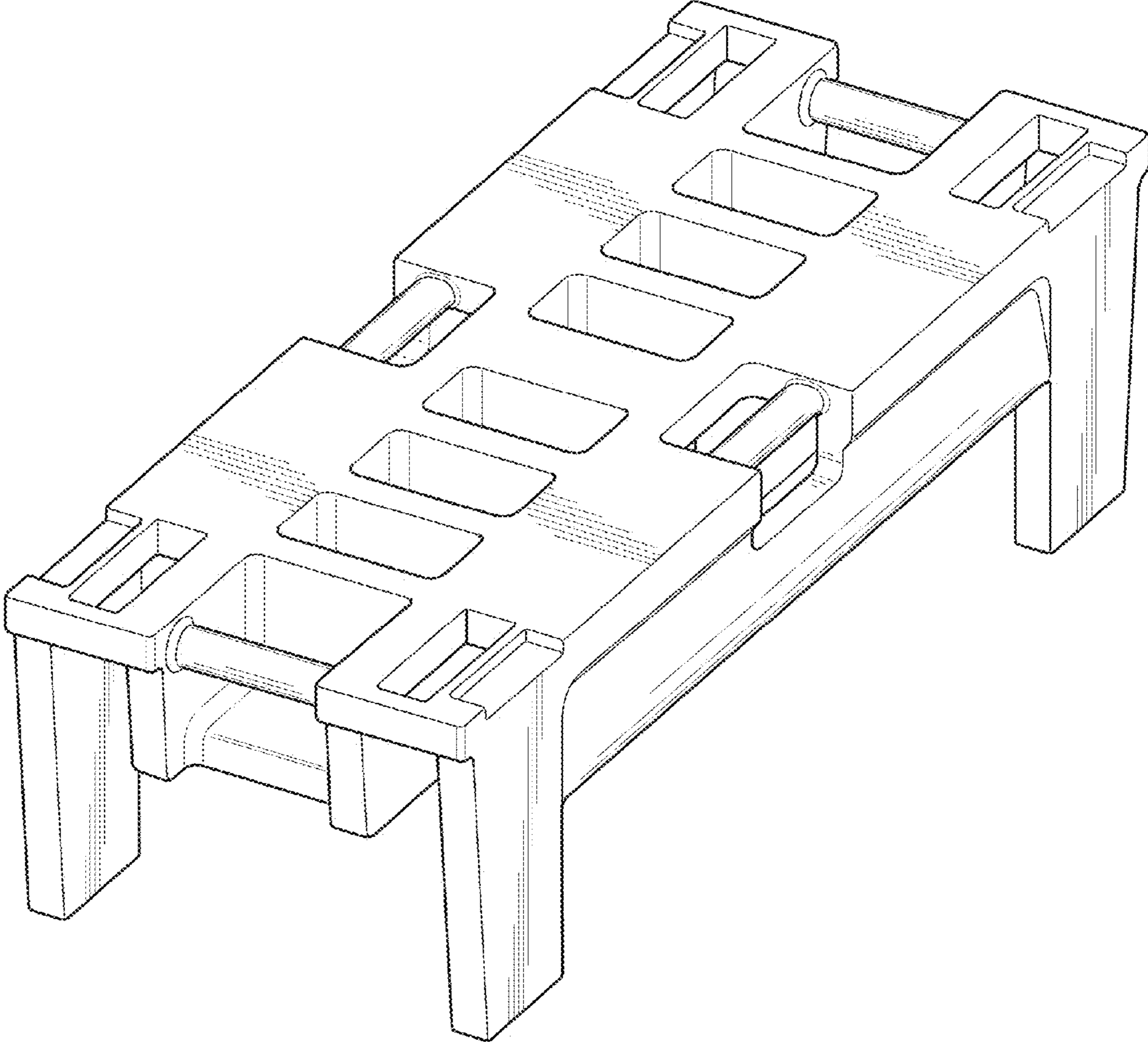


FIG. 1



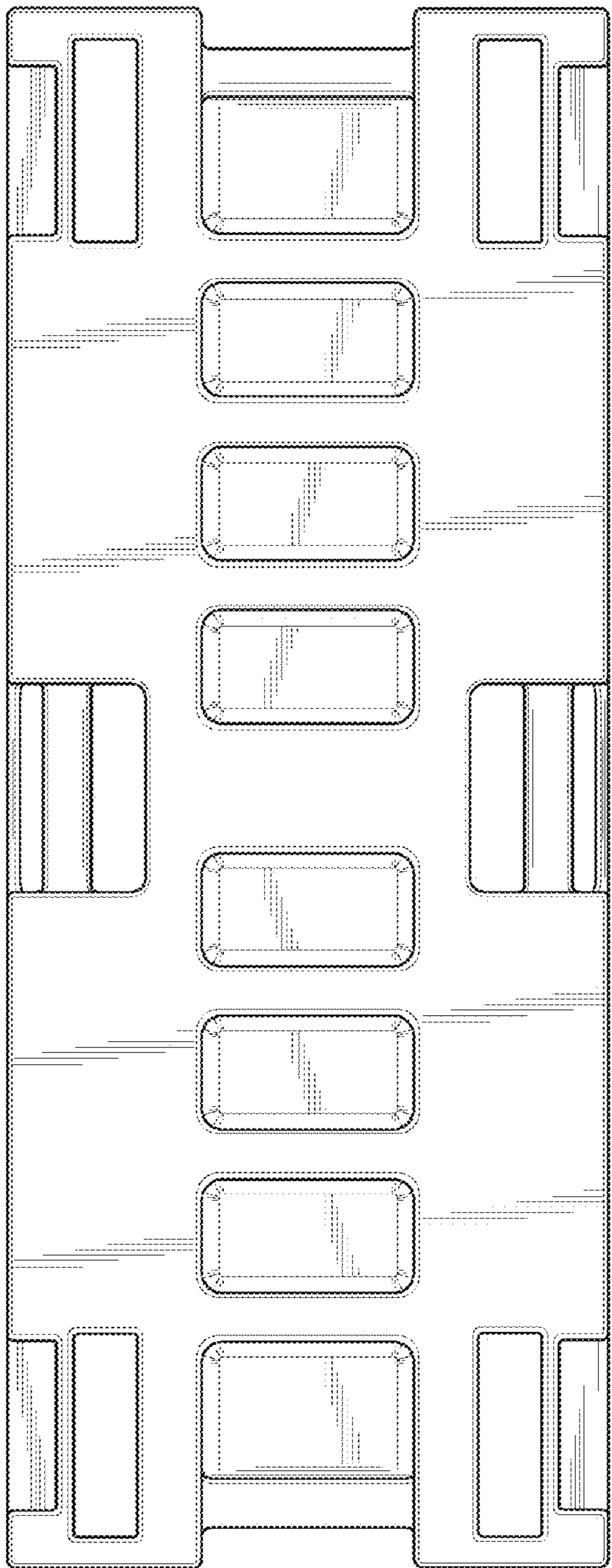


FIG. 2

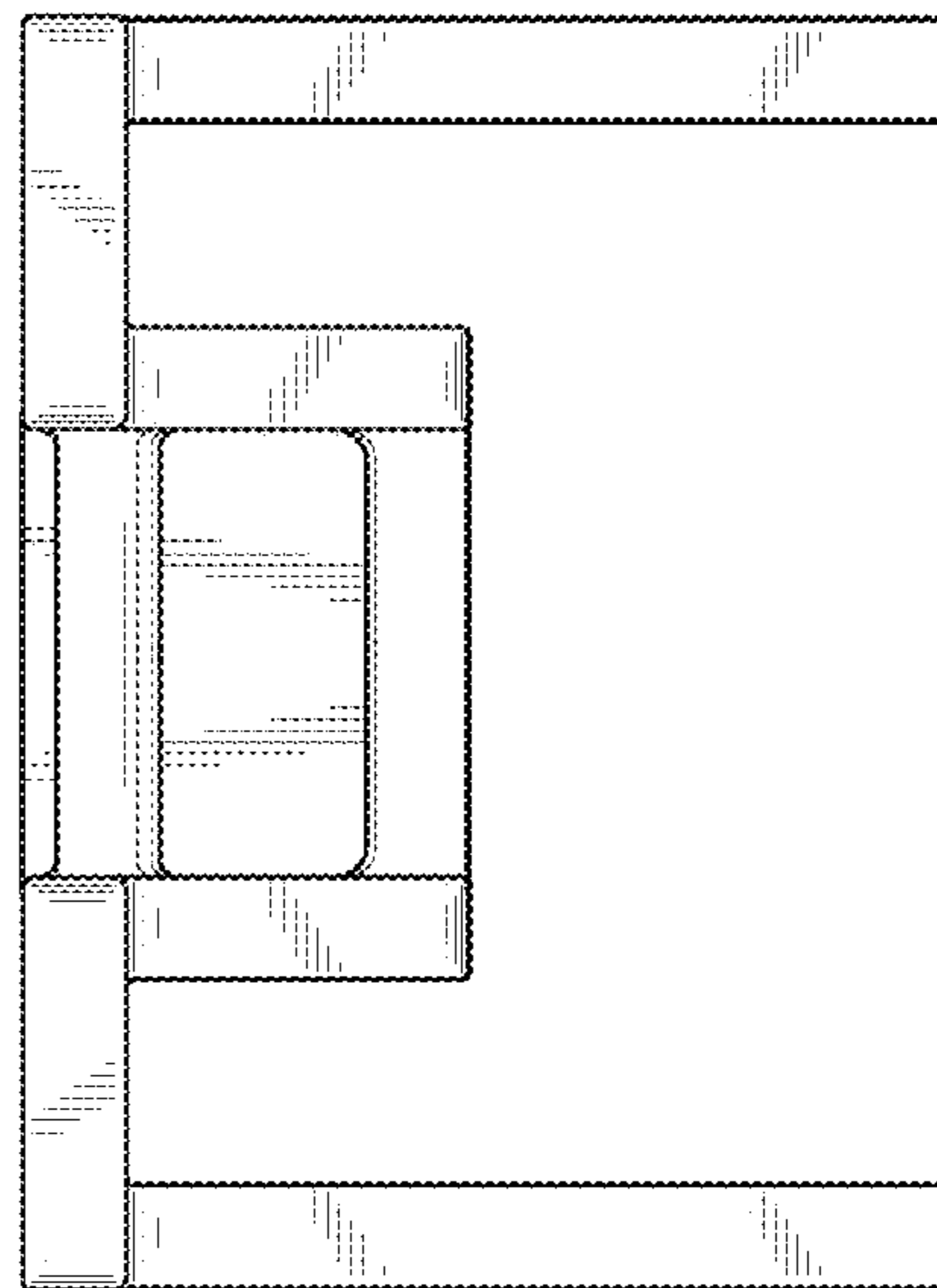


FIG. 3

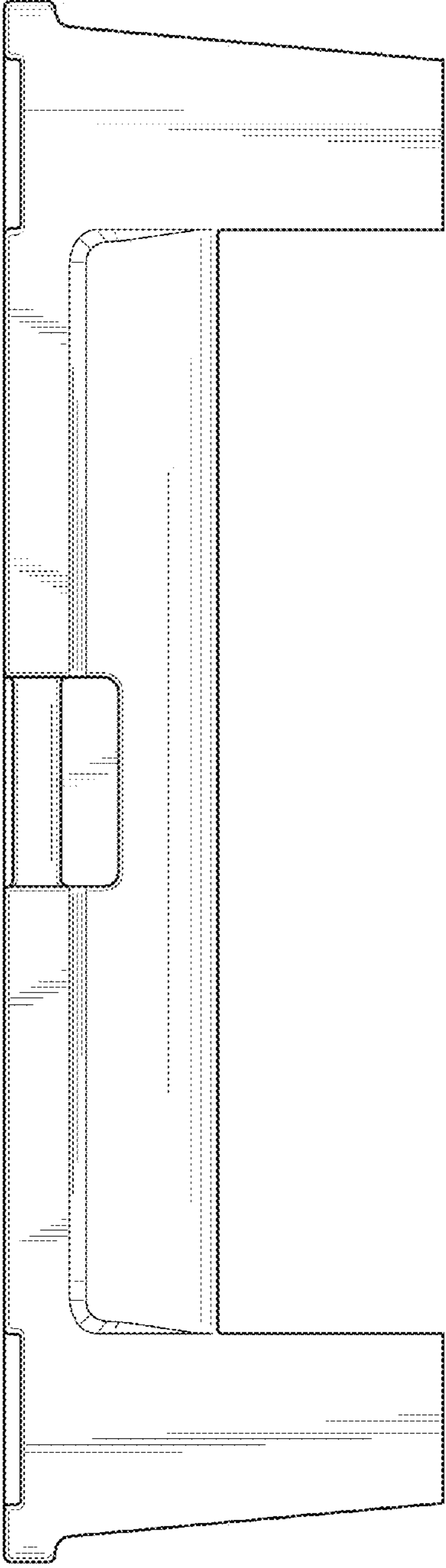
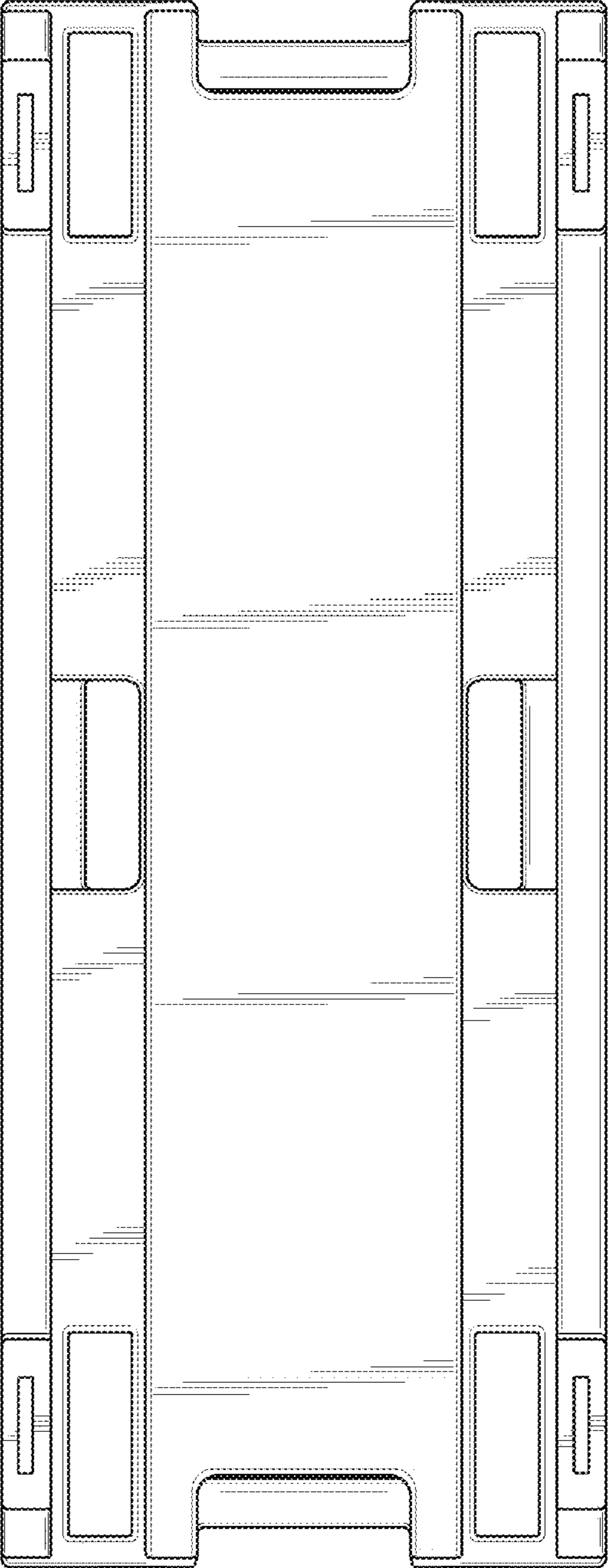


FIG. 4

FIG. 5



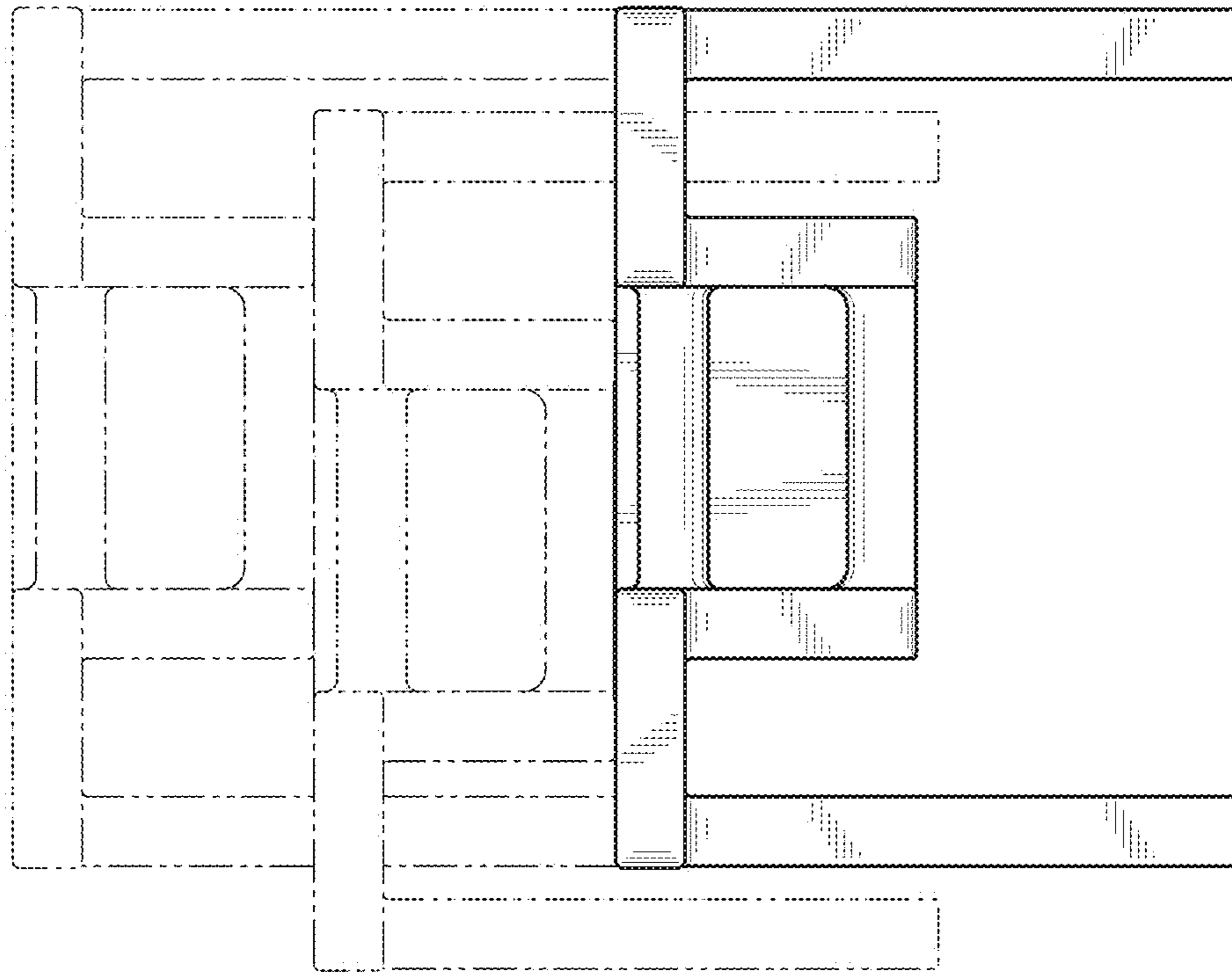


FIG. 6

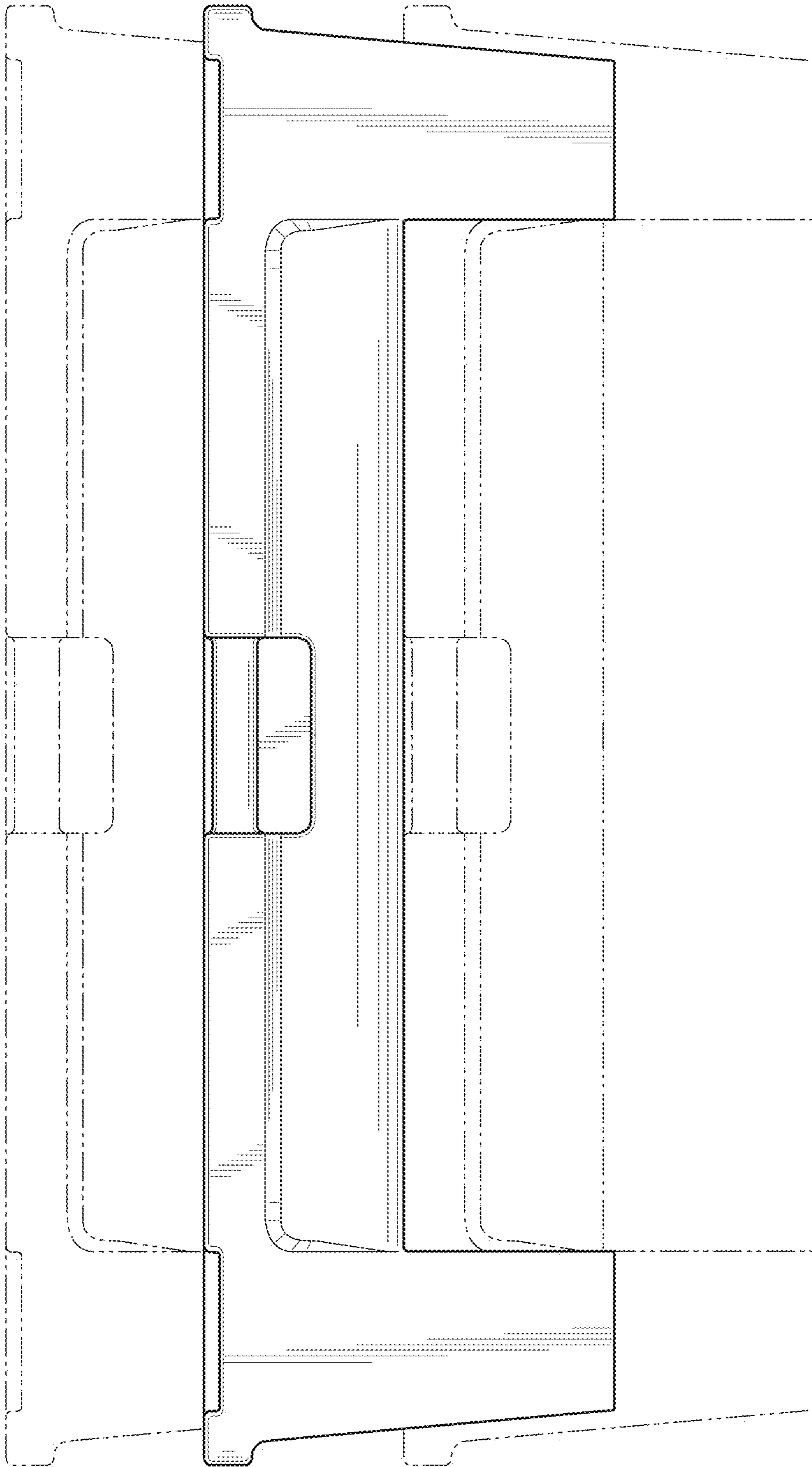


FIG. 7