



US00D729487S

(12) **United States Design Patent**
Dockx

(10) **Patent No.:** **US D729,487 S**

(45) **Date of Patent:** **** May 12, 2015**

(54) **EXTRUSION FOR CLIMBING MONORAIL**

(71) Applicant: **Sky Man International N.V.**, Boom (BE)

(72) Inventor: **Erik Dockx**, Boom (BE)

(73) Assignee: **Sky Man International N.V.**, Boom (BE)

(**) Term: **14 Years**

(21) Appl. No.: **29/451,074**

(22) Filed: **Mar. 27, 2013**

(30) **Foreign Application Priority Data**

Mar. 13, 2013 (EM) 002201830-001

(51) **LOC (10) Cl.** **12-05**

(52) **U.S. Cl.**
USPC **D34/35; D34/29**

(58) **Field of Classification Search**

CPC B65G 2201/02; B65G 2201/04; B65G 17/38; B65G 17/08; B65G 2812/02396; B22D 11/128; B28B 15/00; B28B 1/084
USPC D34/29, 35; 52/800.12, 465, 468, 469, 52/470; D25/119, 120, 121, 123, 124, D25/125; 198/851, 837, 838, 841; D8/349, D8/499

See application file for complete search history.

(56) **References Cited**

U.S. PATENT DOCUMENTS

2,303,976 A * 12/1942 Bawcutt et al. 193/2 R
D327,746 S * 7/1992 Valentin D25/124

D356,418 S * 3/1995 Makimura D34/35
D359,149 S * 6/1995 Nozaki D34/29
D398,029 S * 9/1998 Falls et al. D20/44
D464,783 S * 10/2002 Abbestam D34/29
D473,662 S * 4/2003 Shaw D25/119
D515,266 S * 2/2006 Moe D34/35
D584,025 S * 12/2008 Santacapita et al. D34/35
D584,472 S * 1/2009 Campbell et al. D34/29
D584,473 S * 1/2009 Campbell et al. D34/29
D584,474 S * 1/2009 Campbell et al. D34/29
D585,175 S * 1/2009 Campbell et al. D34/29
D655,884 S * 3/2012 Spies et al. D34/35
D660,544 S * 5/2012 Onayama D34/29
D670,474 S * 11/2012 Koch D34/35

* cited by examiner

Primary Examiner — Cynthia Ramirez

(74) *Attorney, Agent, or Firm* — Christie, Parker & Hale, LLP

(57) **CLAIM**

The ornamental design for an extrusion for climbing monorail, as shown and described.

DESCRIPTION

FIG. 1 is an end view of an extrusion for climbing monorail showing my new design; and, FIG. 2 is a perspective view thereof. The broken lines on the extrusion indicate that no specific length is claimed.

1 Claim, 1 Drawing Sheet

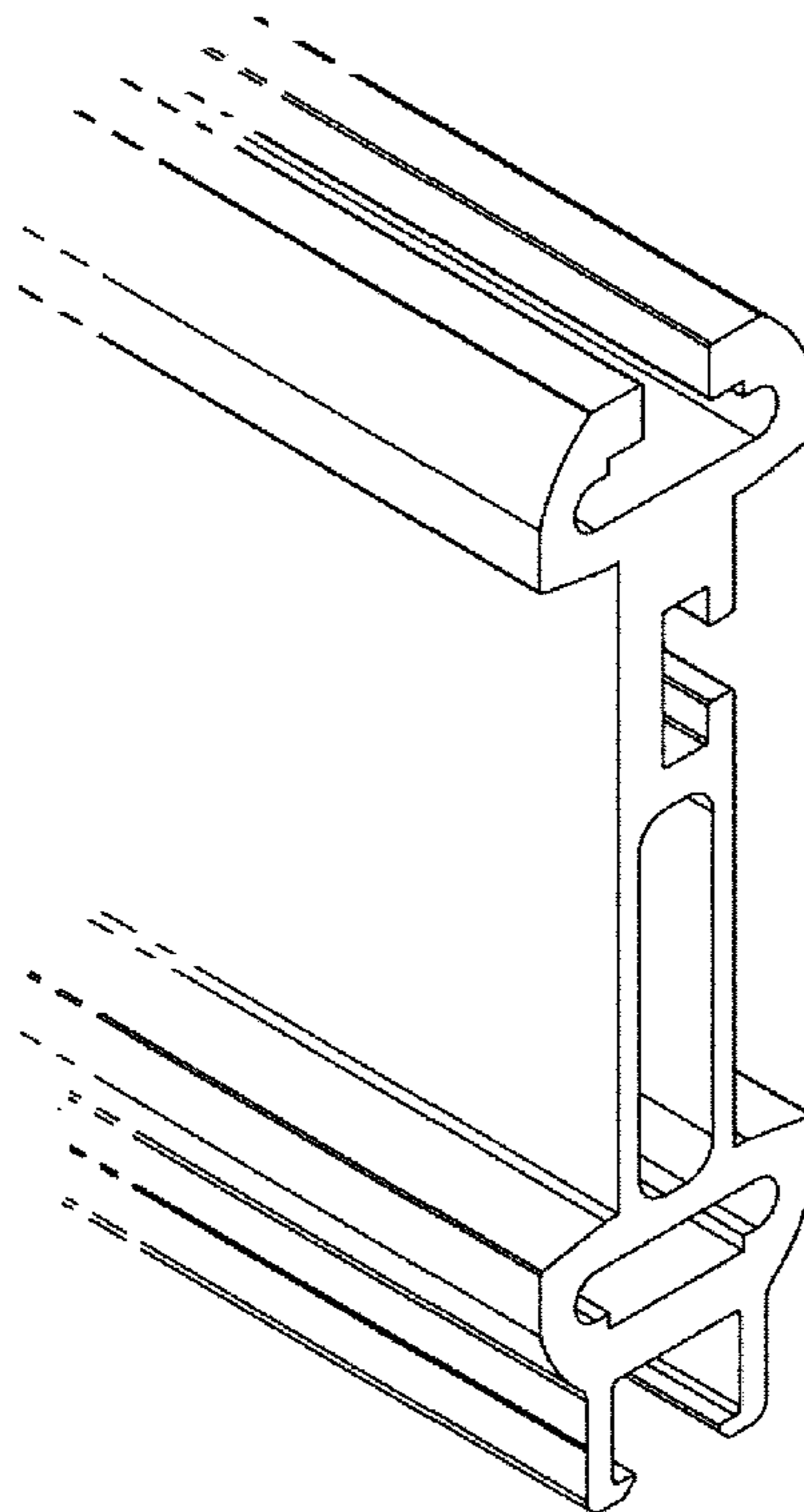


FIG. 1

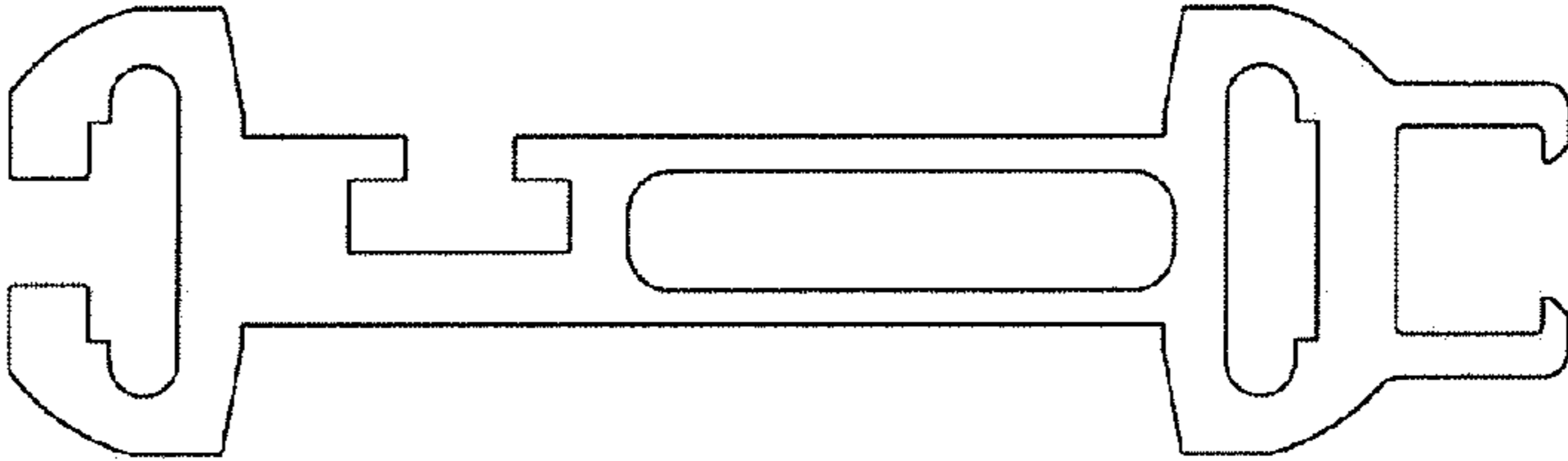


FIG. 2

