



US00D729485S

(12) **United States Design Patent**  
**Yang et al.**

(10) **Patent No.:** **US D729,485 S**

(45) **Date of Patent:** **\*\* May 12, 2015**

(54) **DUAL RECYCLER**

(71) Applicant: **Simplehuman LLC**, Torrance, CA (US)

(72) Inventors: **Frank Yang**, Rancho Palos Verdes, CA (US); **Di-Fong Chang**, Torrance, CA (US); **Myk Lum**, Irvine, CA (US); **Adam Wade**, Rancho Santa Margarita, CA (US); **Helen Miller**, Diamond Bar, CA (US)

(73) Assignee: **Simplehuman LLC**, Torrance, CA (US)

(\*\*) Term: **14 Years**

(21) Appl. No.: **29/464,988**

(22) Filed: **Aug. 22, 2013**

(51) **LOC (10) Cl.** ..... **09-09**

(52) **U.S. Cl.**  
USPC ..... **D34/1**

(58) **Field of Classification Search**  
USPC ..... D34/1-11; 220/908, 908.1, 909, 495.09  
See application file for complete search history.

(56) **References Cited**

**U.S. PATENT DOCUMENTS**

5,072,852 A \* 12/1991 Smith et al. .... 220/495.09  
5,082,139 A \* 1/1992 Quam ..... 220/530

D335,730 S \* 5/1993 Tessner et al. .... D34/7  
D458,429 S \* 6/2002 Lenard ..... D34/1  
D548,915 S \* 8/2007 Yang et al. .... D34/6  
D617,968 S \* 6/2010 Andresen ..... D34/1  
D684,332 S \* 6/2013 Gollob ..... D34/1  
D717,511 S \* 11/2014 Behar et al. .... D34/1

\* cited by examiner

*Primary Examiner* — Cynthia Ramirez

(74) *Attorney, Agent, or Firm* — Liu & Liu

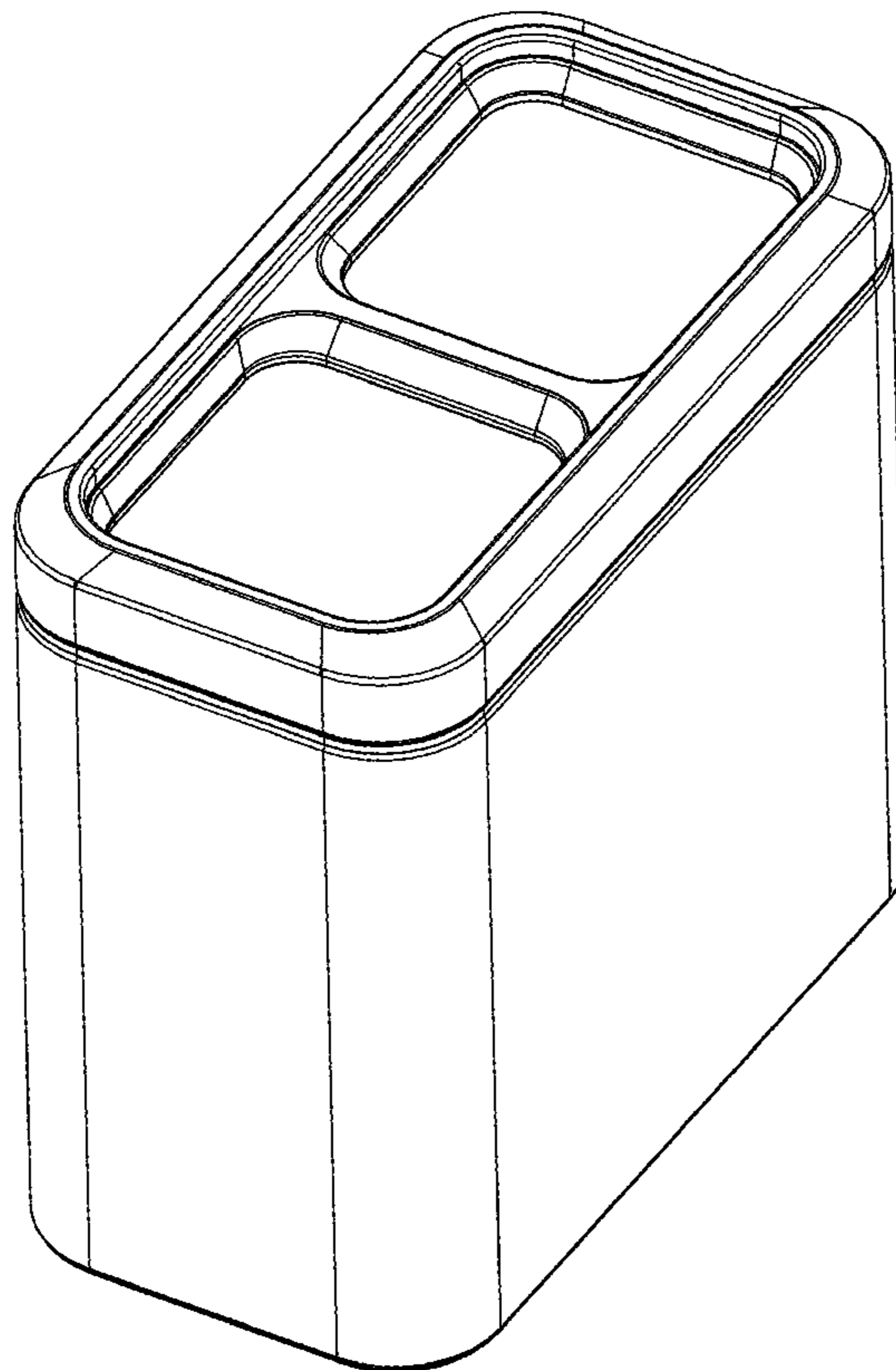
(57) **CLAIM**

The ornamental design for a dual recycler, as shown and described.

**DESCRIPTION**

FIG. 1 is a front isometric view if the dual recycler showing the new design;  
FIG. 2 is a front view thereof, the rear view being a mirror image thereof;  
FIG. 3 is a right side view thereof, the left side being a mirror image thereof;  
FIG. 4 is a top plan view thereof; and,  
FIG. 5 is a bottom view thereof.

**1 Claim, 5 Drawing Sheets**



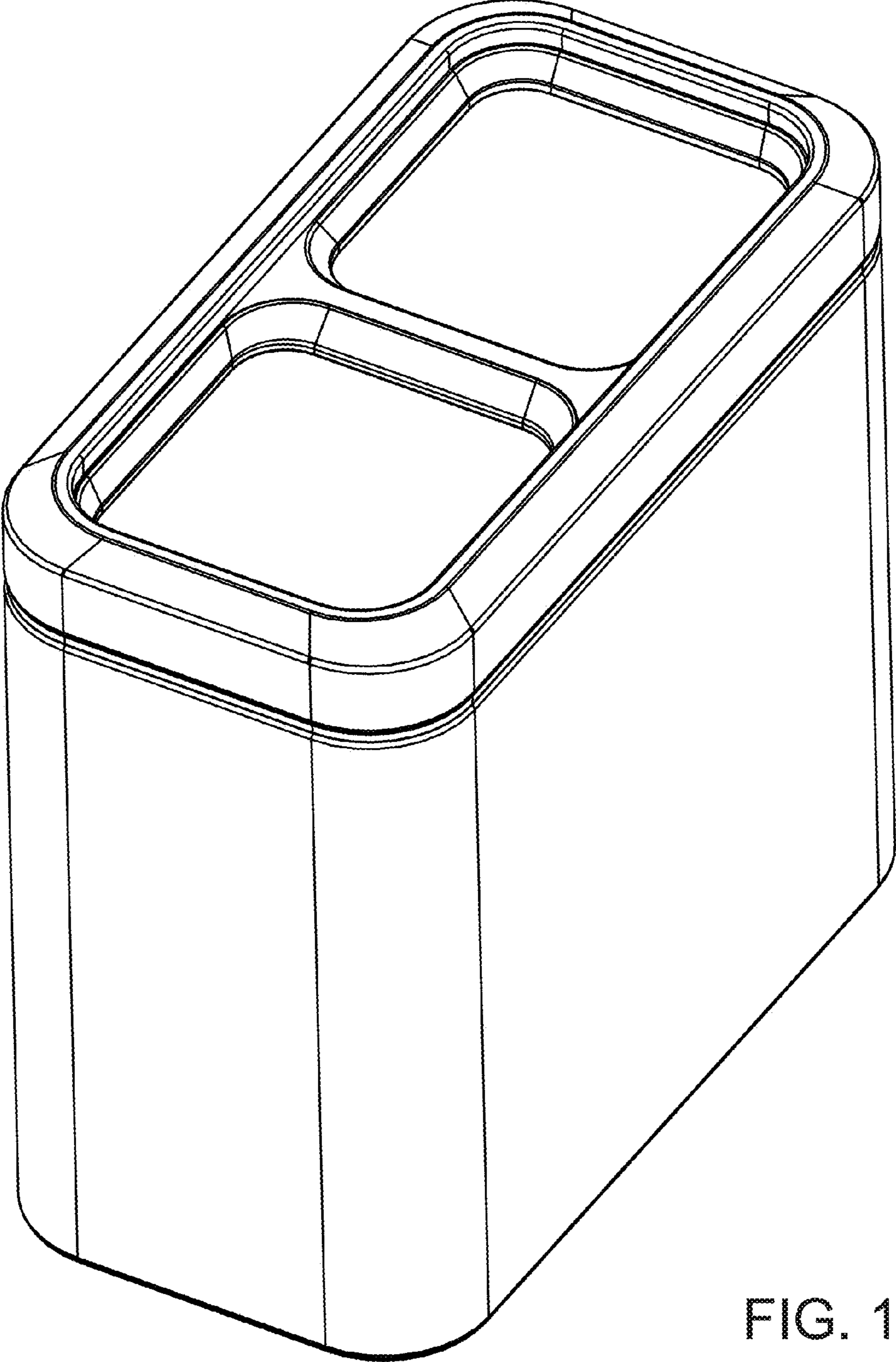


FIG. 1

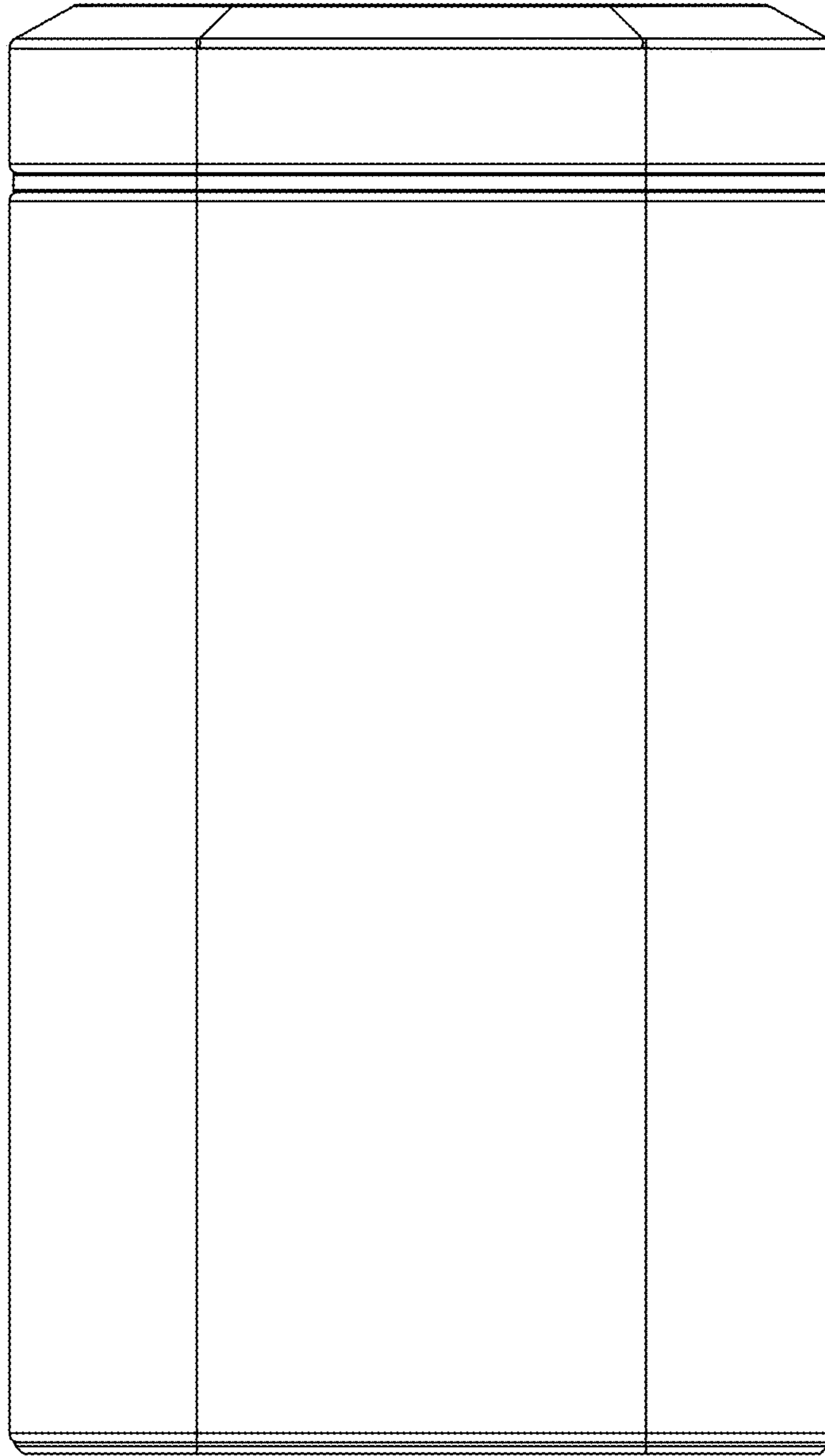


FIG. 2

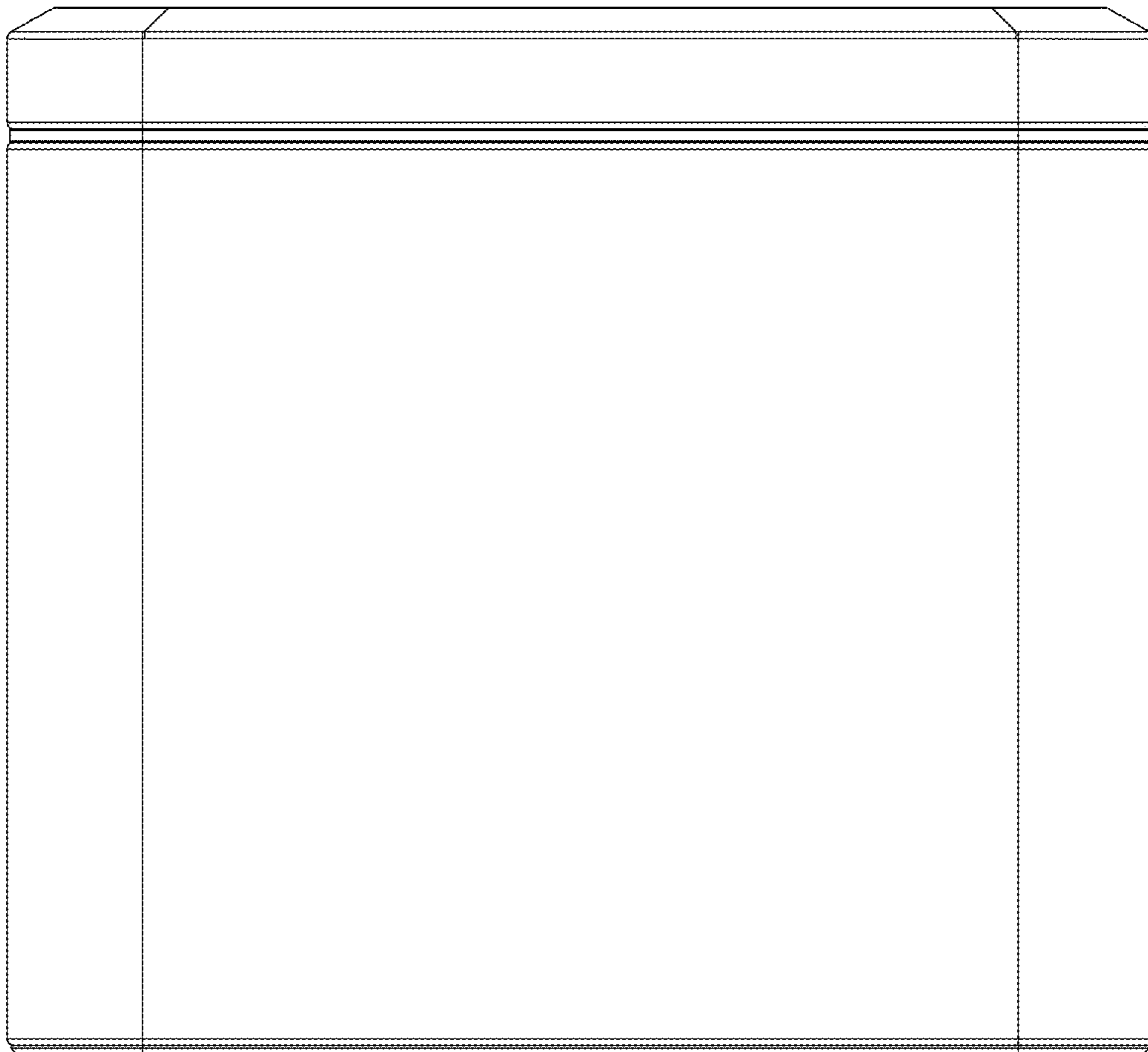


FIG. 3

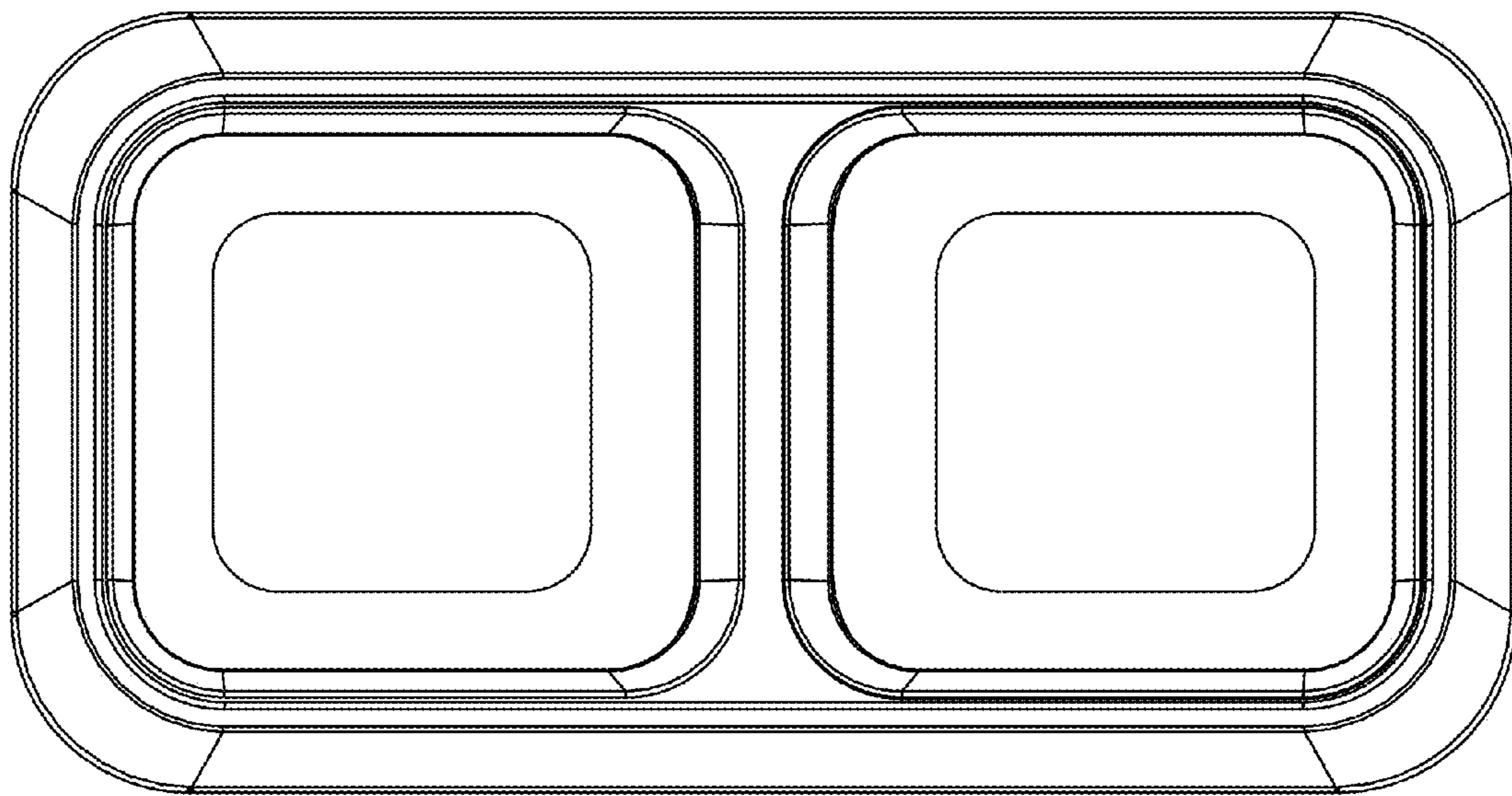


FIG. 4

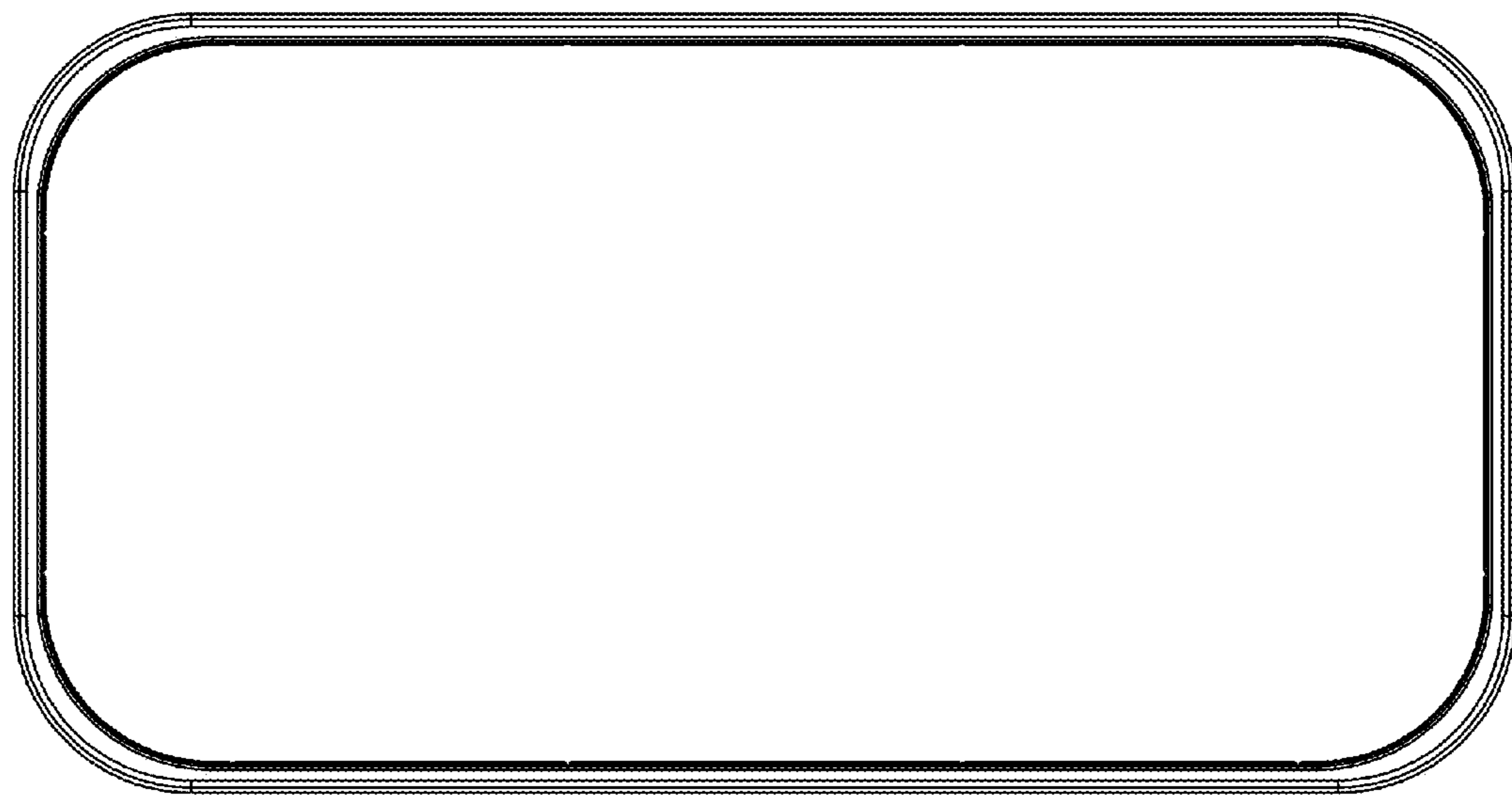


FIG. 5