

US00D729484S

(12) **United States Design Patent**
Arvinte et al.

(10) **Patent No.:** **US D729,484 S**

(45) **Date of Patent:** **** May 12, 2015**

(54) **PAINT LINER**

(71) Applicant: **A. Richard Tools Co./Outils A. Richard Co.**, Berthierville (CA)

(72) Inventors: **Roméo Arvinte**, Laval-des-Rapides (CA); **François Panfili**, Berthierville (CA)

(73) Assignee: **A. Richard Tools Co./Outils A. Richard Co.**, Berthierville, Quebec (CA)

(**) Term: **14 Years**

(21) Appl. No.: **29/493,737**

(22) Filed: **Jun. 12, 2014**

(51) **LOC (10) Cl.** **07-07**

(52) **U.S. Cl.**
USPC **D32/54**

(58) **Field of Classification Search**
CPC B65D 25/14
USPC D32/53-54; 15/260-264, 257.05, 15/257.06; 220/904, 570, 495.01, 495.02
See application file for complete search history.

(56) **References Cited**

U.S. PATENT DOCUMENTS

6,996,872	B2 *	2/2006	Tennant	15/257.05
D583,521	S *	12/2008	Arvinte et al.	D32/53.1
7,963,418	B2 *	6/2011	Arvinte et al.	220/495.02
D654,644	S *	2/2012	Davidson	D32/54
D694,976	S *	12/2013	Lambertson et al.	D32/53

* cited by examiner

Primary Examiner — Robin V Webster

(74) *Attorney, Agent, or Firm* — Brinks Gilson & Lione

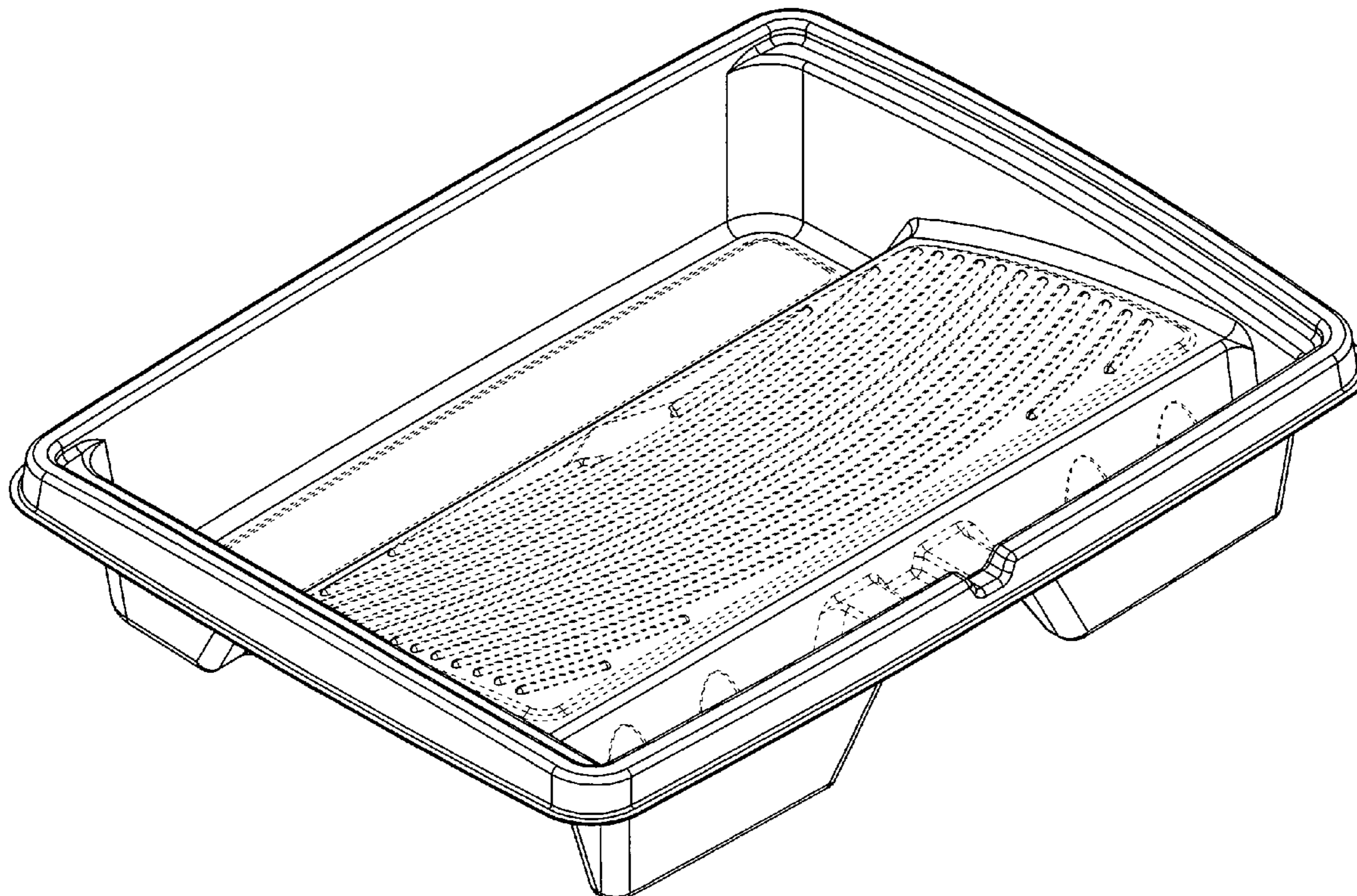
(57) **CLAIM**

The ornamental design for a paint liner, as shown and described.

DESCRIPTION

FIG. 1 is a top perspective view of the paint liner.
FIG. 2 is another top perspective view thereof.
FIG. 3 is a front view thereof.
FIG. 4 is a rear view thereof.
FIG. 5 is a top view thereof.
FIG. 6 is a bottom view thereof.
FIG. 7 is a left side view thereof; and,
FIG. 8 is a right side view thereof.
The broken line showing is included for the purpose of illustrating and forms no part of the claimed design.

1 Claim, 6 Drawing Sheets



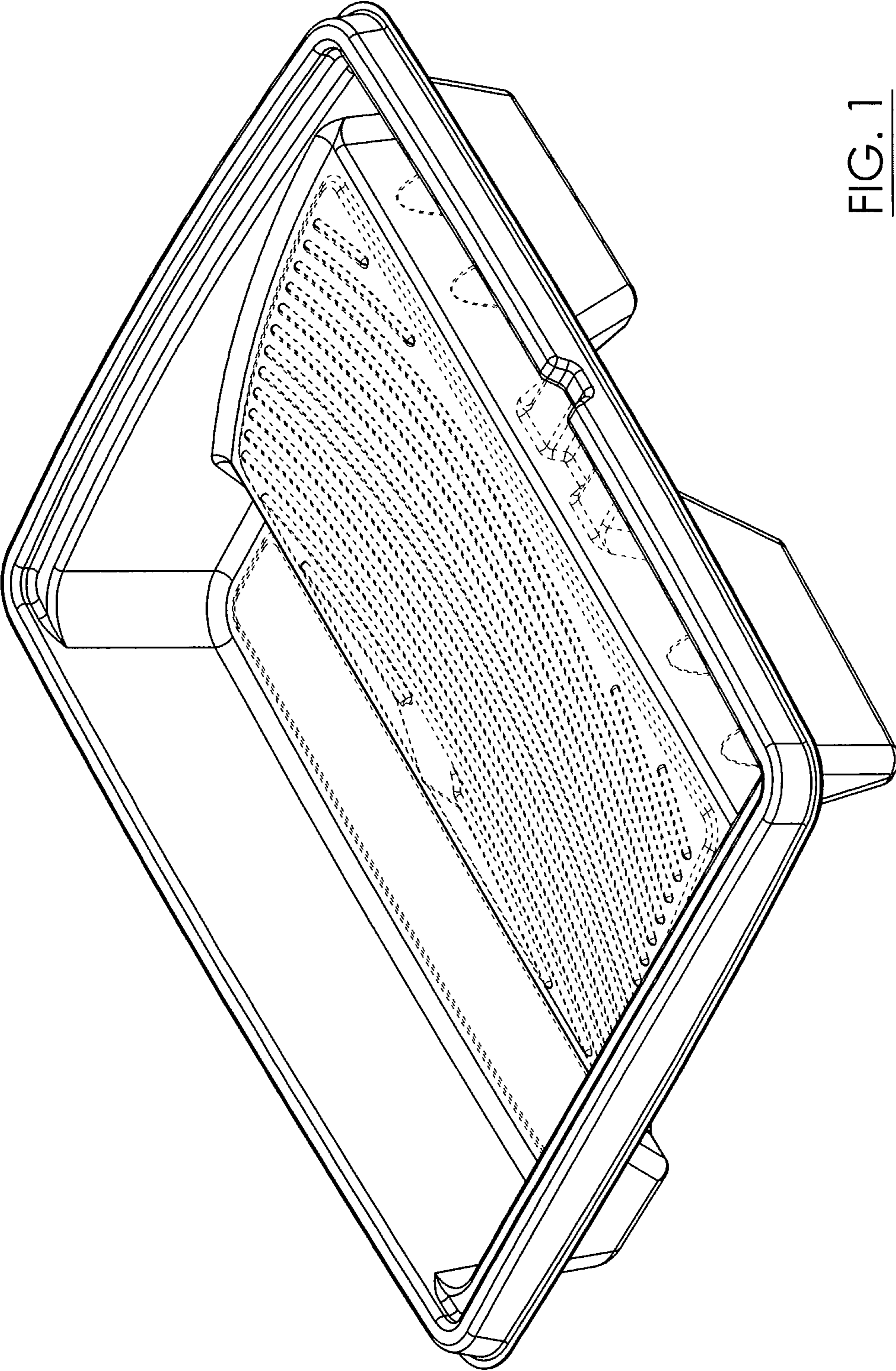


FIG. 1

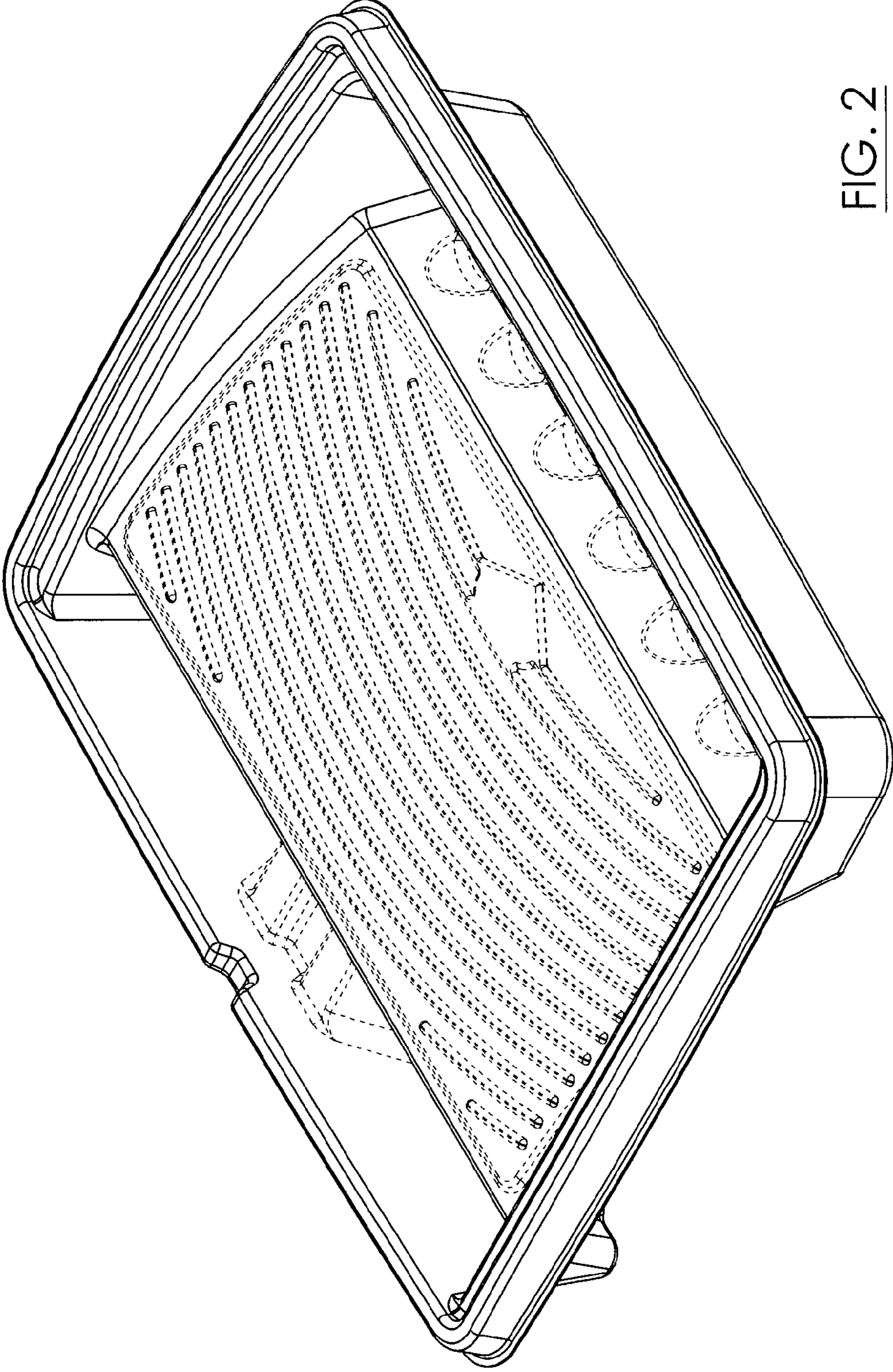


FIG. 2

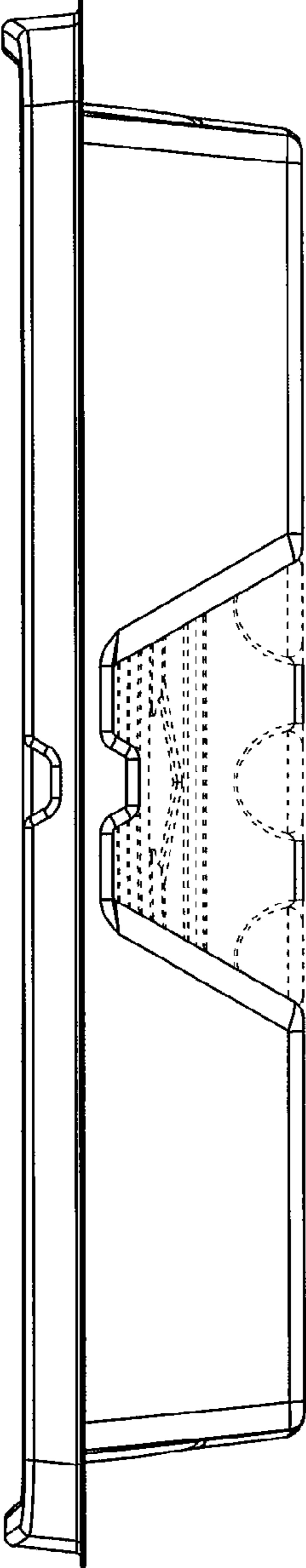


FIG. 3

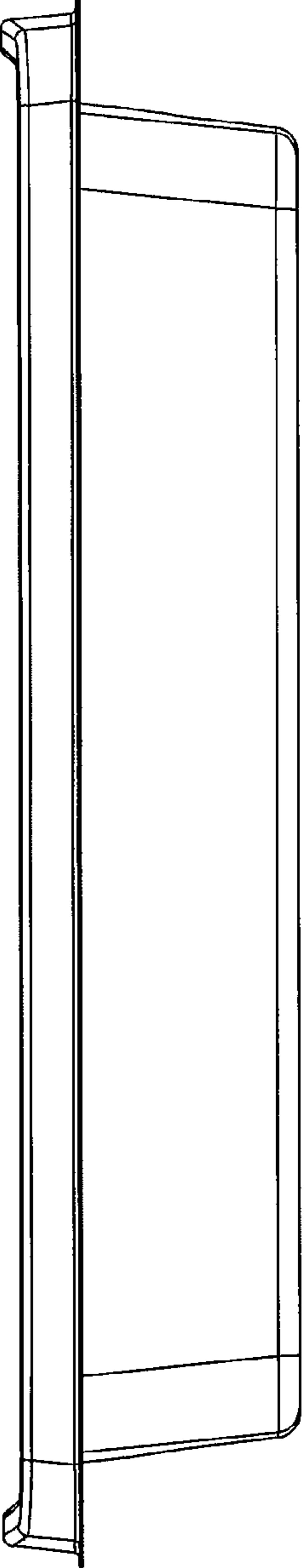


FIG. 4

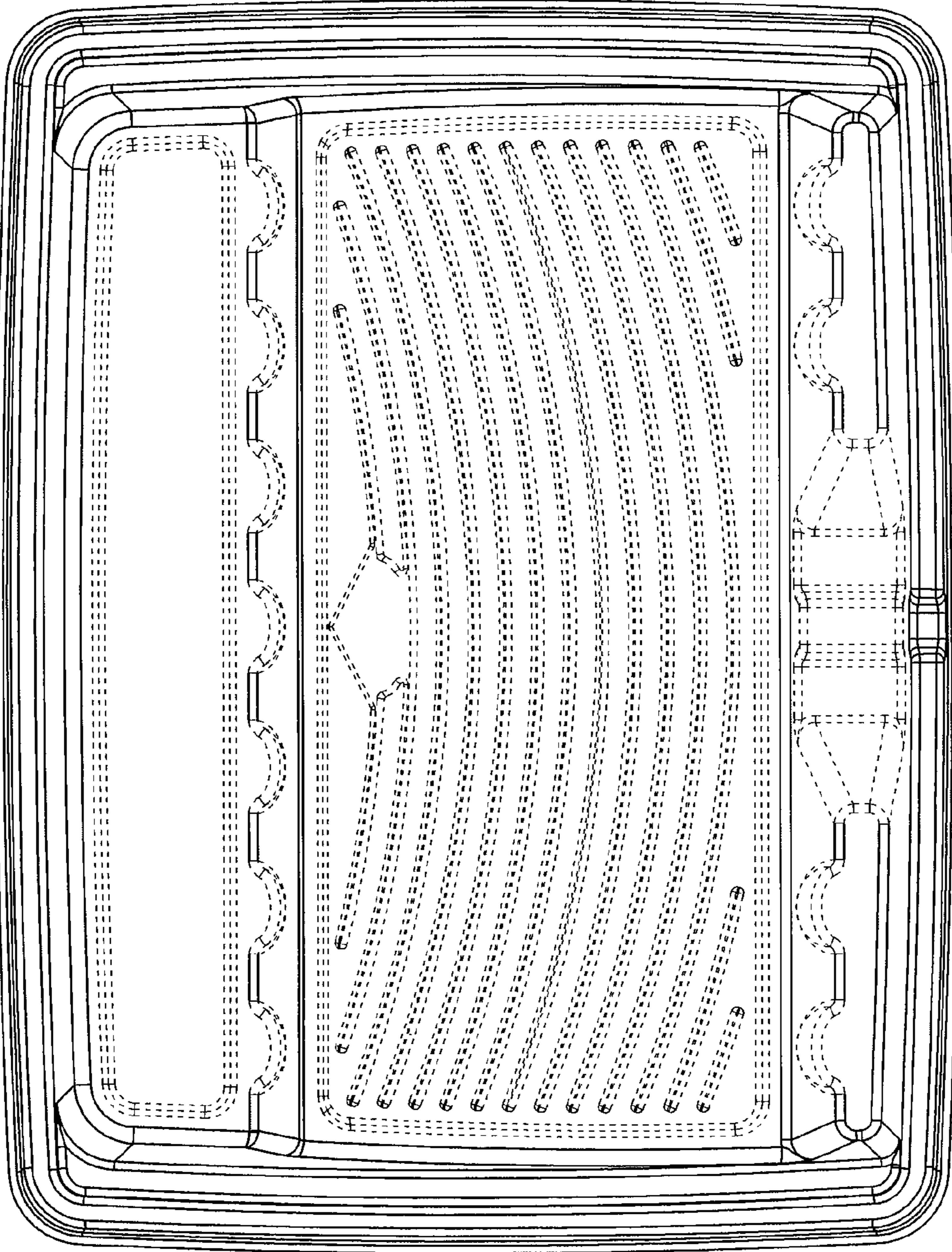


FIG. 5

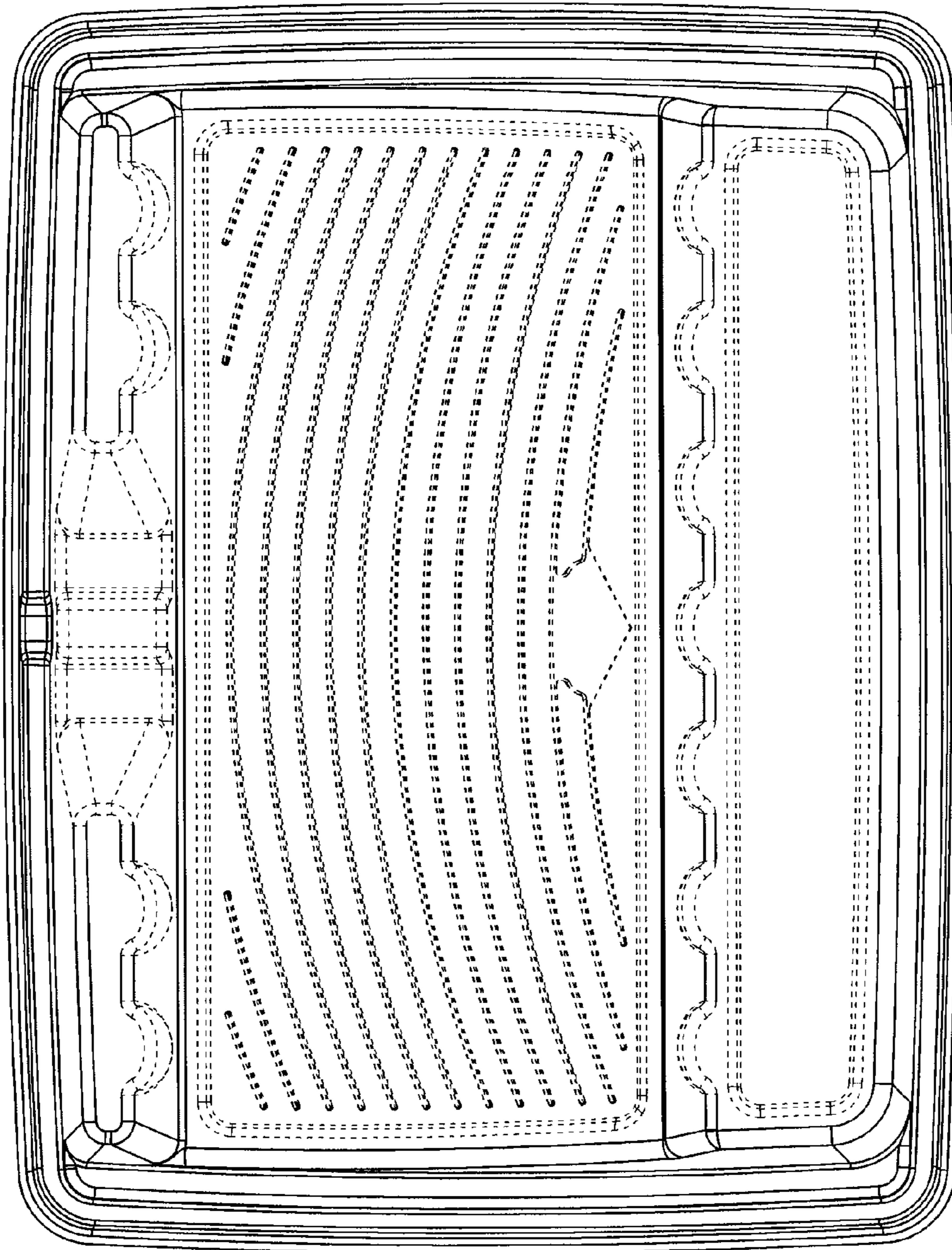


FIG. 6

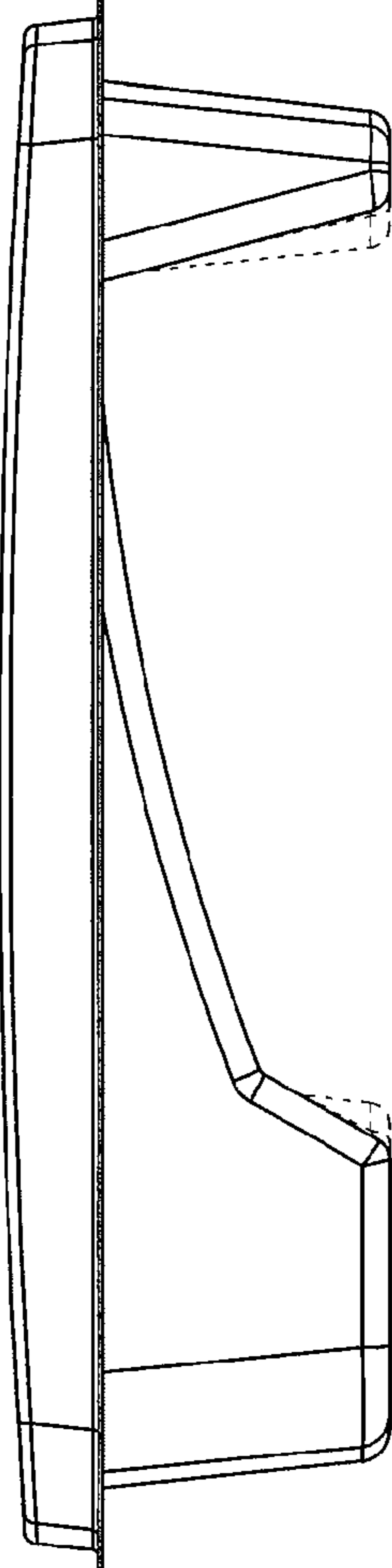


FIG. 7

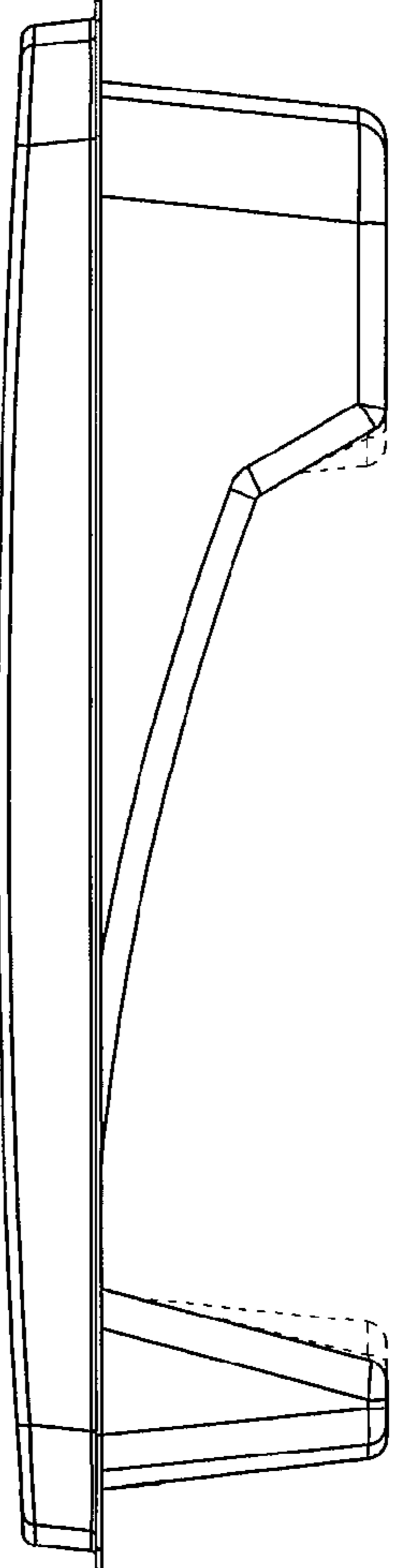


FIG. 8