



US00D729483S

(12) **United States Design Patent**  
**Kent**

(10) **Patent No.:** **US D729,483 S**

(45) **Date of Patent:** **\*\* May 12, 2015**

(54) **POUR SPOUT FOR A BUCKET**

(71) Applicant: **David D. Kent**, Santa Ana, CA (US)

(72) Inventor: **David D. Kent**, Santa Ana, CA (US)

(\*\*) Term: **14 Years**

(21) Appl. No.: **29/482,453**

(22) Filed: **Feb. 18, 2014**

(51) **LOC (10) Cl.** ..... **07-07**

(52) **U.S. Cl.**  
USPC ..... **D32/54**

(58) **Field of Classification Search**  
USPC ..... D32/53, 53.1, 54; 222/570;  
220/694-702  
See application file for complete search history.

(56) **References Cited**

**U.S. PATENT DOCUMENTS**

2,185,413	A *	1/1940	Masterson	.....	222/567
2,767,891	A *	10/1956	Beadles	.....	222/570
2,904,208	A *	9/1959	Woolfolk	.....	220/4.03
2,919,828	A *	1/1960	Lemke	.....	220/700
3,074,604	A *	1/1963	Baroud	.....	222/569
3,221,955	A *	12/1965	Banaszak et al.	.....	222/570
3,853,249	A *	12/1974	Weir et al.	.....	222/570

D254,482	S *	3/1980	Bell	.....	D9/435
4,369,890	A *	1/1983	Bennett	.....	220/733
4,907,714	A *	3/1990	Gatz	.....	222/570
5,195,662	A *	3/1993	Neff	.....	222/108
6,135,310	A *	10/2000	Svehaug	.....	220/700
D476,787	S *	7/2003	Templeton	.....	D32/54
8,291,543	B2 *	10/2012	McCoy et al.	.....	15/257.1

\* cited by examiner

*Primary Examiner* — Robin V Webster

(74) *Attorney, Agent, or Firm* — Palomar Patent; CalifTervo

(57) **CLAIM**

The ornamental design for a pour spout for a bucket, as shown and described.

**DESCRIPTION**

FIG. 1 is a perspective view of a pour spout for a bucket showing my new design as attached to a bucket; it being understood that the broken lines are for illustrative purposes only and form no part of the claimed design.

FIG. 2 is an outer side view of the design of the pour spout for a bucket.

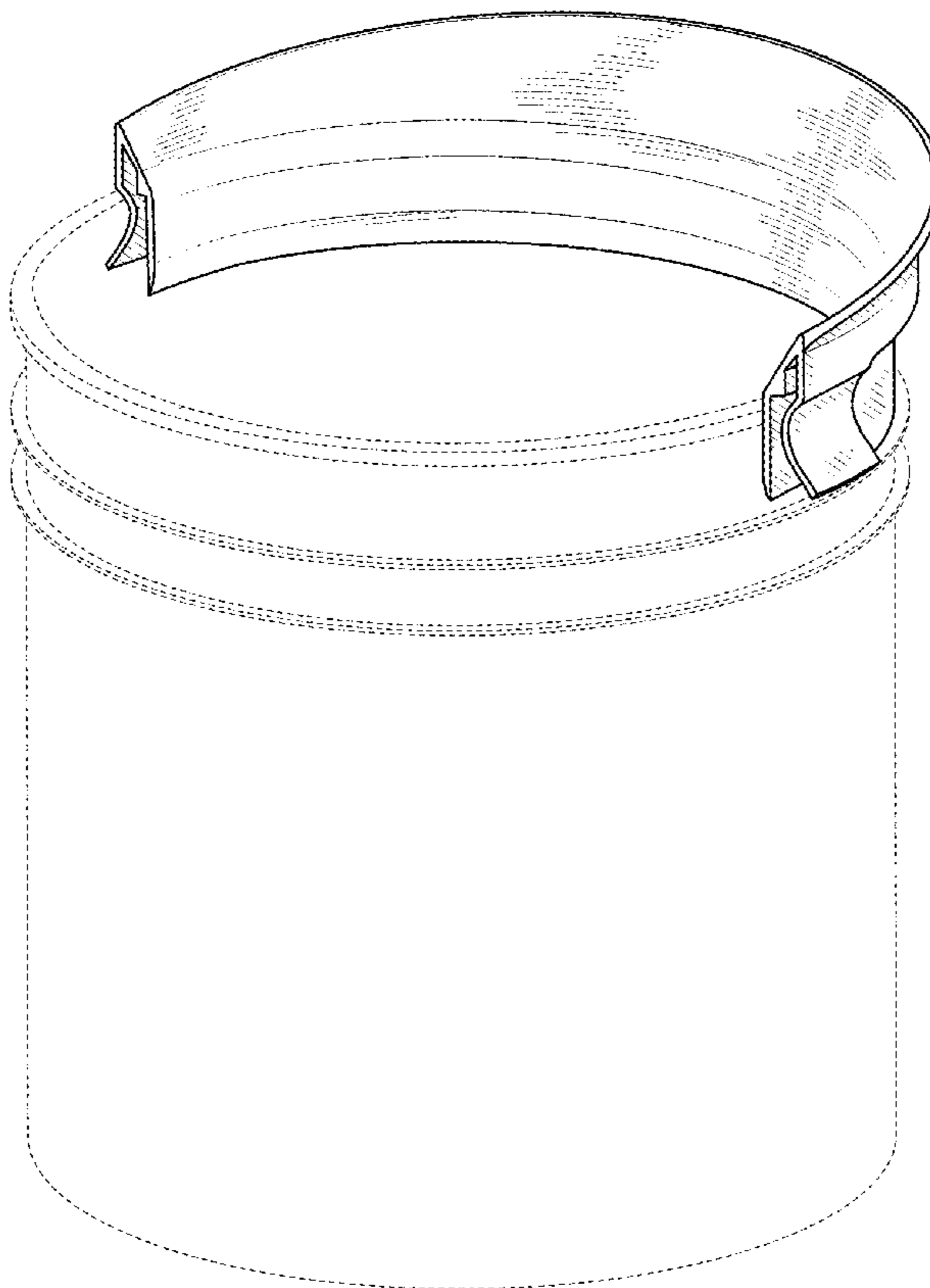
FIG. 3 is an inner side view.

FIG. 4 is a left side view; the right side being a mirror image.

FIG. 5 is a front view; and,

FIG. 6 is a rear view.

**1 Claim, 3 Drawing Sheets**



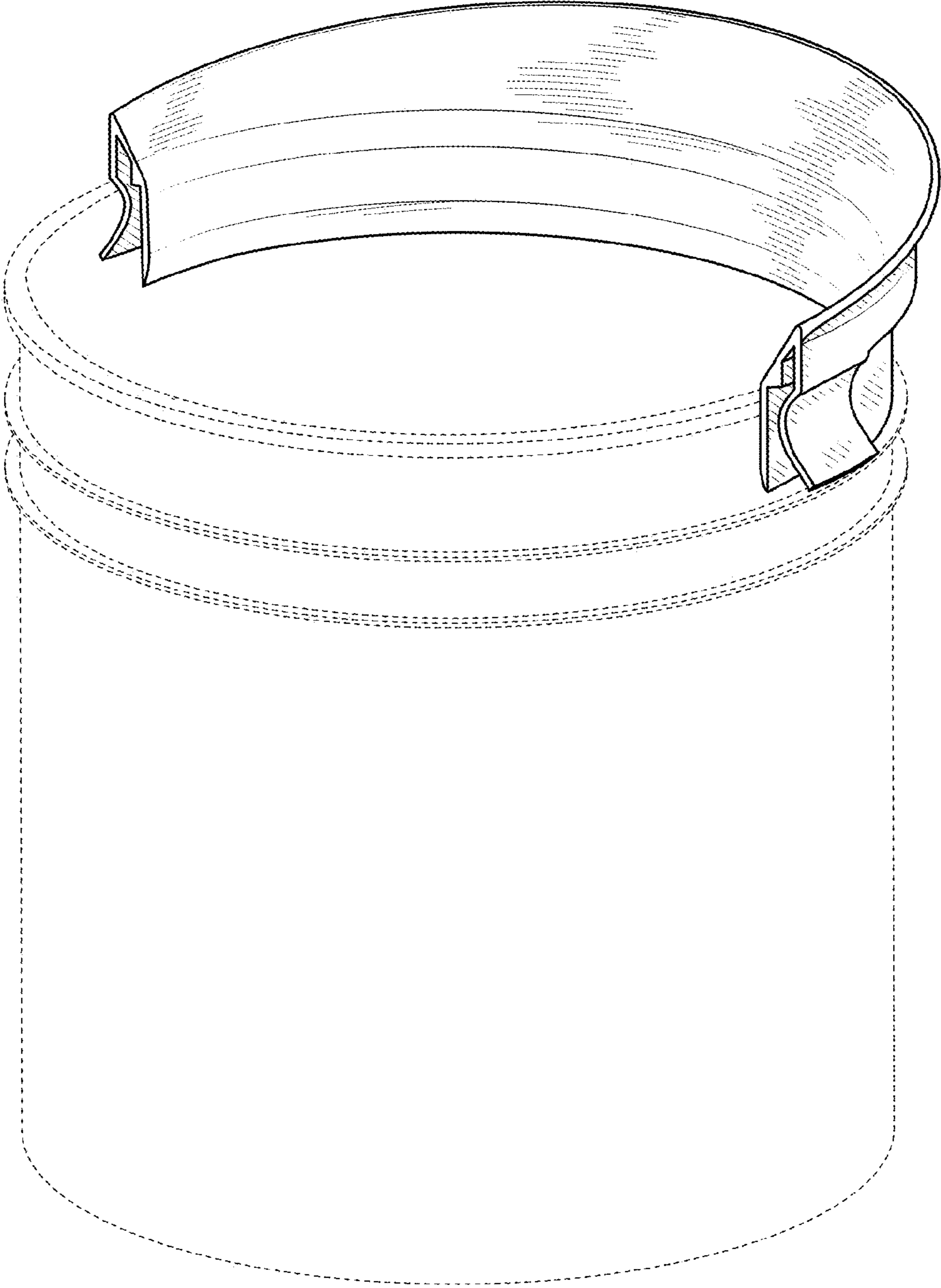


FIG. 1

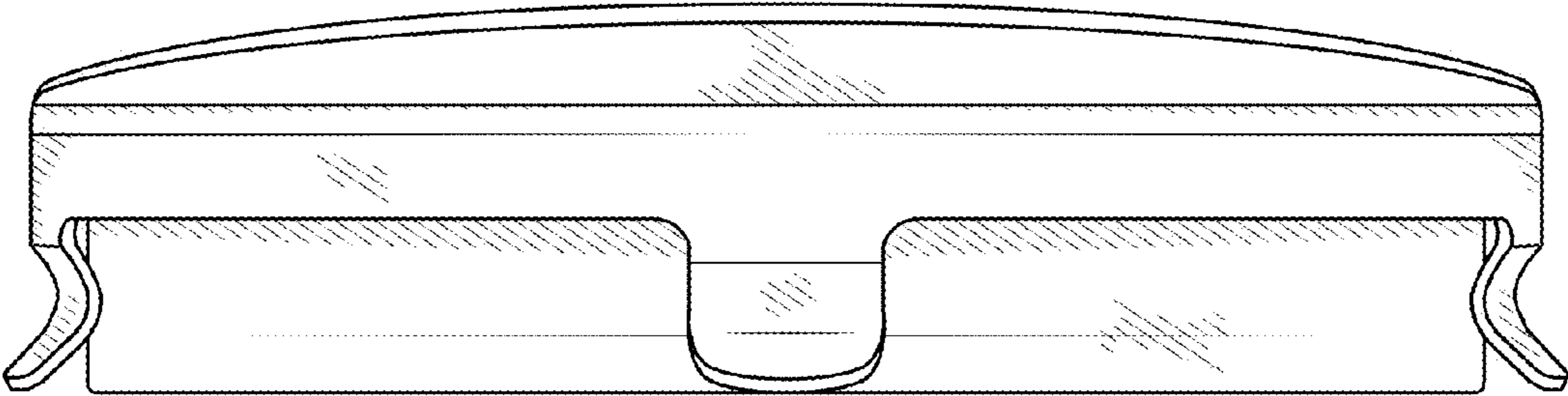


FIG. 2

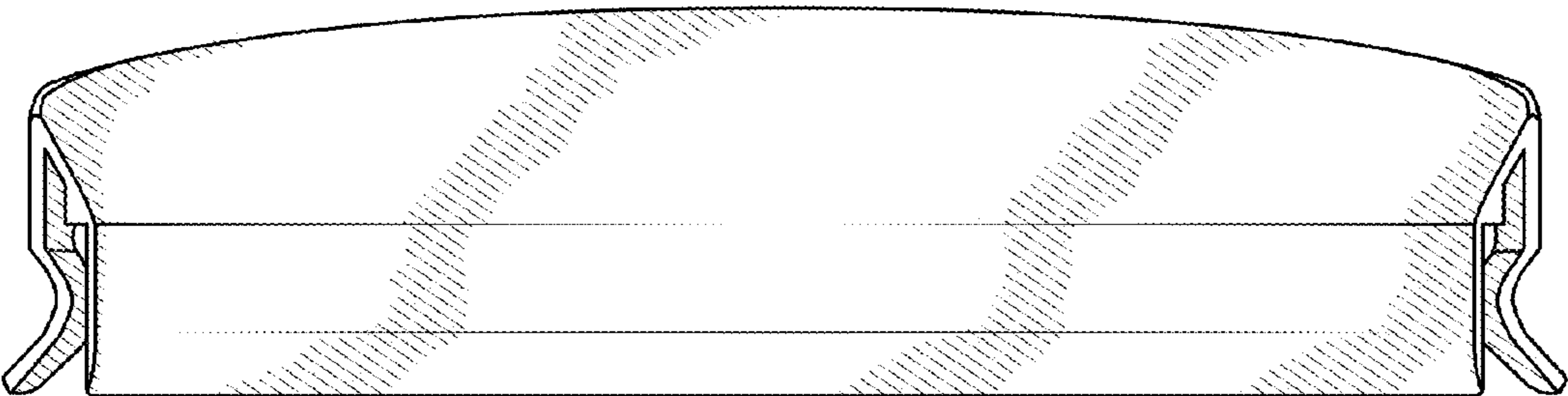


FIG. 3

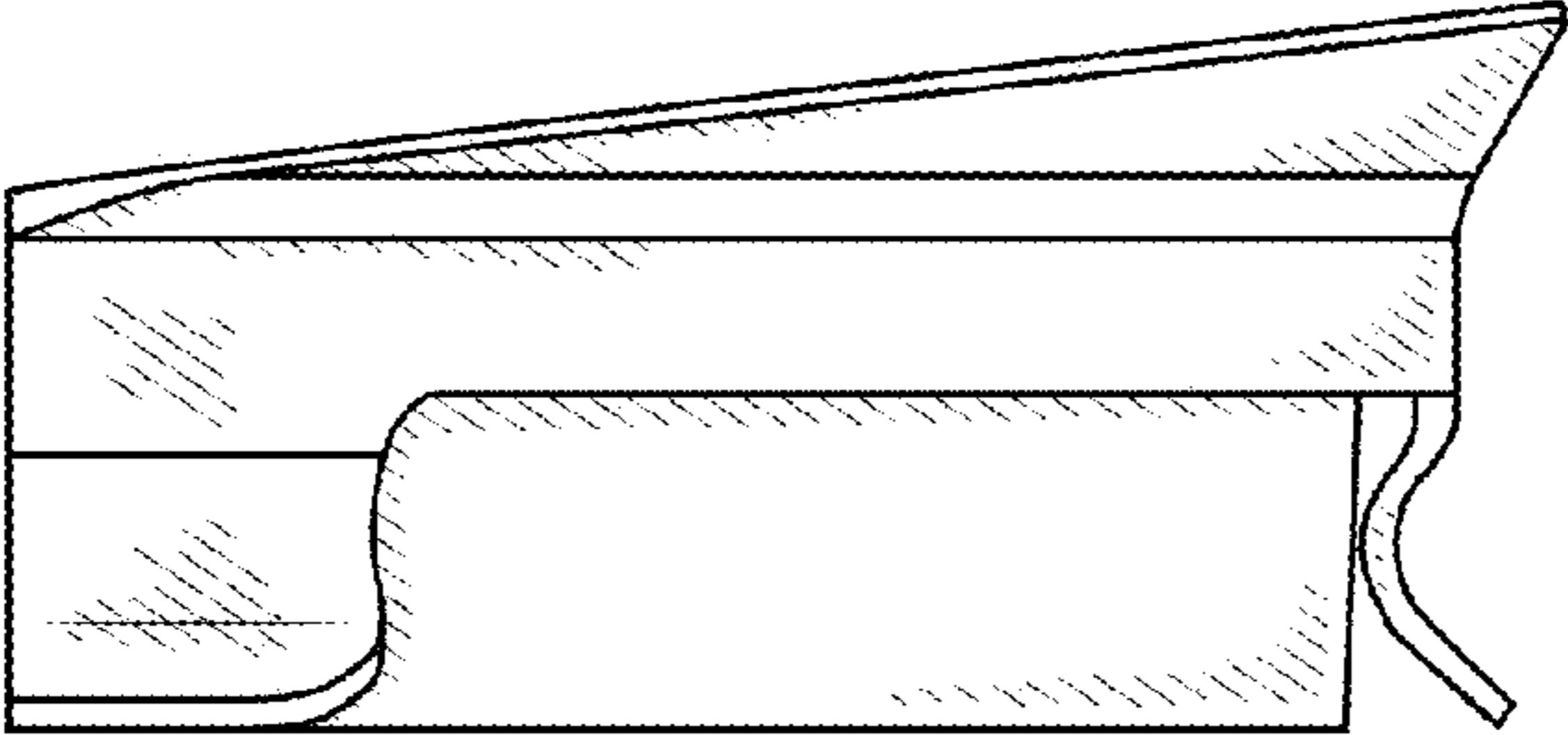


FIG. 4

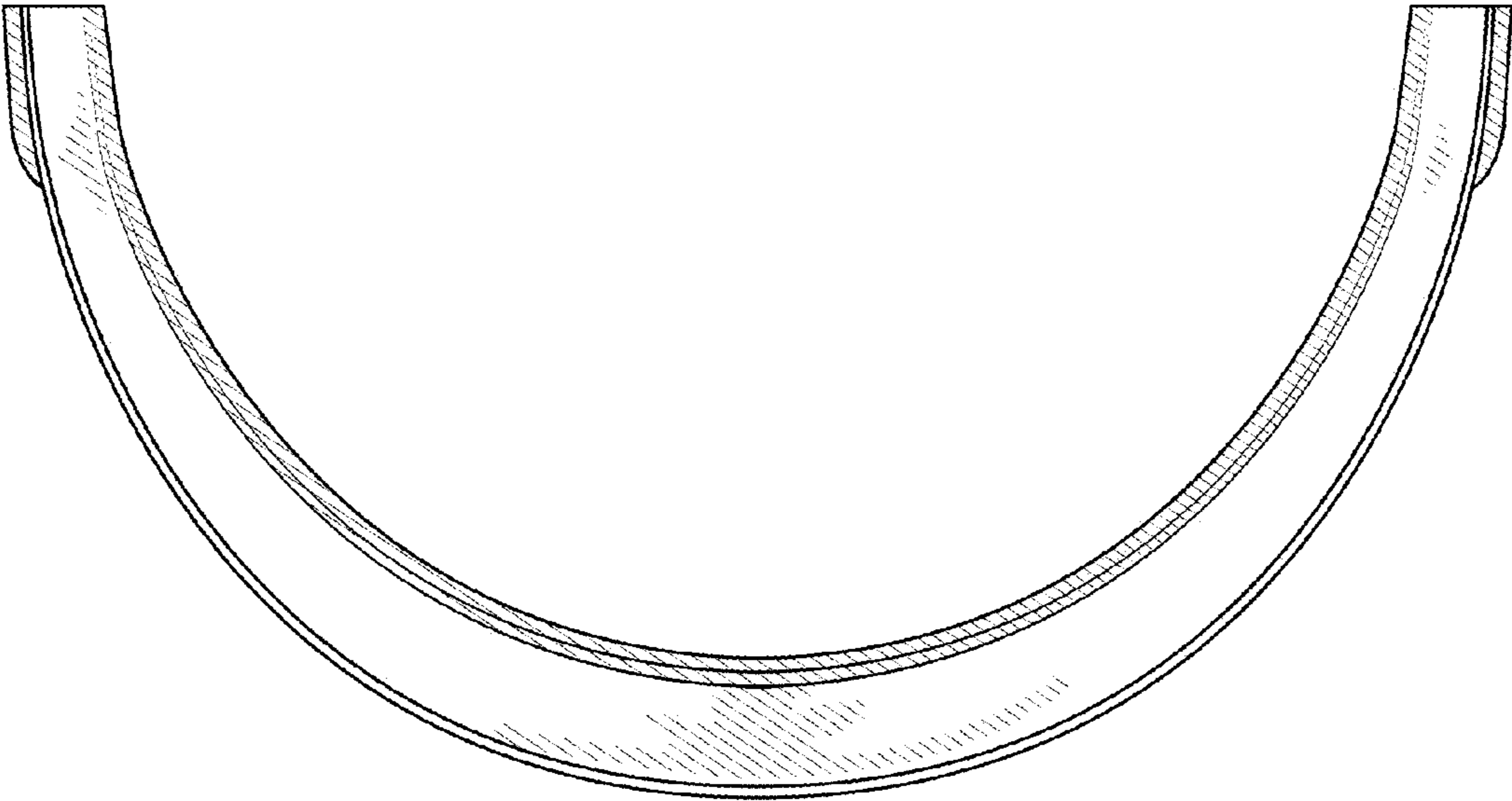


FIG. 5

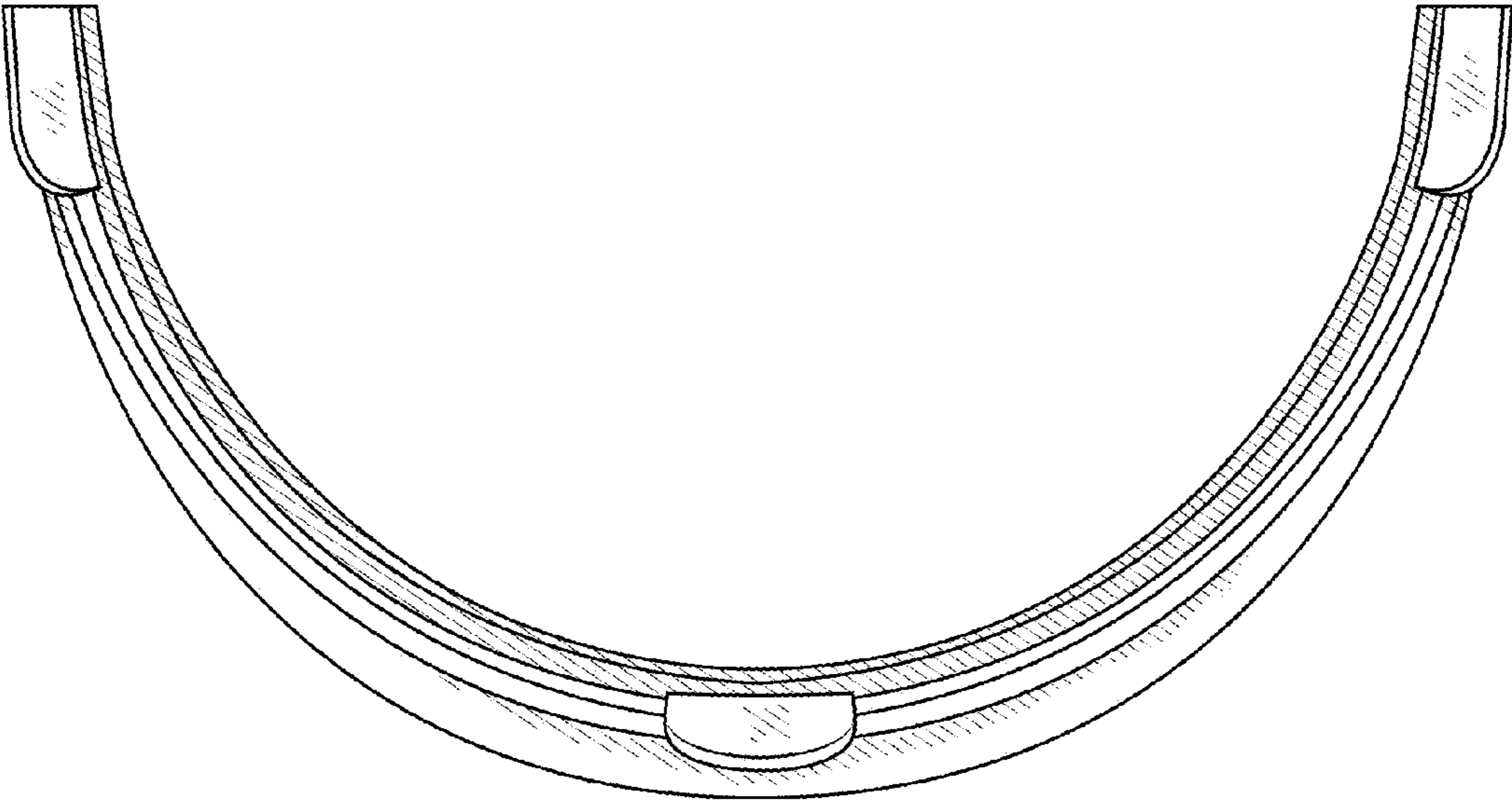


FIG. 6