



US00D729482S

(12) **United States Design Patent**
Lentine

(10) **Patent No.:** **US D729,482 S**
(45) **Date of Patent:** **** May 12, 2015**

(54) **PEDAL FOR A CLEANING APPARATUS**

(71) Applicant: **Telebrands Corp.**, Fairfield, NJ (US)

(72) Inventor: **Lou Lentine**, Chattanooga, TN (US)

(73) Assignee: **Telebrands, Corp.**, Fairfield, NJ (US)

(**) Term: **14 Years**

(21) Appl. No.: **29/491,255**

(22) Filed: **May 19, 2014**

(51) **LOC (10) CL.** **07-07**

(52) **U.S. Cl.**
USPC **D32/53**

(58) **Field of Classification Search**
USPC D32/53-54; 15/119.1, 120.1, 260-264;
220/570, 904

See application file for complete search history.

(56) **References Cited**

U.S. PATENT DOCUMENTS

3,921,247	A *	11/1975	Cook	15/262
5,615,447	A *	4/1997	Hardesty et al.	15/264
7,743,528	B2	6/2010	Lin		
7,909,174	B1	3/2011	Yu		
8,028,369	B2	10/2011	Chiang		
8,056,179	B2	11/2011	Hsu		
8,065,777	B2	11/2011	Lin		
8,156,607	B2	4/2012	Chiang		
8,239,997	B2 *	8/2012	Lin	15/260
8,327,502	B2 *	12/2012	Tsai	15/260
8,336,160	B2	12/2012	Chen		

8,347,519	B2	1/2013	Chen
2010/0077561	A1	4/2010	Yu
2010/0078376	A1	4/2010	Yu
2010/0122953	A1	5/2010	Yu
2010/0180460	A1	7/2010	Tang
2010/0242205	A1	9/2010	Chen
2010/0306952	A1	12/2010	Chu
2012/0047675	A1	3/2012	Chu

* cited by examiner

Primary Examiner — Robin V Webster

(74) *Attorney, Agent, or Firm* — Cooper & Dunham LLP

(57) **CLAIM**

The ornamental design for a pedal for a cleaning apparatus, as shown and described.

DESCRIPTION

FIG. 1 is a side perspective view of a pedal for a cleaning apparatus in accordance with the present design;
 FIG. 2 is a front view thereof;
 FIG. 3 is a back view thereof;
 FIG. 4 is a right side view thereof;
 FIG. 5 is a left side view thereof;
 FIG. 6 is a top view thereof;
 FIG. 7 is a bottom view thereof; and,
 FIG. 8 is a side perspective view thereof.

The broken lines are for illustrative purposes only and form no part of the claimed design. The shading represents contour of the claimed design.

1 Claim, 8 Drawing Sheets

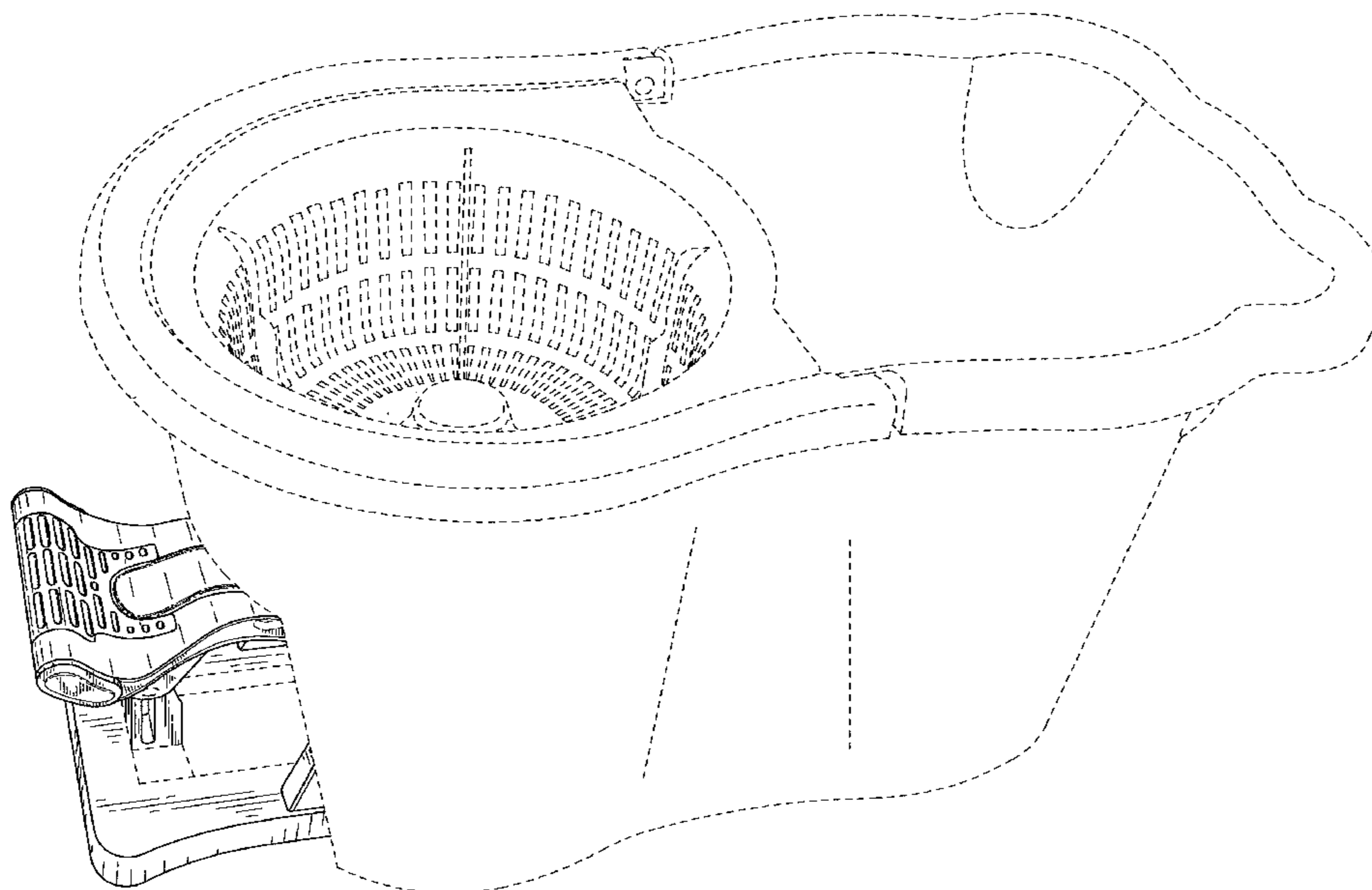


FIG. 1

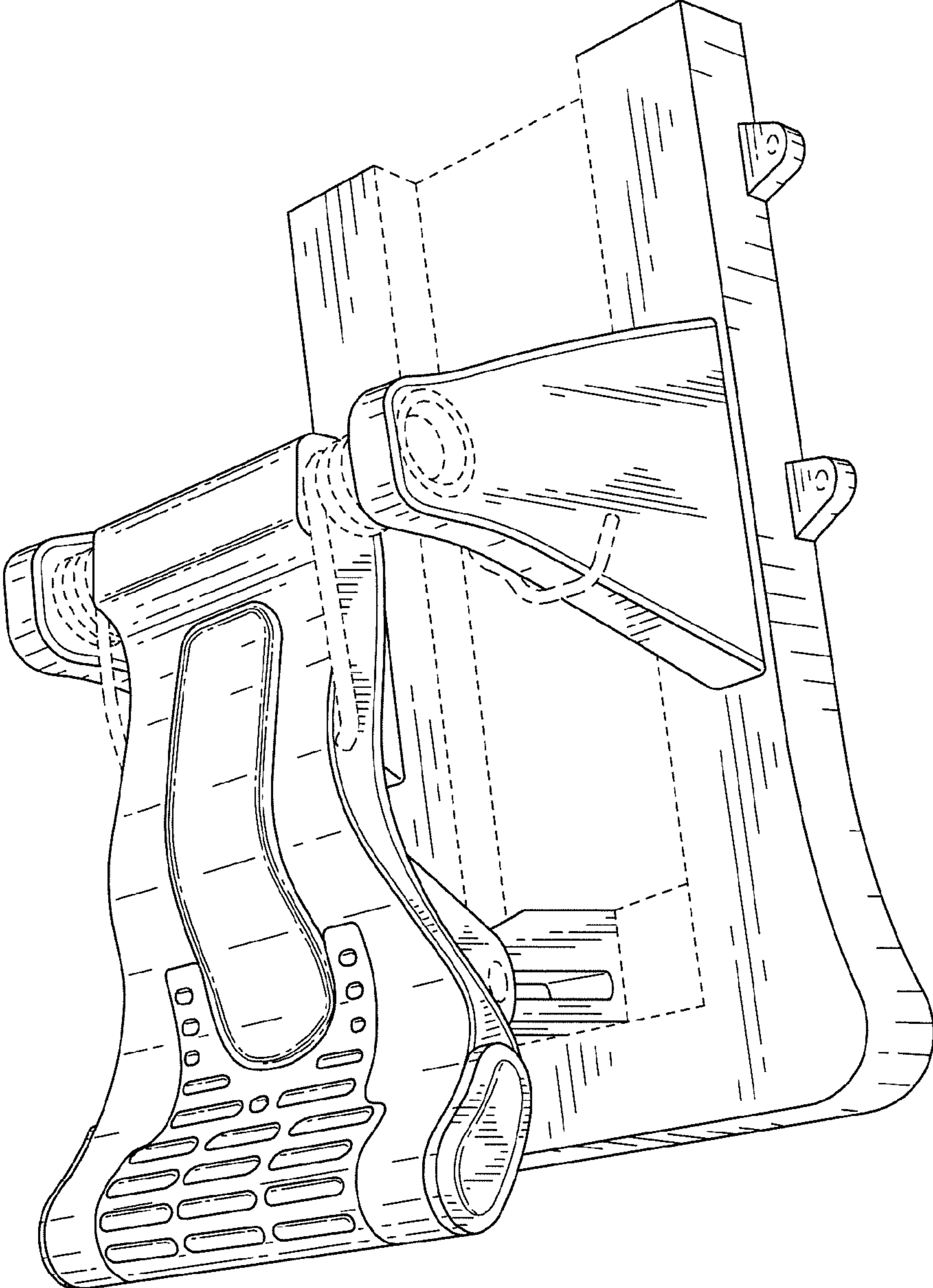


FIG. 2

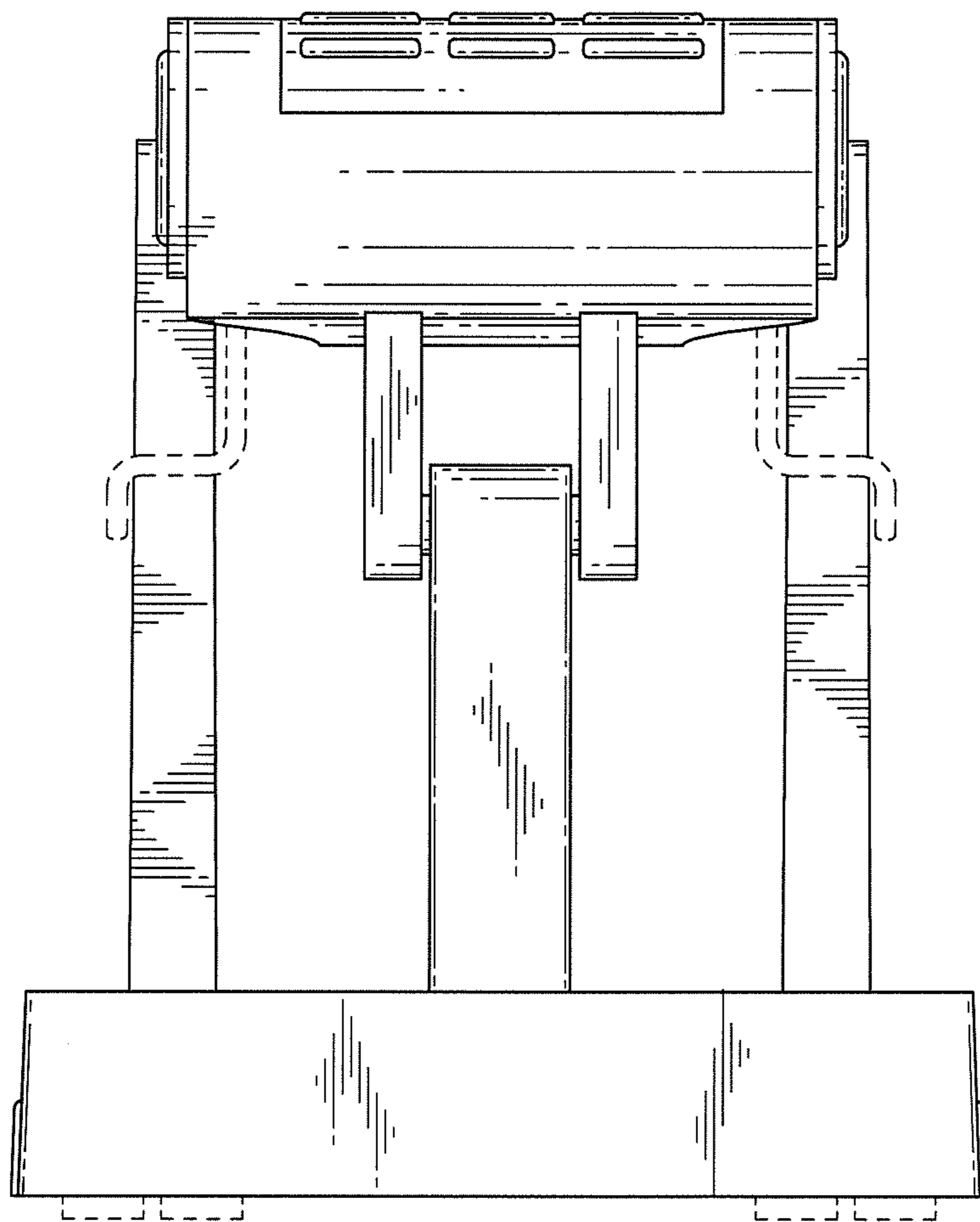


FIG. 3

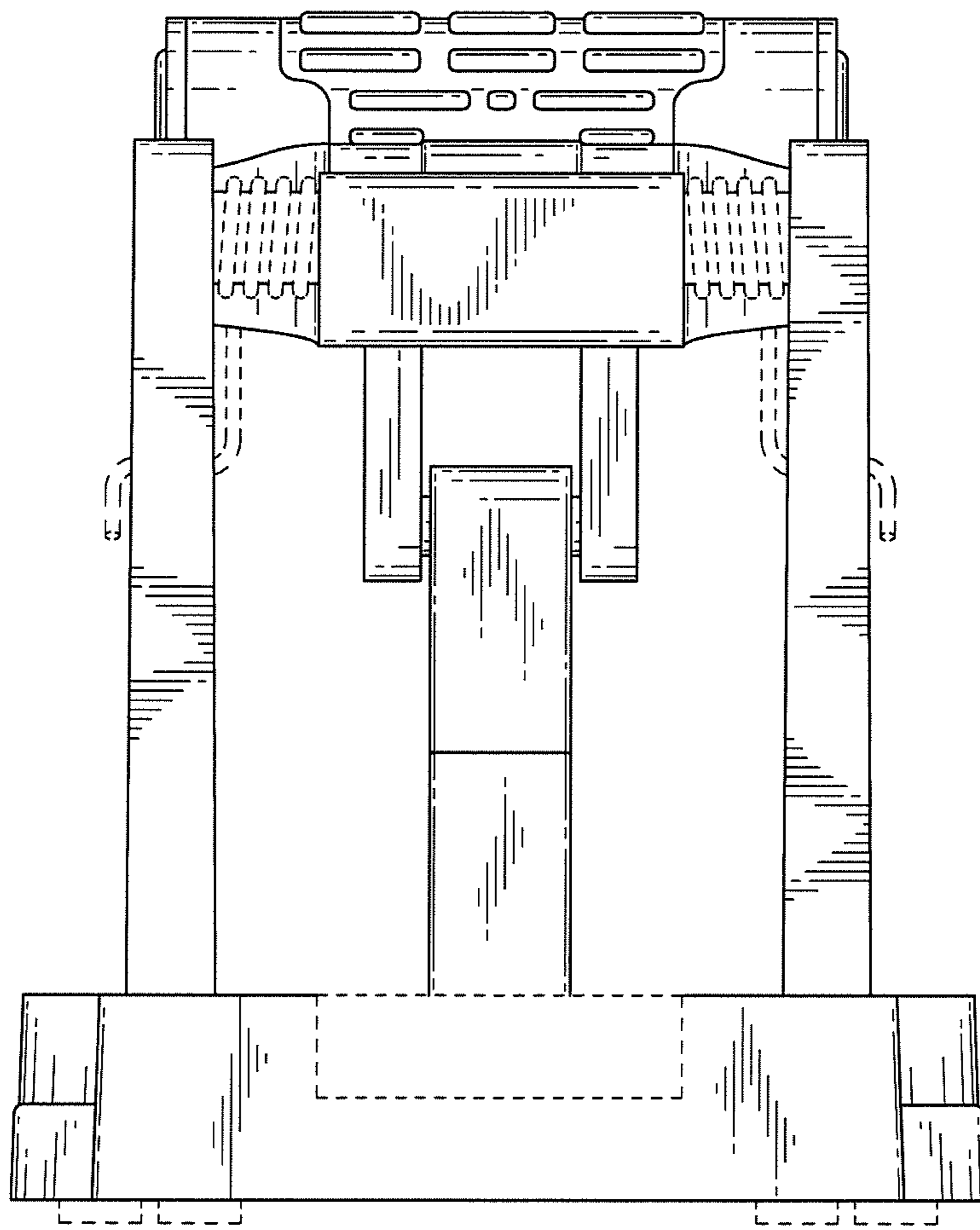


FIG. 4

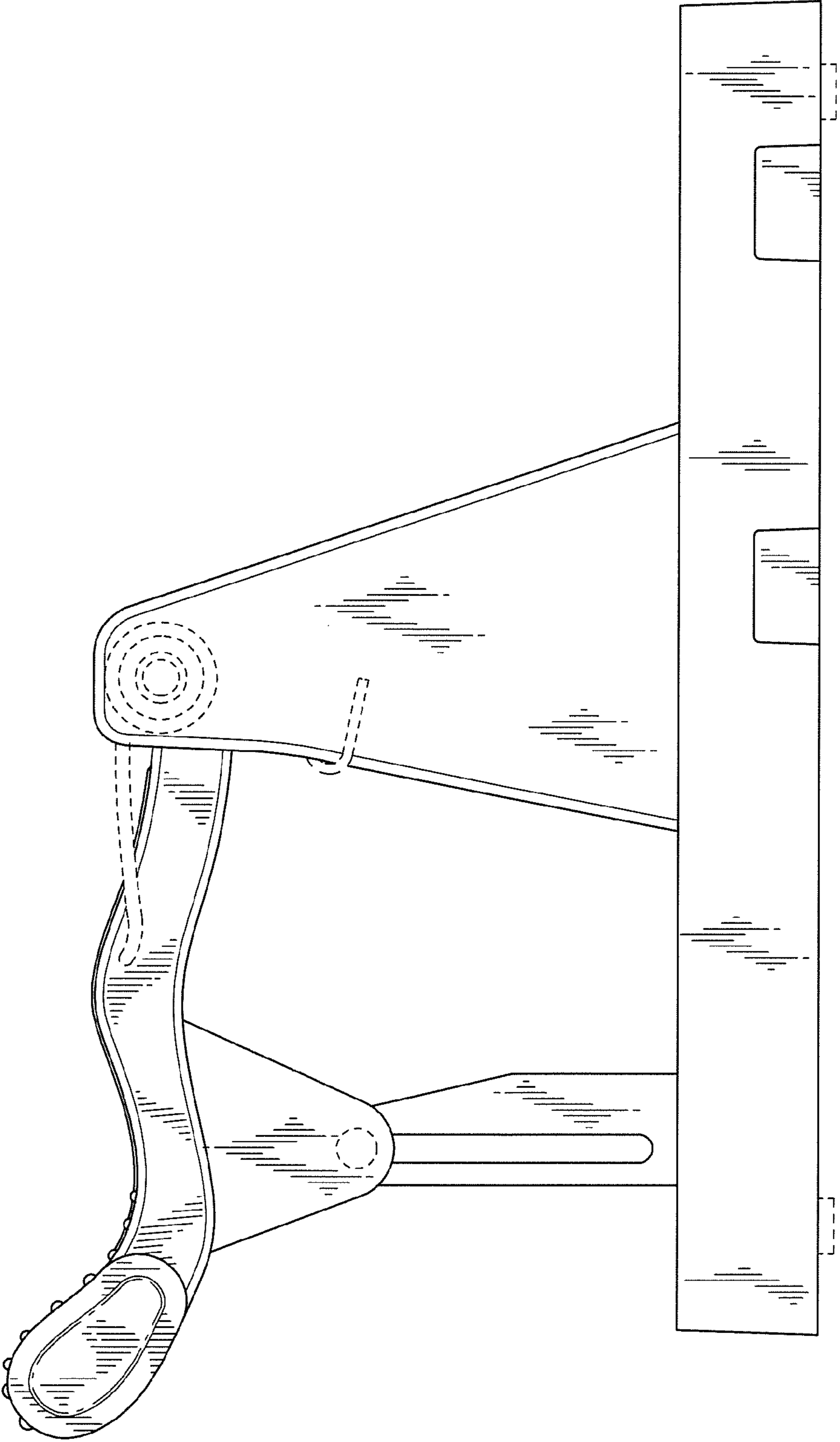


FIG. 5

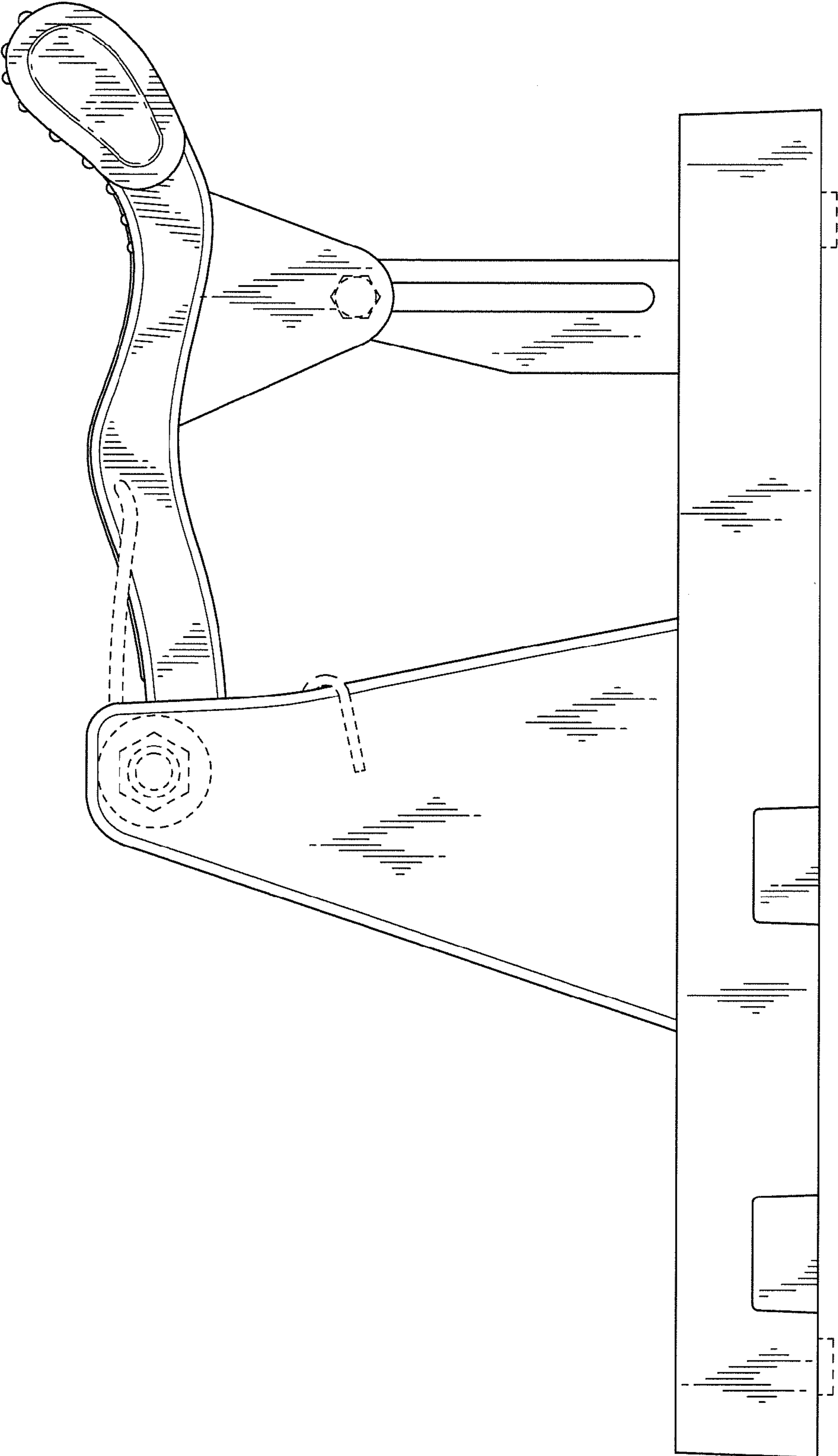


FIG. 6

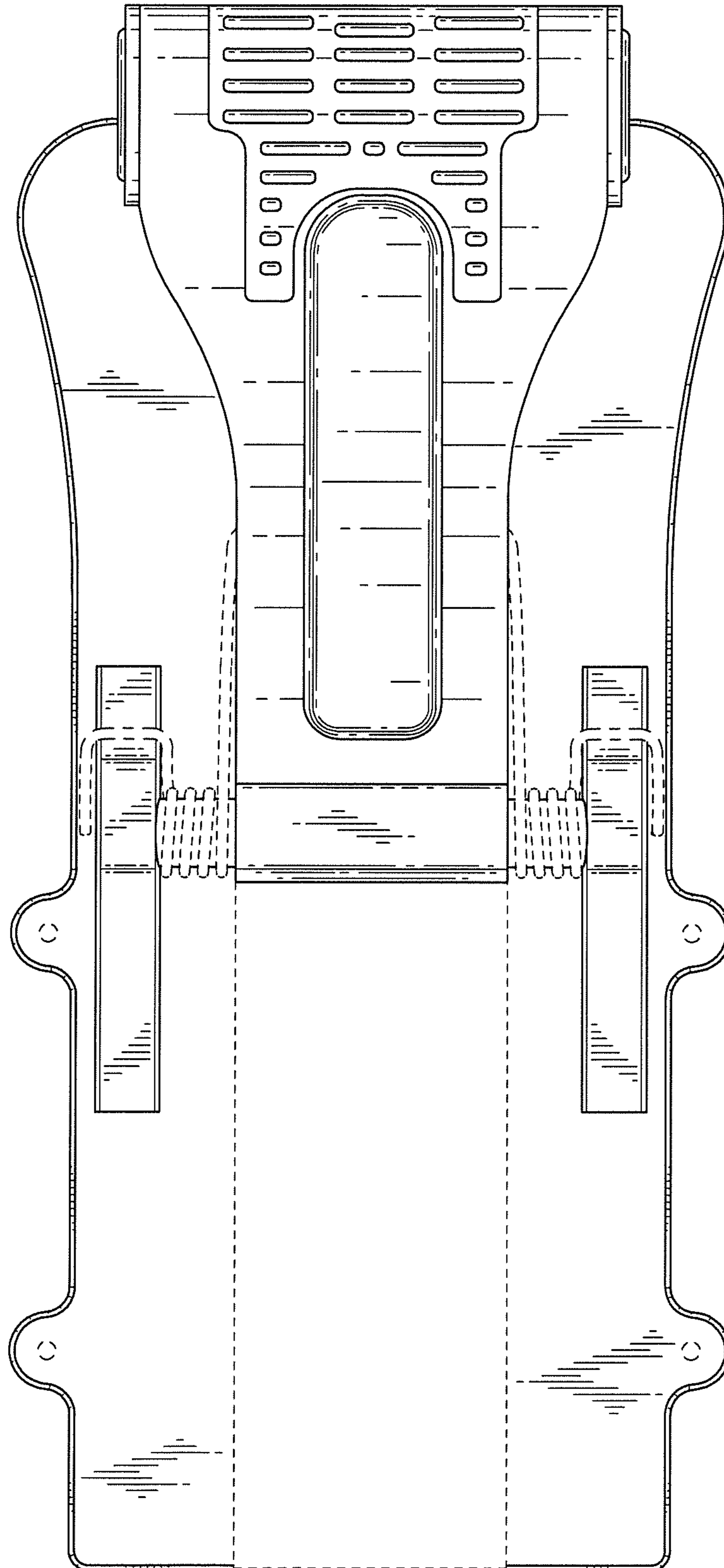


FIG. 7

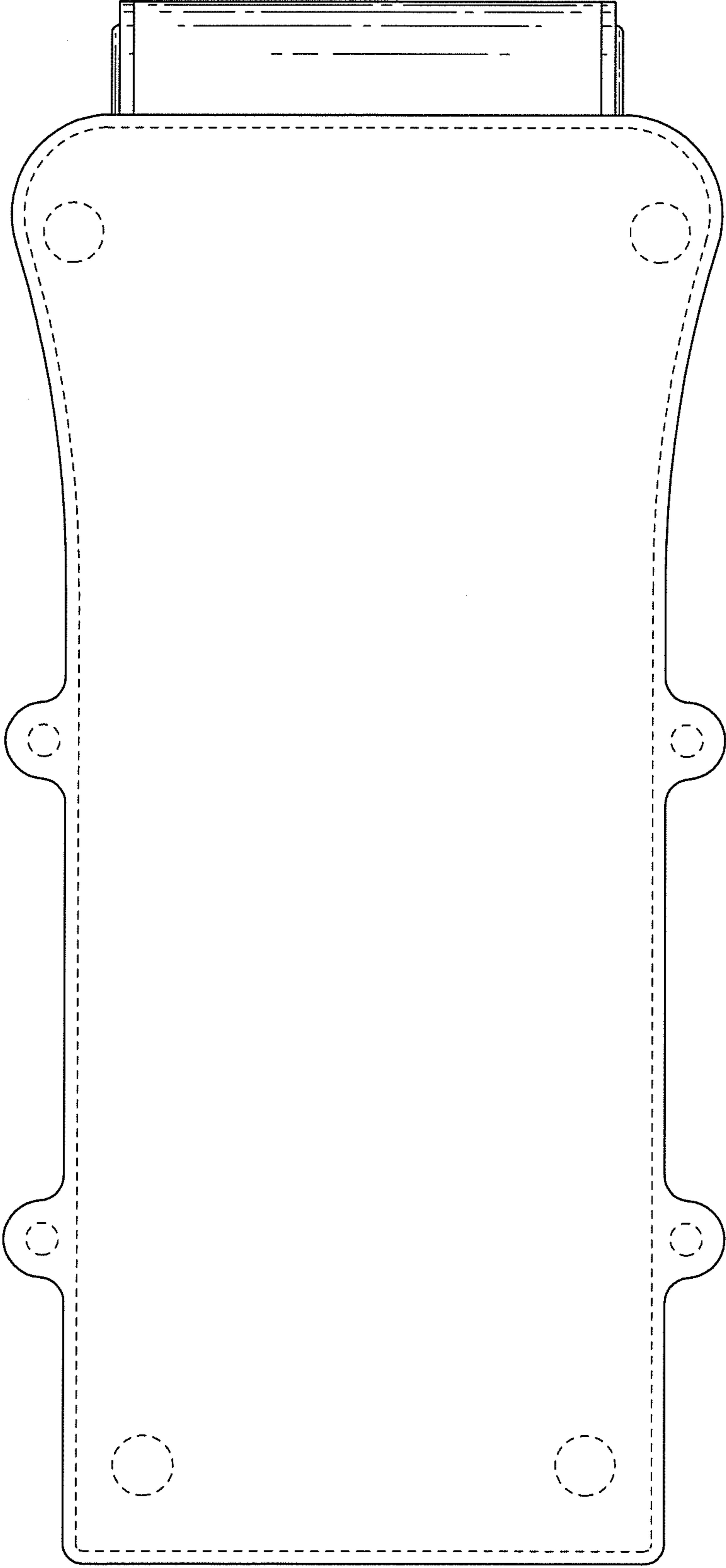


FIG. 8

