



US00D729479S

(12) **United States Design Patent**
Clark

(10) **Patent No.:** **US D729,479 S**

(45) **Date of Patent:** **** May 12, 2015**

(54) **PVC READY BUCKET**

(71) Applicant: **Clinton Clark**, Plainwell, MI (US)

(72) Inventor: **Clinton Clark**, Plainwell, MI (US)

(**) Term: **14 Years**

(21) Appl. No.: **29/480,496**

(22) Filed: **Jan. 27, 2014**

(51) **LOC (10) Cl.** **07-07**

(52) **U.S. Cl.**
USPC **D32/53**

(58) **Field of Classification Search**
USPC D32/53, 53.1, 54; 15/260–264;
220/904, 659; D22/136
See application file for complete search history.

(56) **References Cited**

U.S. PATENT DOCUMENTS

1,557,823	A *	10/1925	Frattallone	294/68.22
3,603,019	A *	9/1971	Smeltzer	43/21.2
D352,143	S *	11/1994	Arshinoff	D32/53
5,513,770	A *	5/1996	Seeley et al.	220/729
D493,929	S *	8/2004	Schwarz	D32/53

D590,561 S * 4/2009 Baltz D32/53

* cited by examiner

Primary Examiner — Robin V Webster

(74) *Attorney, Agent, or Firm* — Gardner, Linn, Burkhardt & Flory, LLP

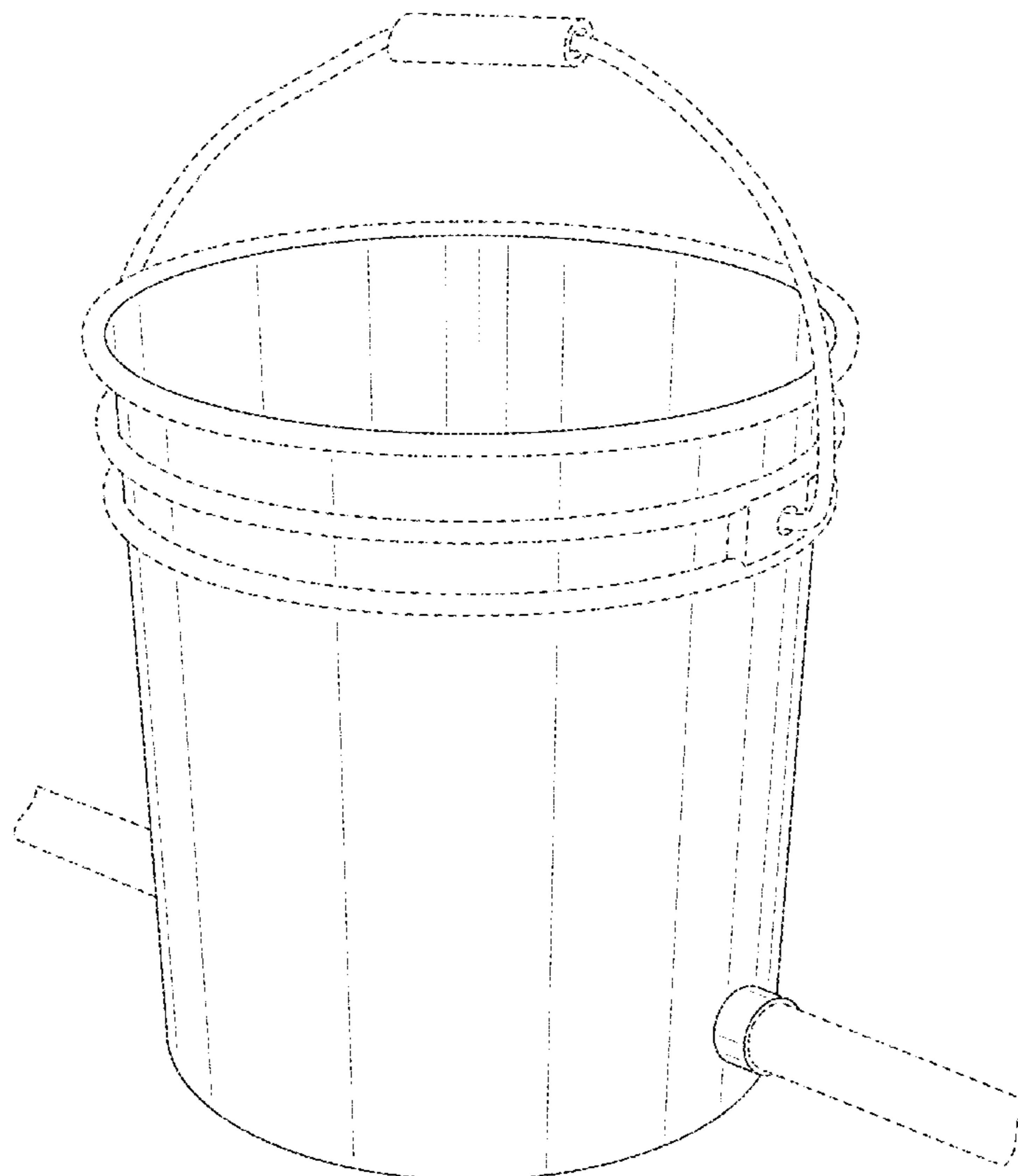
(57) **CLAIM**

The ornamental design for the PVC ready bucket, as shown and described.

DESCRIPTION

FIG. 1 is a front perspective view of a PVC ready bucket in accordance with the present invention; FIG. 2 is a front elevation view thereof; FIG. 3 is a rear elevation view thereof; FIG. 4 is a right-side elevation view thereof; FIG. 5 is a left-side elevation view thereof; FIG. 6 is a top plan view thereof; FIG. 7 is a bottom plan view thereof; and, FIG. 8 is a front perspective view thereof, shown with PVC piping connected to the bucket. In the drawings, the dashed lines are for illustrative purposes only and form no part of the claim.

1 Claim, 7 Drawing Sheets



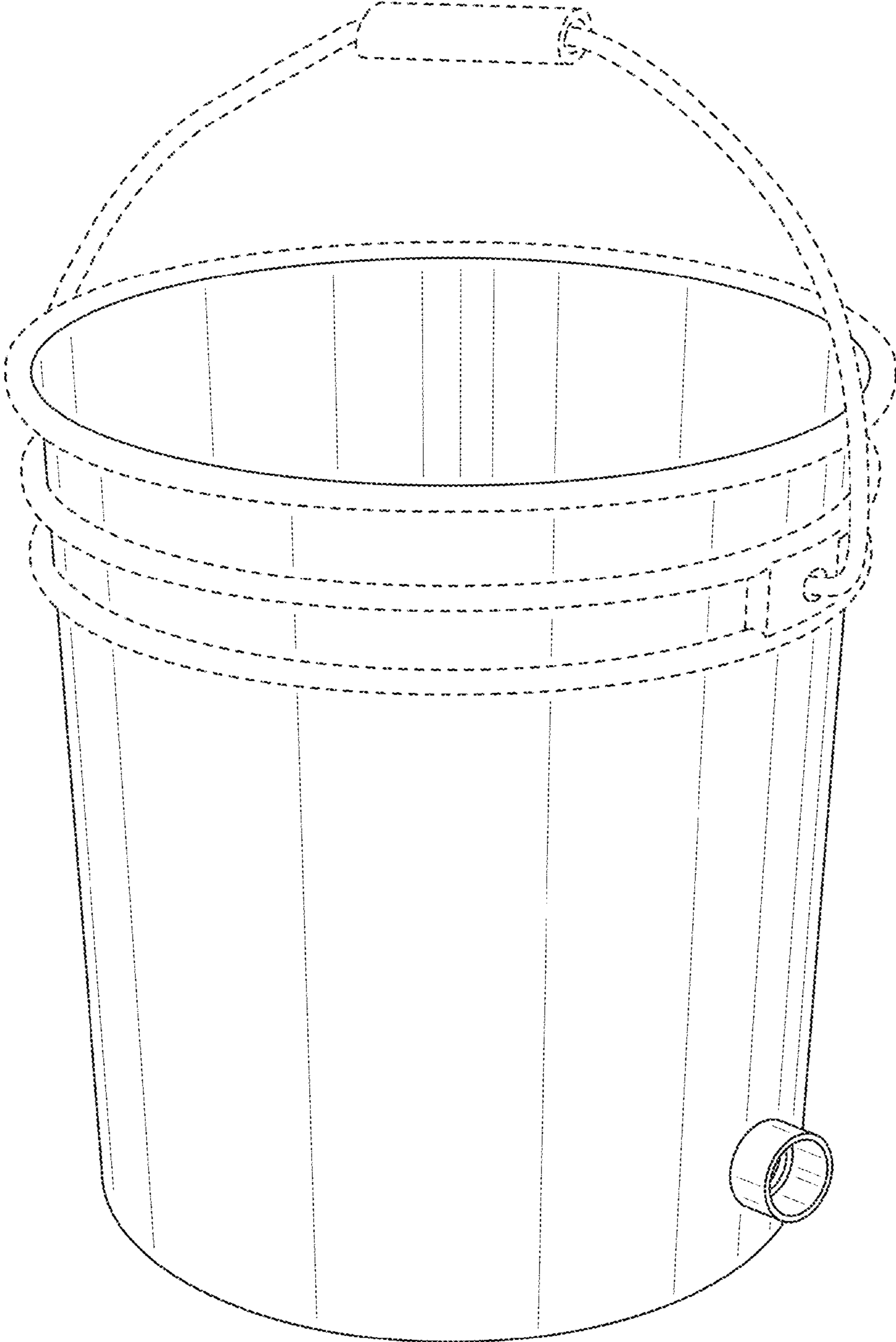


FIG. 1

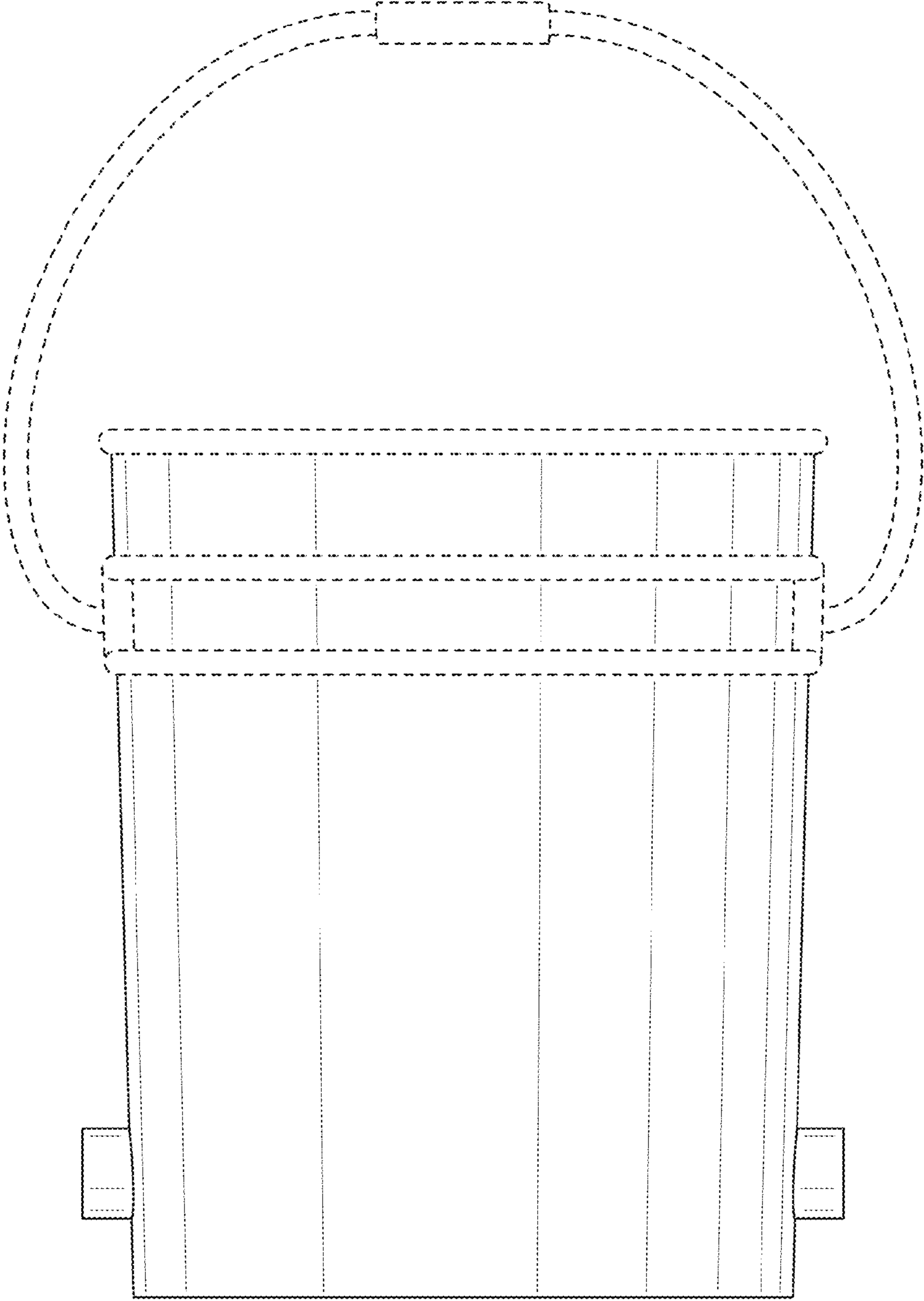


FIG. 2

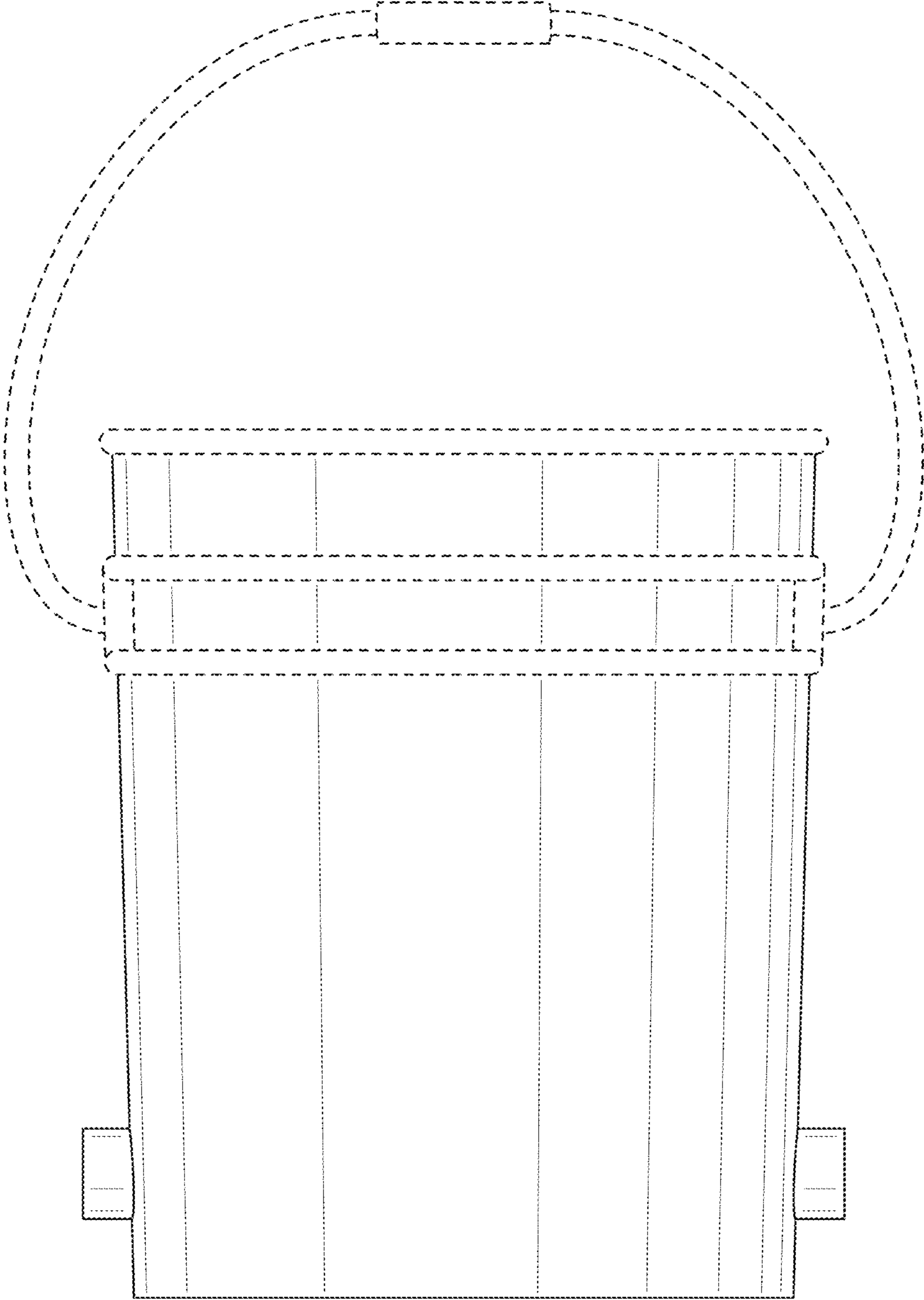


FIG. 3

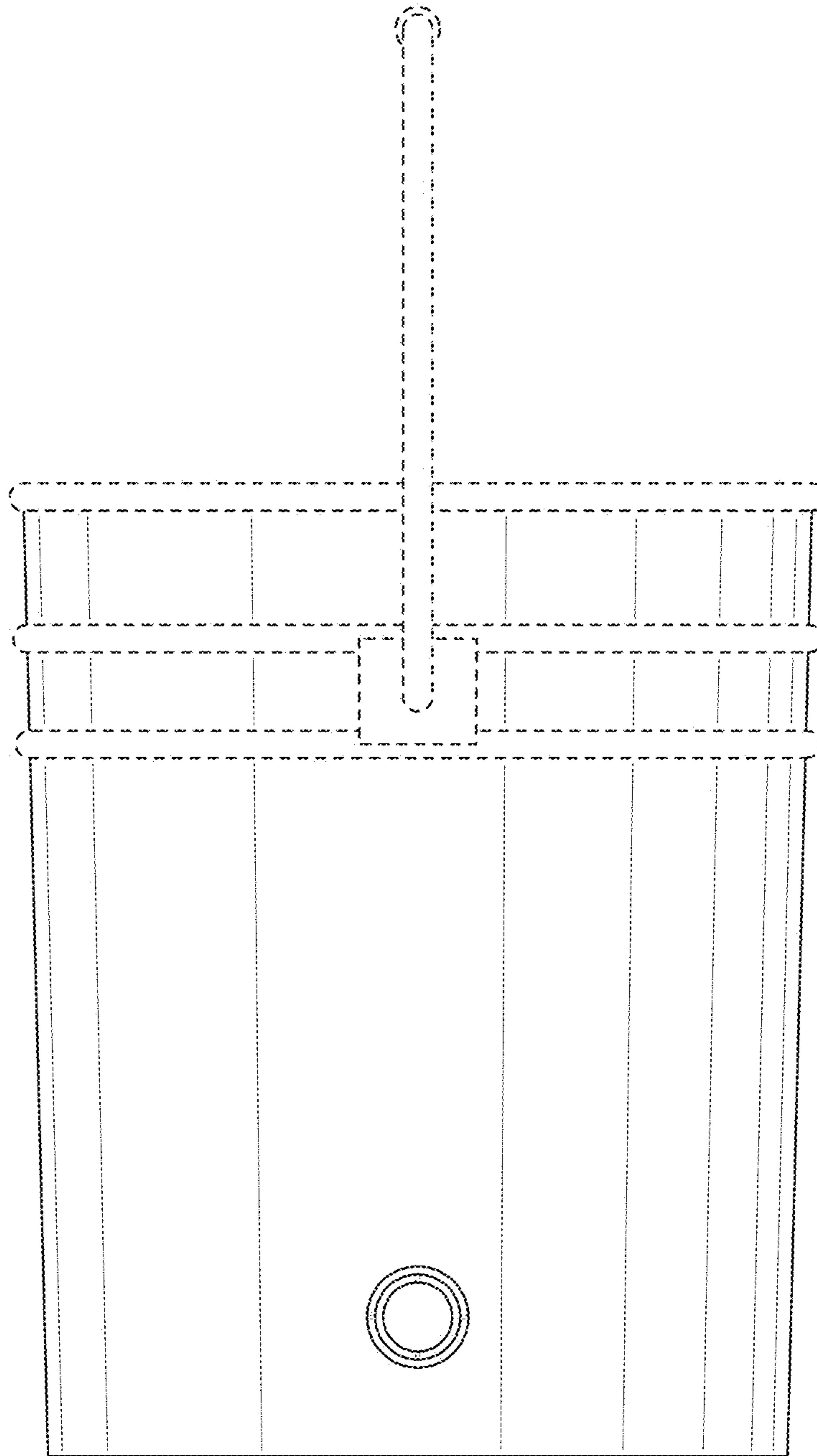


FIG. 4

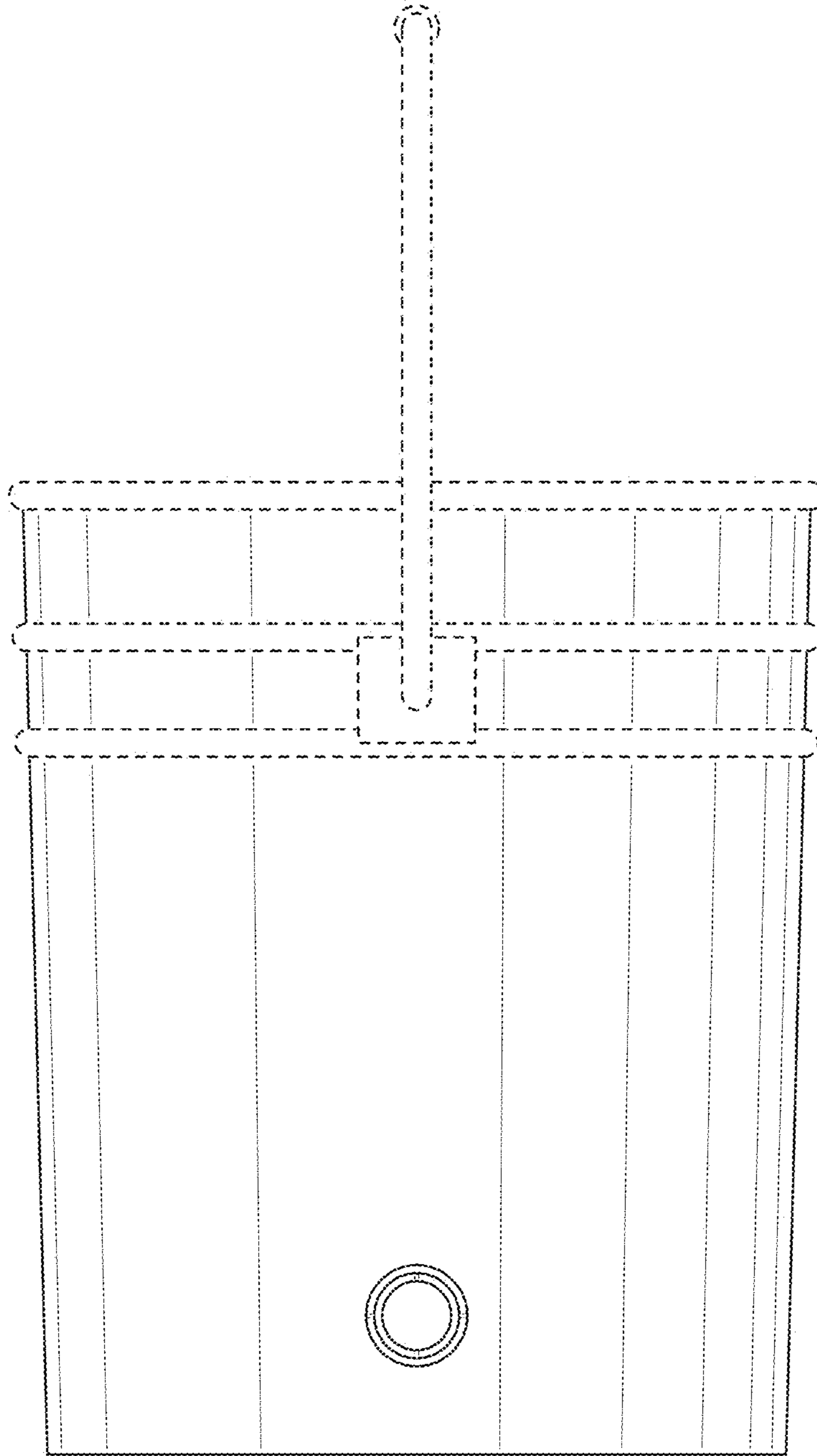


FIG. 5

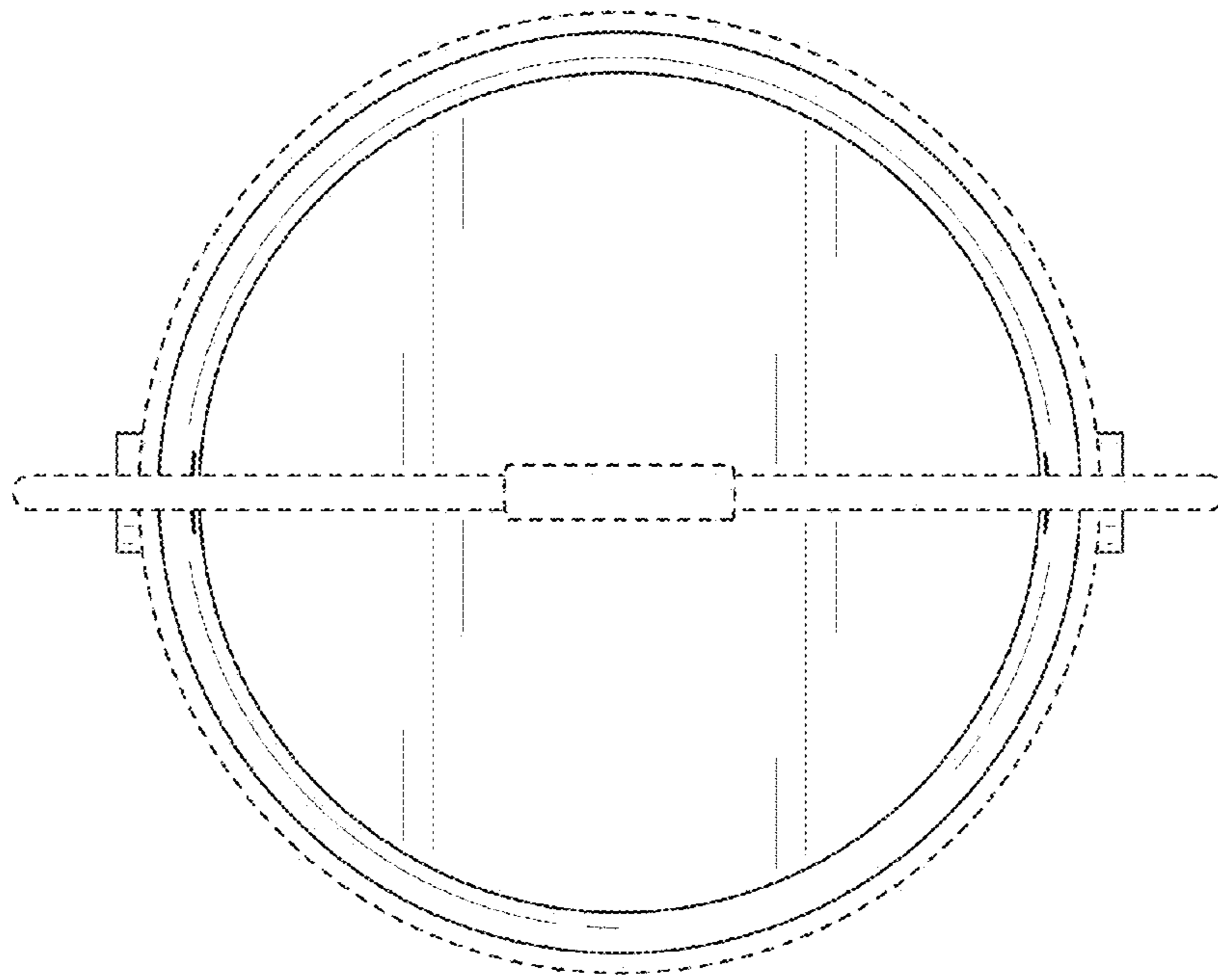


FIG. 6

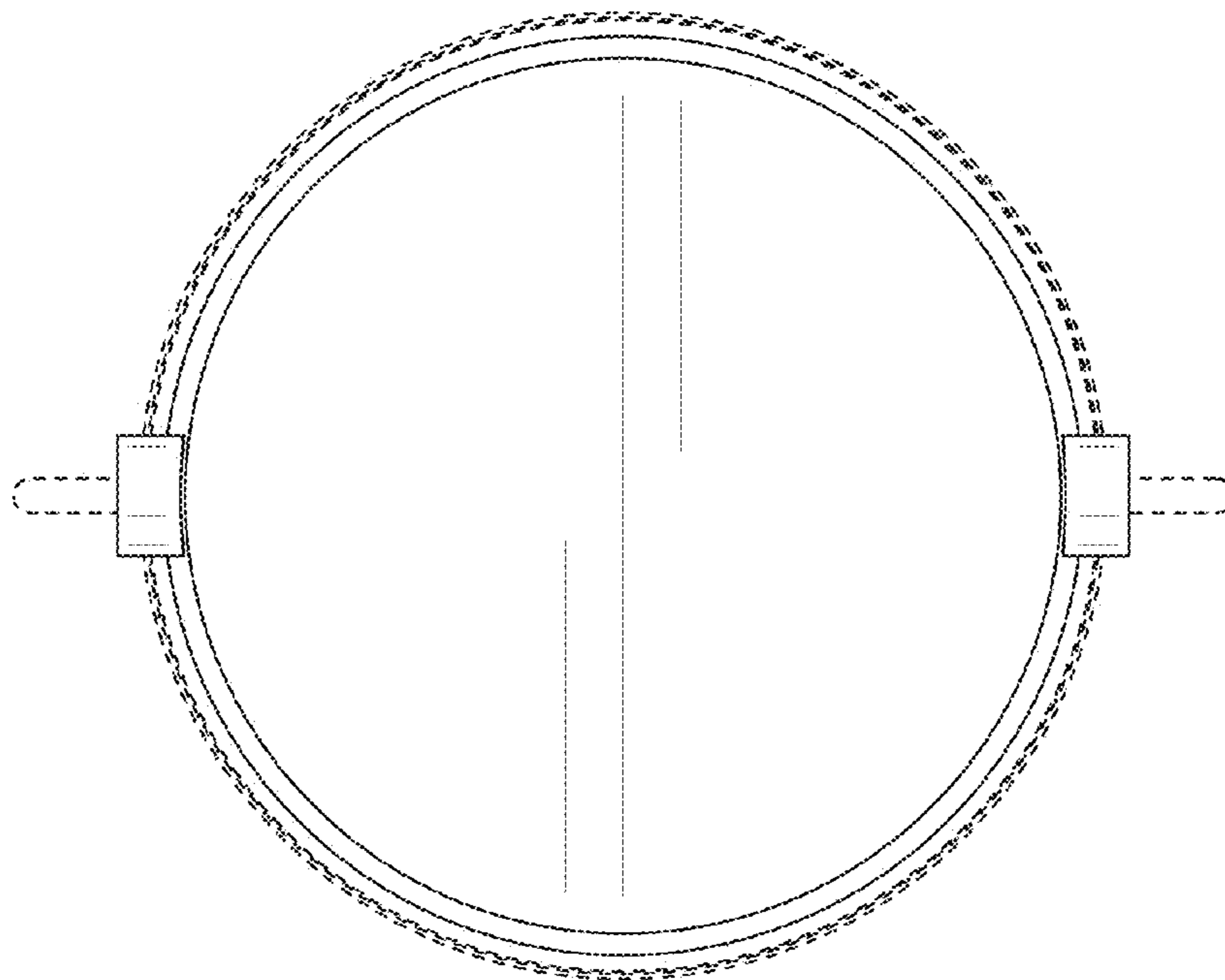


FIG. 7

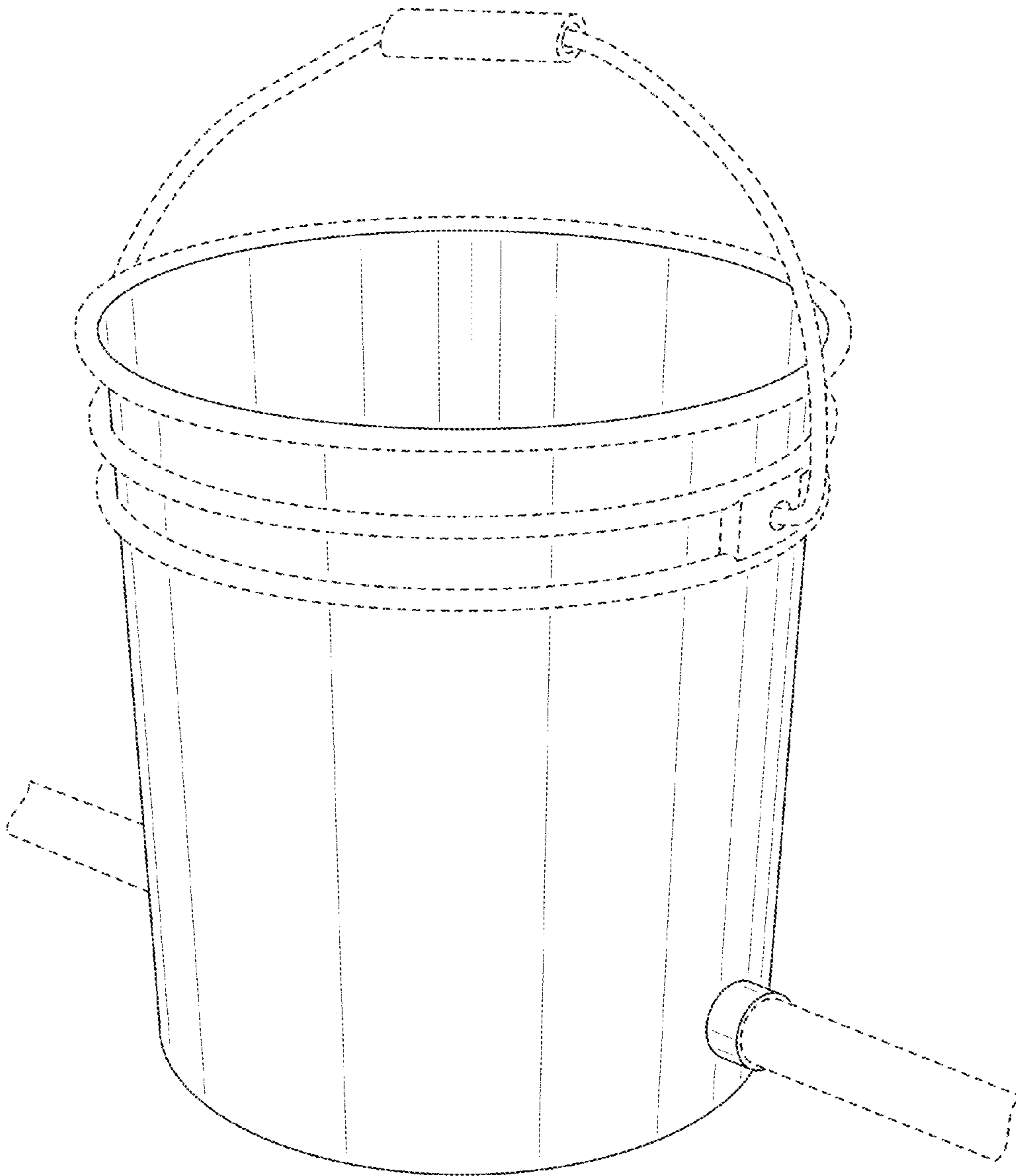


FIG. 8