



US00D729477S

(12) **United States Design Patent**  
**Abuzarifah**

(10) **Patent No.:** **US D729,477 S**

(45) **Date of Patent:** **\*\* May 12, 2015**

(54) **PAINT CONTAINER AND LID CONSTRUCTION**

5,964,372 A \* 10/1999 Dubois et al. .... 220/642  
6,102,235 A 8/2000 Stern et al.  
D706,509 S \* 6/2014 Morris, Jr. .... D32/53

(71) Applicant: **Khalid Abuzarifah**, Fall River, MA (US)

\* cited by examiner

(72) Inventor: **Khalid Abuzarifah**, Fall River, MA (US)

*Primary Examiner* — Robin V Webster

(74) *Attorney, Agent, or Firm* — Salter & Michaelson

(\*\*) Term: **14 Years**

(57) **CLAIM**

The ornamental design for a paint container and lid construction, as shown and described.

(21) Appl. No.: **29/475,536**

**DESCRIPTION**

(22) Filed: **Dec. 4, 2013**

(51) **LOC (10) Cl.** ..... **07-07**

(52) **U.S. Cl.**  
USPC ..... **D32/53**

(58) **Field of Classification Search**  
USPC ..... D32/53, 53.1, 54; 15/260–264;  
220/904, 659, 258.2, 212  
See application file for complete search history.

FIG. 1 is a perspective view of a paint container and lid construction showing a closed container;  
FIG. 2 is a perspective view showing the lid in an in-use position;  
FIG. 3 is a top plan view thereof;  
FIG. 4 is a bottom plan view thereof;  
FIG. 5 is a front elevational view thereof;  
FIG. 6 is a rear elevational view thereof;  
FIG. 7 is a right side elevational view thereof; and,  
FIG. 8 is a left side elevational view thereof.

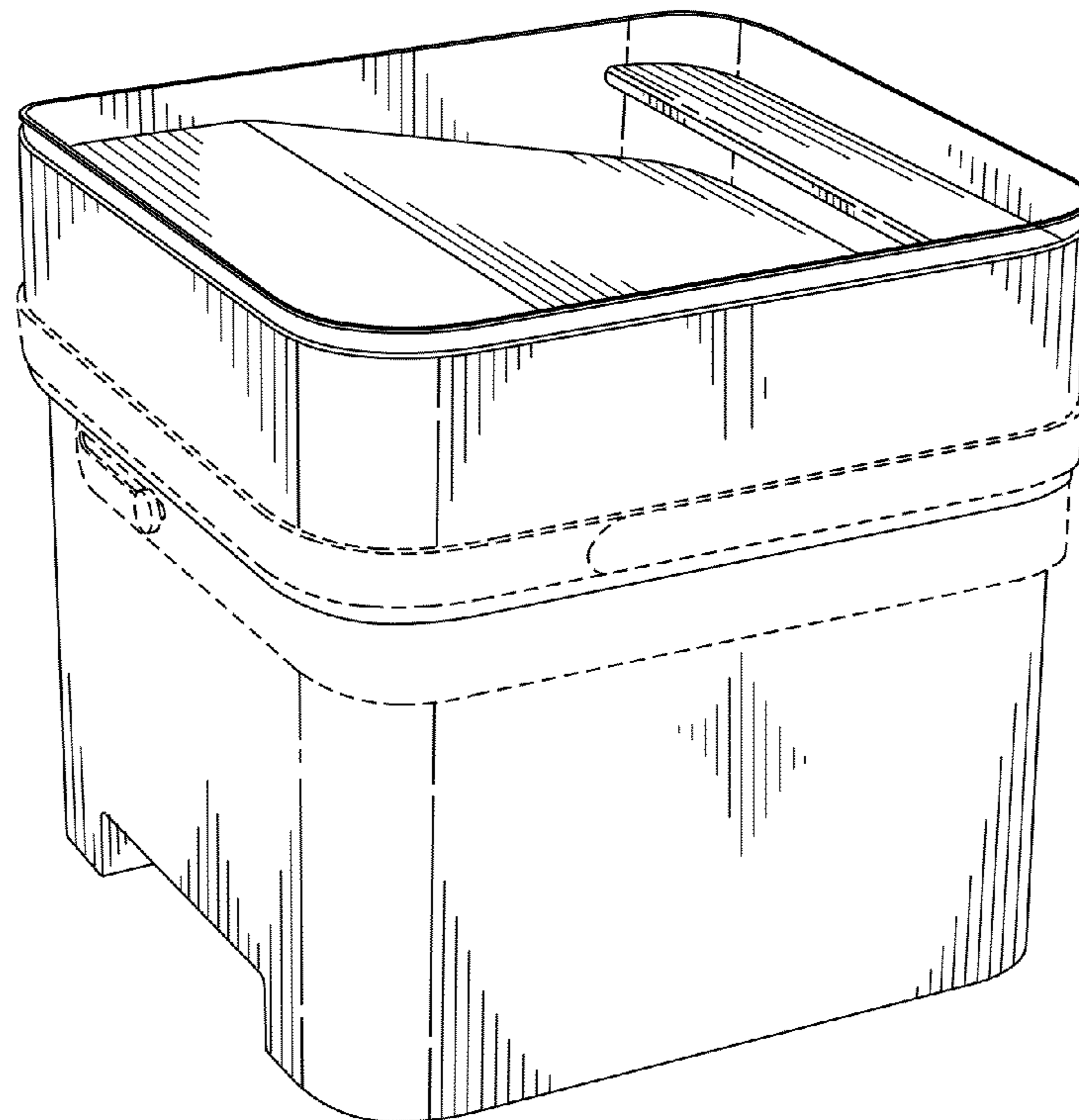
The broken lines shown in the drawing views are included for the purpose of showing environmental structure that forms no part of the claimed design.

(56) **References Cited**

U.S. PATENT DOCUMENTS

D232,152 S \* 7/1974 Roper et al. .... D32/53  
D233,218 S \* 10/1974 Elmer ..... D32/53  
D236,578 S \* 9/1975 Powell ..... D32/53  
5,472,111 A 12/1995 Renfrew

**1 Claim, 8 Drawing Sheets**



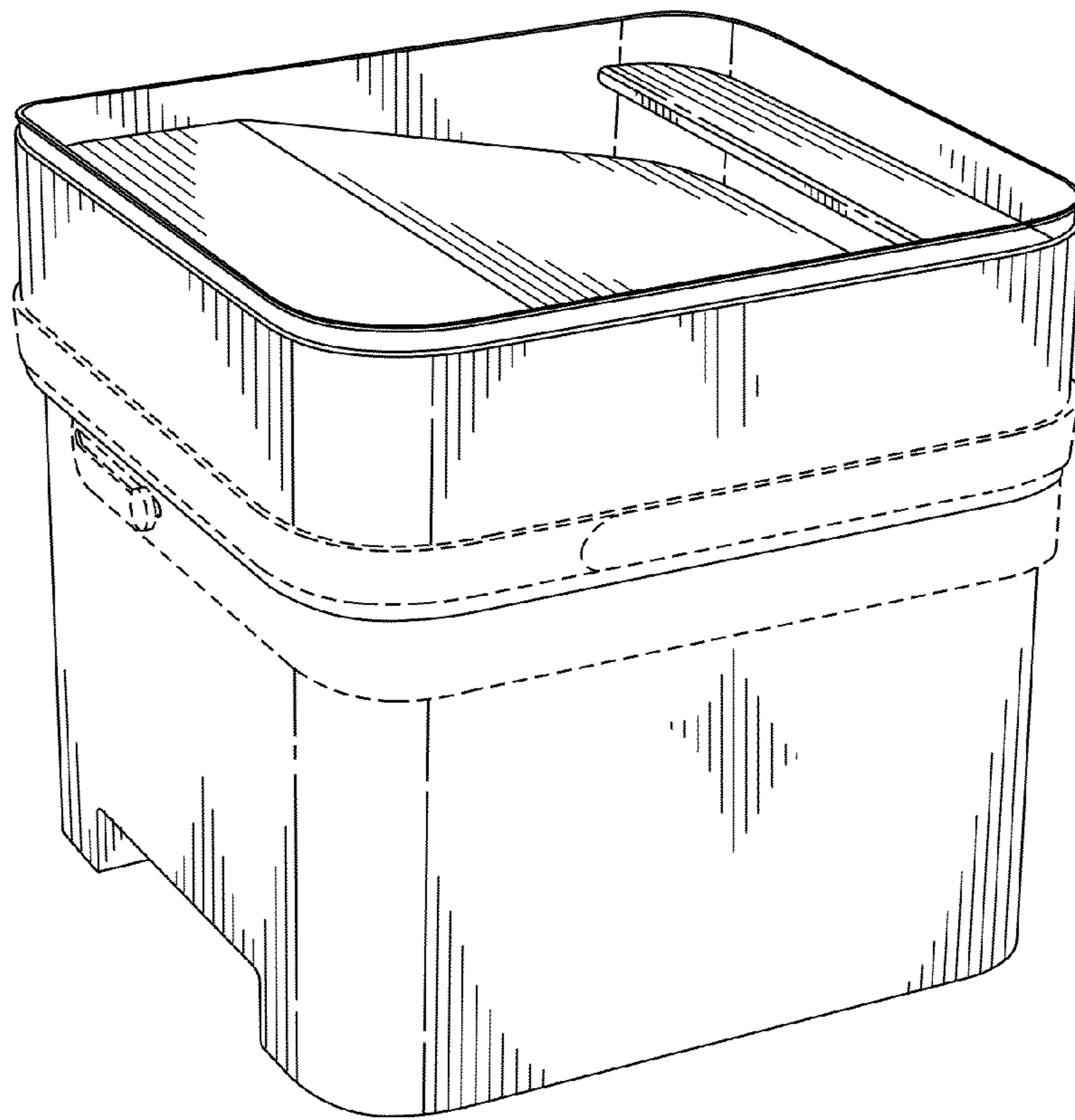


FIG. 1

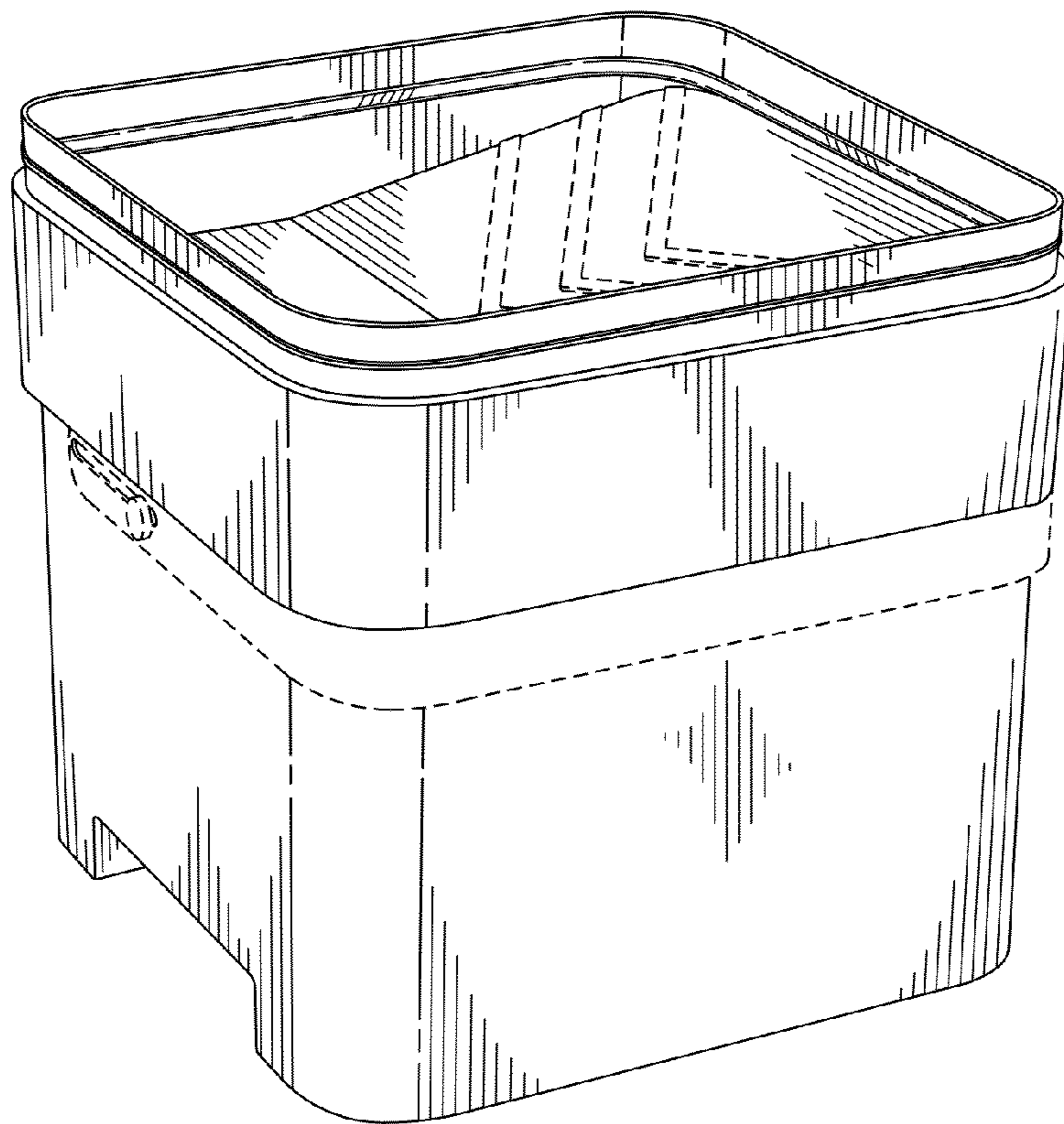


FIG. 2

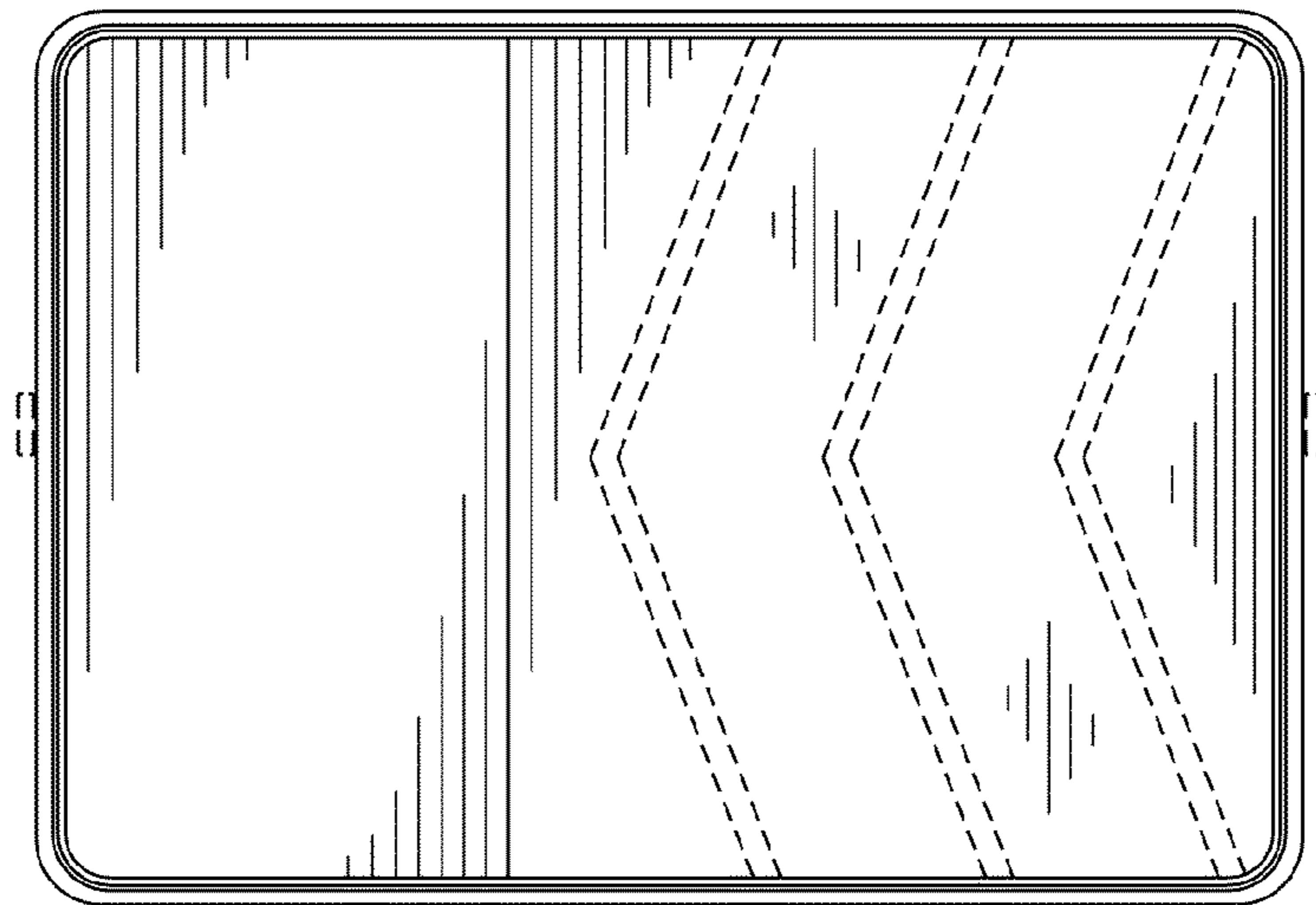


FIG. 3

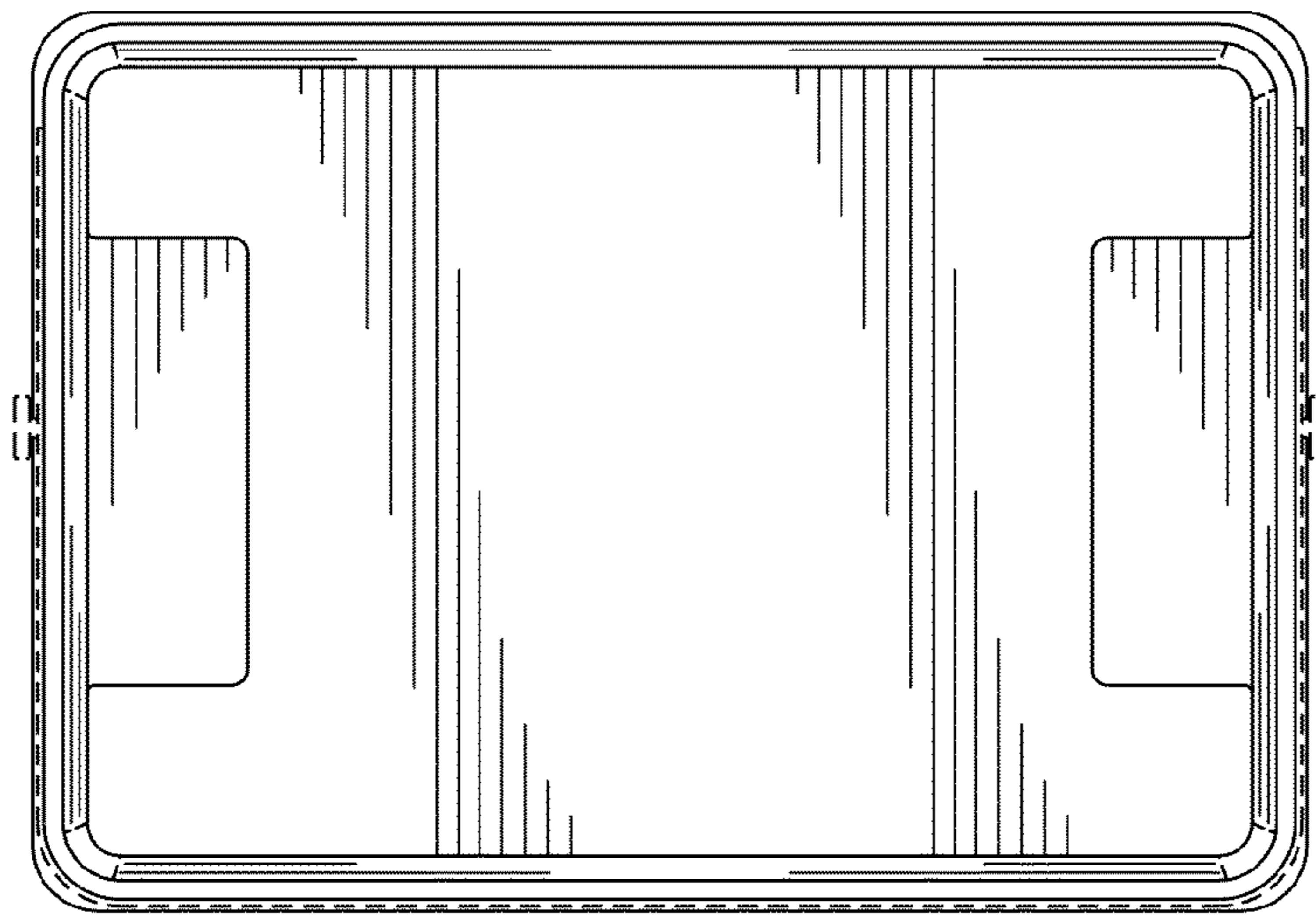


FIG. 4

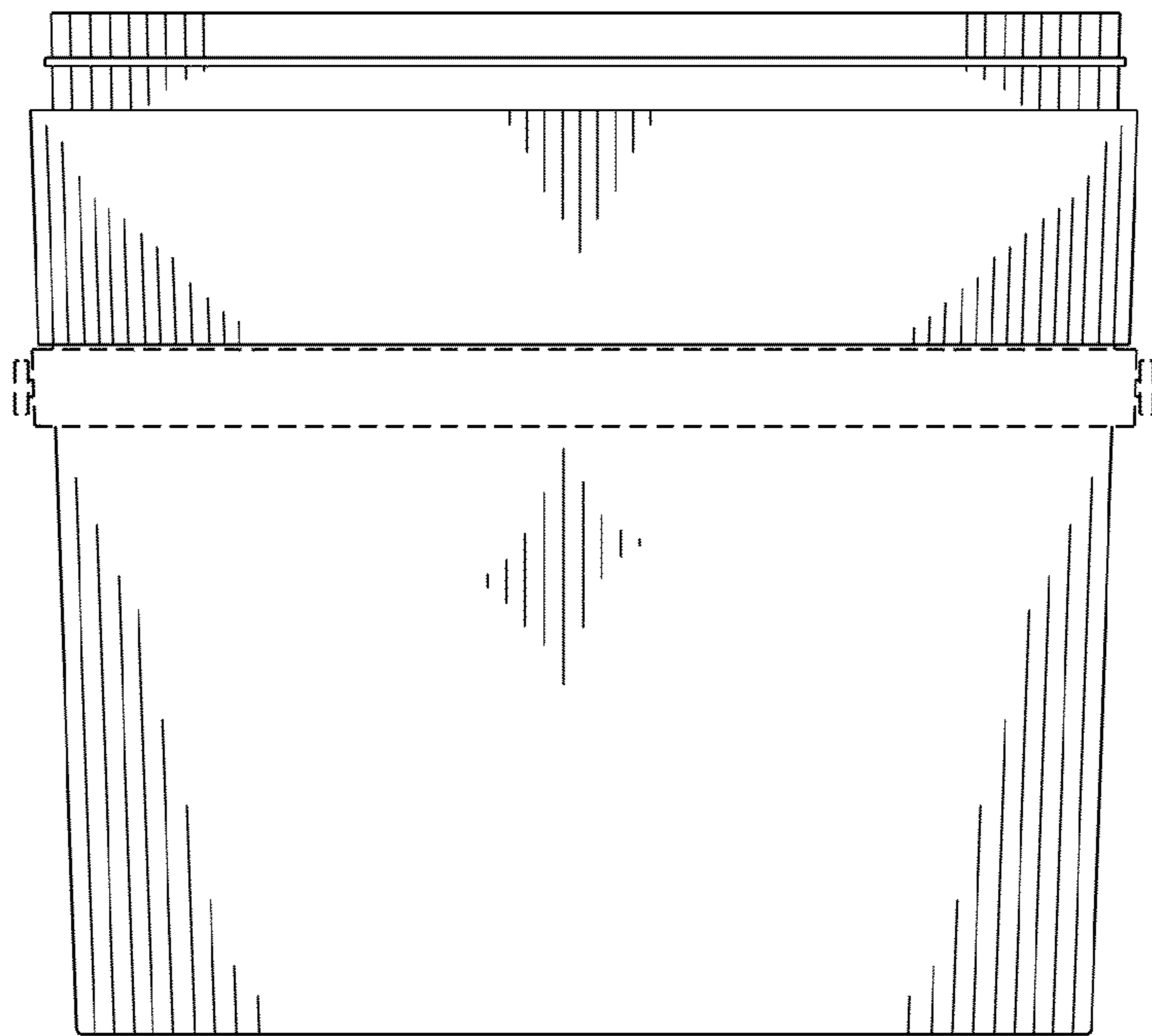


FIG. 5

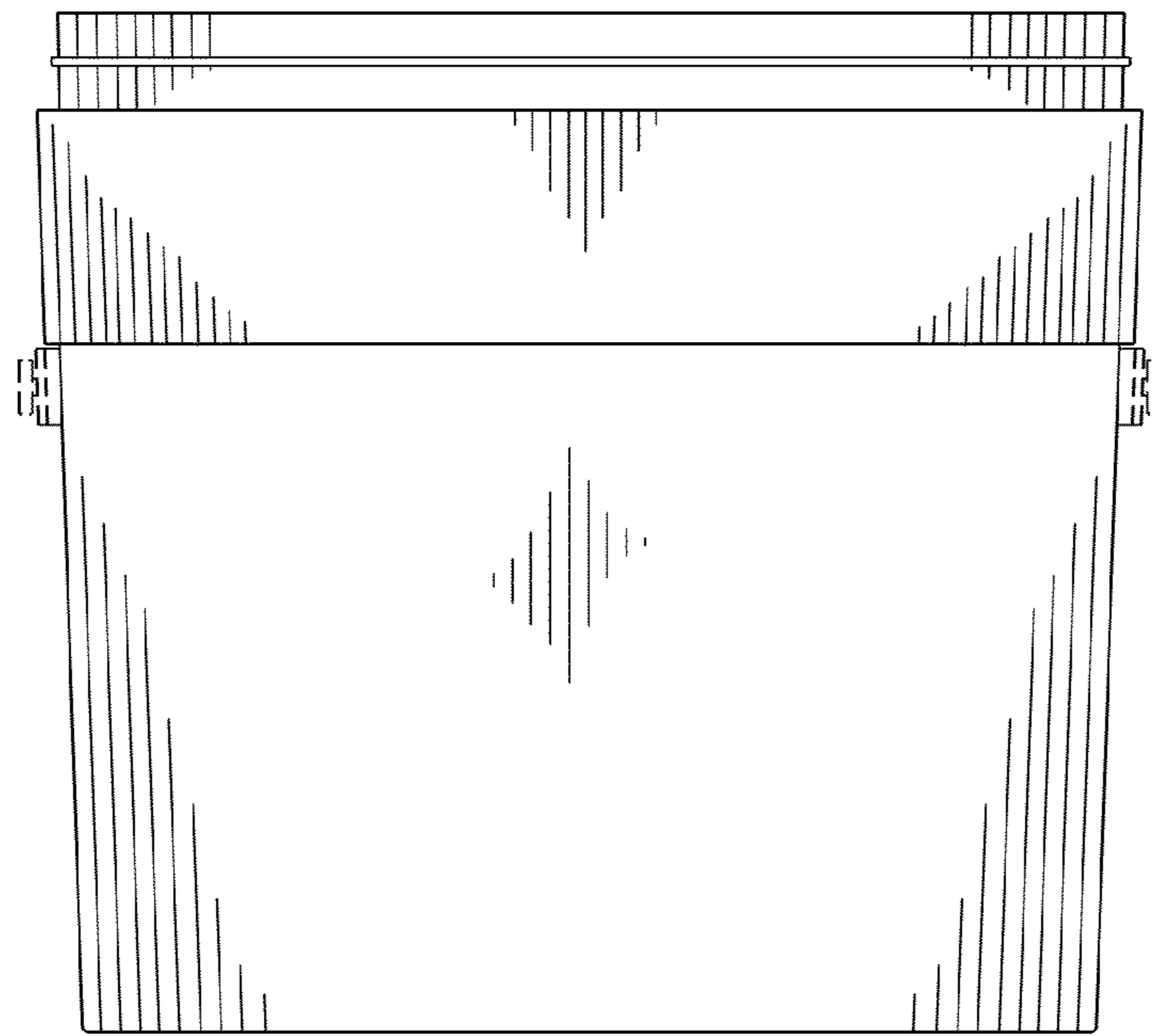


FIG. 6

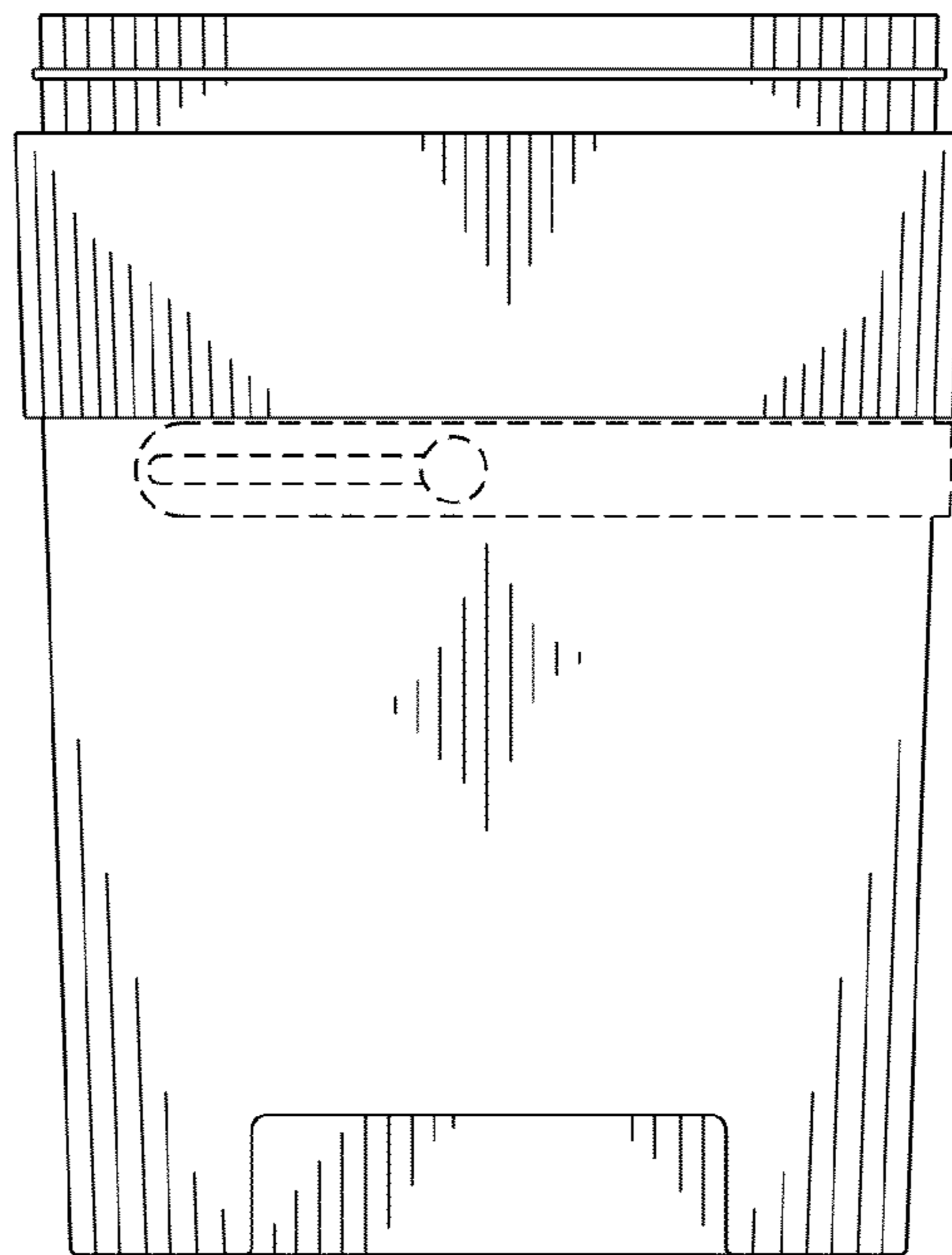


FIG. 7



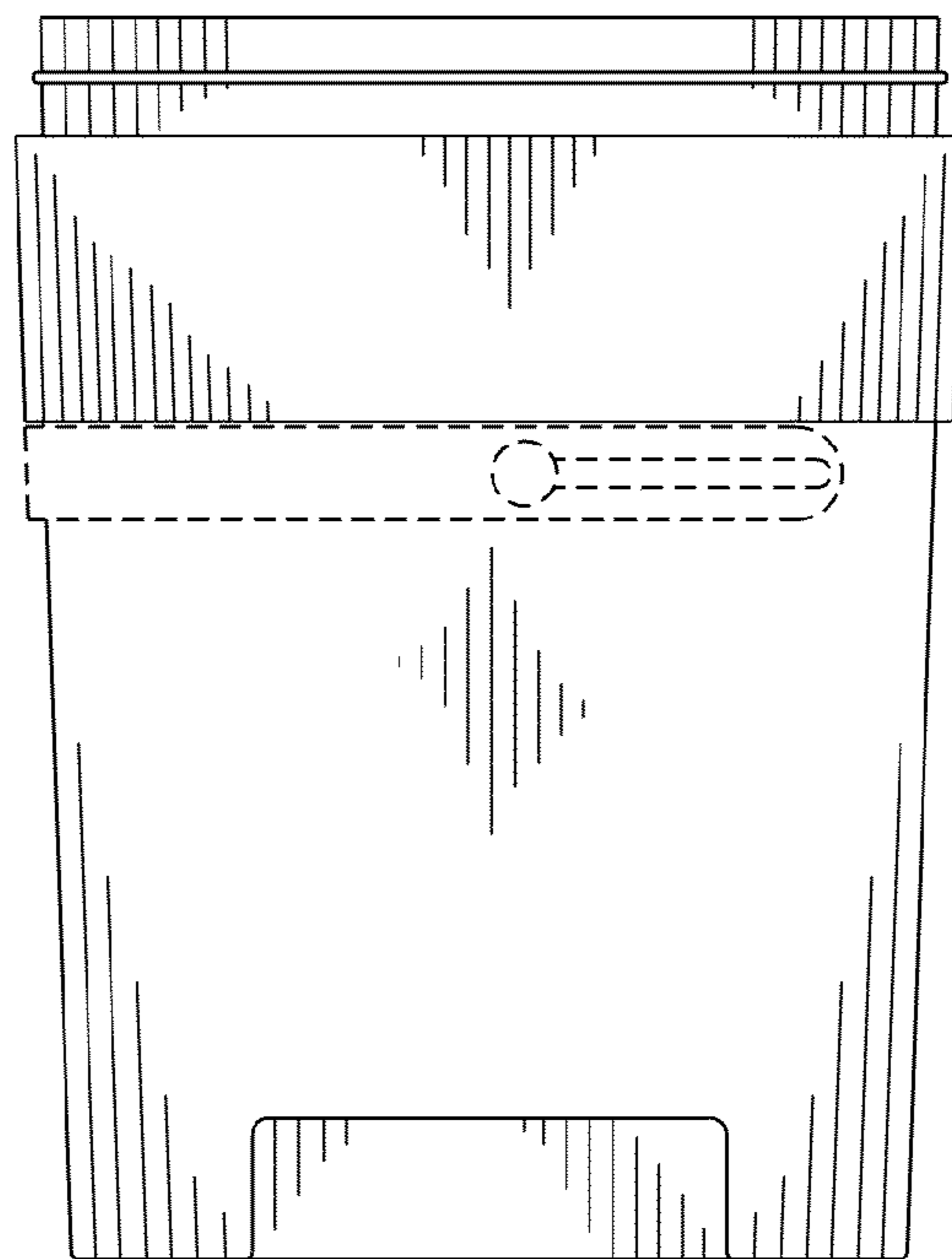


FIG. 8