



US00D729475S

(12) **United States Design Patent**  
**Jang et al.**

(10) **Patent No.:** **US D729,475 S**

(45) **Date of Patent:** **\*\* May 12, 2015**

(54) **HANDLE FOR VACUUM CLEANER**

(71) Applicant: **Samsung Electronics Co., Ltd.**,  
Suwon-si, Gyeonggi-do (KR)

(72) Inventors: **Jae-Ho Jang**, Seoul (KR); **Yeon-Young Nam**, Goyang-si (KR)

(73) Assignee: **Samsung Electronics Co., Ltd.** (KR)

(\*\*) Term: **14 Years**

(21) Appl. No.: **29/468,686**

(22) Filed: **Oct. 2, 2013**

(30) **Foreign Application Priority Data**

Apr. 4, 2013 (KR) ..... 30-2013-0017312

(51) **LOC (10) Cl.** ..... **15-05**

(52) **U.S. Cl.**  
USPC ..... **D32/33; D32/34**

(58) **Field of Classification Search**

USPC ..... D32/15-16, 18-21, 22, 30-34; D15/18;  
D12/111, 114; 15/410-412, 246.2,  
15/320, 329, 344, 350, 347, DIG. 10, 349,  
15/351-353, 340.2, 361, 362; 55/DIG. 3,  
55/323, 337, 429; D8/68-69

See application file for complete search history.

(56) **References Cited**

**U.S. PATENT DOCUMENTS**

D185,697 S \* 7/1959 Descarries ..... D32/31  
D209,573 S \* 12/1967 Leinfelt ..... D32/31  
D275,333 S \* 8/1984 Williams et al. .... D32/31  
D300,574 S \* 4/1989 Smith ..... D32/31  
D313,096 S \* 12/1990 Hayden ..... D32/34

D400,325 S \* 10/1998 Broecking ..... D32/33  
D453,867 S \* 2/2002 Zahuranec et al. .... D32/31  
D506,046 S \* 6/2005 Schroter ..... D32/32  
D513,101 S \* 12/2005 Allard et al. .... D32/32  
7,140,069 B1 \* 11/2006 Dangerfield et al. .... 15/412  
D561,415 S \* 2/2008 Tavano ..... D32/34  
D565,819 S \* 4/2008 Renner ..... D32/34  
D603,570 S \* 11/2009 Svantesson et al. .... D32/32  
D621,566 S \* 8/2010 Crawley et al. .... D32/33  
D641,113 S \* 7/2011 Choi et al. .... D32/34  
D641,114 S \* 7/2011 Choi et al. .... D32/34  
D642,755 S \* 8/2011 Fjellman ..... D32/34  
2012/0042469 A1 \* 2/2012 Davis et al. .... 15/246.2

\* cited by examiner

*Primary Examiner* — Ruth McInroy

(74) *Attorney, Agent, or Firm* — Cantor Colburn LLP

(57) **CLAIM**

We claim, the ornamental design for a handle for vacuum cleaner, as shown and described.

**DESCRIPTION**

FIG. 1 is a perspective view of a handle for vacuum cleaner, showing our new design;  
FIG. 2 is a front elevation view thereof;  
FIG. 3 is a rear elevation view thereof;  
FIG. 4 is a side elevation view thereof;  
FIG. 5 is a another side elevation view thereof;  
FIG. 6 is a top plan view thereof;  
FIG. 7 is a bottom plan view thereof; and,  
FIG. 8 is a perspective view thereof showing the bristles in a retracted position.

The broken lines illustrating portions of the handle for vacuum cleaner are for environmental purposes only and form no part of the claimed design.

**1 Claim, 5 Drawing Sheets**

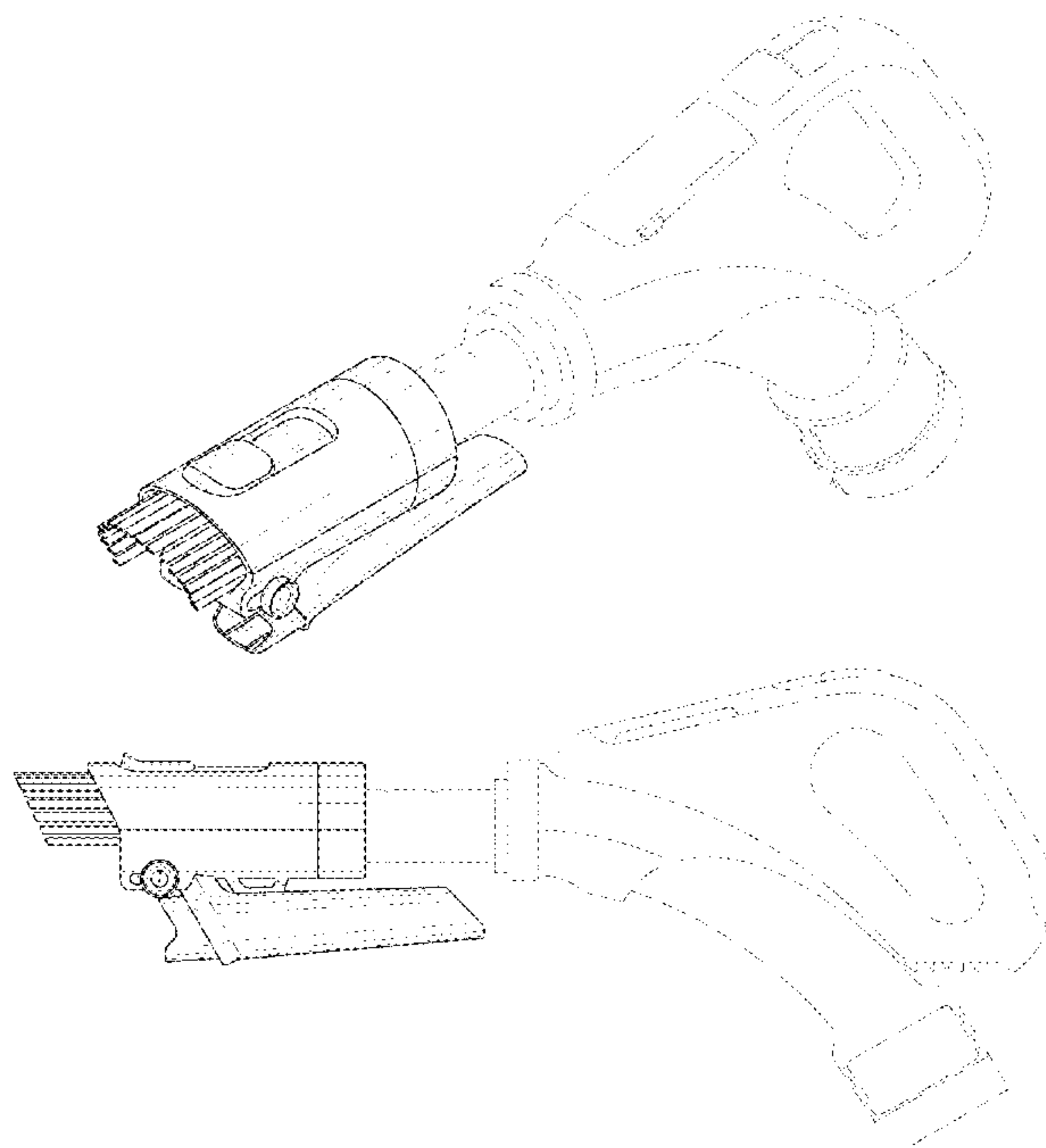


FIG. 1

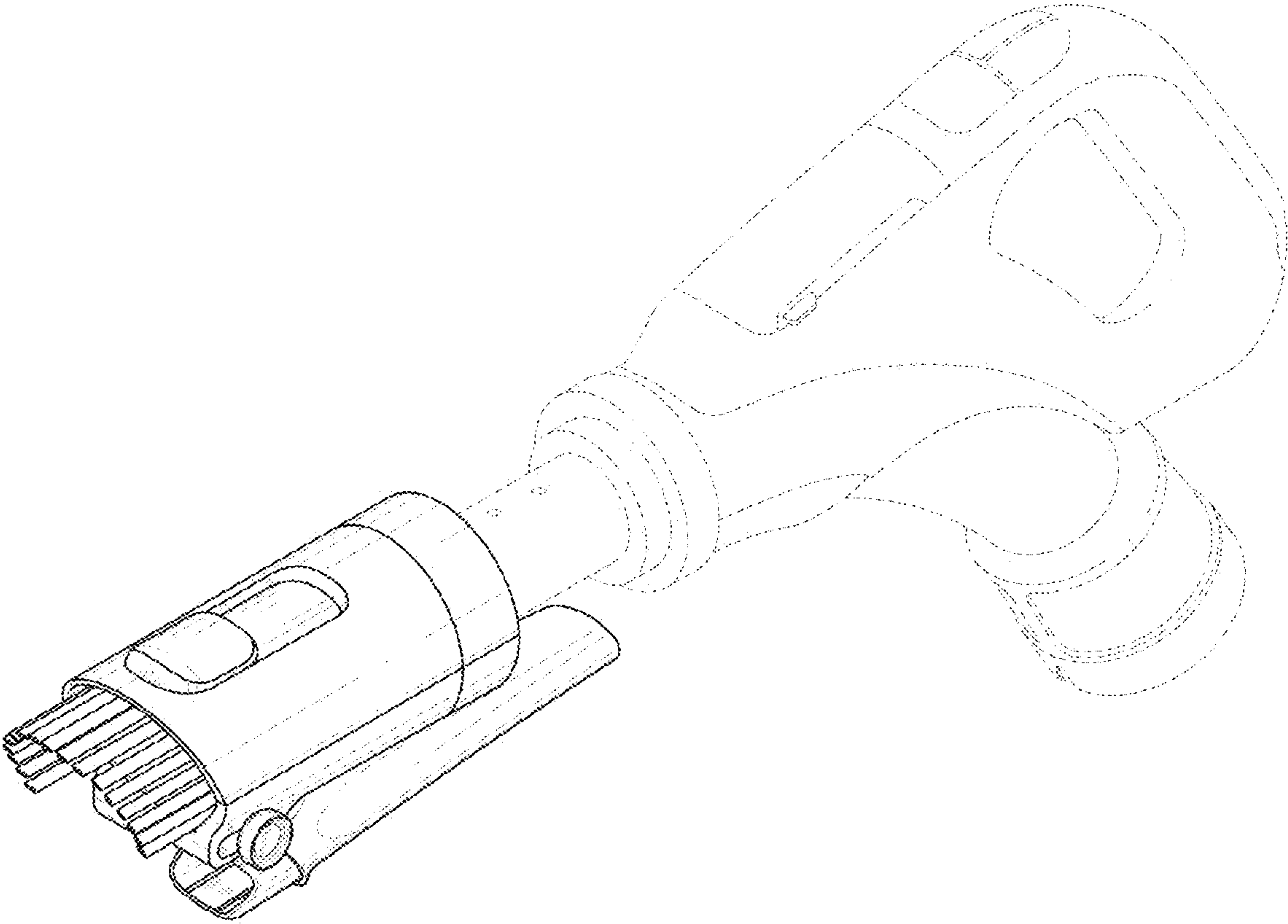


FIG. 2

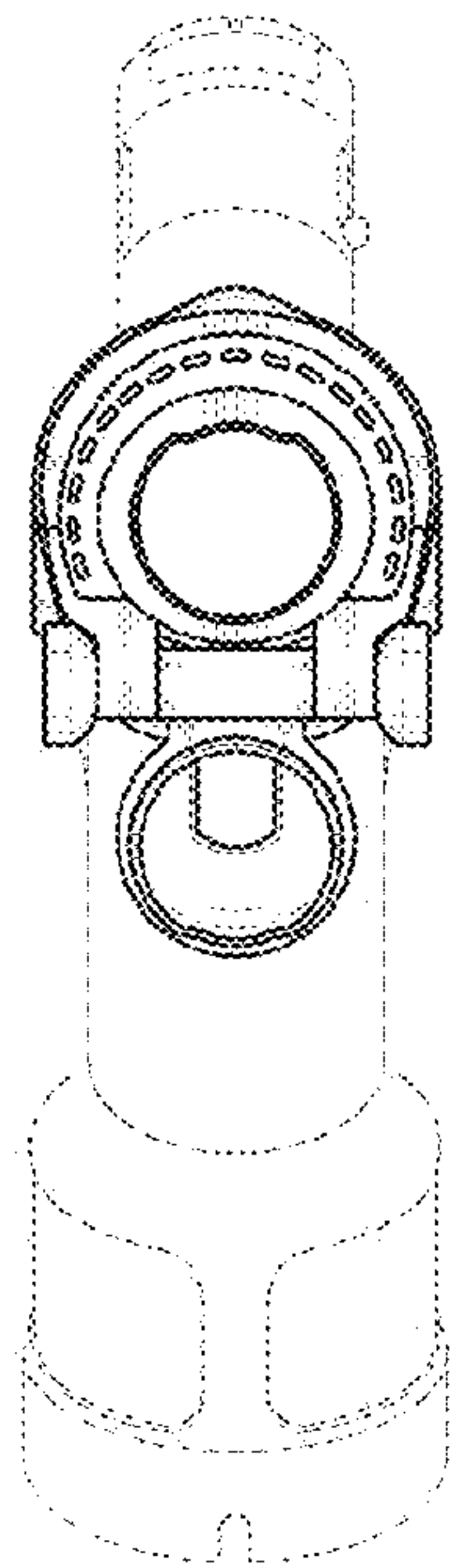


FIG. 3

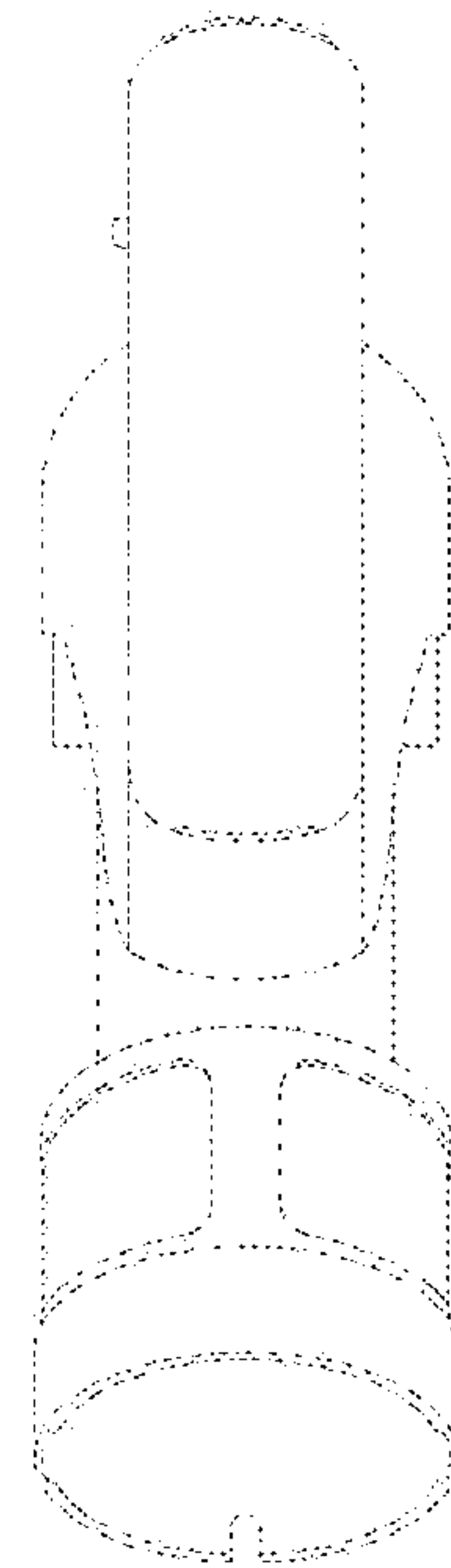


FIG. 4

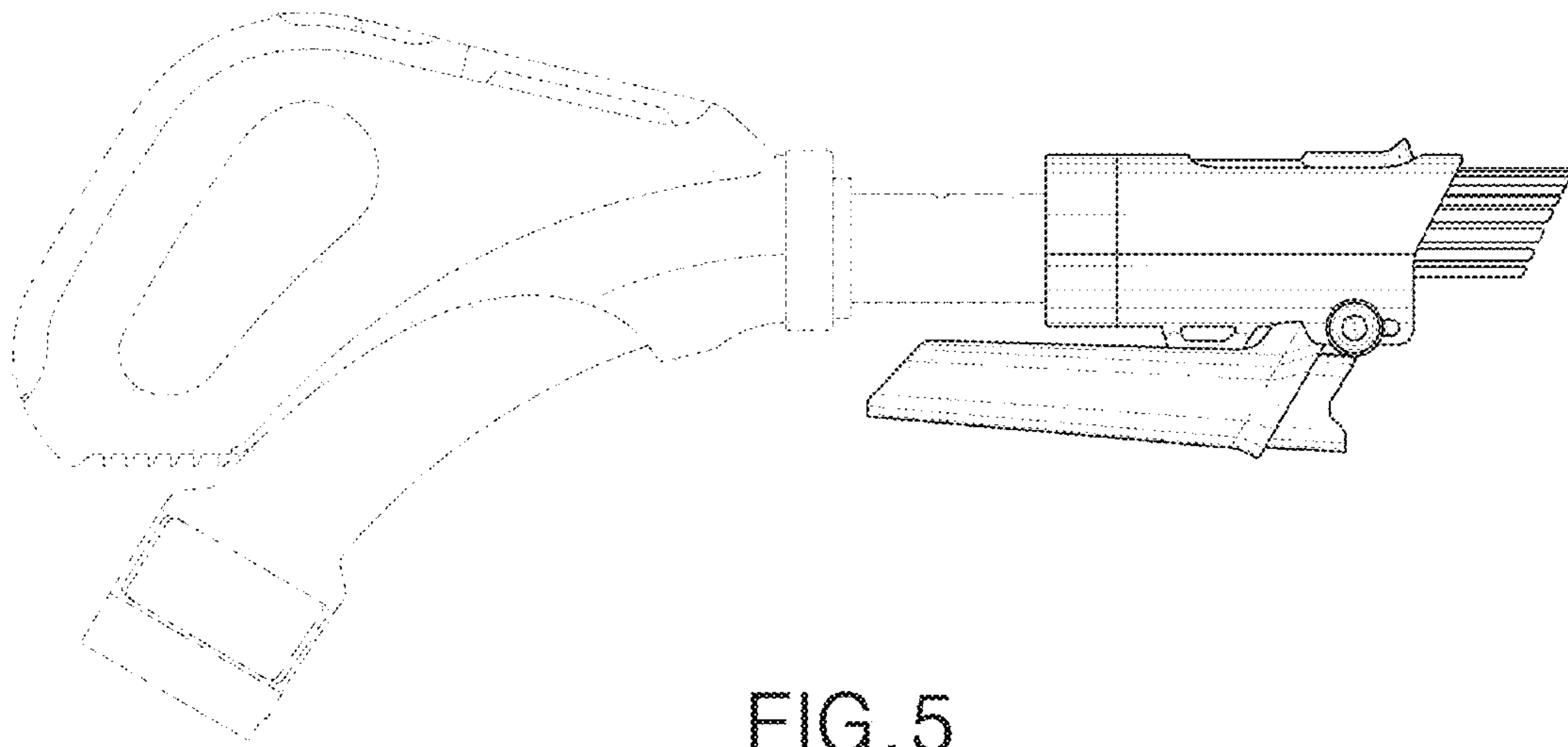


FIG. 5

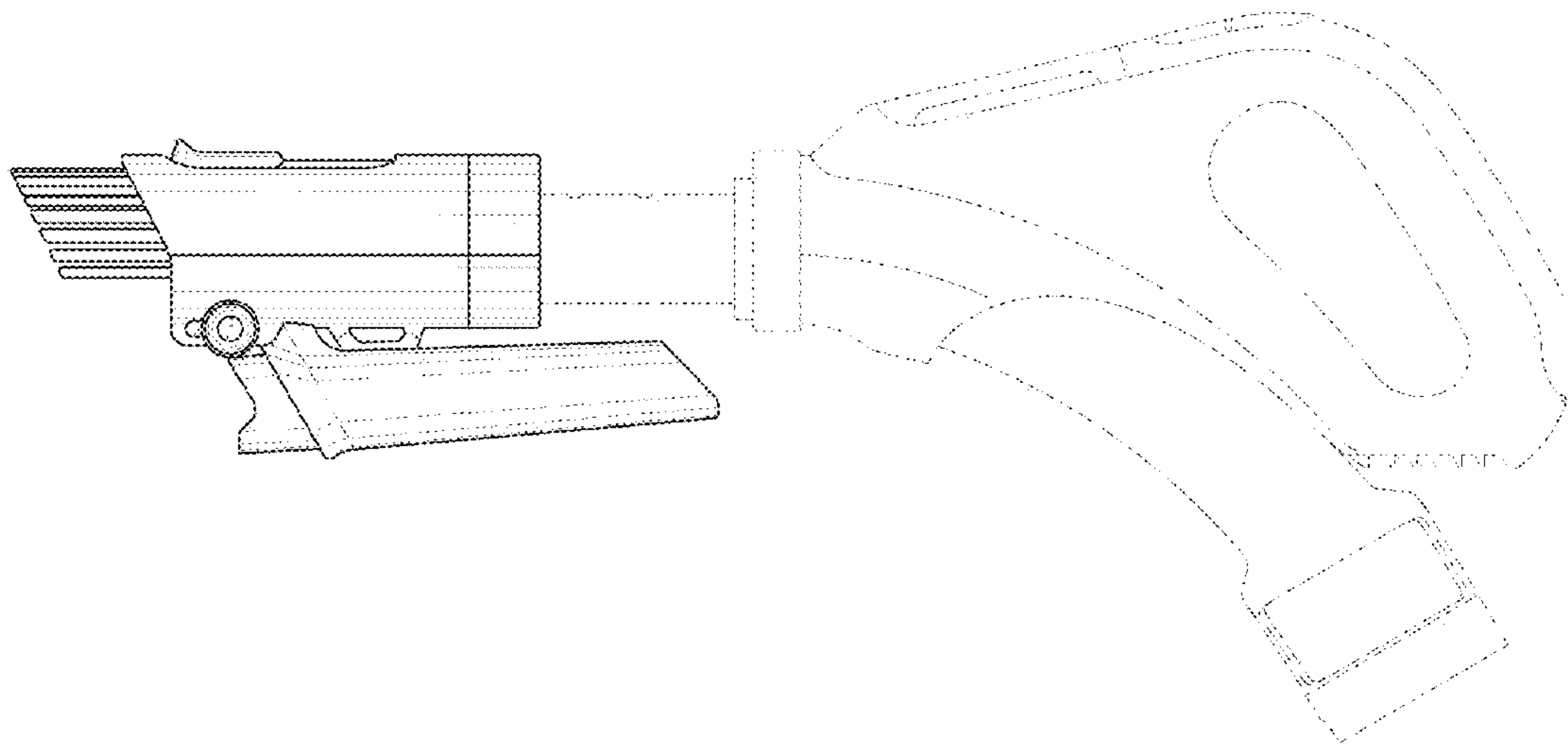


FIG. 6

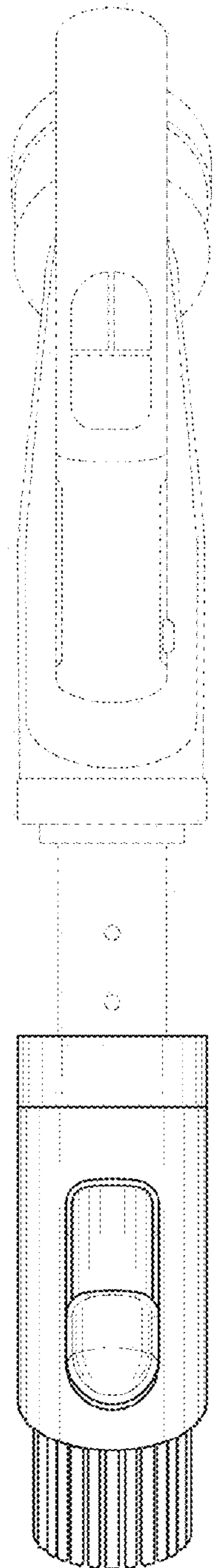


FIG. 7

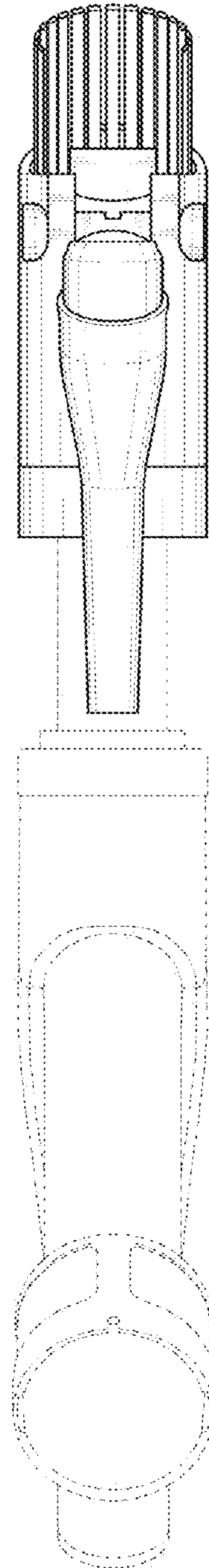




FIG. 8

