



US00D729473S

(12) **United States Design Patent**  
**Ickes, III**

(10) **Patent No.:** **US D729,473 S**

(45) **Date of Patent:** **\*\* May 12, 2015**

(54) **RIDER AREA FOR A FLOOR MAINTENANCE VEHICLE**

(71) Applicant: **Tennant Company**, Minneapolis, MN (US)

(72) Inventor: **John C. Ickes, III**, Rockford, MN (US)

(73) Assignee: **Tennant Company**, Minneapolis, MN (US)

(\*\*) Term: **14 Years**

(21) Appl. No.: **29/446,257**

(22) Filed: **Feb. 21, 2013**

(51) **LOC (10) Cl.** ..... **15-05**

(52) **U.S. Cl.**  
USPC ..... **D32/25**

(58) **Field of Classification Search**  
USPC ..... D32/16, 14, 15, 25, 1; 15/340.4, 50.1, 15/52.1, 340.1, 320, 49.1, 353, 327.1, 15/327.6; 70/90

See application file for complete search history.

(56) **References Cited**

**U.S. PATENT DOCUMENTS**

D189,718	S	*	2/1961	Patch	.....	D32/16
2,972,159	A	*	2/1961	Kimmerle et al.	.....	15/340.4
D228,087	S	*	8/1973	Kasper et al.	.....	D32/16
4,009,500	A	*	3/1977	Ashton	.....	15/50.1
D257,845	S	*	1/1981	Peabody et al.	.....	D32/16
D267,824	S	*	2/1983	Mannelly	.....	D32/16
D273,620	S	*	4/1984	Kimzey et al.	.....	D32/16
D273,622	S	*	4/1984	Brown et al.	.....	D32/16
D314,257	S	*	1/1991	Hoover	.....	D32/15
D329,311	S	*	9/1992	Knowlton et al.	.....	D32/16
5,509,162	A	*	4/1996	Burgoon	.....	15/52.1
D376,227	S	*	12/1996	Knowlton et al.	.....	D32/16
D382,383	S	*	8/1997	Knowlton et al.	.....	D32/16
D391,699	S	*	3/1998	Creecy	.....	D32/16
D409,544	S	*	5/1999	Voss et al.	.....	
6,442,789	B1		9/2002	Legatt et al.	.....	
6,964,081	B1	*	11/2005	Clement et al.	.....	15/320
D580,606	S	*	11/2008	Dammkoehler et al.	.....	D32/16

D589,662	S	*	3/2009	Dammkoehler et al.	.....	D32/16
D622,918	S	*	8/2010	Choi et al.	.....	D32/25
2002/0148068	A1	*	10/2002	Legatt et al.	.....	15/340.1
2009/0192691	A1	*	7/2009	O'Connor et al.	.....	701/90

**FOREIGN PATENT DOCUMENTS**

CN	300883078	*	2/2009
CN	301020528	*	9/2009

**OTHER PUBLICATIONS**

Electric Street Sweeper, Announced Sep. 3, 2015, [Site Visited Jan. 8, 2015][http://cnfloormate.en.alibaba.com/product/356001876-210351162/electric\\_street\\_sweeper\\_FM\\_09\\_1550.html](http://cnfloormate.en.alibaba.com/product/356001876-210351162/electric_street_sweeper_FM_09_1550.html).\*

\* cited by examiner

*Primary Examiner* — John Windmuller

*Assistant Examiner* — Luqman McNeil

(74) *Attorney, Agent, or Firm* — Fredrikson & Byron, P.A.

(57) **CLAIM**

I claim the ornamental design for a rider area for a floor maintenance vehicle, as shown and described.

**DESCRIPTION**

FIG. 1 is a front perspective view of a rider area for a floor maintenance vehicle of my design shown in its ordinary environment when in use, mounted at the front end of a floor maintenance vehicle;

FIG. 2 is a front perspective view of the rider area for a floor maintenance vehicle of my design;

FIG. 3 is a front elevational view thereof;

FIG. 4 is a rear elevational view thereof; and

FIG. 5 is a right-side elevation view thereof;

FIG. 6 is a left-side elevation view thereof;

FIG. 7 is a top plan view thereof; and,

FIG. 8 is a bottom plan view thereof.

Where included, broken lines showing environment or structure are for illustrative purposes only and form no part of the claimed design.

**1 Claim, 5 Drawing Sheets**

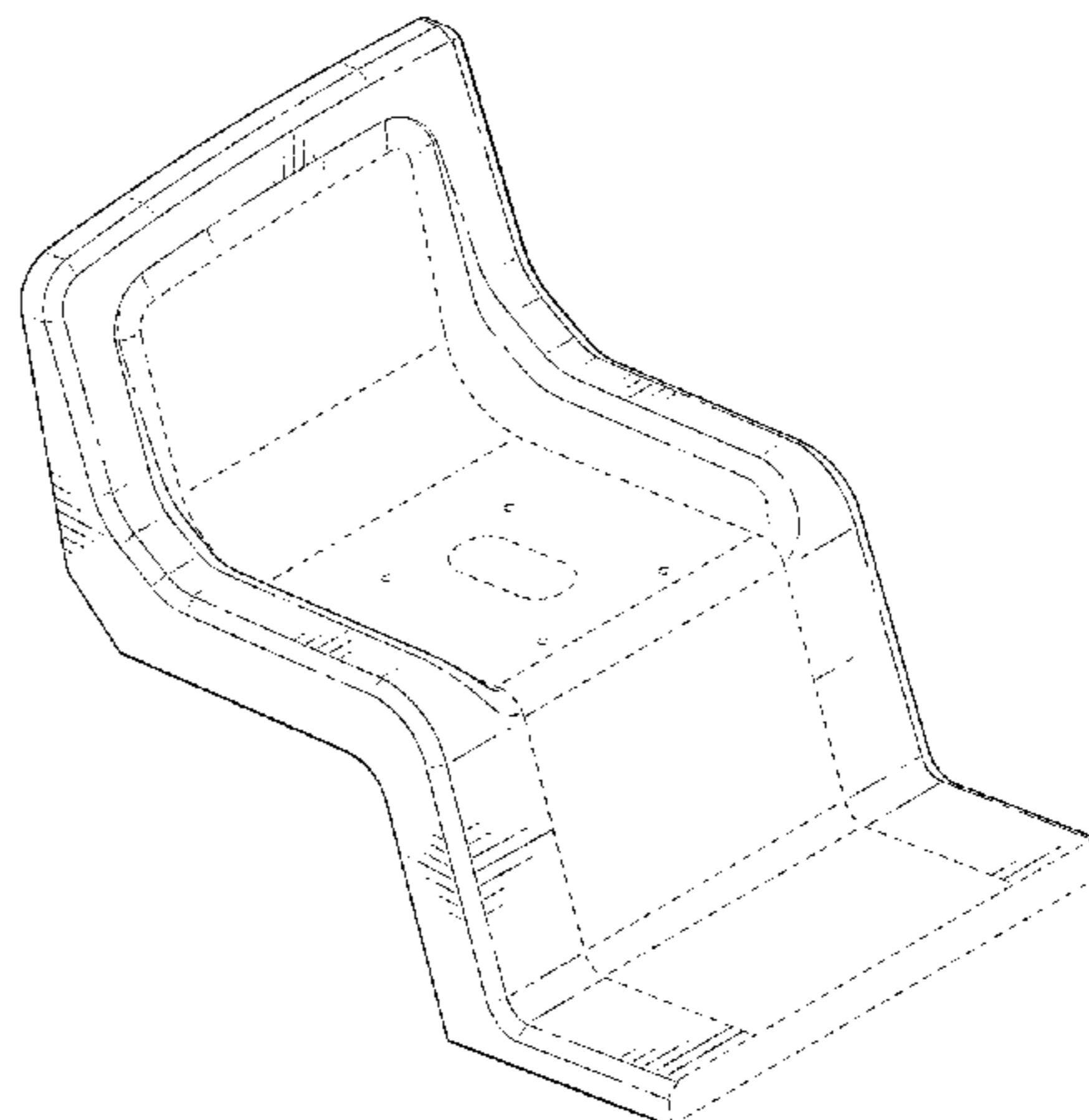
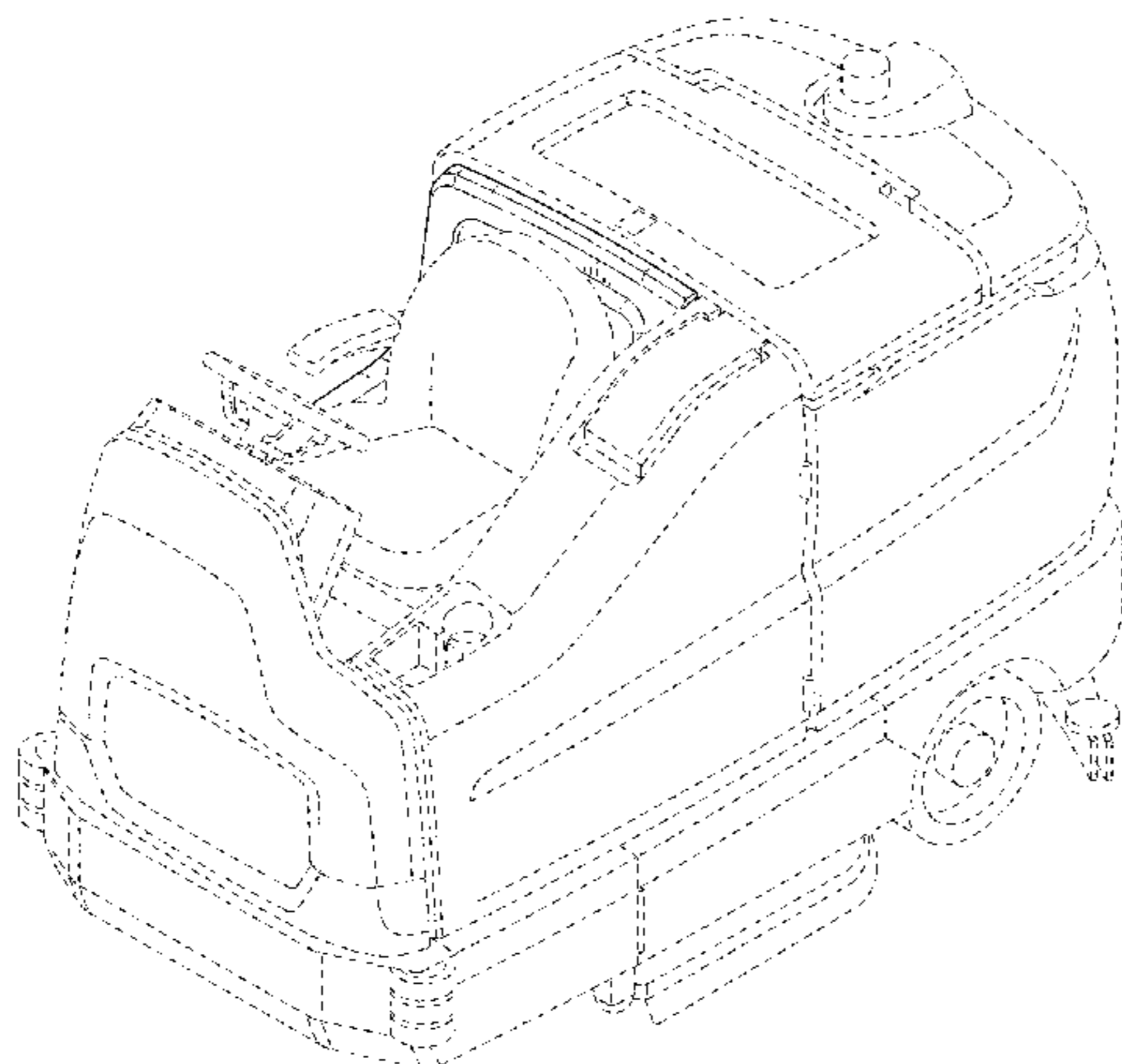
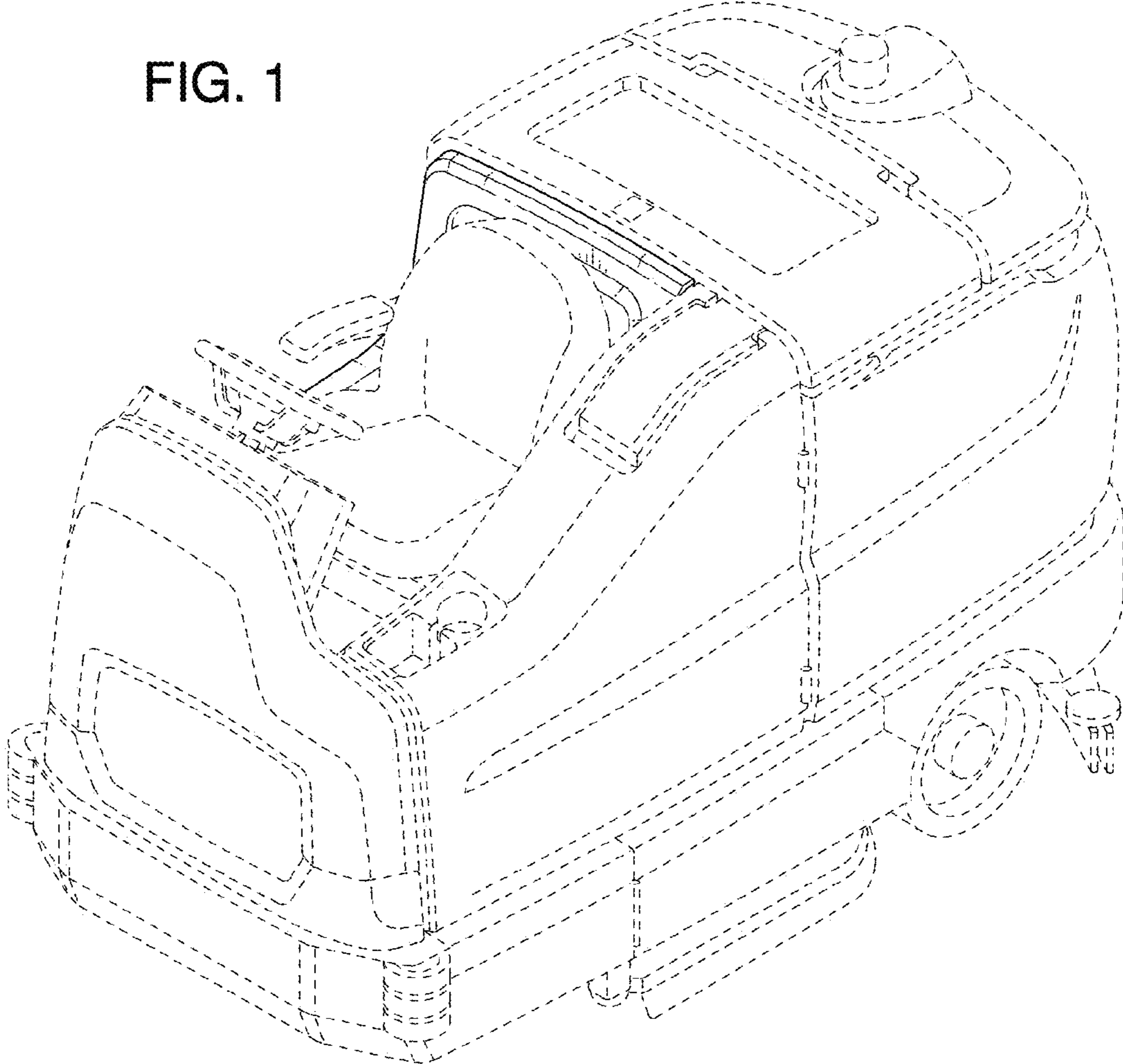


FIG. 1



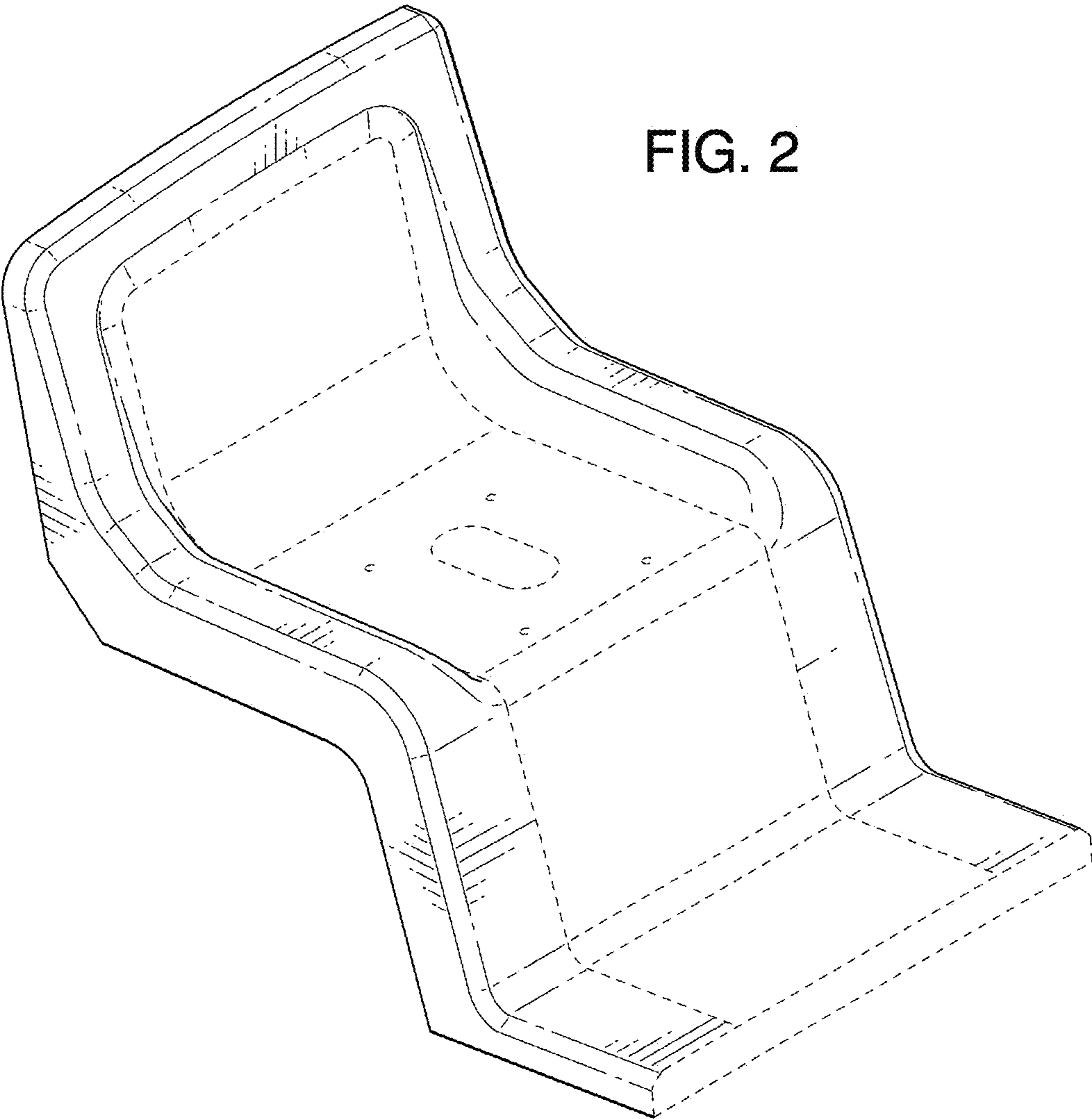


FIG. 2

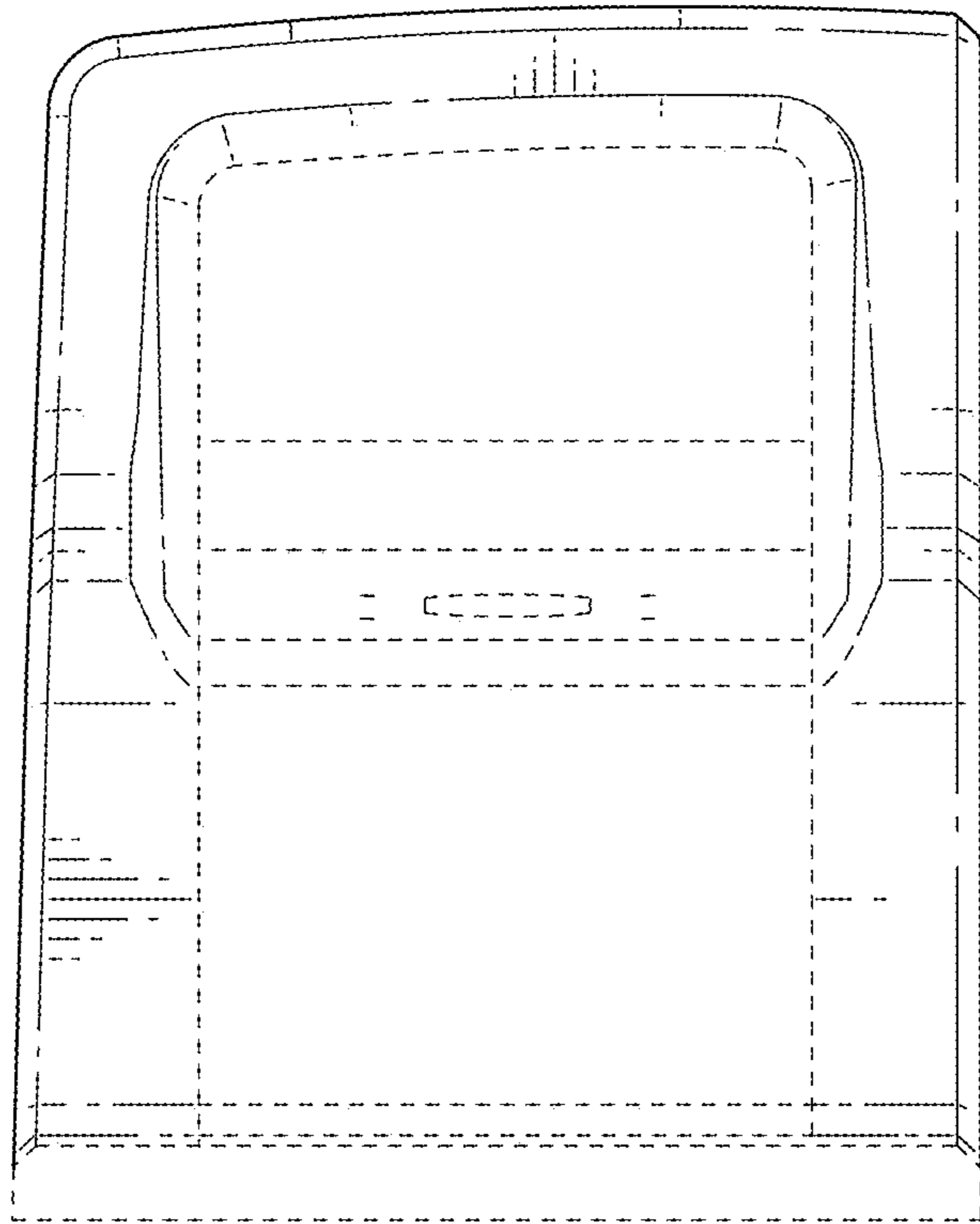


FIG. 3

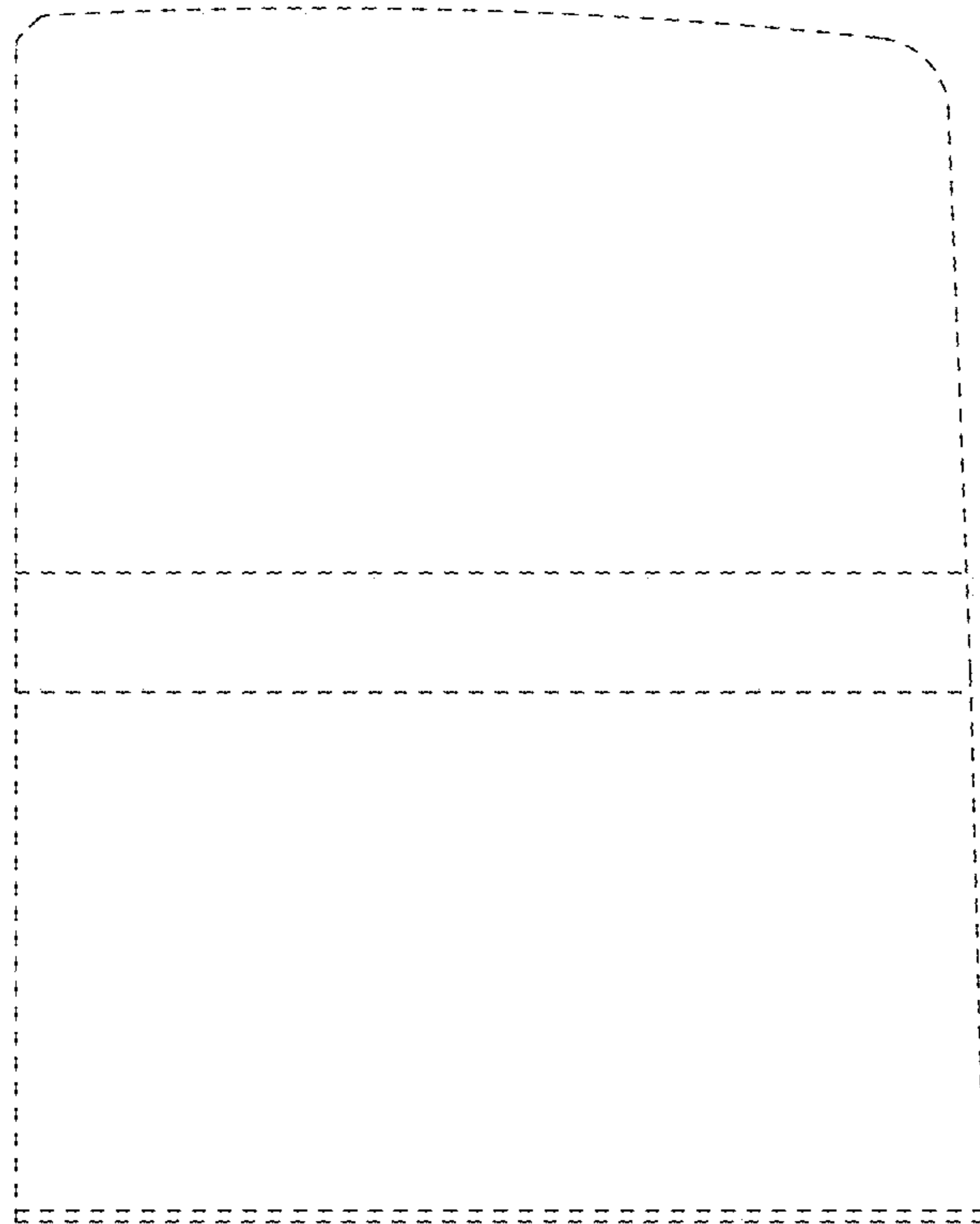


FIG. 4

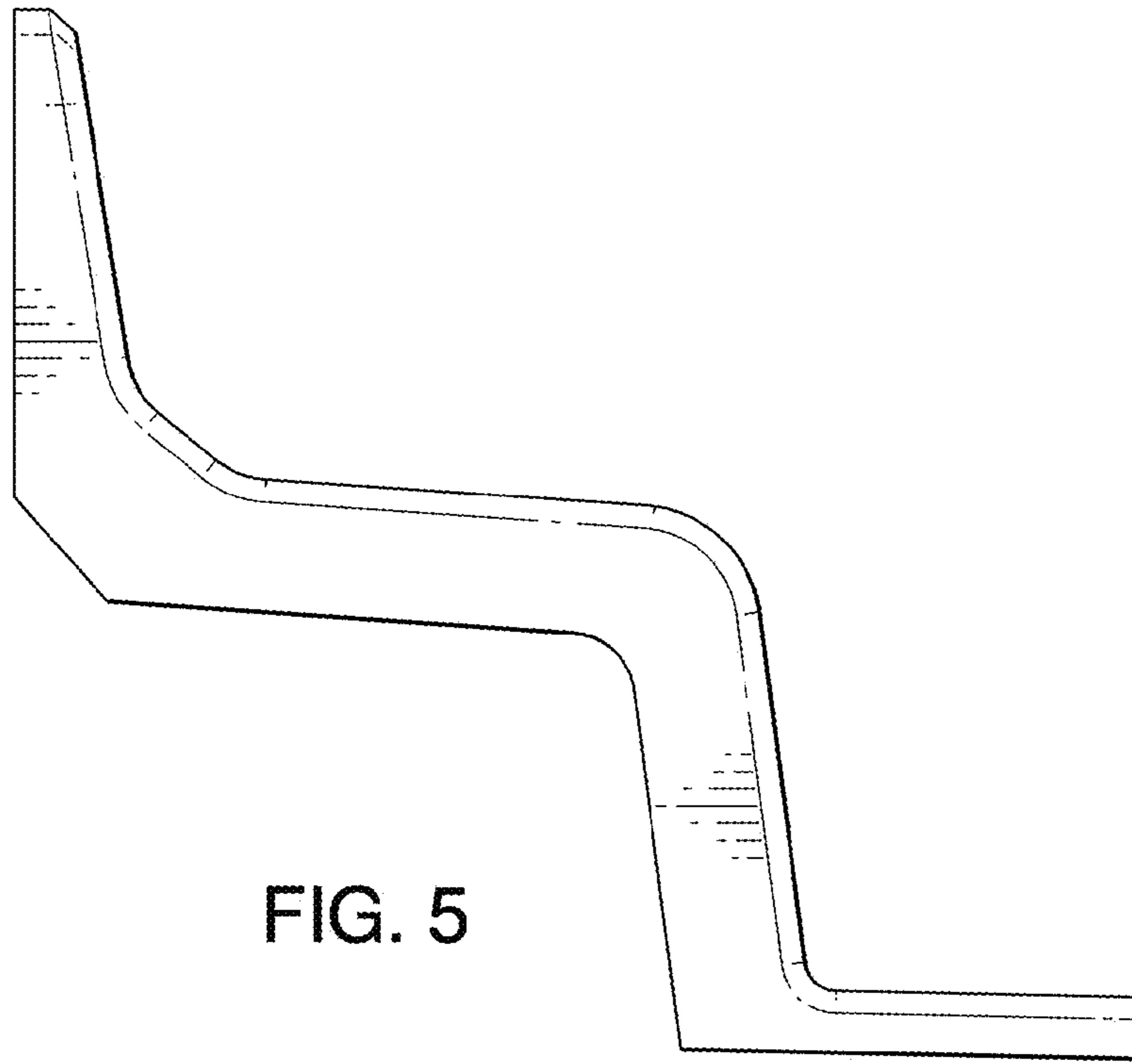


FIG. 5

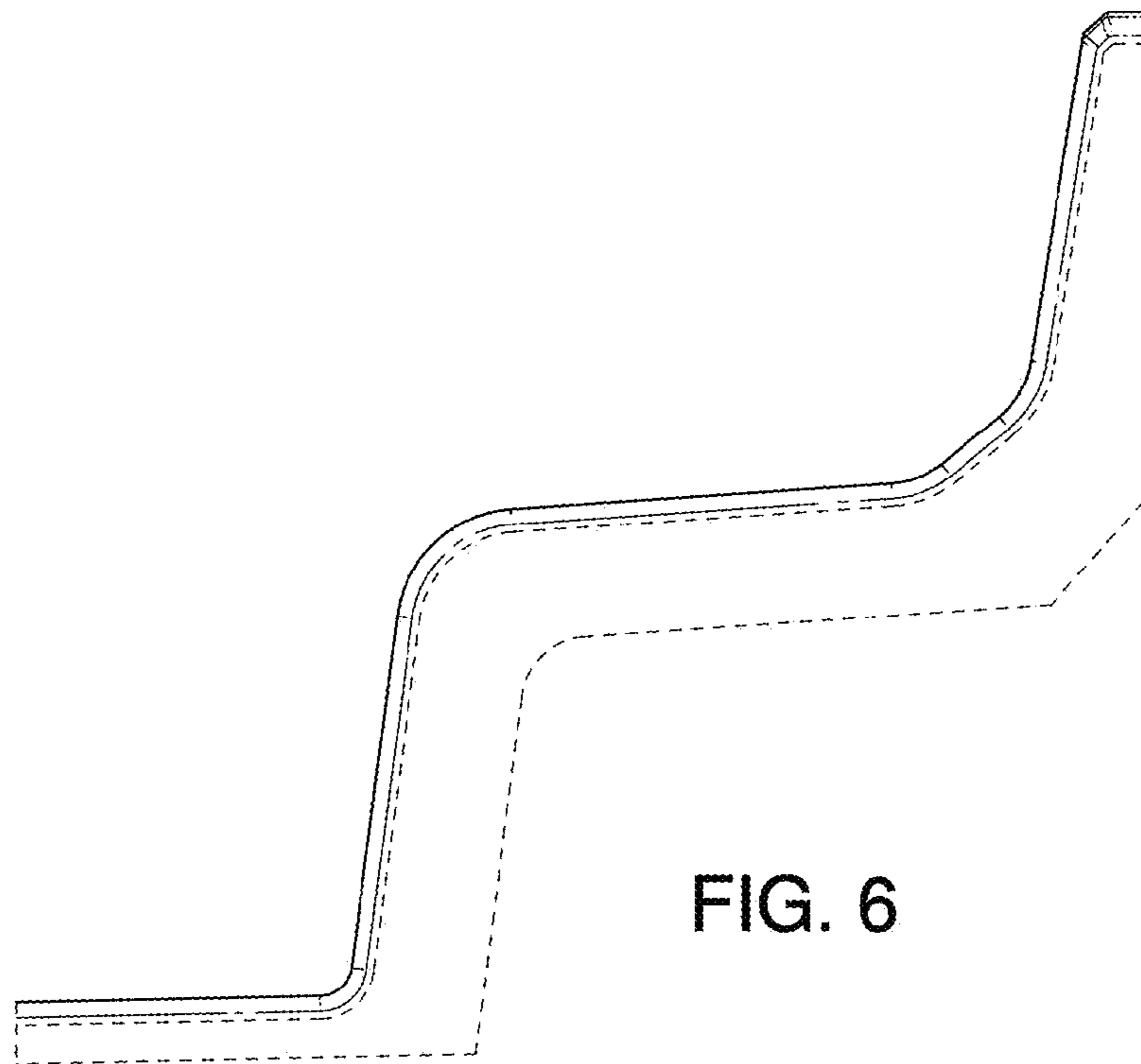


FIG. 6

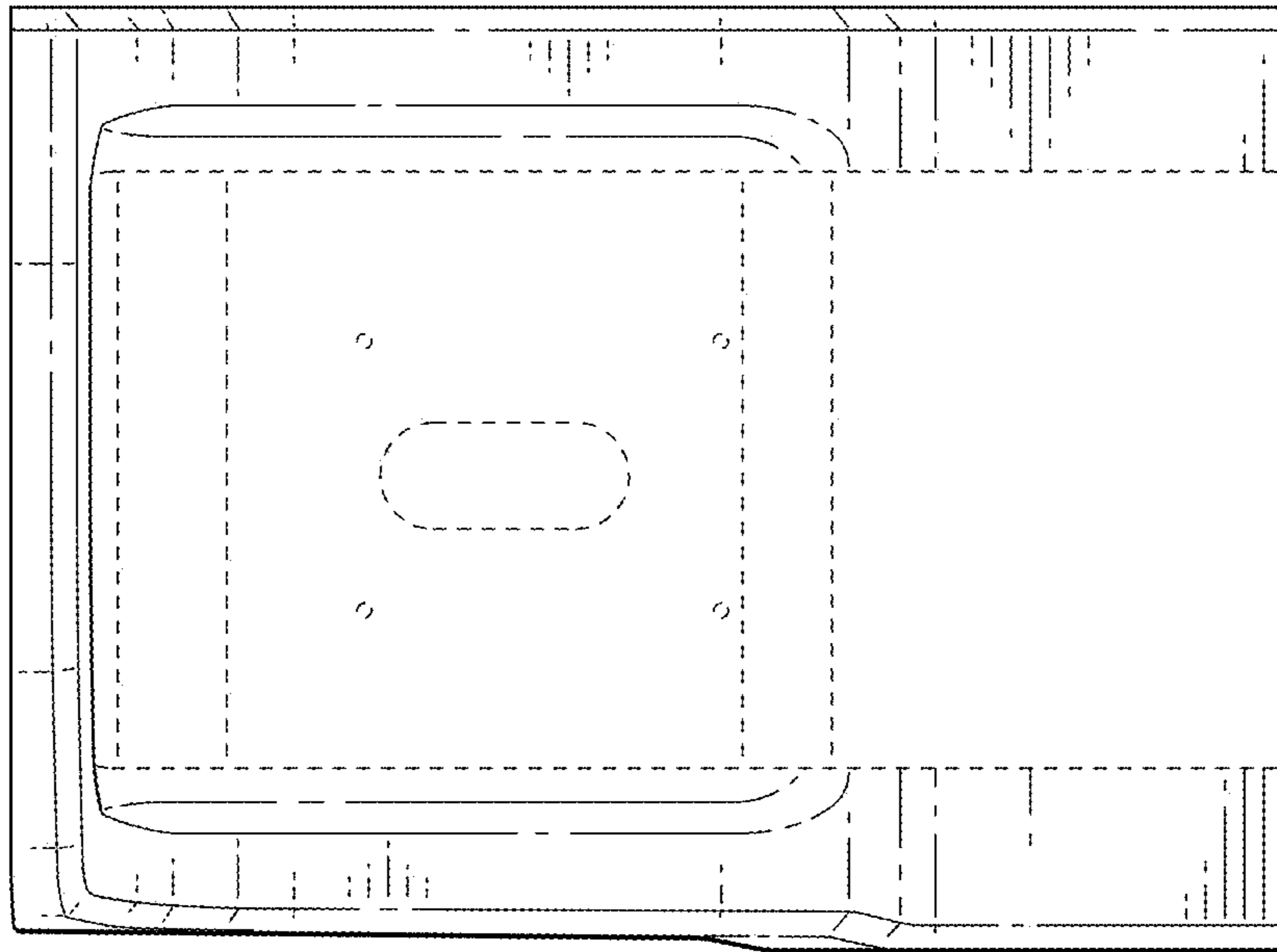


FIG. 7

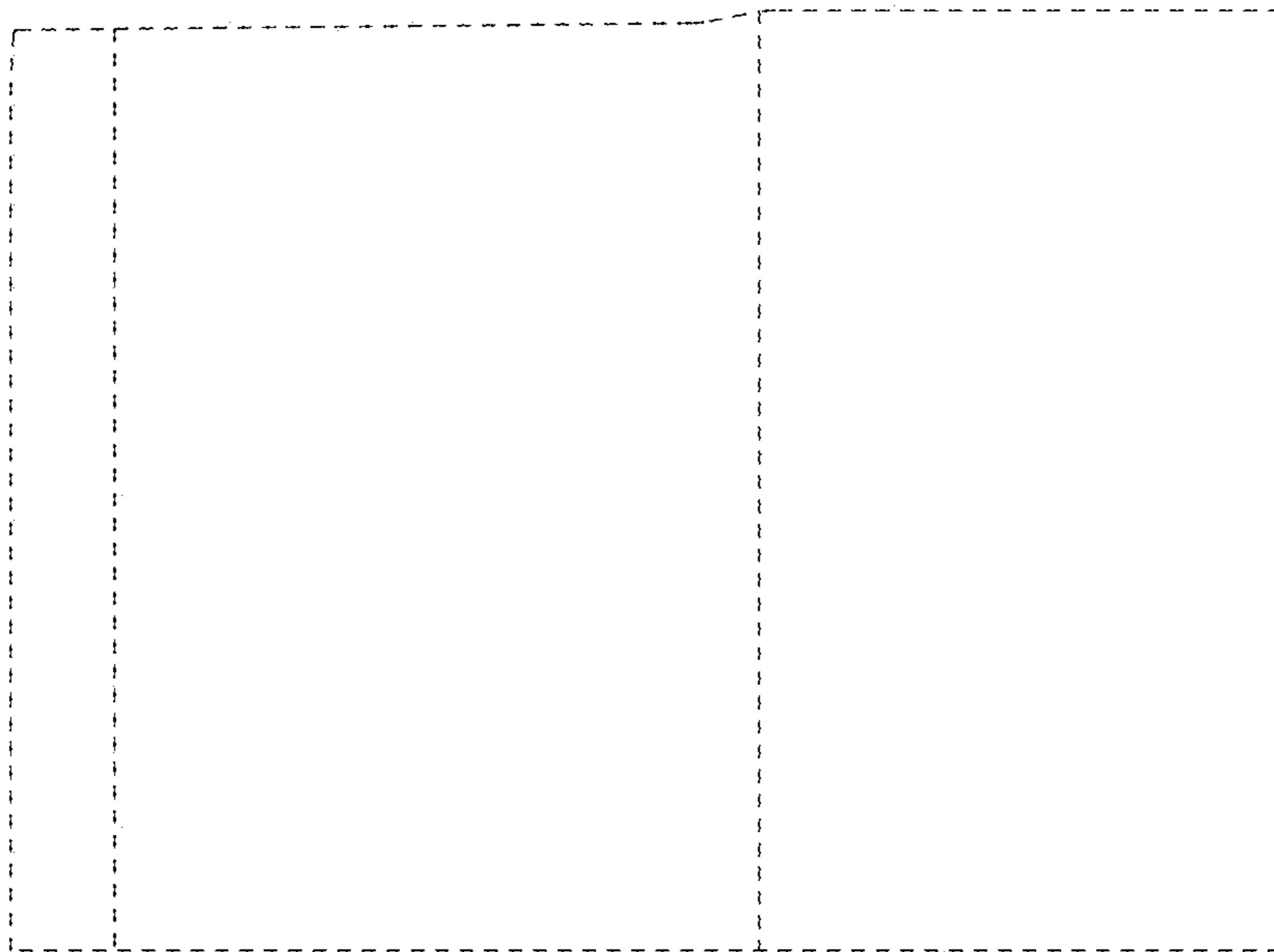


FIG. 8