



US00D729469S

(12) **United States Design Patent**
Dammkoehler

(10) **Patent No.:** **US D729,469 S**

(45) **Date of Patent:** **** May 12, 2015**

(54) **HIGH PRESSURE CLEANER**

(71) Applicant: **Alfred Kaercher GmbH & Co. KG,**
Winnenden (DE)

(72) Inventor: **Denis Dammkoehler,** Backnang (DE)

(73) Assignee: **Alfred Kaercher GmbH & Co. KG,**
Winnenden (DE)

(**) Term: **14 Years**

(21) Appl. No.: **29/471,381**

(22) Filed: **Oct. 31, 2013**

(30) **Foreign Application Priority Data**

May 7, 2013 (WO) DM/080 849

(51) **LOC (10) Cl.** **15-05**

(52) **U.S. Cl.**
USPC **D32/15**

(58) **Field of Classification Search**
USPC D15/7; D23/225; 15/321, 320, 315,
15/340.1, 344-345, 412, 414, 415.1;
D32/1, 5, 21, 15; D7/605, 607;
134/198; 239/146-149, 515, 722;
417/360, 364

See application file for complete search history.

(56) **References Cited**

U.S. PATENT DOCUMENTS

D217,399	S	*	4/1970	Whitney	D15/7
D284,885	S	*	7/1986	Nakamura	D23/225
4,910,828	A	*	3/1990	Blase et al.	15/321
5,146,647	A	*	9/1992	Blase et al.	15/321
D334,972	S	*	4/1993	Berfield et al.	D23/225
D340,556	S	*	10/1993	Berfield et al.	D32/1
D341,009	S	*	11/1993	Berfield et al.	D32/1
D341,450	S	*	11/1993	Tinius	D32/15
D352,146	S	*	11/1994	Wulff	D32/24
D354,753	S	*	1/1995	Turner et al.	D15/7
D366,599	S	*	1/1996	Brown et al.	D7/605

D383,573	S	*	9/1997	Saunders	D32/21
D417,126	S	*	11/1999	Arnfelt	D7/605
D451,766	S	*	12/2001	King et al.	D7/605
D467,468	S	*	12/2002	Krieger et al.	D7/605
D475,251	S	*	6/2003	Crandall et al.	D7/607
D484,004	S	*	12/2003	Lee	D7/605
D496,764	S	*	9/2004	Lopano	D32/21
D506,042	S	*	6/2005	Griffin et al.	D32/21
D507,386	S	*	7/2005	Griffin et al.	D32/21

(Continued)

FOREIGN PATENT DOCUMENTS

CA	139377	*	10/2011
CN	301699847	*	10/2011

OTHER PUBLICATIONS

Cam Spray Model 1000a hand Carry Series Electric Pressure Washer, Announced Aug. 13, 2003, [Site Visited Dec. 31, 2014] http://www.camspray.com/cam_spray_model_1000a_hand_carry_series_electric_pressure_washer-p-323.html.*

(Continued)

Primary Examiner — John Windmuller

Assistant Examiner — Luqman McNeil

(74) *Attorney, Agent, or Firm* — Lipsitz & McAllister, LLC

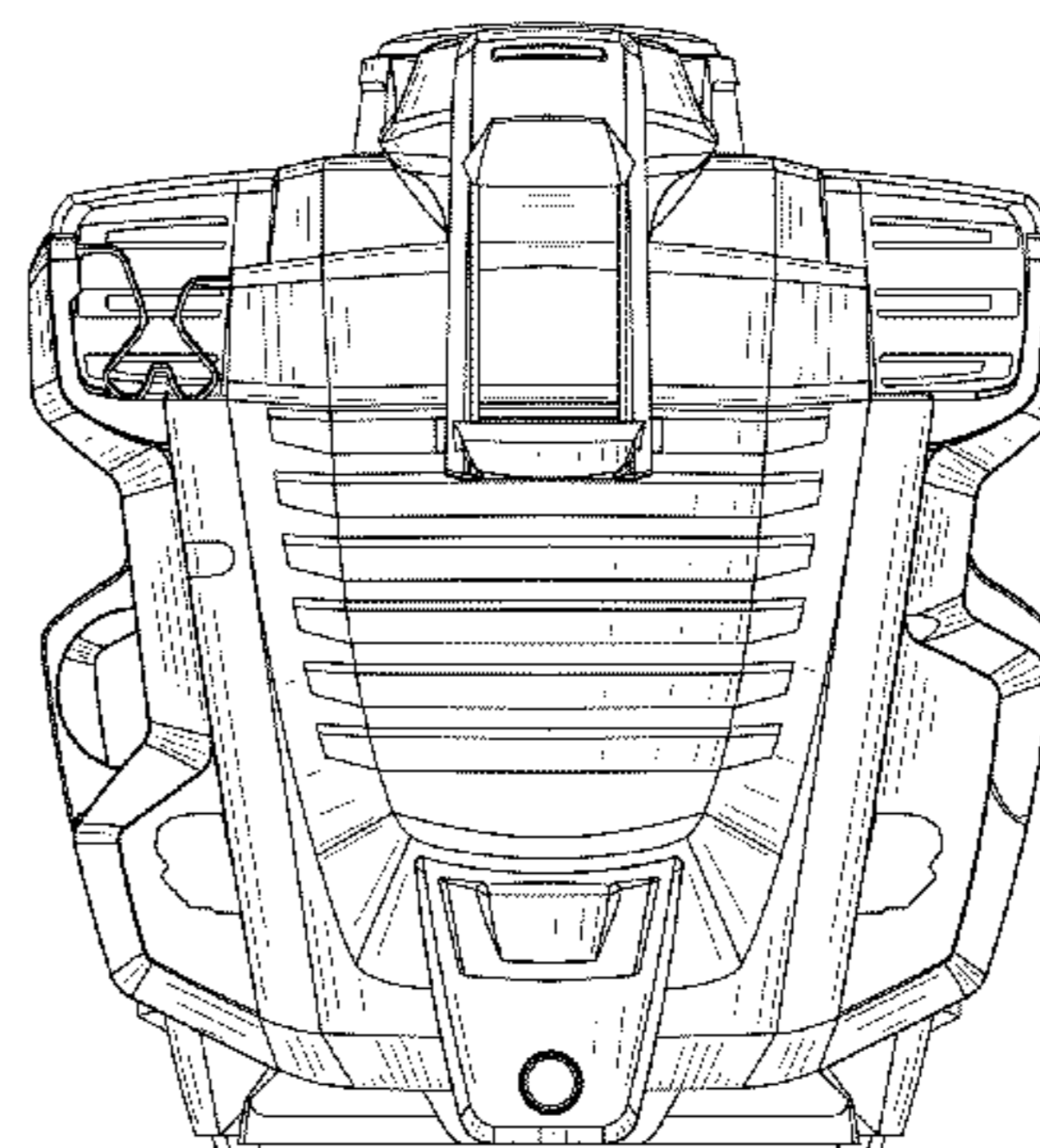
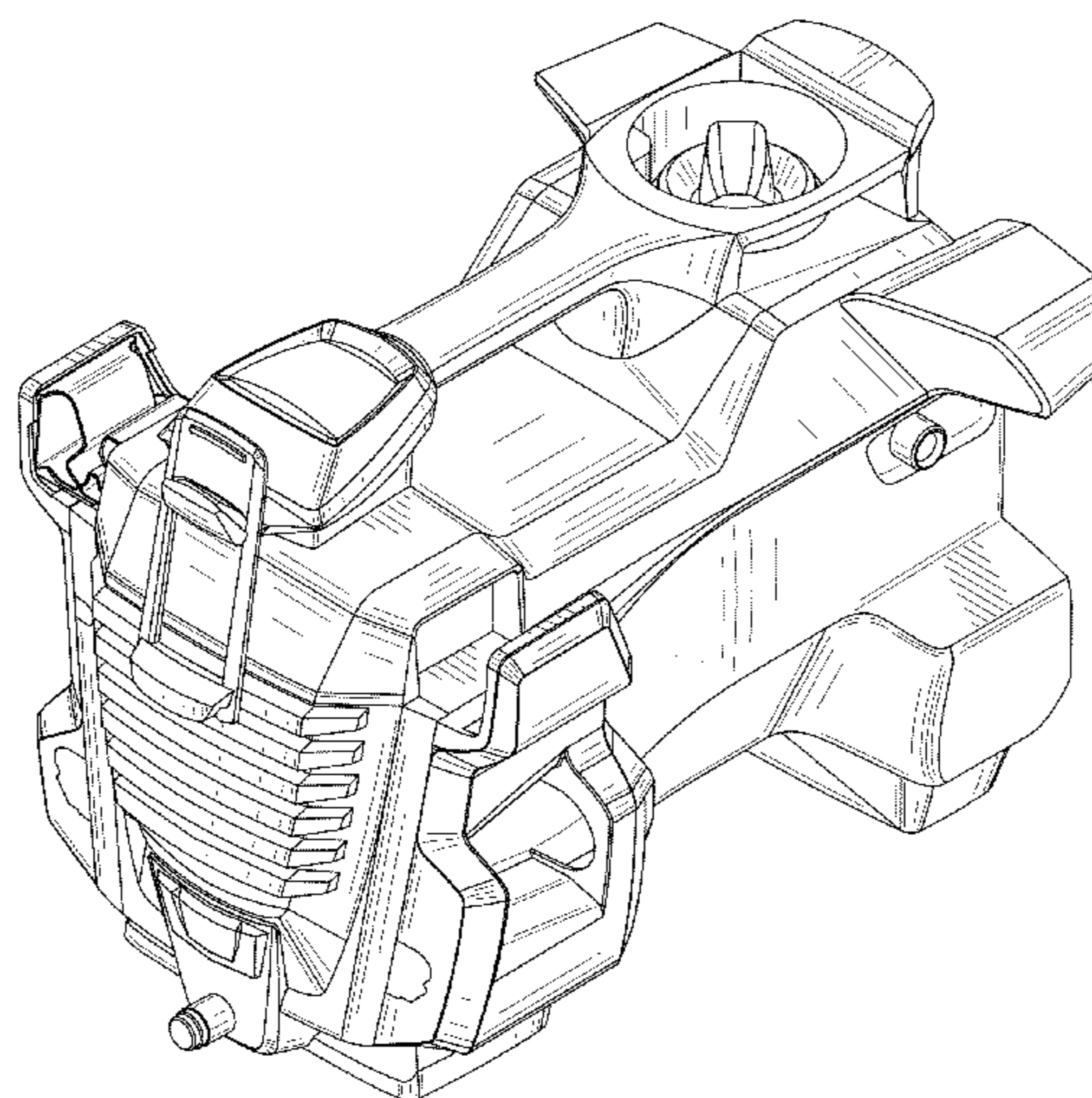
(57) **CLAIM**

The ornamental design for a high pressure cleaner, as shown and described.

DESCRIPTION

FIG. 1 is a front, top and left side perspective view of a high pressure cleaner showing the new design; FIG. 2 is a front, top and right side perspective view thereof; FIG. 3 is a front elevational view thereof; FIG. 4 is a left side elevational view thereof; FIG. 5 is a rear elevational view thereof; FIG. 6 is a right side elevational view thereof; and, FIG. 7 is a top plan view thereof.

1 Claim, 7 Drawing Sheets



(56)

References Cited

U.S. PATENT DOCUMENTS

D527,503	S *	8/2006	Griffin et al.	D32/21
D528,256	S *	9/2006	Beth et al.	D32/21
D547,014	S *	7/2007	Chen	D32/15
D551,813	S *	9/2007	Renner et al.	D32/15
D568,007	S *	4/2008	Li	D32/15
D568,558	S *	5/2008	Li	D32/15
D568,559	S *	5/2008	Li	D32/15
D568,560	S *	5/2008	Li	D32/15
D588,313	S *	3/2009	Conner et al.	D32/15
D630,390	S *	1/2011	Meyer	D32/15
D634,903	S *	3/2011	Wise	D32/15
2008/0105283	A1 *	5/2008	Pianetto et al.	134/198

OTHER PUBLICATIONS

Electric Pressure Washer (LT-590)—Lutian, Announced Dec. 12, 2010, [Site Visited Jan. 5, 2015], [http://www.chinalutian.com/products/Electric-Pressure-Washer-Series/Electric-Pressure-Washer\(LT-590\).htm](http://www.chinalutian.com/products/Electric-Pressure-Washer-Series/Electric-Pressure-Washer(LT-590).htm).*

Extract from catalog of Alfred Kaercher GmbH & Co. KG, “Programme 2008”, cover, pp. 18-33, 95-103, 107 and last page (Dec. 2007).

Extract from catalog of Alfred Kaercher GmbH & Co. KG, “Programme 2009 Kaercher Professional Commercial”, cover, pp. 10-17, 20-21 and last page (Mar. 2009).

Extract from catalog of Alfred Kaercher GmbH & Co. KG, “Programme 2009 Kaercher Residential”, cover, pp. 10-27 and last page (Mar. 2009).

Extract from catalog of Alfred Kaercher GmbH & Co. KG, “Programme 2010 Kaercher Home and Garden”, cover, pp. 10-24 and last page (Nov. 2009).

Extract from catalog of Alfred Kaercher GmbH & Co. KG, “Programme 2010 Kaercher Professional”, cover, pp. 10-18, 21, 25 and last page (Nov. 2009).

Extract from catalog of Alfred Kaercher GmbH & Co. KG, “Programme 2011 Kaercher Professional”, cover, pp. 12, 14, 16, 18, 24, 26 and last page (Nov. 2010).

Extract from catalog of Alfred Kaercher GmbH & Co. KG, “Programme 2011 Kaercher Home and Garden”, cover, pp. 12-31 and last page (Nov. 2010).

Extract from catalog of Alfred Kaercher GmbH & Co. KG, “Programme 2012 Kaercher Home and Garden”, cover, pp. 14-15, 17, 20-41 and last page (Oct. 2011).

Extract from catalog of Alfred Kaercher GmbH & Co. KG, “Programme 2012 Kaercher Professional”, cover, pp. 12, 14, 16, 18, 20-25, 28, 30, 32, 34-36, 38, 40-42, 44 and last page (Nov. 2011).

* cited by examiner

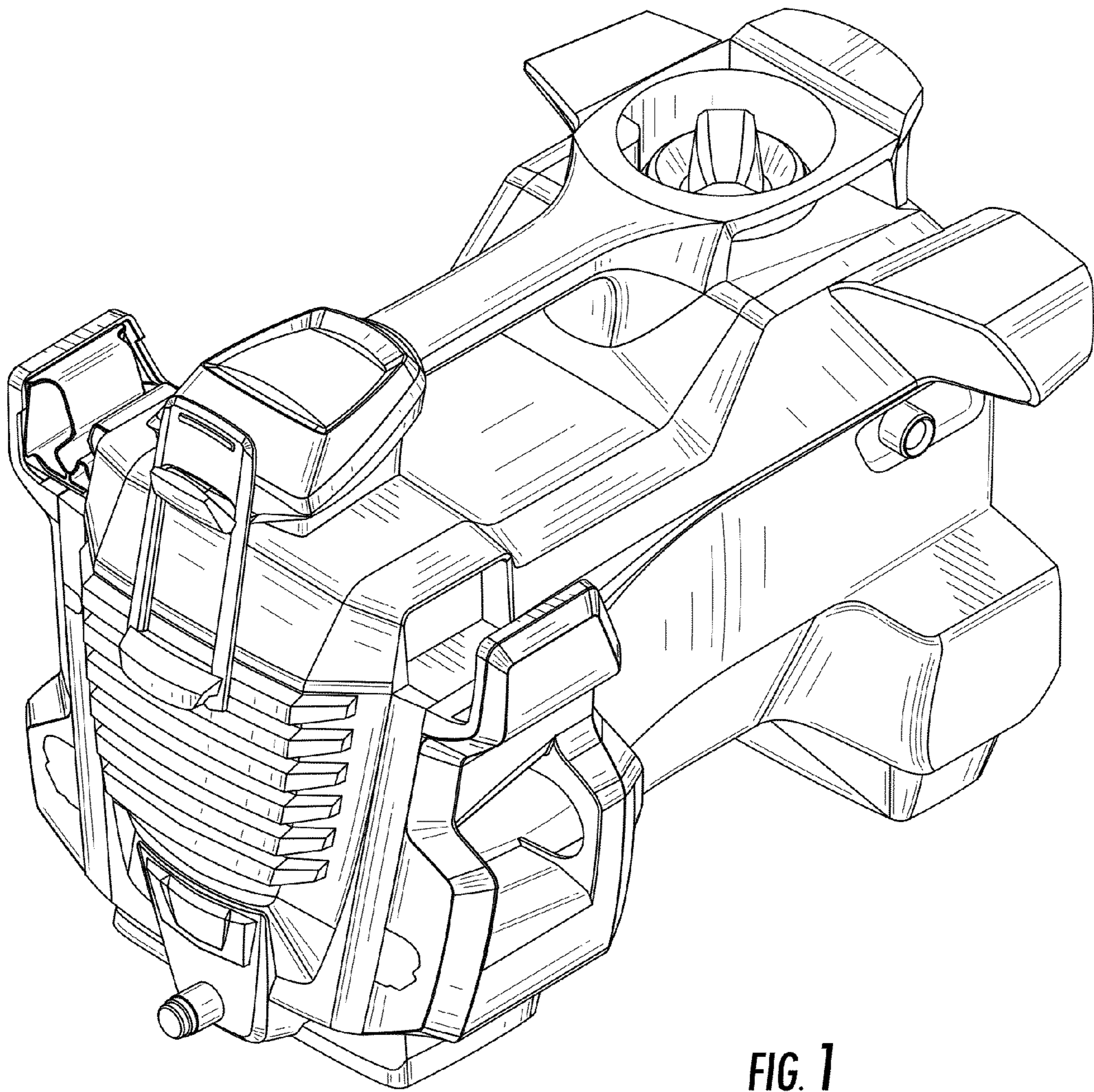


FIG. 1

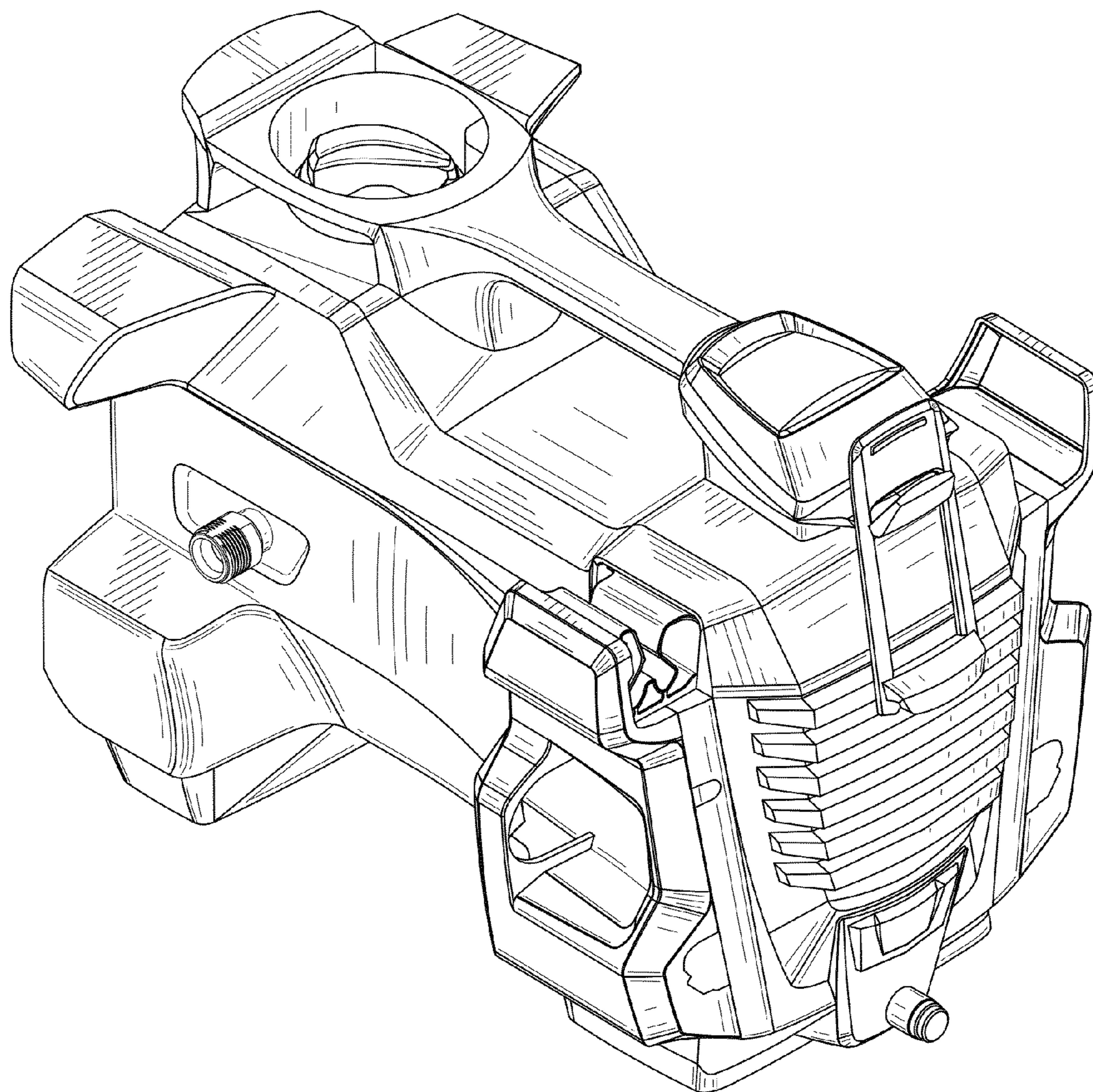


FIG. 2

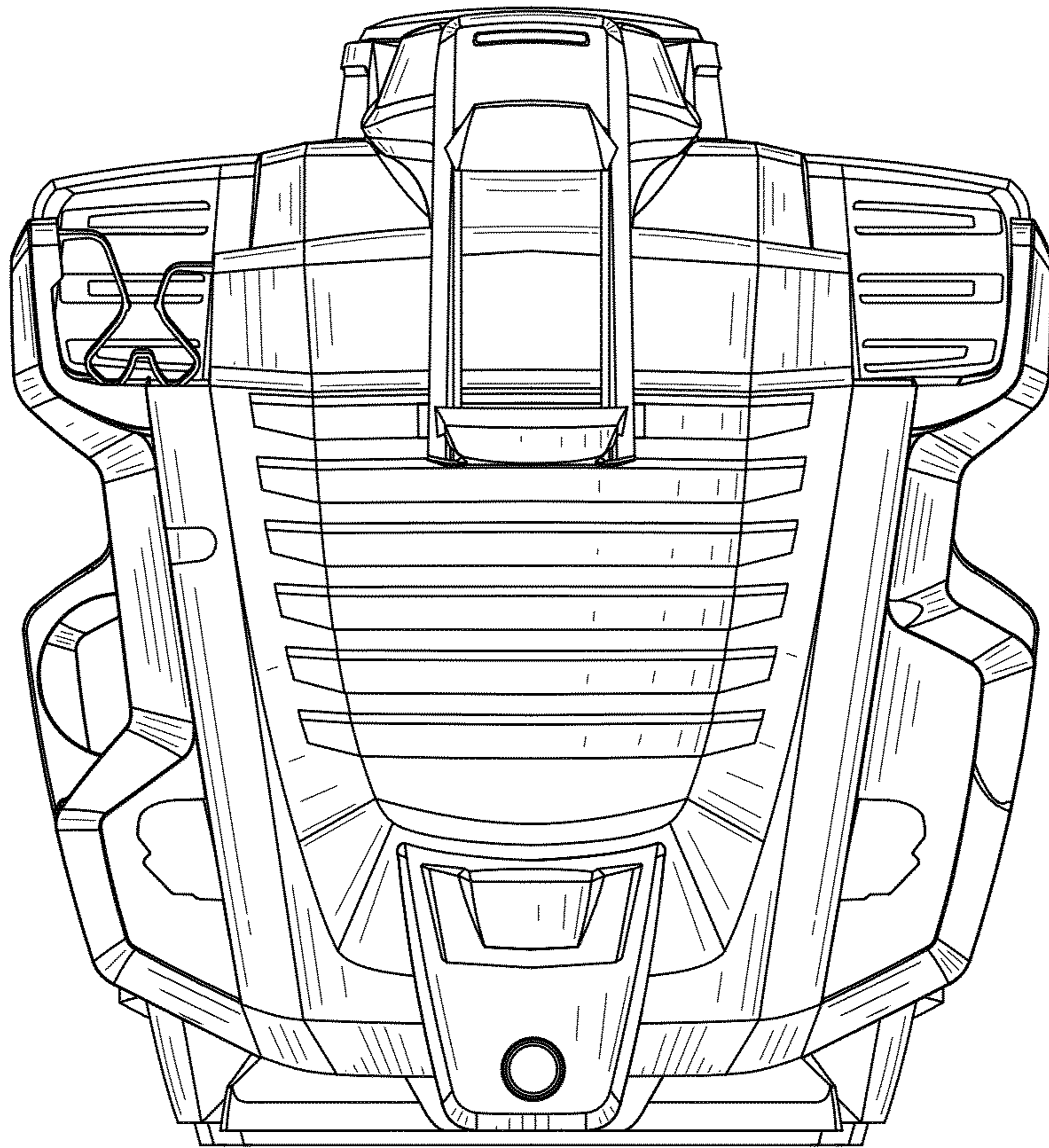


FIG. 3

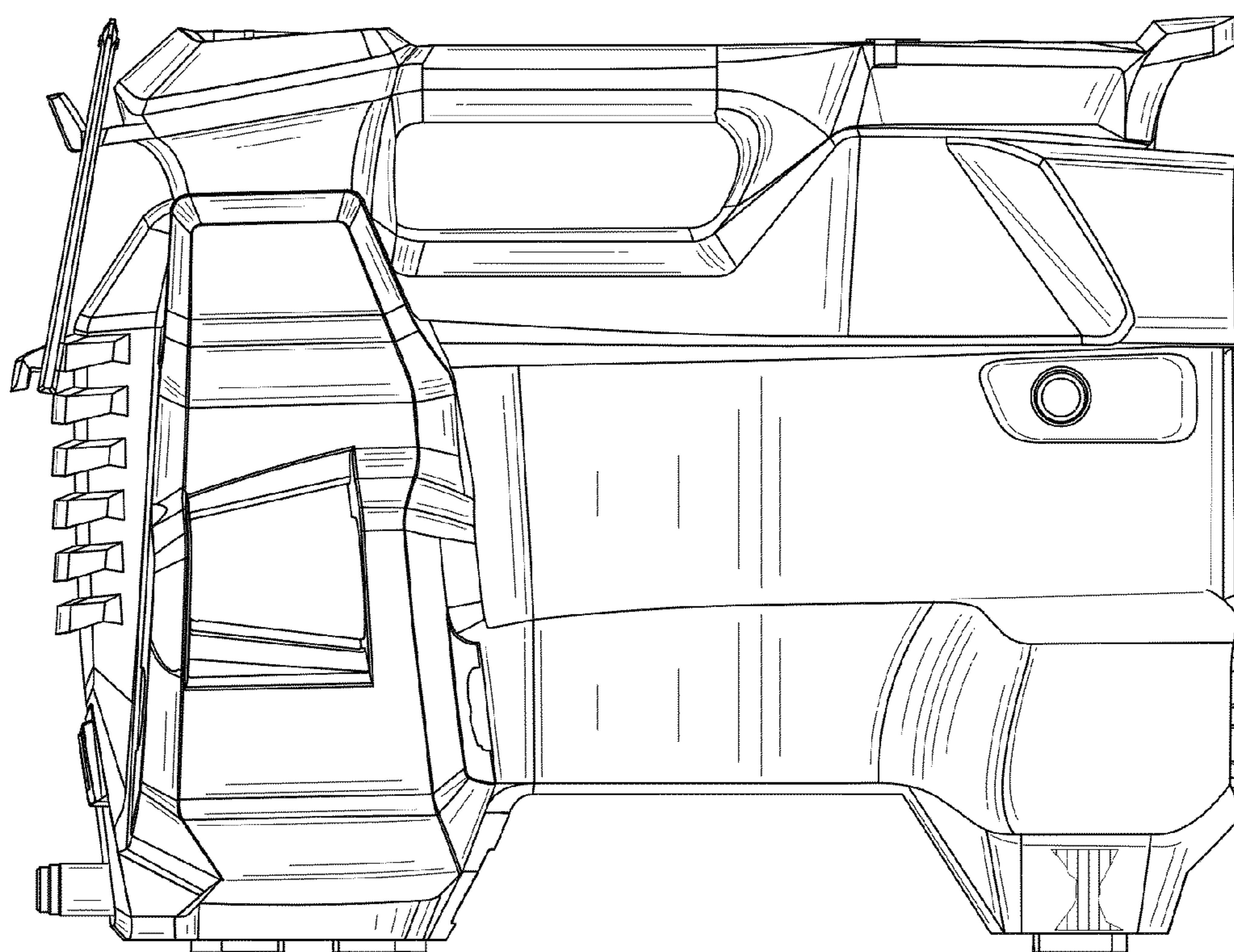


FIG. 4

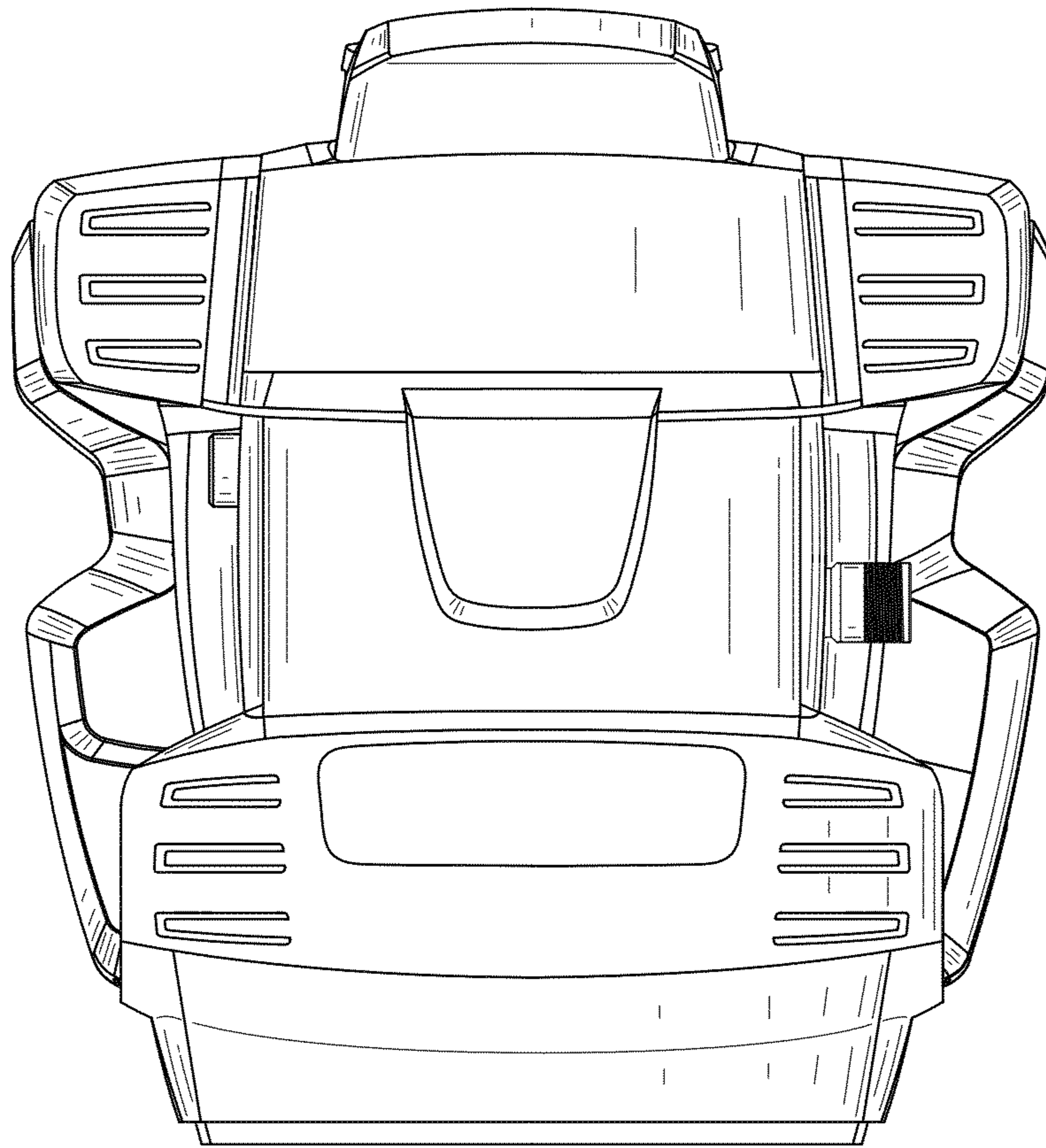


FIG. 5

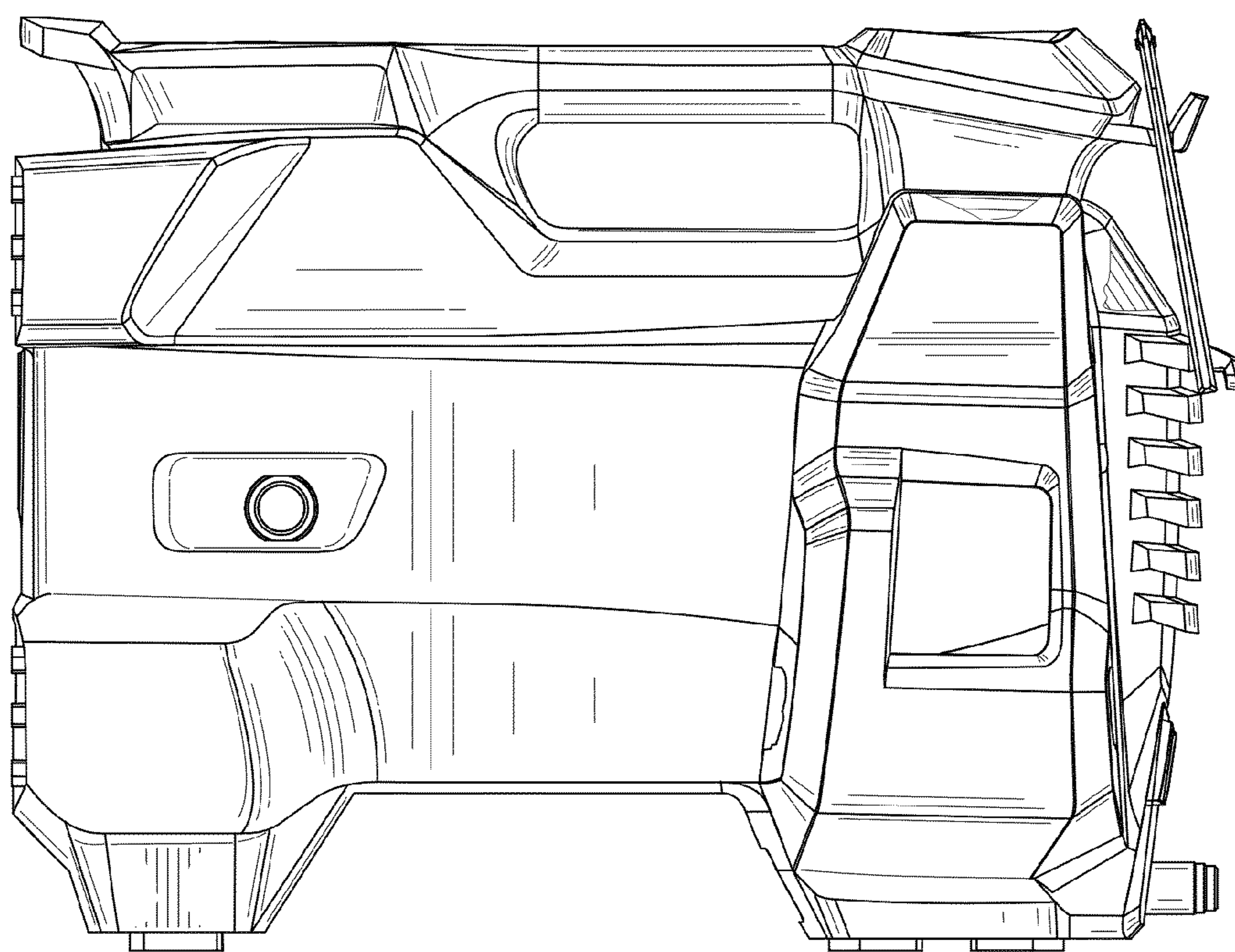


FIG. 6

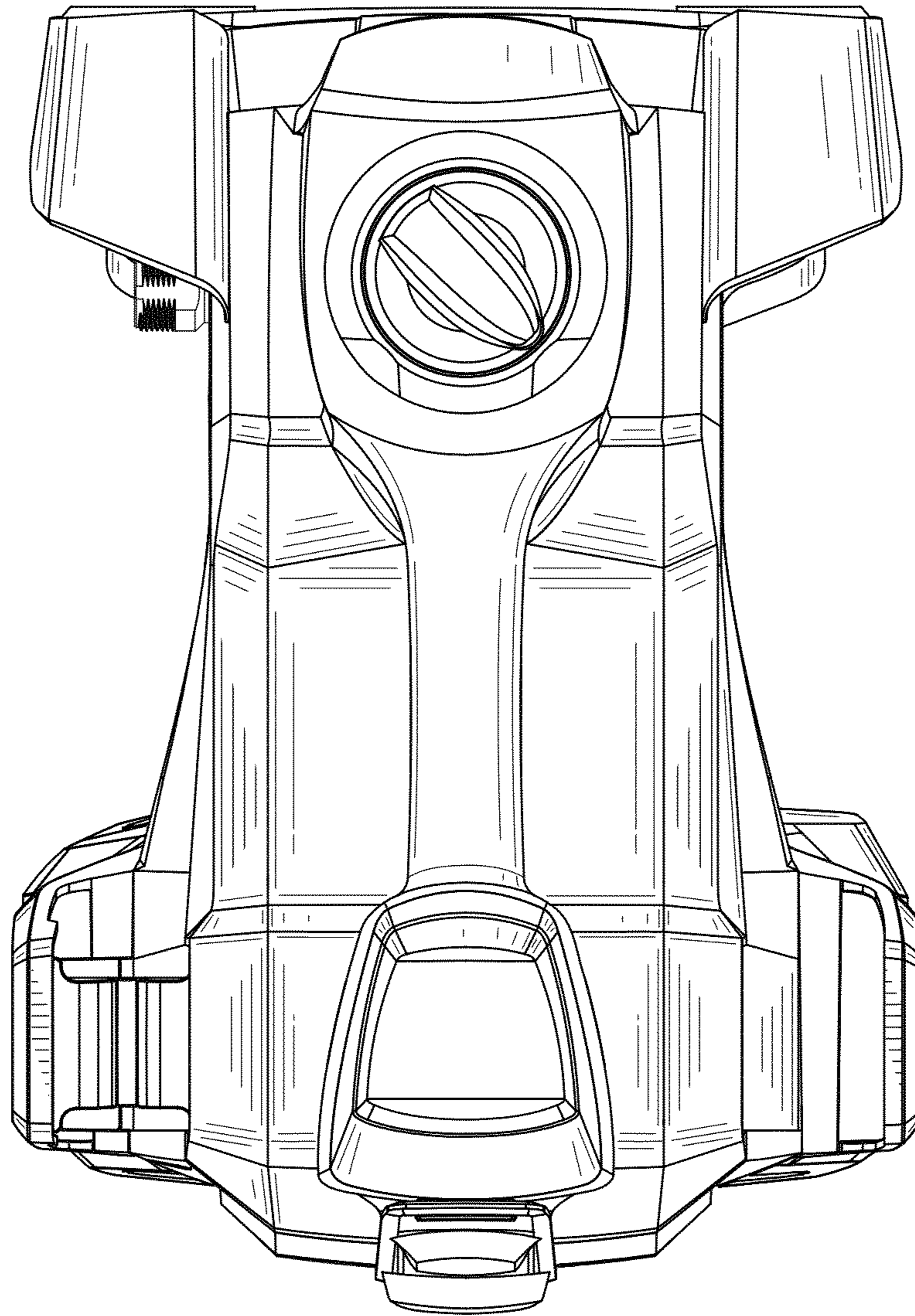


FIG. 7