



US00D729467S

(12) **United States Design Patent**
Jee et al.

(10) **Patent No.:** **US D729,467 S**
(45) **Date of Patent:** **** May 12, 2015**

(54) **CLOTHES DRYER**
(71) Applicant: **LG Electronics Inc.**, Seoul (KR)
(72) Inventors: **Eunyoung Jee**, Seoul (KR); **Kihyuk Kim**, Incheon (KR); **Hyejin Lee**, Seoul (KR)
(73) Assignee: **LG Electronics Inc.**, Seoul (KR)
(**) Term: **14 Years**
(21) Appl. No.: **29/456,033**
(22) Filed: **May 28, 2013**

D612,685 S * 3/2010 Baker et al. D7/405
D619,314 S * 7/2010 Bixby et al. D32/25
D620,212 S * 7/2010 Bixby et al. D32/25
D627,529 S * 11/2010 Jeon et al. D32/6
D633,262 S * 2/2011 Jeon et al. D32/6
D634,492 S * 3/2011 Chung et al. D32/6
D635,313 S * 3/2011 Jeon et al. D32/6
D642,753 S * 8/2011 Ha D32/6
D649,722 S * 11/2011 Chung et al. D32/6

FOREIGN PATENT DOCUMENTS

CN 301034039 * 10/2009
JP D1257592 * 12/2005
KR 300224959.0000 * 9/1997

OTHER PUBLICATIONS

Differential Design by Paul Sandip, Announced Jan. 18, 2011, [Site Visited Feb. 20, 2014]http://differentialdesign.blogspot.com/p/work.html.*
LG DLGX8001V, Announced Jul. 7, 2012, [Site Visited Feb. 20, 2015]http://www.canadianappliance.ca/product/LG_DLGX8001V_L_Dryers_LG_DLGX8001V.html].*
Creative Reuse Open House Featured Items, Announced Oct. 30, 2009, [Site Visited Feb. 20, 2015] http://www.constructionjunction.org/eblasts/view/82.*

* cited by examiner

Primary Examiner — John Windmuller
Assistant Examiner — Luqman McNeil
(74) *Attorney, Agent, or Firm* — Morgan, Lewis & Bockius LLP

(30) **Foreign Application Priority Data**
Nov. 28, 2012 (KR) 30-2012-0057109
(51) **LOC (10) Cl.** **15-05**
(52) **U.S. Cl.**
USPC **D32/6**
(58) **Field of Classification Search**
USPC D32/6, 25, 8, 1, 5; D7/340, 405; 66/3 R, 66/5 R, 12.01, 12.08; 34/523-524; 312/31; 38/1 A
See application file for complete search history.

(57) **CLAIM**
The ornamental design for a clothes dryer, as shown and described.

(56) **References Cited**
U.S. PATENT DOCUMENTS
D300,279 S * 3/1989 Umehara et al. D32/6
D422,387 S * 4/2000 Mutoh et al. D32/25
D495,918 S * 9/2004 De Mello D7/340
D495,919 S * 9/2004 De Mello D7/340
D537,991 S * 3/2007 Jun D32/6
D539,995 S * 4/2007 Im D32/6
D541,491 S * 4/2007 Jun D32/6
D546,121 S * 7/2007 Hessen et al. D7/405
D575,464 S * 8/2008 Rossetto et al. D32/8
D585,696 S * 2/2009 Monteiro
Sindeaux et al. D7/340
D597,712 S * 8/2009 Jeon et al. D32/6
D599,509 S * 9/2009 Jeon et al. D32/6
D612,680 S * 3/2010 Baker et al. D7/405
D612,683 S * 3/2010 Baker et al. D7/405
D612,684 S * 3/2010 Baker et al. D7/405

DESCRIPTION

FIG. 1 is a front, right side, perspective view of a clothes dryer showing our new design;
FIG. 2 is a front view thereof;
FIG. 3 is a rear view thereof;
FIG. 4 is a left side view thereof;
FIG. 5 is a right side view thereof;
FIG. 6 is a top view thereof; and,
FIG. 7 is a bottom view thereof.

1 Claim, 6 Drawing Sheets

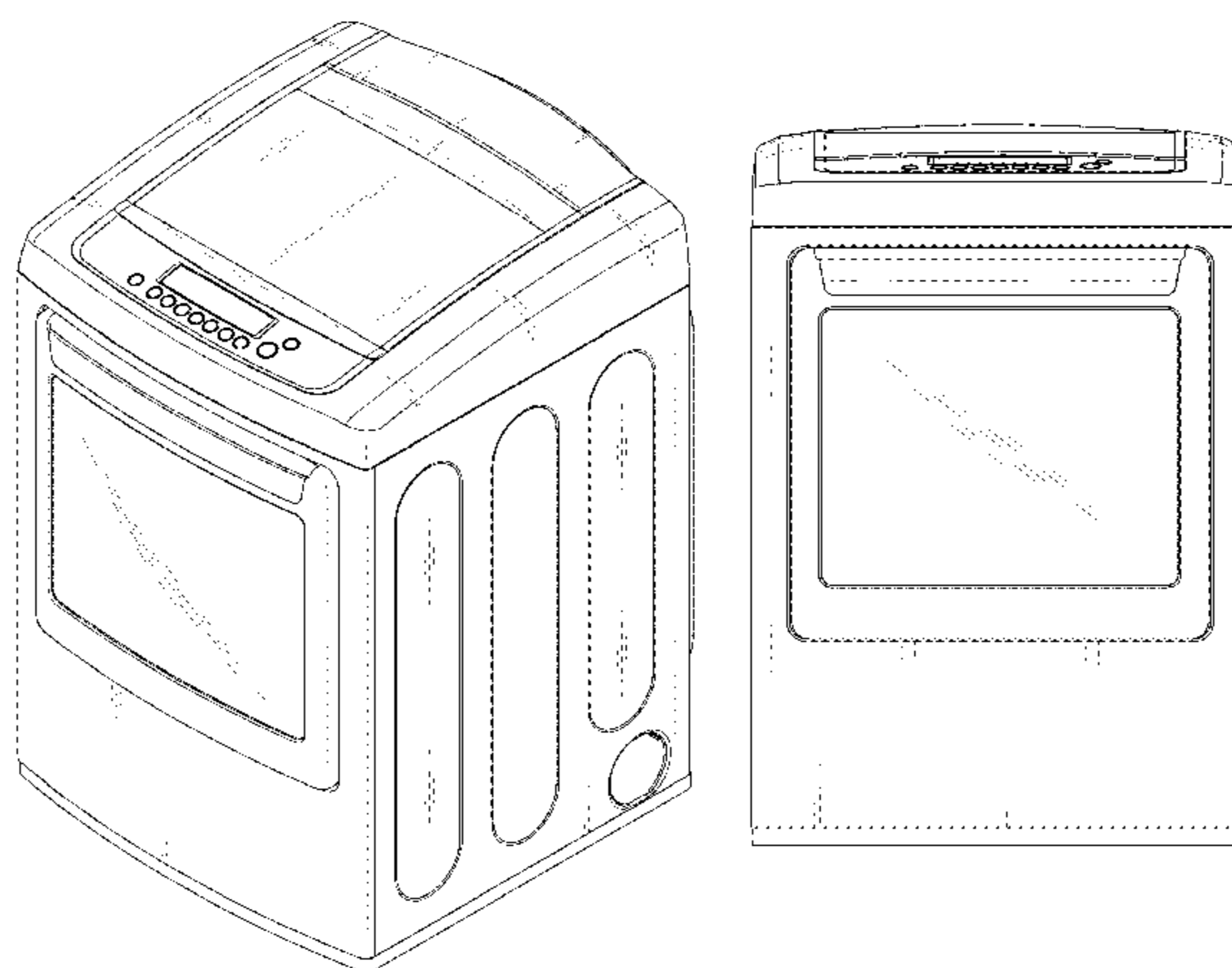


FIG. 1

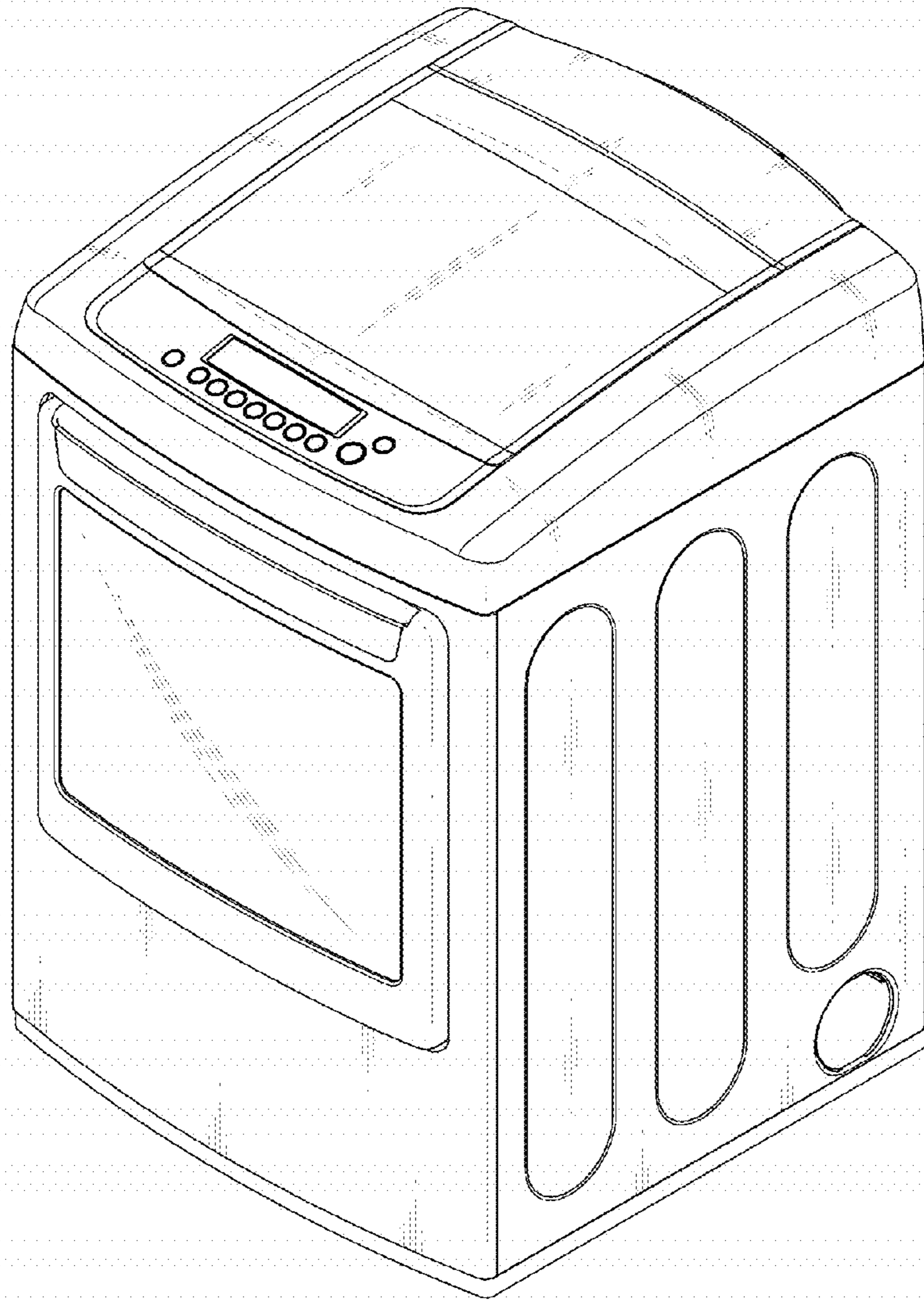


FIG. 2

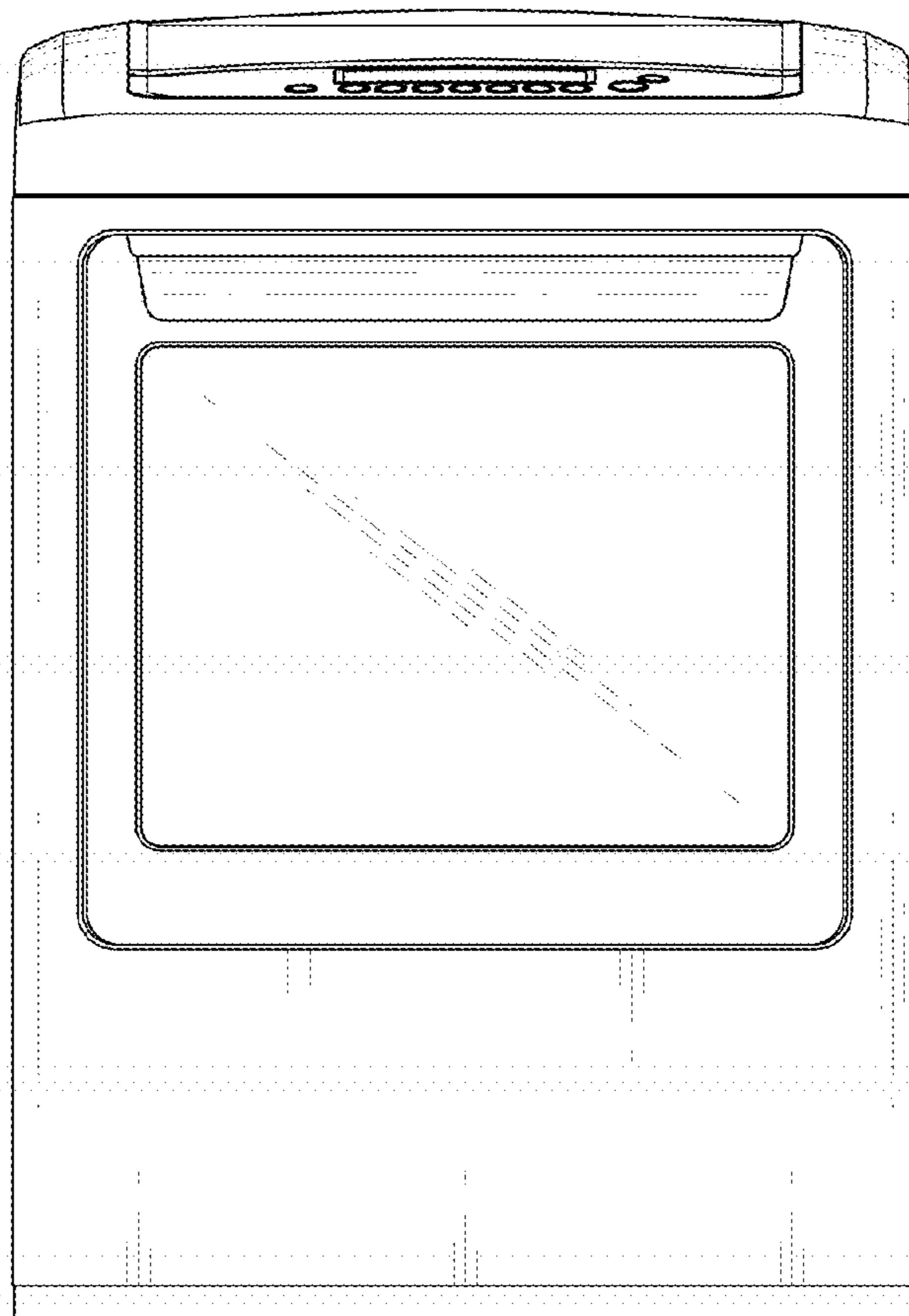


FIG. 3

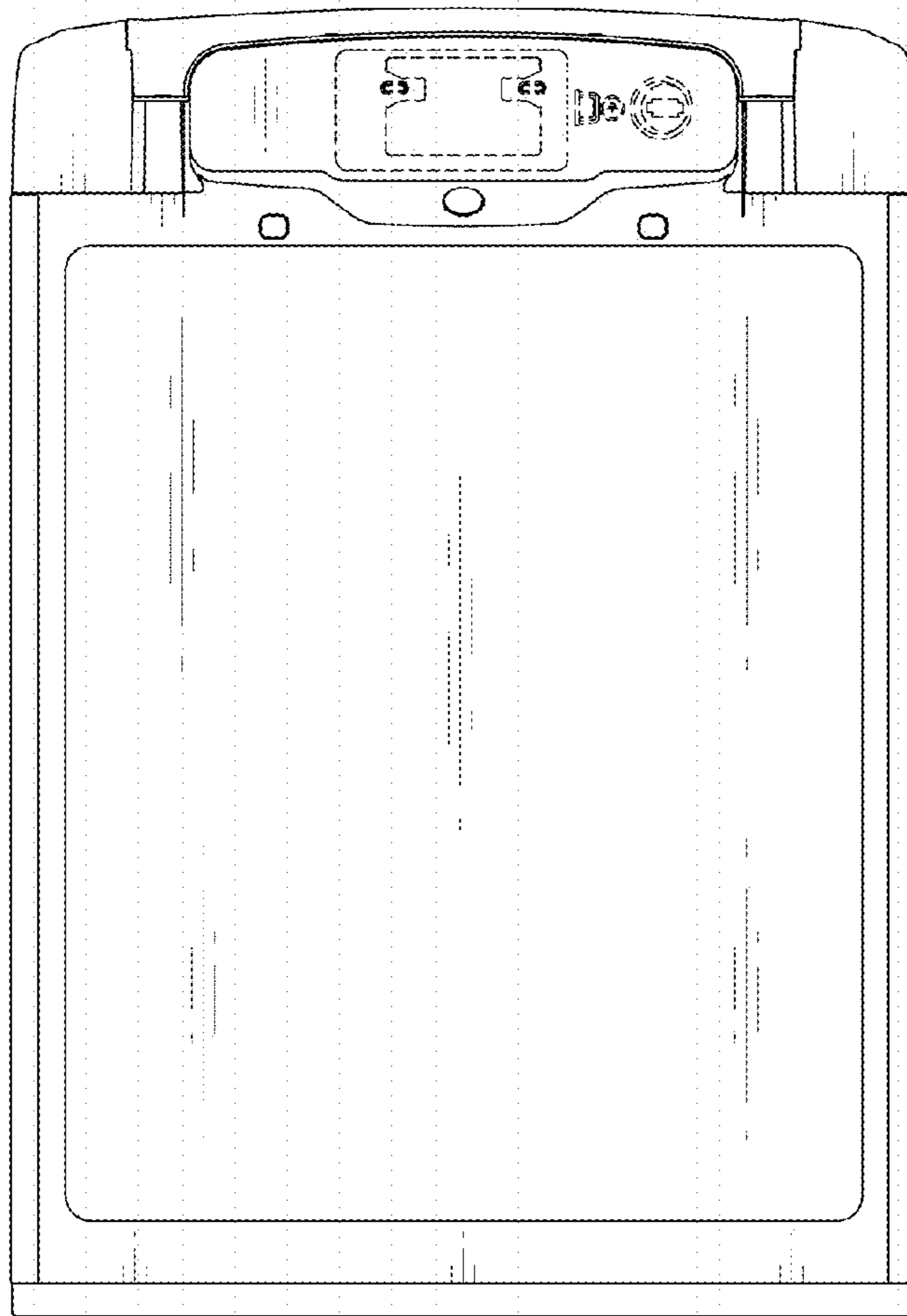


FIG. 4

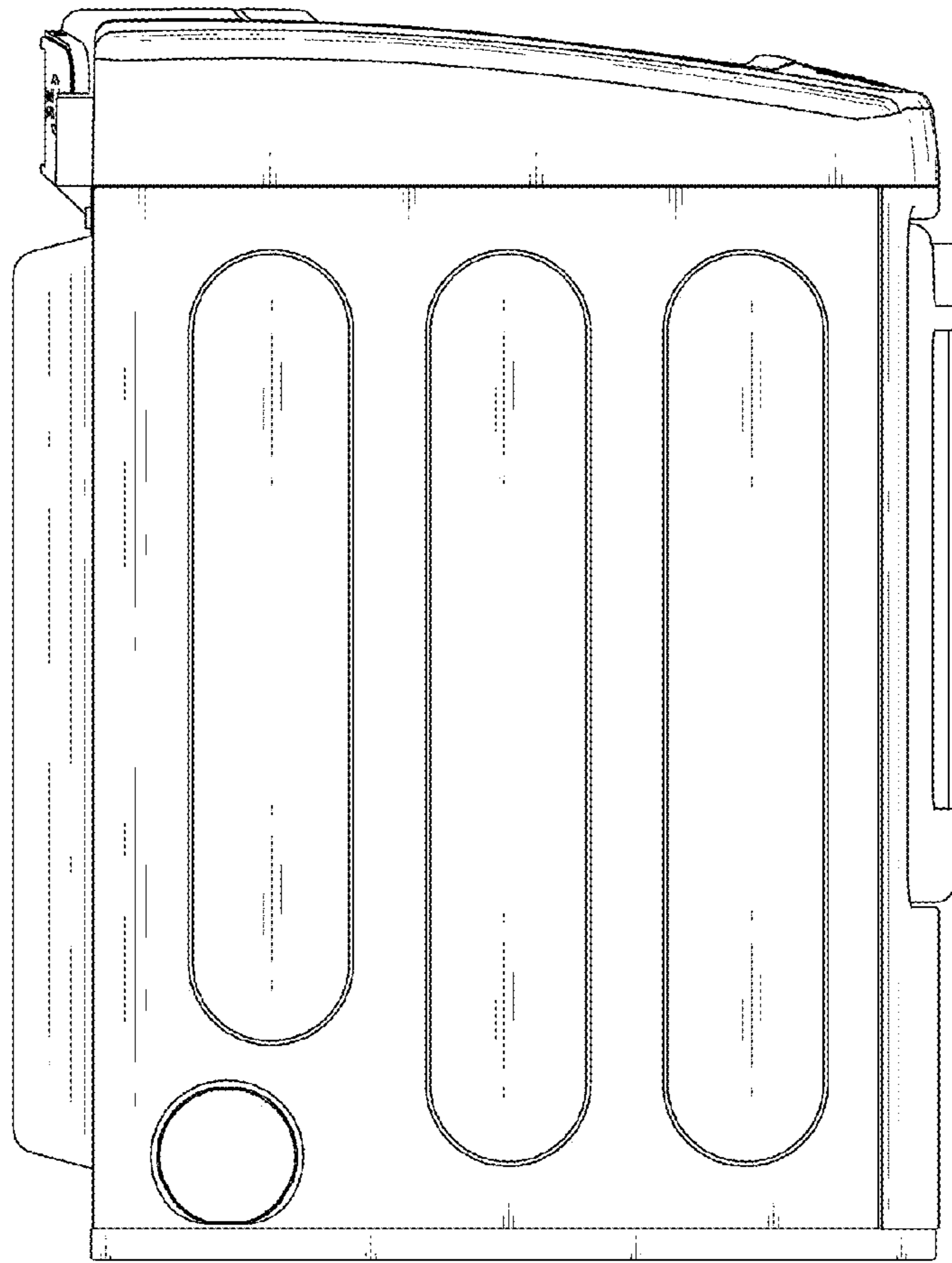


FIG. 5

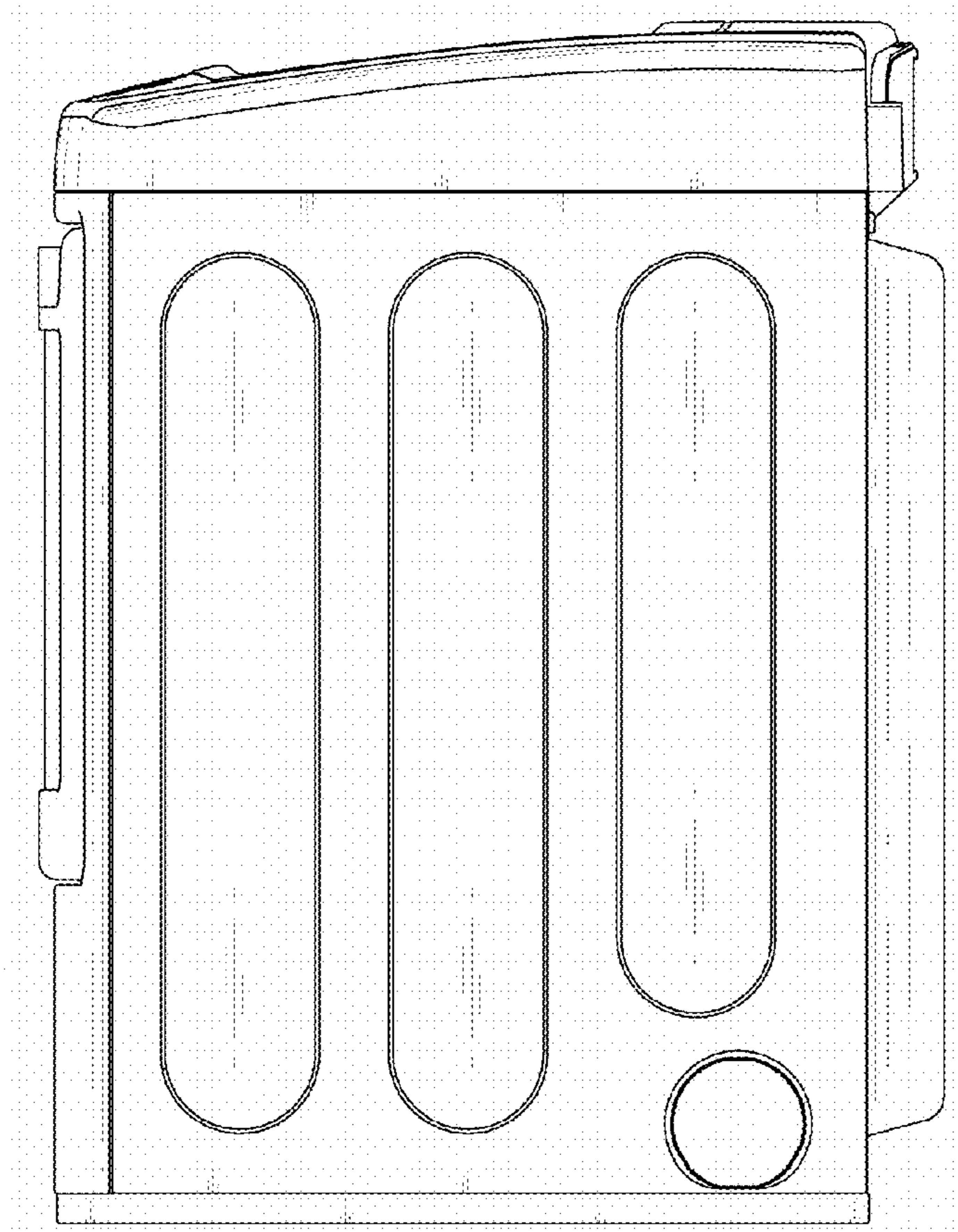


FIG. 6

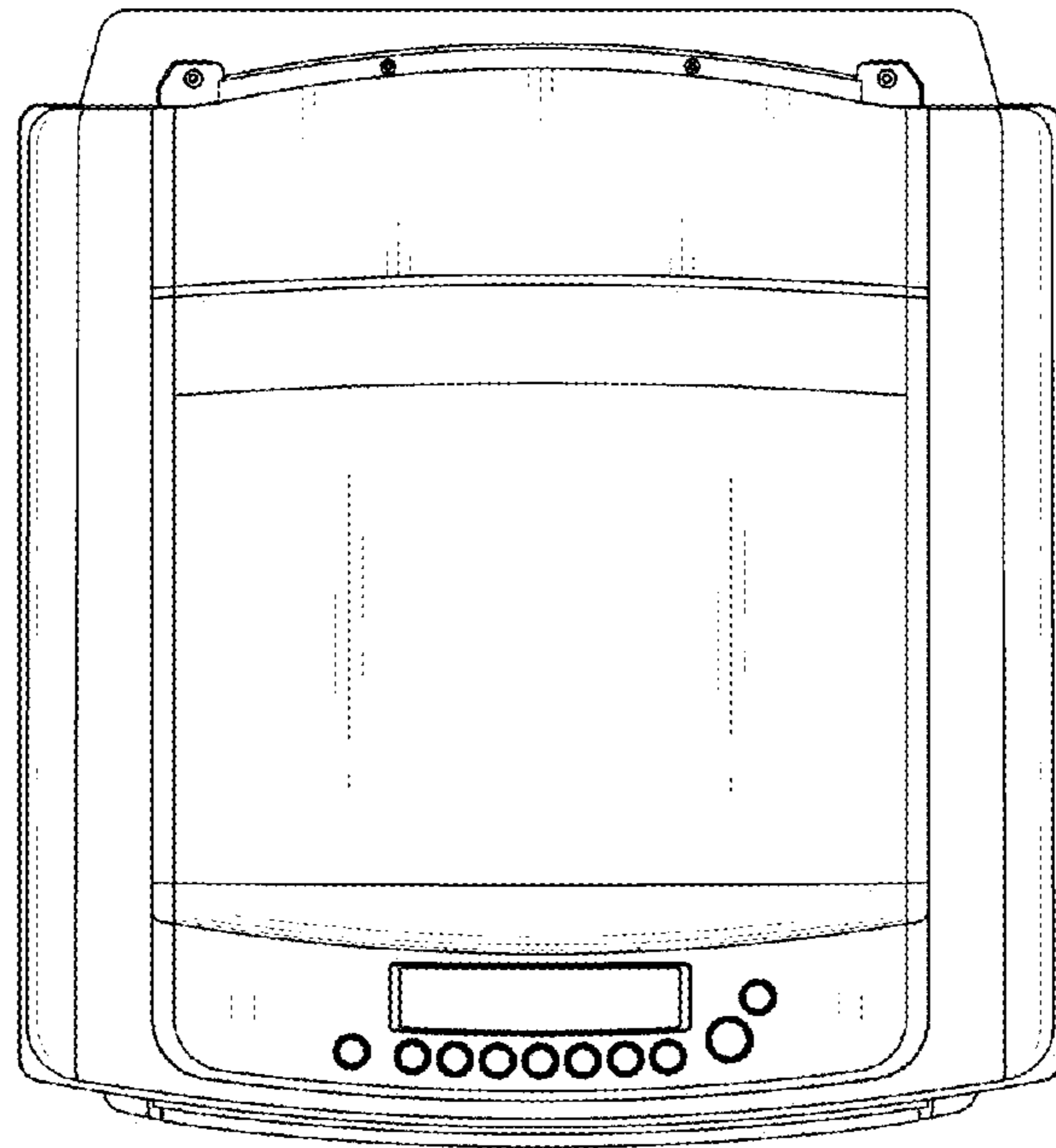


FIG. 7

