



US00D729463S

(12) **United States Design Patent**
Lee et al.

(10) **Patent No.:** **US D729,463 S**
(45) **Date of Patent:** **** May 12, 2015**

(54) **CASE FOR DISHWASHER**
(71) Applicant: **Samsung Electronics Co., Ltd.**,
Suwon-si, Gyeonggi-do (KR)
(72) Inventors: **Jae Moon Lee**, Seoul (KR); **Jae Jun Kim**, Seoul (KR); **Ji Young Shin**, Seoul (KR)
(73) Assignee: **Samsung Electronics Co., Ltd.** (KR)
(**) Term: **14 Years**

D331,477 S * 12/1992 Michael et al. D32/3
D391,696 S * 3/1998 Bournay et al. D32/3
D487,825 S * 3/2004 Kim et al. D32/3
D488,891 S * 4/2004 Smith et al. D32/3
D502,295 S * 2/2005 Feddema D32/3
D517,253 S * 3/2006 Raches et al. D32/3
D620,649 S * 7/2010 Eng et al. D32/3
7,861,883 B2 * 1/2011 Purushothaman 220/488
D636,952 S * 4/2011 Baldwin et al. D32/3
D681,288 S * 4/2013 Eng et al. D32/3
8,522,998 B2 * 9/2013 Crookshanks et al. 220/488
D701,358 S * 3/2014 Eng et al. D32/3
D703,882 S * 4/2014 Williams et al. D32/3
D713,608 S * 9/2014 Jonsson et al. D32/3

(21) Appl. No.: **29/487,894**
(22) Filed: **Apr. 14, 2014**
(30) **Foreign Application Priority Data**
Nov. 1, 2013 (KR) 30-2013-0055151
(51) **LOC (10) Cl.** **15-05**
(52) **U.S. Cl.**
USPC **D32/3**
(58) **Field of Classification Search**
USPC D32/1, 2, 3, 25, 55; D3/309-314;
134/56 D, 57 D, 58 D, 201;
220/487-488, 507, 518, 555;
206/507-509; 211/41.8-41.9
See application file for complete search history.

* cited by examiner

Primary Examiner — T. Chase Nelson
Assistant Examiner — Michelle E Wilson
(74) *Attorney, Agent, or Firm* — Cantor Colburn LLP

(56) **References Cited**
U.S. PATENT DOCUMENTS
D187,666 S * 4/1960 Zabriskie D32/3
D202,569 S * 10/1965 Maslow D32/3
D204,076 S * 3/1966 Maslow D32/3
D254,187 S * 2/1980 Freese D32/3
4,830,200 A * 5/1989 Zambano et al. 211/133.5

(57) **CLAIM**
We claim, the ornamental design for a case for dishwasher, as shown and described.

DESCRIPTION
FIG. 1 is the front perspective view of a case for dishwasher showing our new design;
FIG. 2 is a front view thereof;
FIG. 3 is a rear view thereof;
FIG. 4 is a side view thereof;
FIG. 5 is another side view thereof;
FIG. 6 is an upper plan view thereof;
FIG. 7 is a lower plan view thereof;
FIG. 8 is a cross sectional view taken through line 8-8 of FIG. 2; and,
FIG. 9 is a lower perspective view thereof.

1 Claim, 9 Drawing Sheets

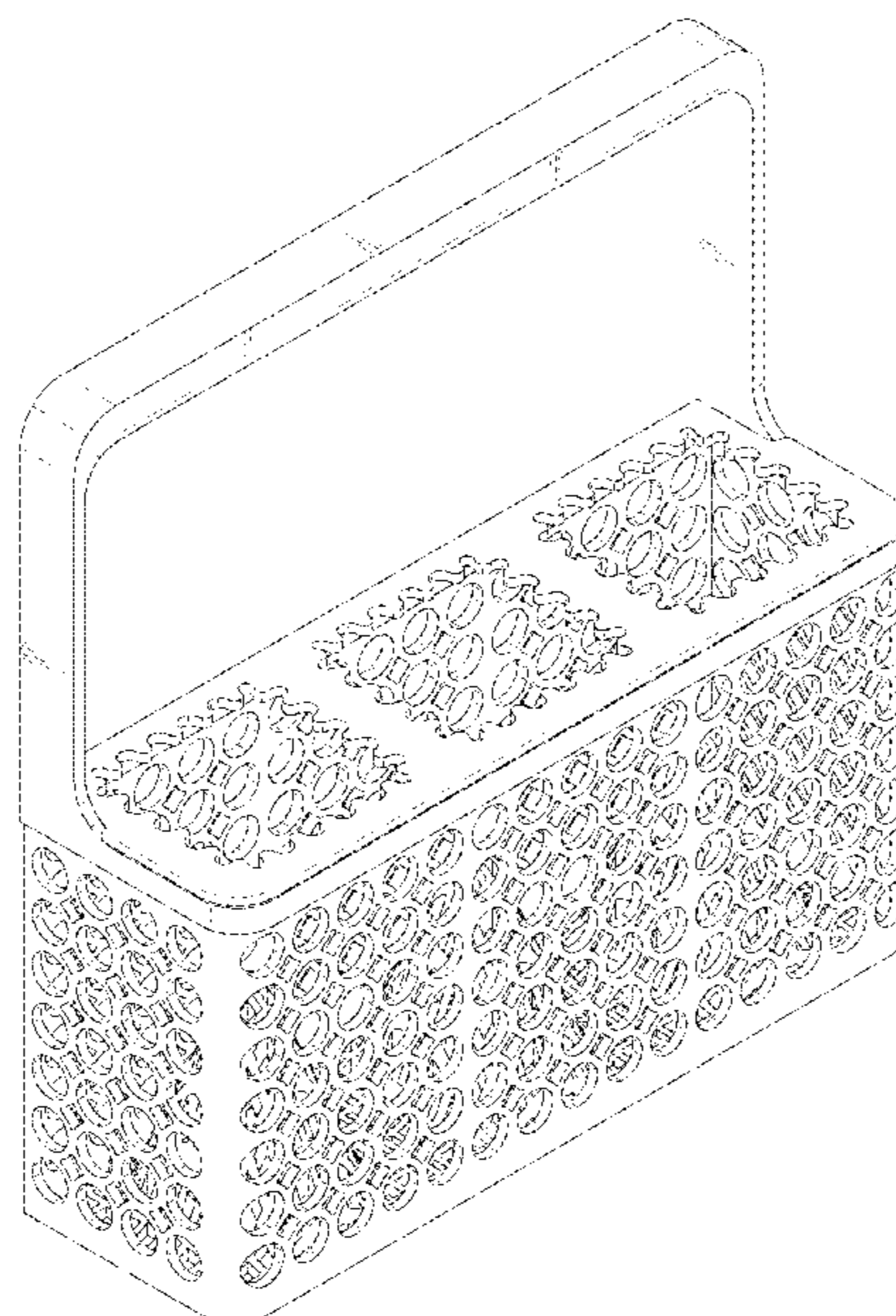


Fig. 1

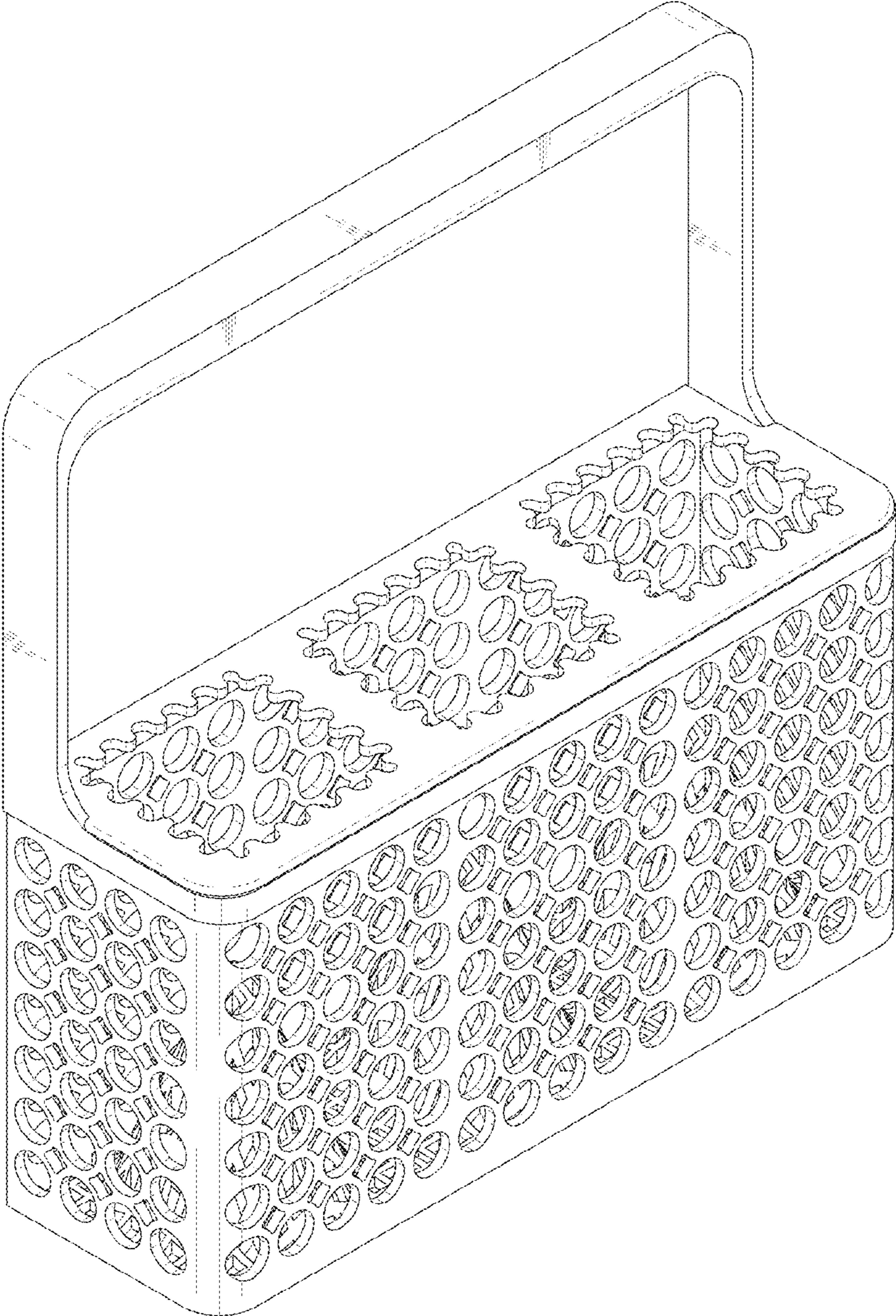


Fig. 2

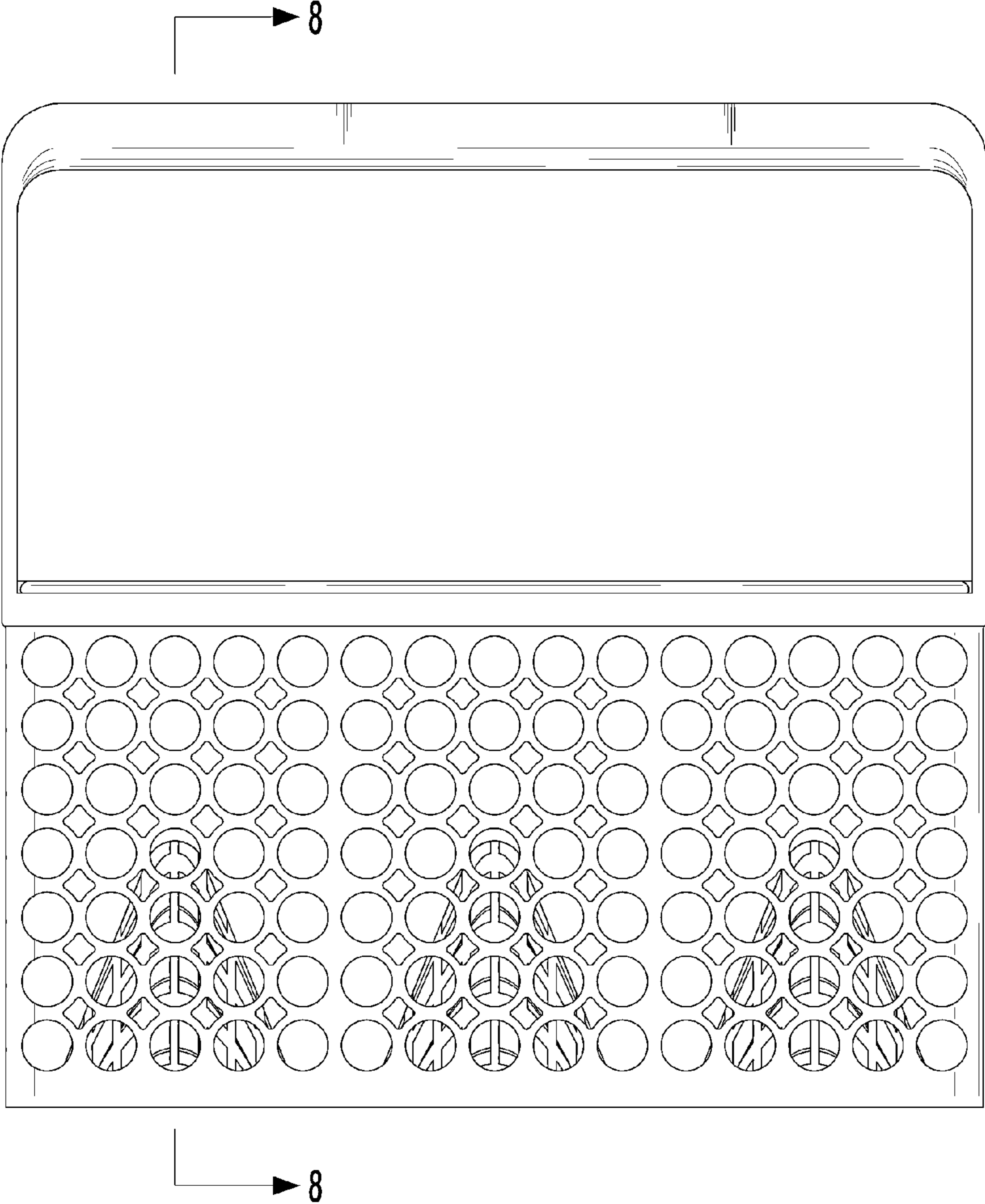


Fig. 3

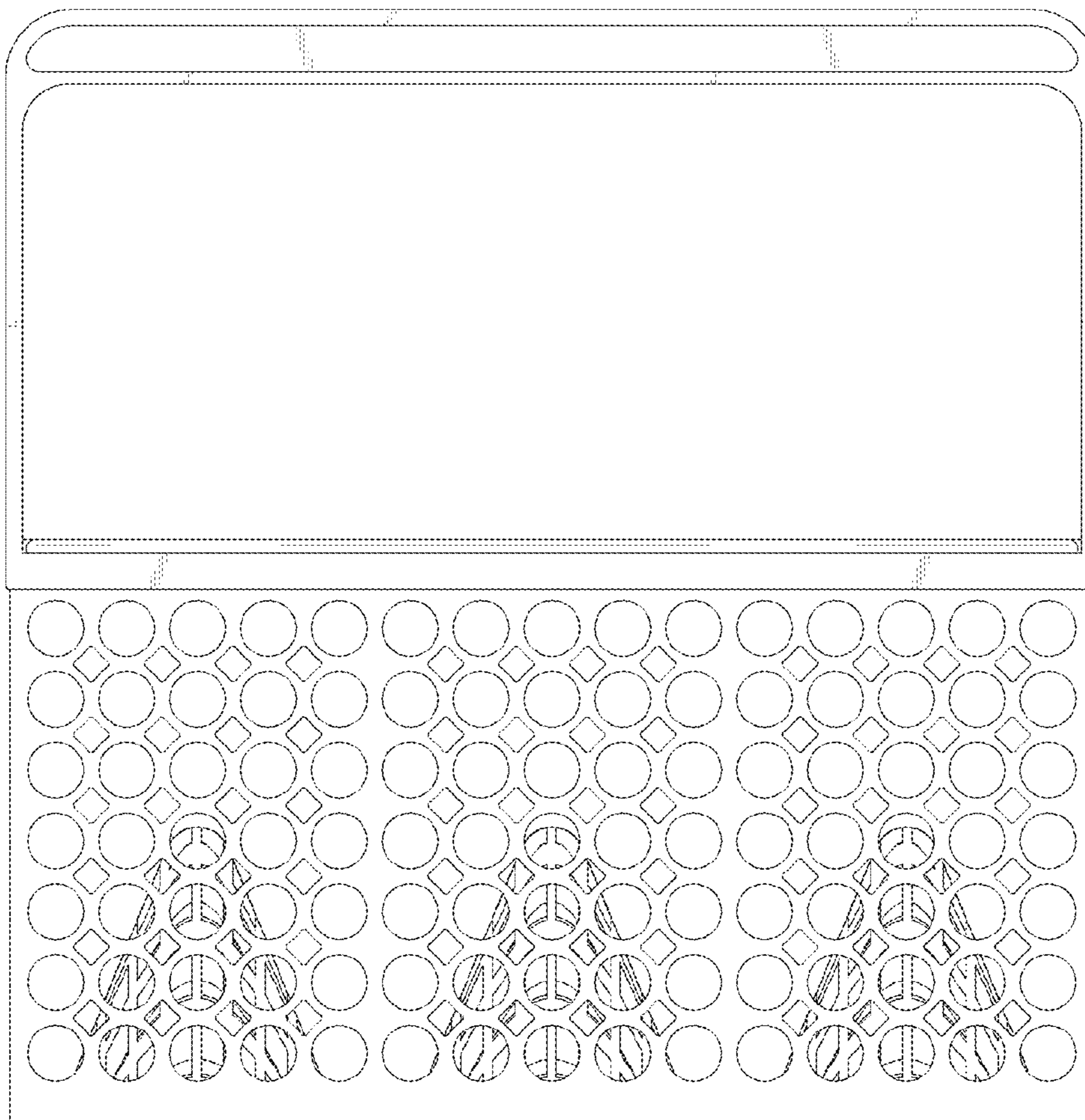


Fig. 4

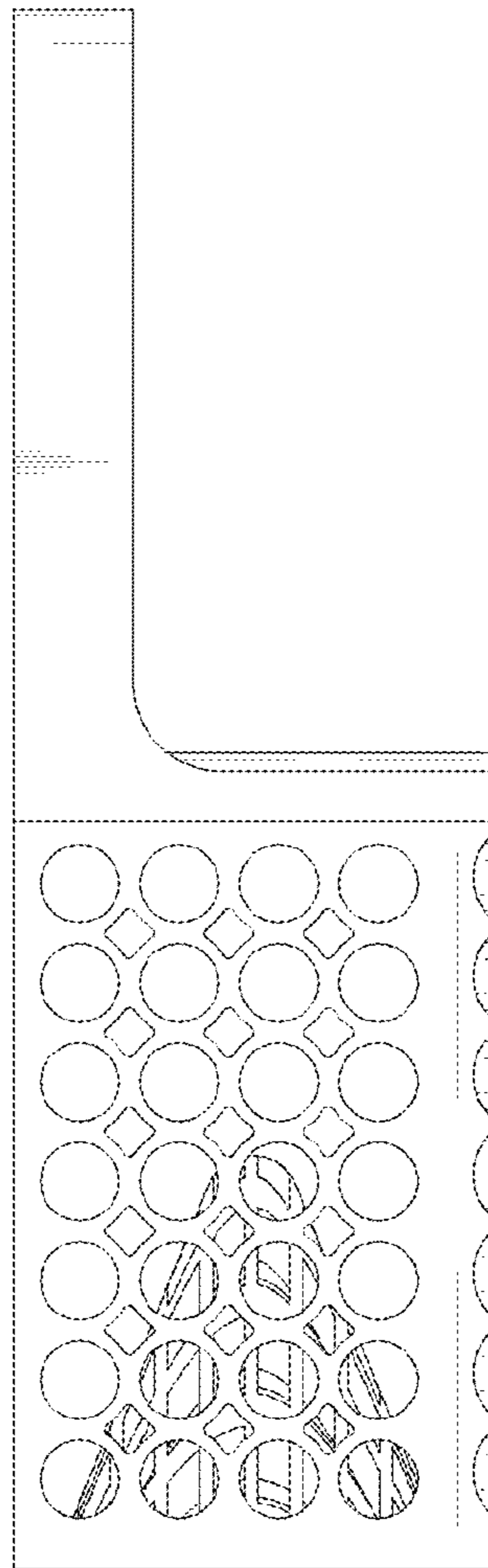


Fig. 5

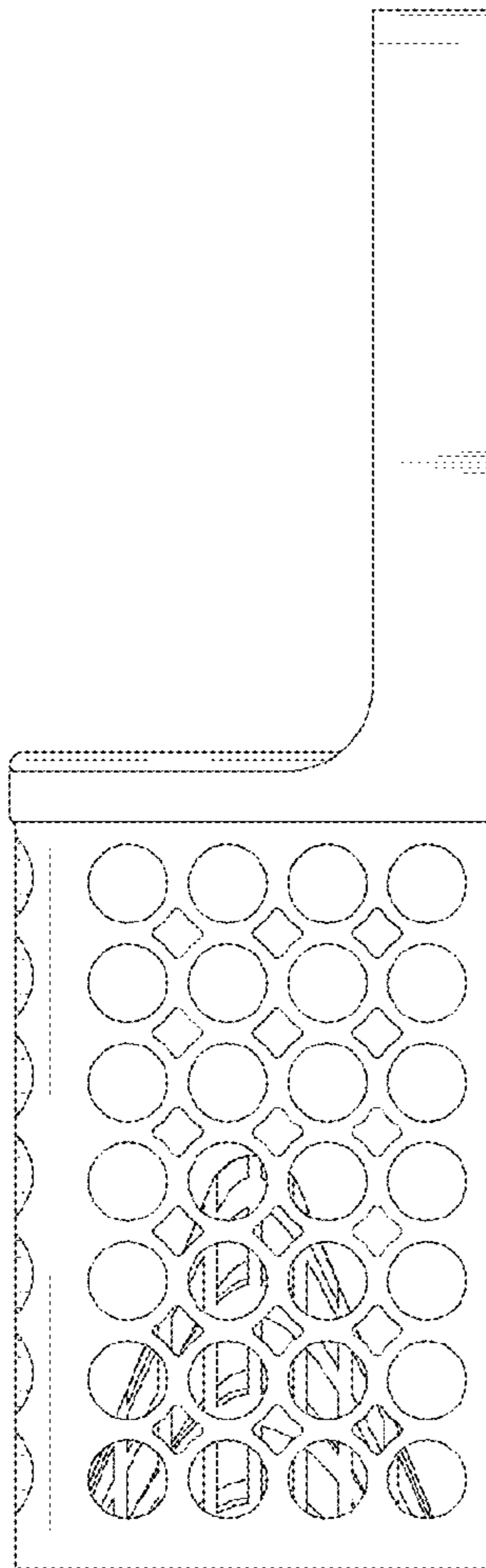


Fig. 6

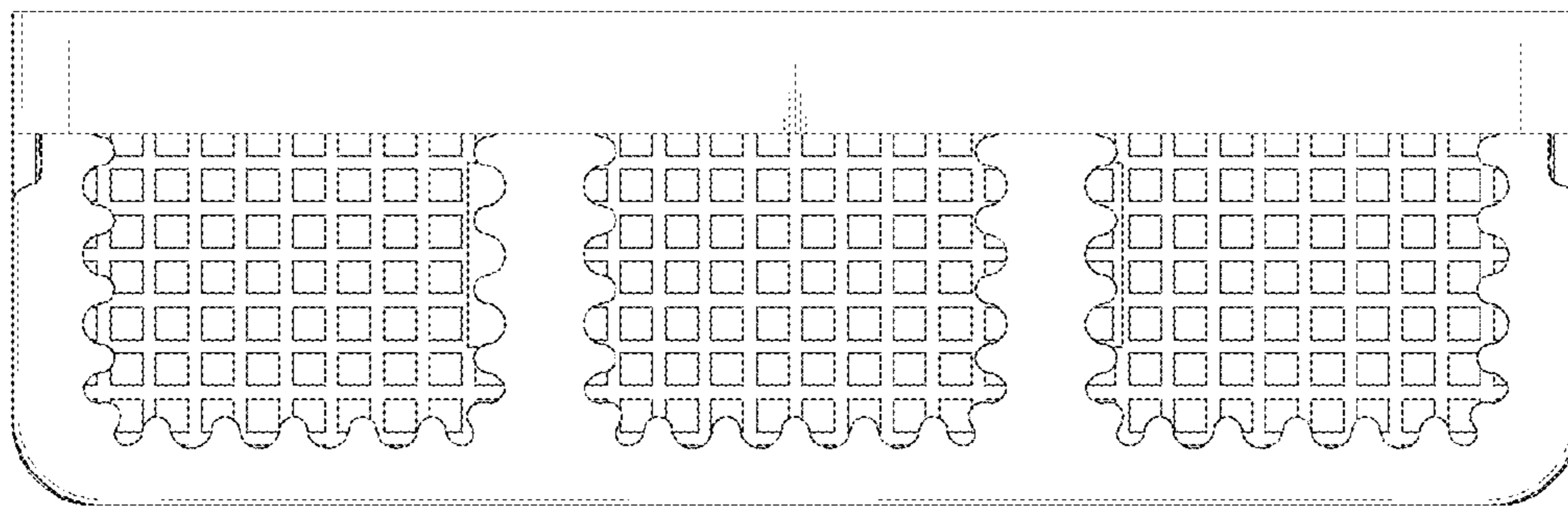


Fig. 7

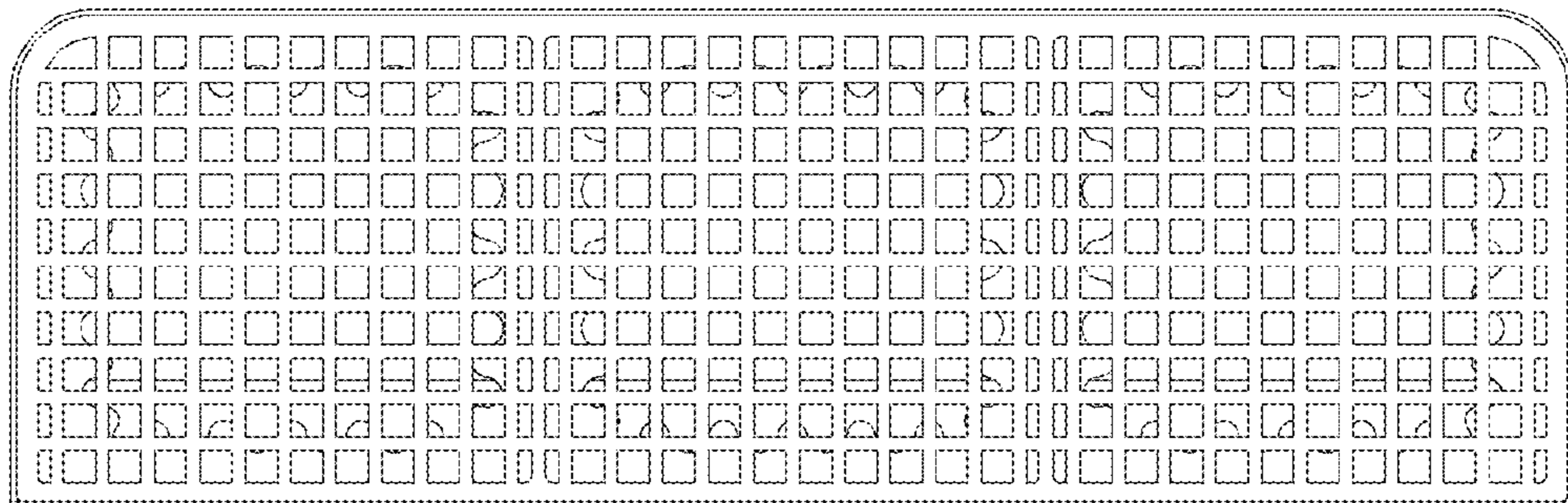


Fig. 8

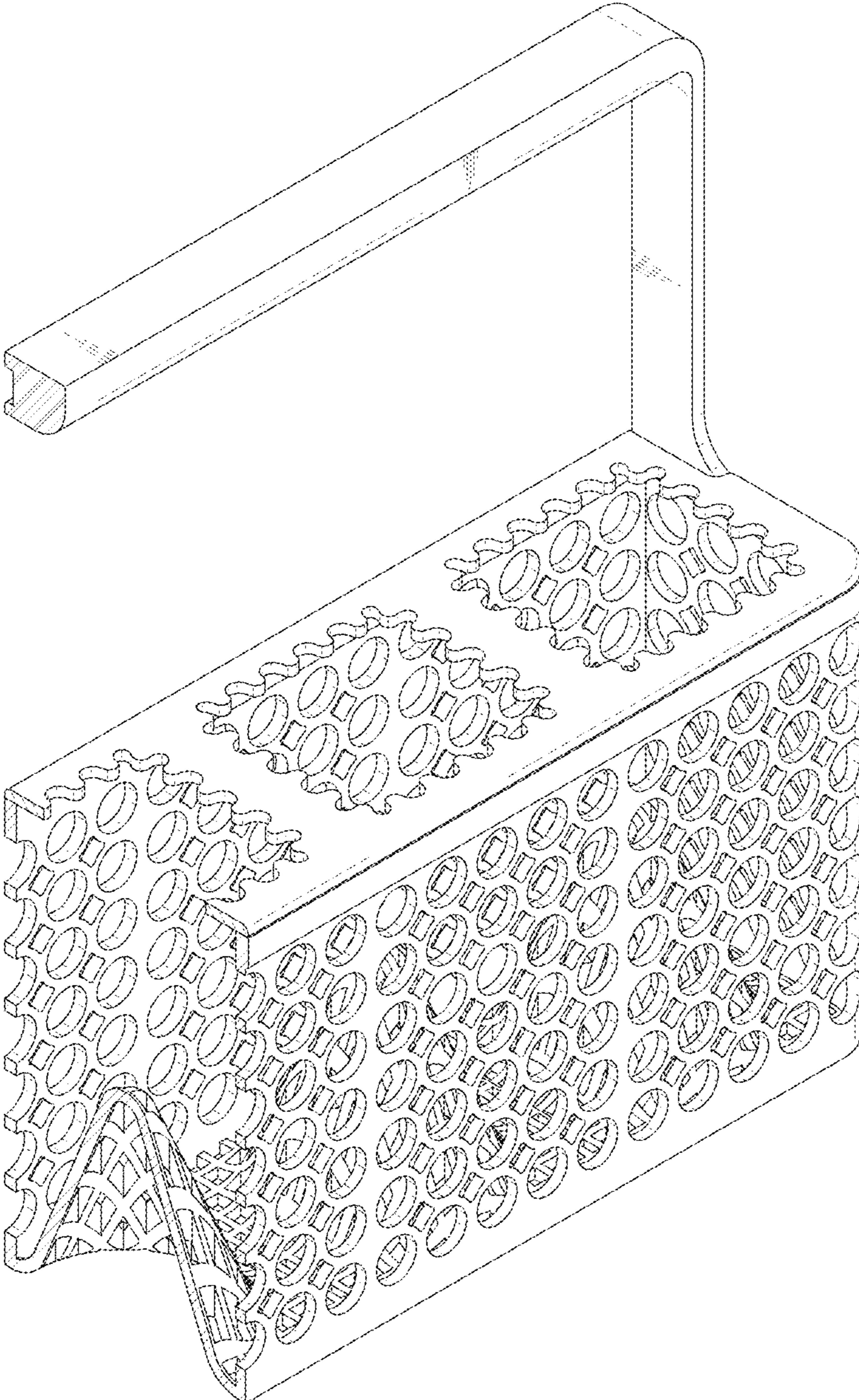


Fig. 9

