



US00D729462S

(12) **United States Design Patent**  
**Jakubowski et al.**

(10) **Patent No.:** **US D729,462 S**

(45) **Date of Patent:** **\*\* May 12, 2015**

(54) **PET RAMP WITH REFLECTIVE MARKINGS**

(71) Applicant: **Vermont Juvenile Furniture Mfg., Inc.**,  
West Rutland, PA (US)

(72) Inventors: **Chris Jakubowski**, Rutland, VT (US);  
**Todd Jakubowski**, Rutland, VT (US)

(73) Assignee: **Vermont Juvenile Furniture Mfg., Inc.**,  
West Rutland, VT (US)

(\*\*) Term: **14 Years**

(21) Appl. No.: **29/486,522**

(22) Filed: **Mar. 31, 2014**

(51) **LOC (10) Cl.** ..... **30-99**

(52) **U.S. Cl.**  
USPC ..... **D30/199**

(58) **Field of Classification Search**  
CPC ..... A01K 1/02; A01K 1/035; A01K 1/0272;  
A01K 29/00; E04F 11/00; E04F 11/002;  
E04F 2011/005; E04F 2011/007; E04G 27/00;  
B65G 69/28; B65G 69/30  
USPC ..... D30/119, 199; D34/32; D29/101.1;  
119/847, 849, 792; 14/69.5; 296/61;  
362/554

See application file for complete search history.

(56) **References Cited**

**U.S. PATENT DOCUMENTS**

963,918 A \* 7/1910 Miller ..... 14/69.5  
D300,073 S \* 2/1989 Crump ..... D34/32  
5,237,448 A \* 8/1993 Spencer et al. .... 119/792

D382,676 S \* 8/1997 Holbrook ..... D30/119  
D412,224 S \* 7/1999 Adler ..... D30/119  
D420,175 S \* 2/2000 Garrels, Jr. .... D30/119  
6,267,082 B1 \* 7/2001 Naragon et al. .... 119/849  
6,378,927 B1 \* 4/2002 Parry-Jones et al. .... 296/61  
6,536,064 B1 \* 3/2003 Swink et al. .... 14/69.5  
6,715,177 B1 \* 4/2004 Lagergren-Julander ..... 14/69.5  
6,820,280 B1 \* 11/2004 Atallah et al. .... 2/102  
7,237,294 B2 \* 7/2007 Lensing ..... 14/69.5  
D599,062 S \* 8/2009 Jakubowski et al. .... D30/199  
8,117,994 B1 \* 2/2012 Goodlow ..... 119/849  
2005/0057942 A1 \* 3/2005 Mako et al. .... 362/554  
2008/0105215 A1 \* 5/2008 Simpson et al. .... 119/849  
2008/0302312 A1 \* 12/2008 Steffey et al. .... 119/849  
2009/0300859 A1 \* 12/2009 Lucht ..... 14/69.5

\* cited by examiner

*Primary Examiner* — Martie K Holtje

(74) *Attorney, Agent, or Firm* — Volpe and Koenig, P.C.

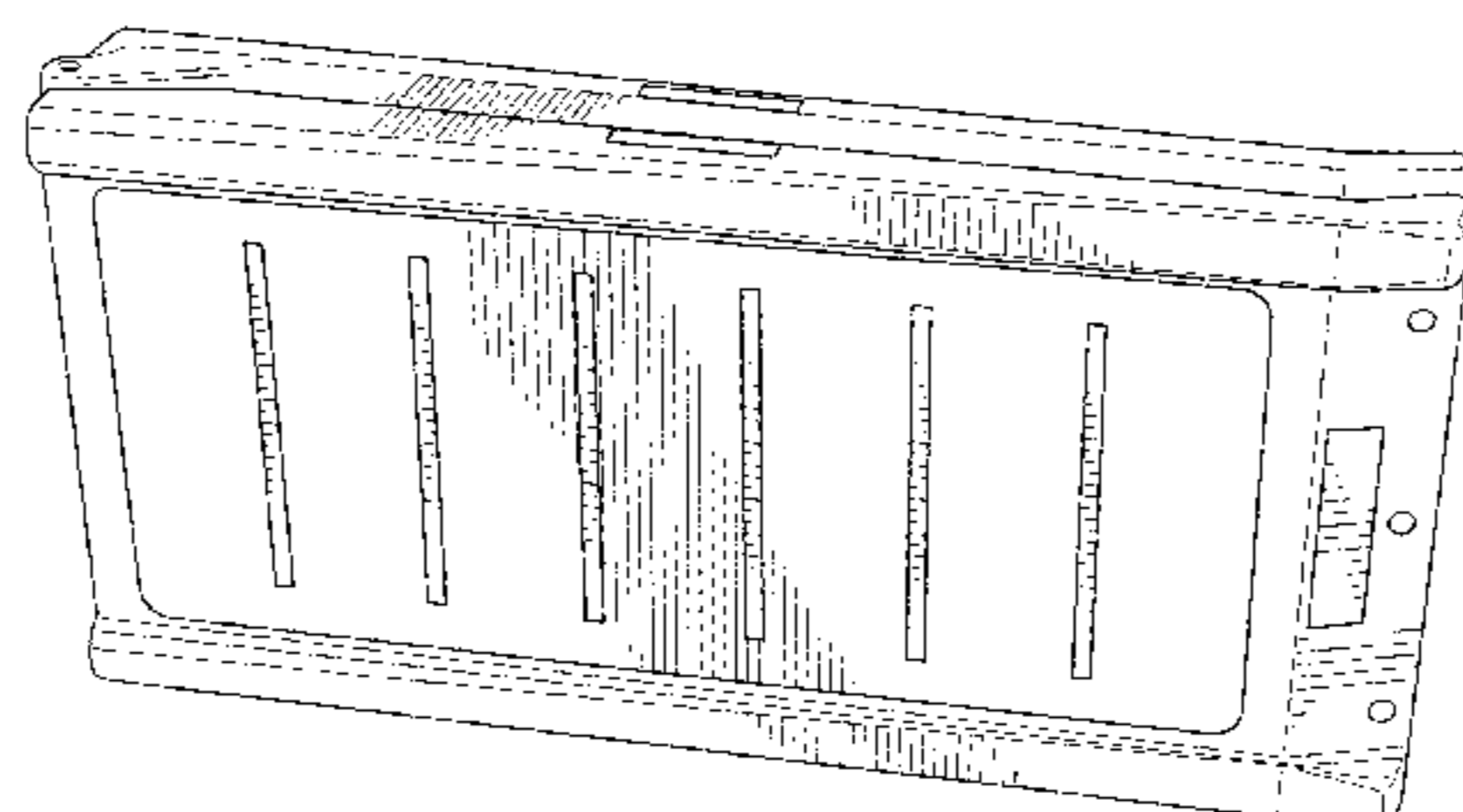
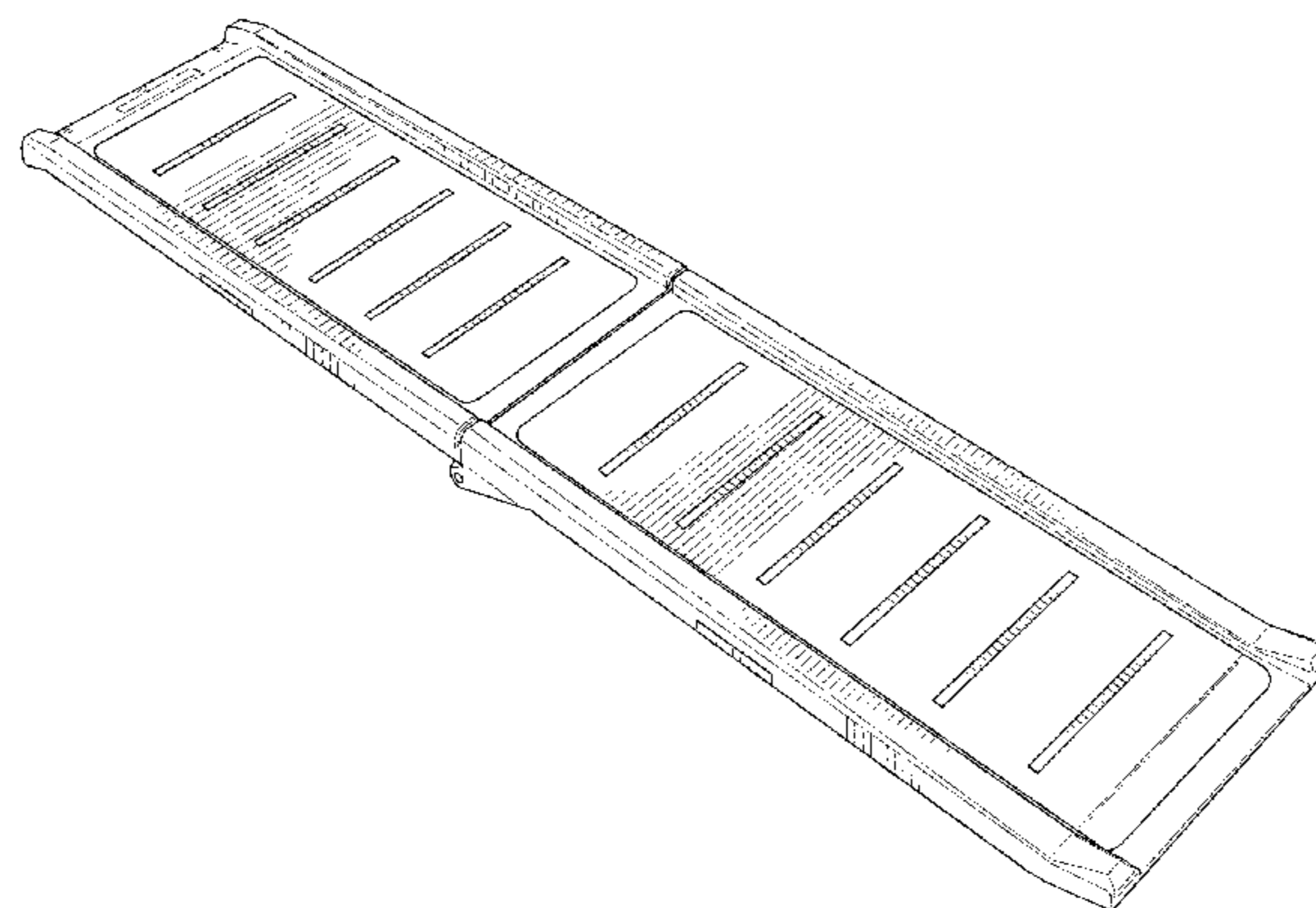
(57) **CLAIM**

The ornamental design for a pet ramp with reflective markings, as shown and described.

**DESCRIPTION**

FIG. 1 is a top, front perspective view of a pet ramp with reflective markings in accordance with our new design; FIG. 2 is a front elevational view thereof; FIG. 3 is a rear elevational view thereof; FIG. 4 is a top plan view thereof; FIG. 5 is a left side elevational view thereof; FIG. 6 is a right side elevational view thereof; FIG. 7 is a bottom view thereof; and, FIG. 8 is a perspective view showing the pet ramp with reflective markings of FIGS. 1-7 in a folded position.

**1 Claim, 4 Drawing Sheets**



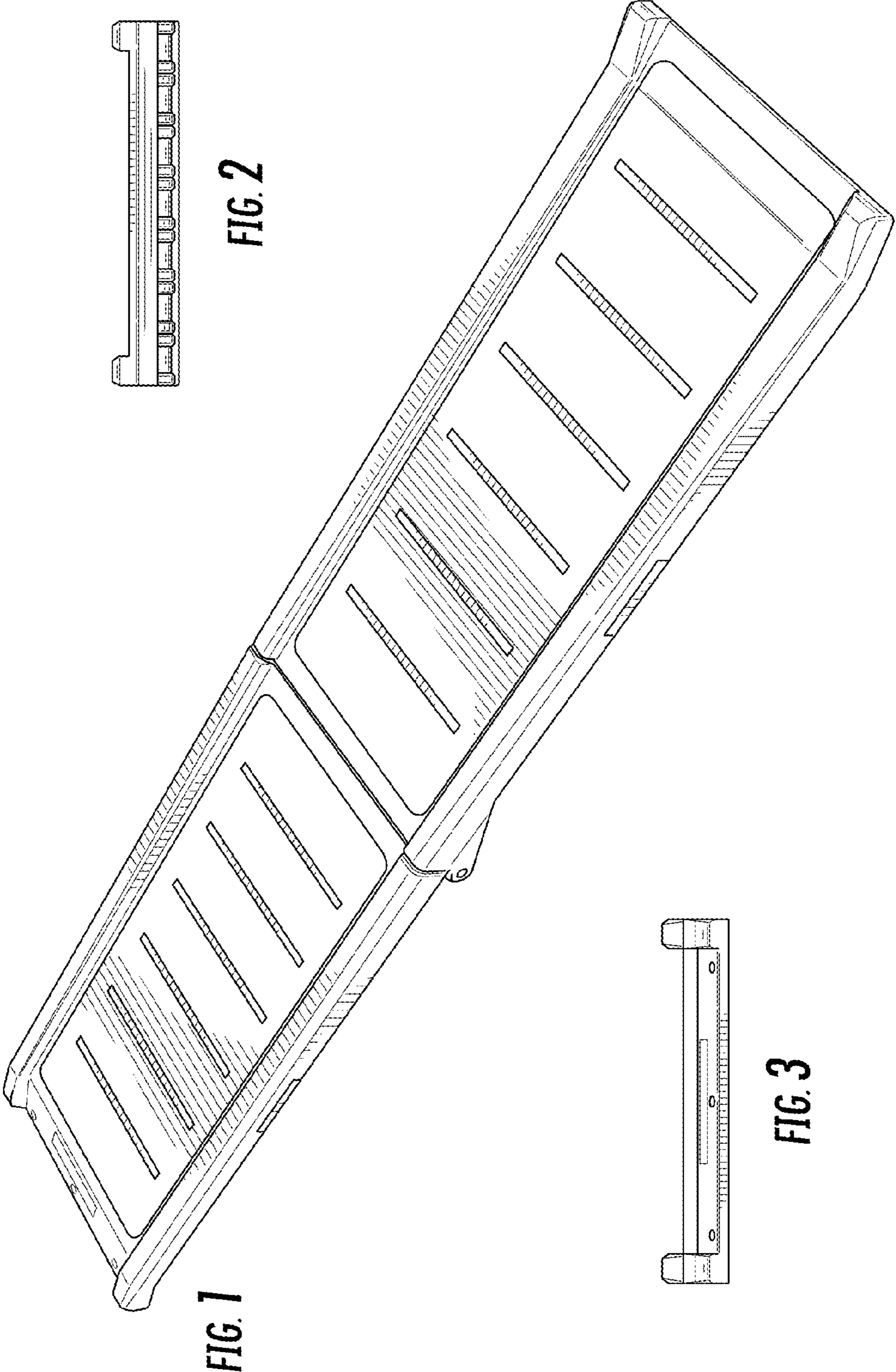


FIG. 2

FIG. 1

FIG. 3

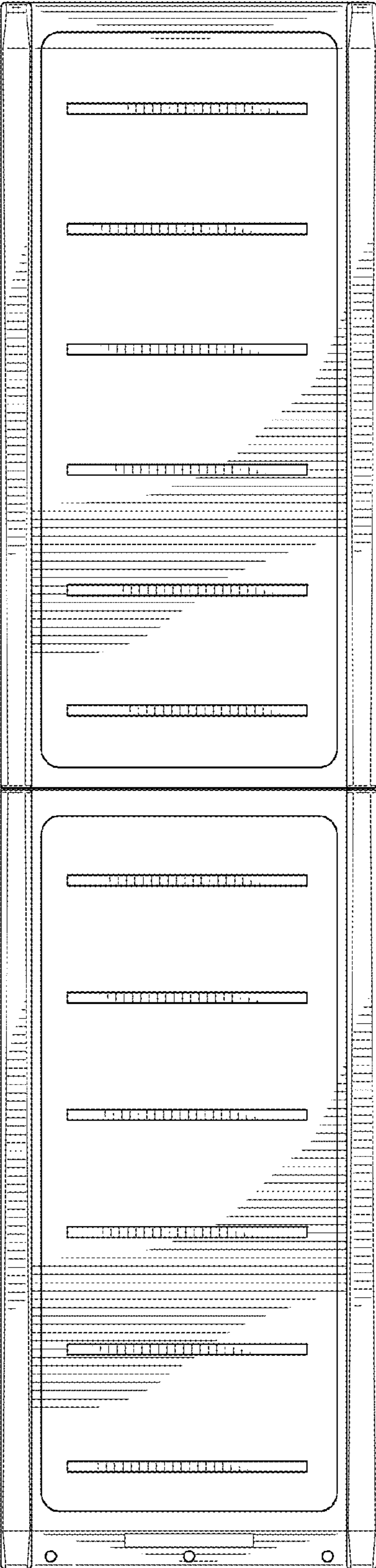


FIG. 4

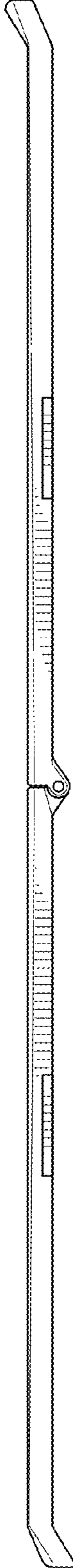


FIG. 5

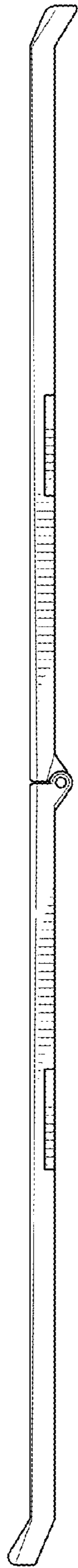


FIG. 6

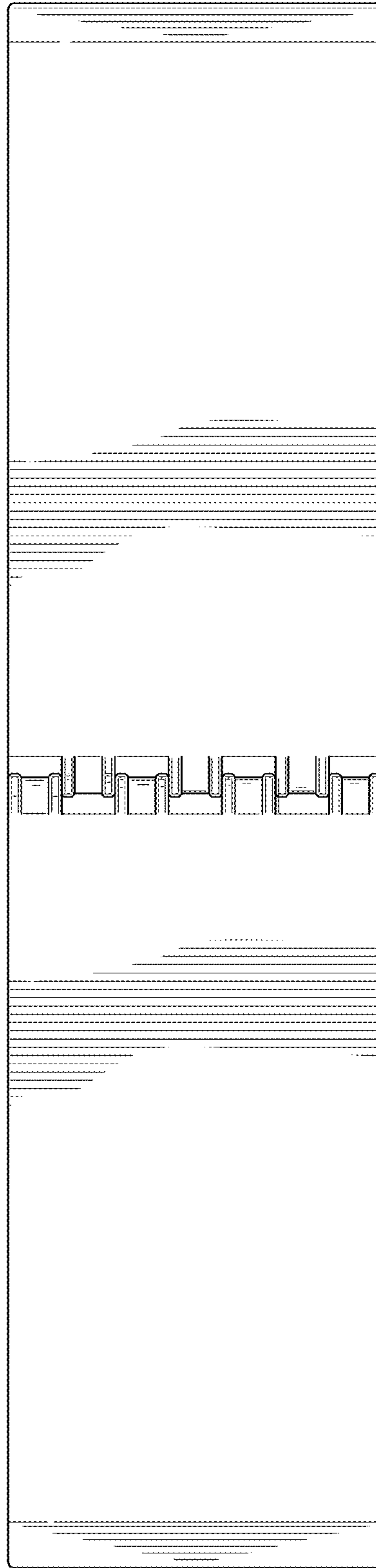


FIG. 7



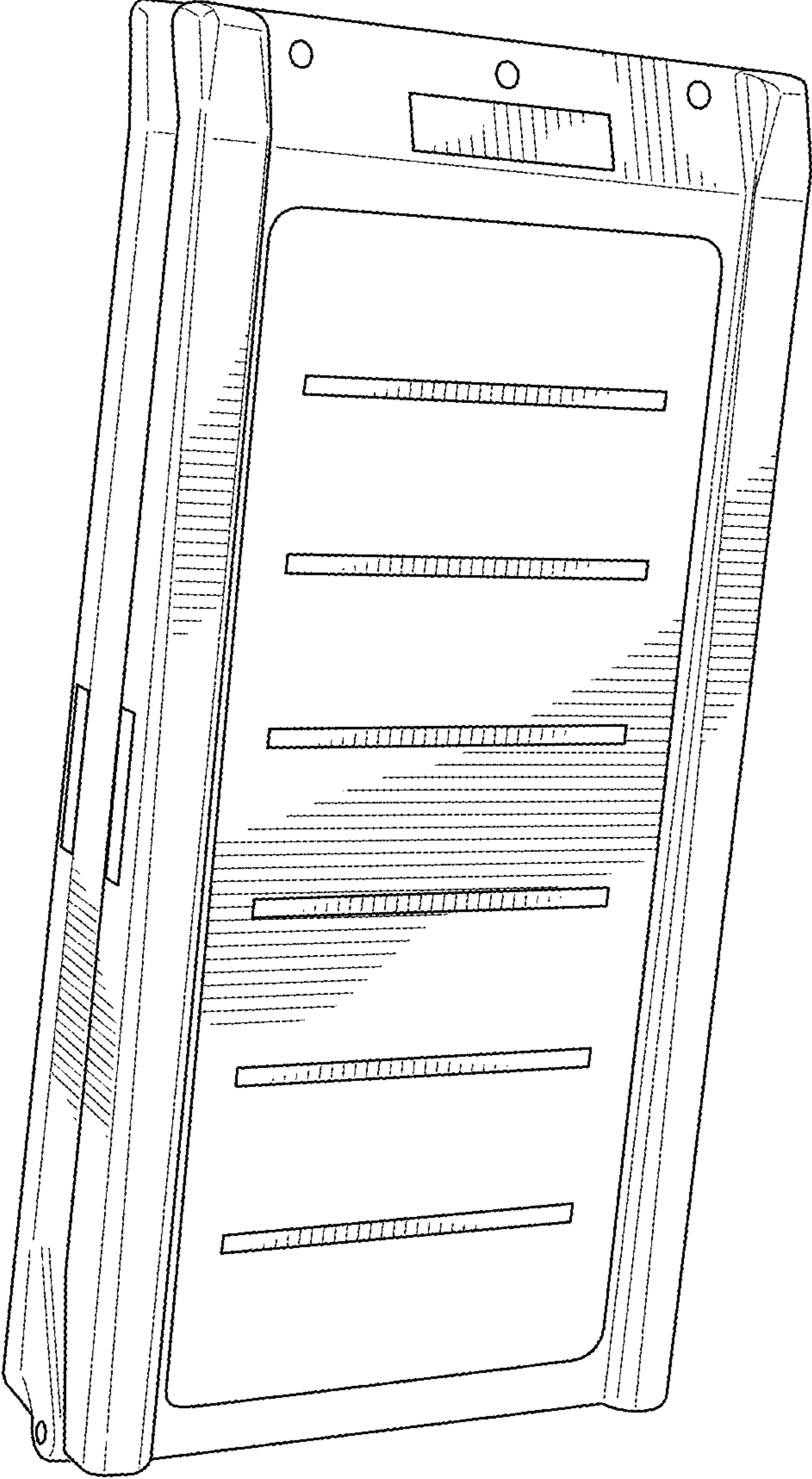


FIG. 8