



US00D729456S

(12) **United States Design Patent**  
**Craven**

(10) **Patent No.:** **US D729,456 S**

(45) **Date of Patent:** **\*\* May 12, 2015**

(54) **HAIR COLOR BOTTLE HOLDER**  
(71) Applicant: **Kathryn Craven**, Merrimack, NH (US)  
(72) Inventor: **Kathryn Craven**, Merrimack, NH (US)  
(\*\*) Term: **14 Years**  
(21) Appl. No.: **29/484,799**  
(22) Filed: **Mar. 13, 2014**

(51) **LOC (10) Cl.** ..... **28-03**

(52) **U.S. Cl.**  
USPC ..... **D28/76**; D7/704; D6/405; D28/73

(58) **Field of Classification Search**  
CPC ..... A47K 1/08; A47F 5/08; A47F 5/02;  
A47F 5/04  
USPC ..... D28/9, 10, 11, 73, 76, 17, 20, 38, 77,  
D28/99, 75, 18; 248/121, 519, 188.7, 523;  
D6/677.3, 405, 682.6, 682.5, 681.3;  
D10/125; D24/233, 128; D3/27, 23,  
D3/24; 132/273, 56; 112/169; D16/242,  
D16/249; 211/85.23; D7/704, 600.4  
See application file for complete search history.

(56) **References Cited**

**U.S. PATENT DOCUMENTS**

1,797,077 A \* 3/1931 Dew et al. .... 248/121  
D185,885 S \* 8/1959 Kawa et al. .... D16/238  
D250,372 S \* 11/1978 Szabo et al. .... D6/455  
D282,701 S \* 2/1986 Tomlin ..... D7/701  
D299,092 S \* 12/1988 Leolli ..... D6/474

6,050,529 A \* 4/2000 Lin ..... 248/121  
D431,128 S \* 9/2000 Rehmert et al. .... D6/405  
D439,072 S \* 3/2001 Hendrikson ..... D6/403  
6,209,732 B1 \* 4/2001 Dennis et al. .... 211/70.6  
D446,402 S \* 8/2001 Davies ..... D6/403  
D451,697 S \* 12/2001 Morley ..... D6/403  
D574,166 S \* 8/2008 Kaisler ..... D6/458  
D669,636 S \* 10/2012 Goodman et al. .... D28/73  
D697,341 S \* 1/2014 Fakahany et al. .... D6/677.3  
2008/0283716 A1 \* 11/2008 Roche ..... 248/523

\* cited by examiner

*Primary Examiner* — Marianne Pandozzi

(74) *Attorney, Agent, or Firm* — Gary E. Lambert; David J. Connaughton, Jr.; Lambert & Associates

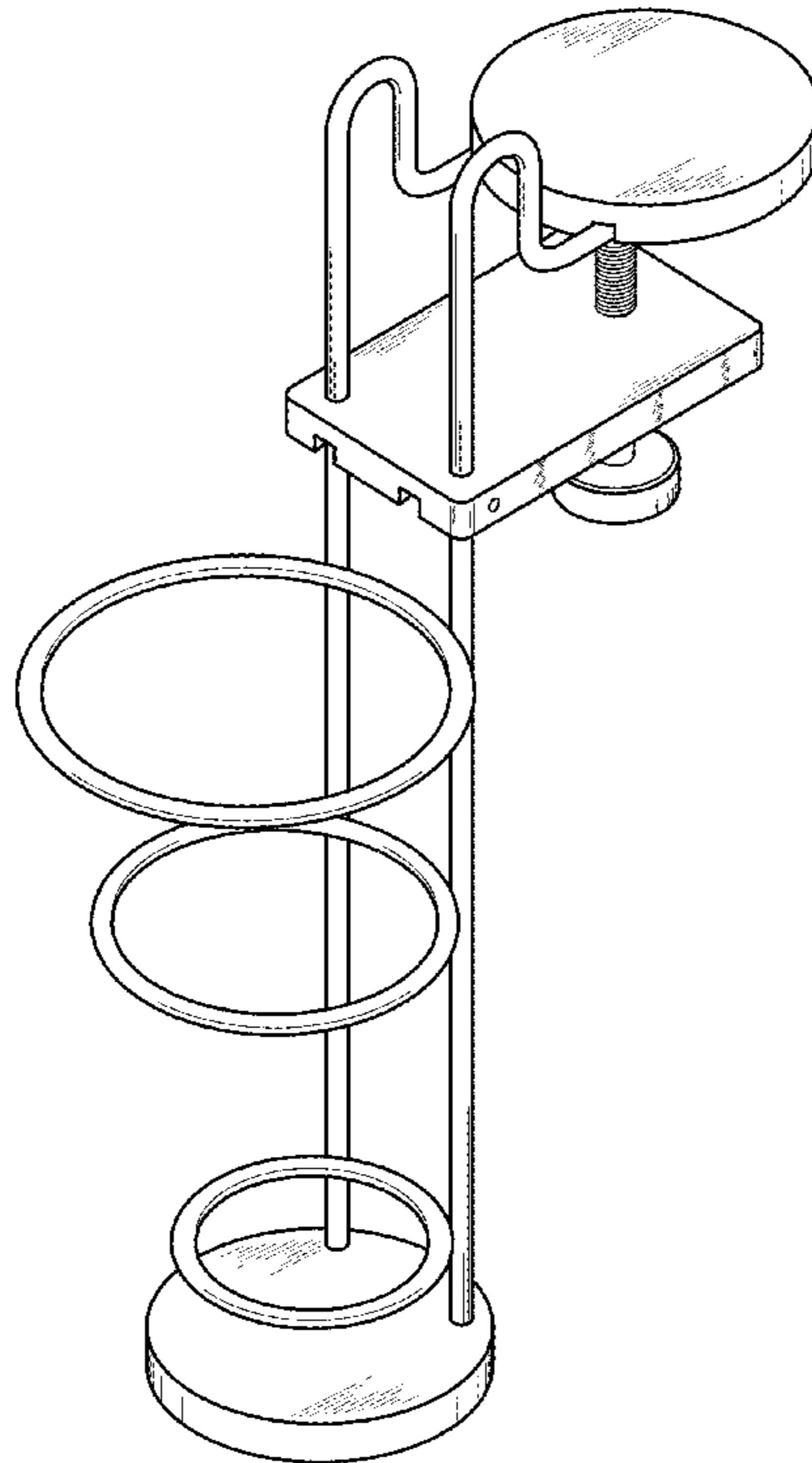
(57) **CLAIM**

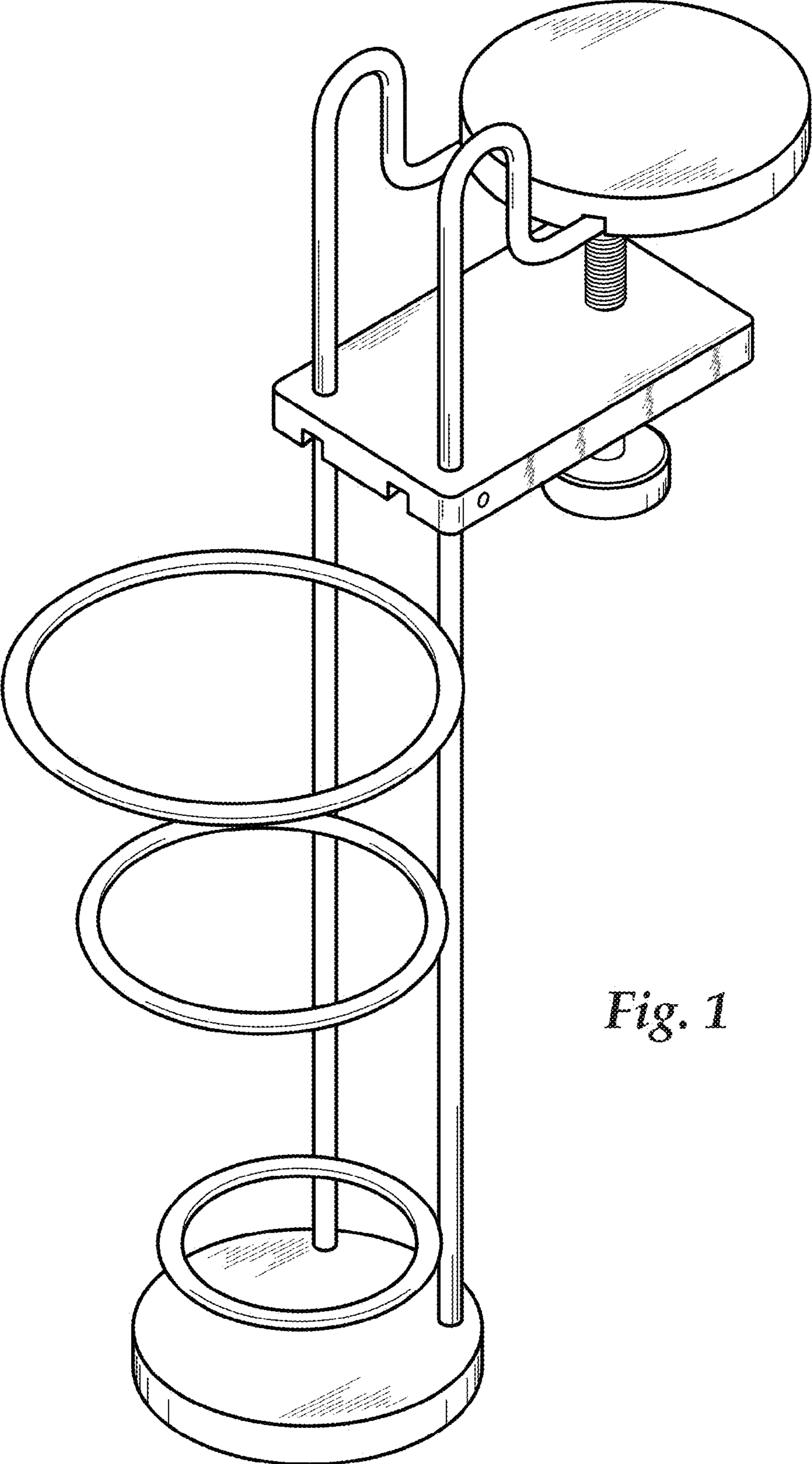
The ornamental design for an hair color bottle holder, as shown and described.

**DESCRIPTION**

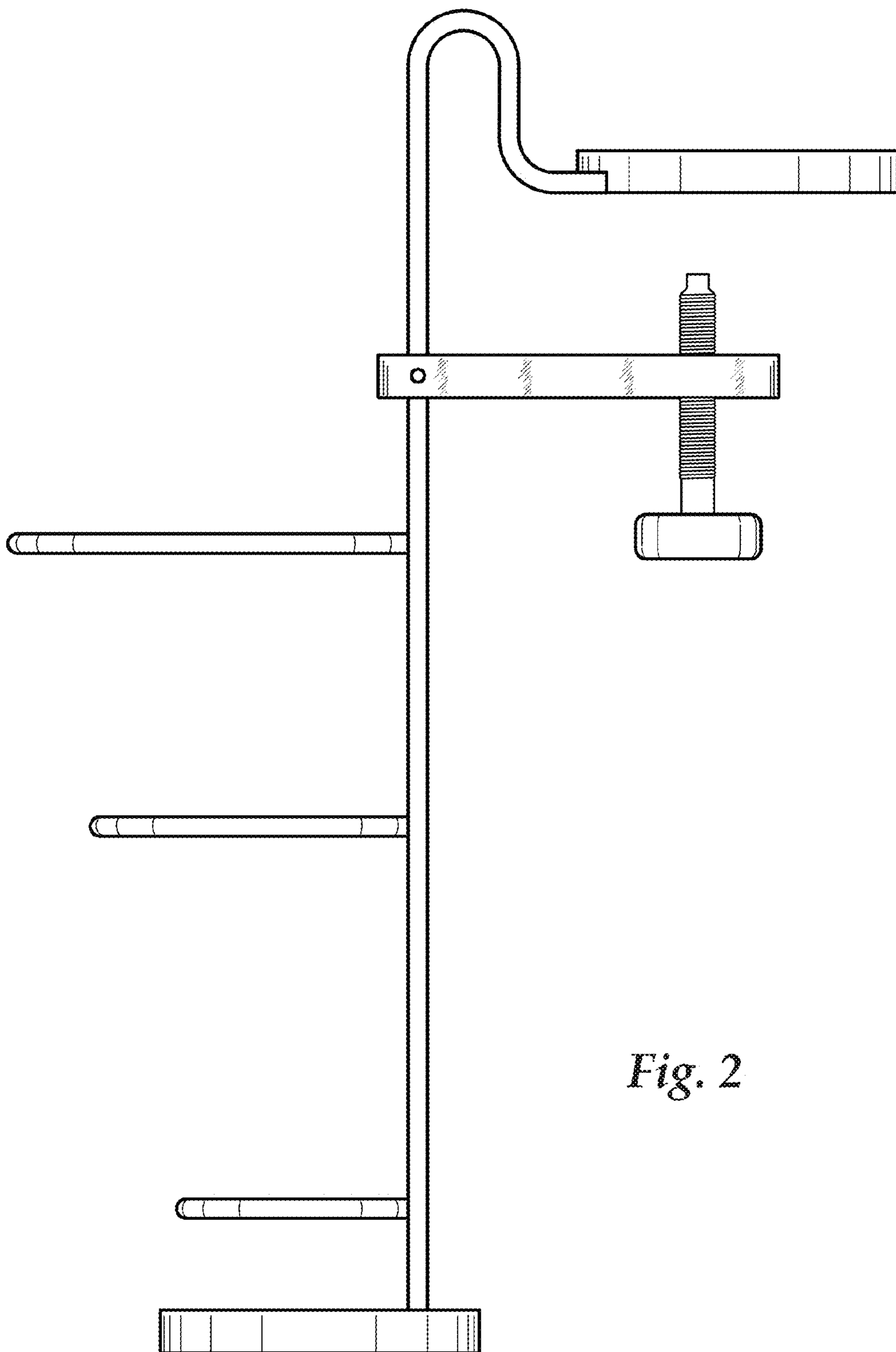
FIG. 1 is a perspective view of a hair color bottle holder showing my new design;  
FIG. 2 is a side view of the hair color bottle holder;  
FIG. 3 is a back view of the hair color bottle holder;  
FIG. 4 is a front view of the hair color bottle holder;  
FIG. 5 is a bottom plan view thereof;  
FIG. 6 is a top plan view thereof; and,  
FIG. 7 is an environmental perspective view thereof.  
The broken lines in FIG. 7 are included for the purpose of illustration and form no part of the claimed design.

**1 Claim, 5 Drawing Sheets**

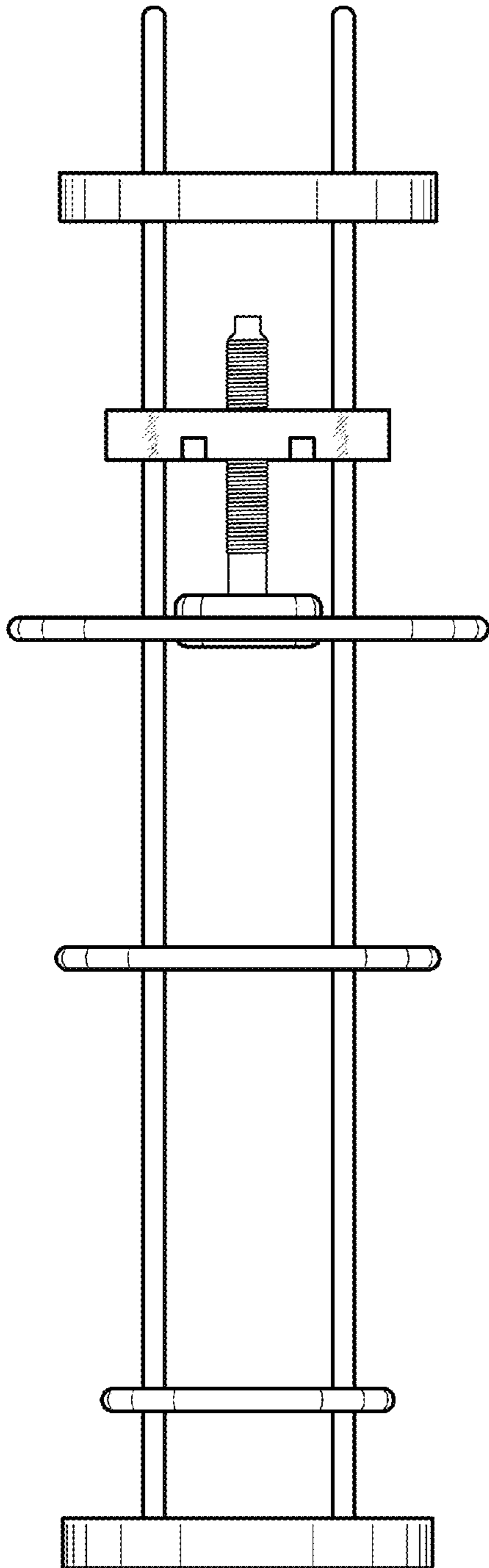




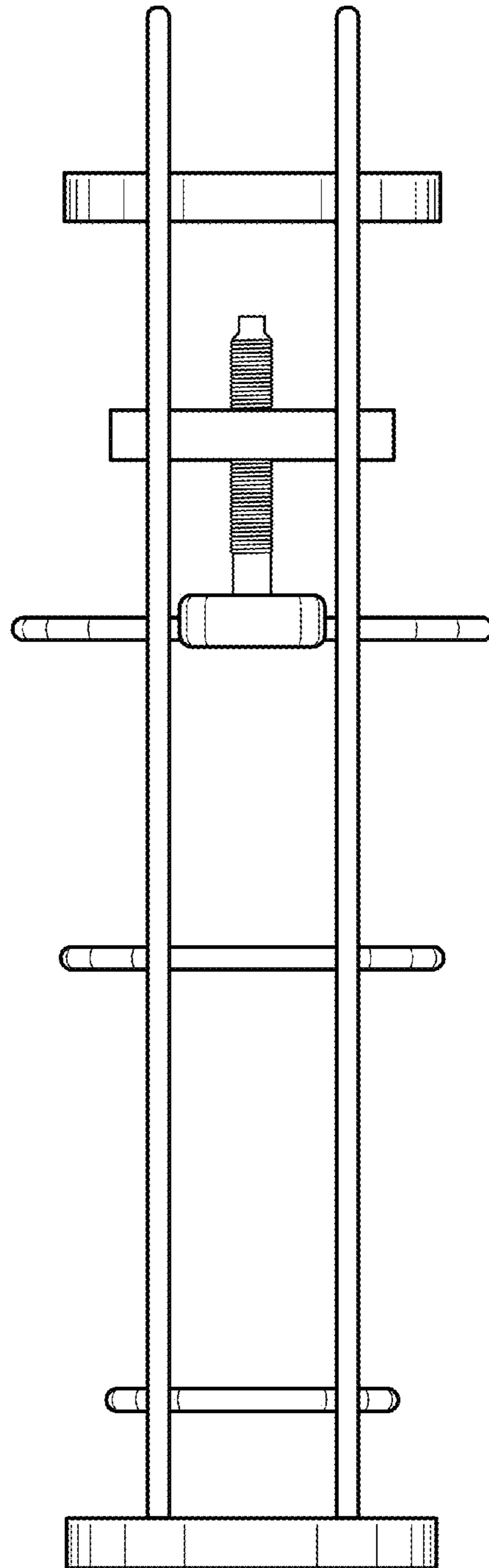
*Fig. 1*



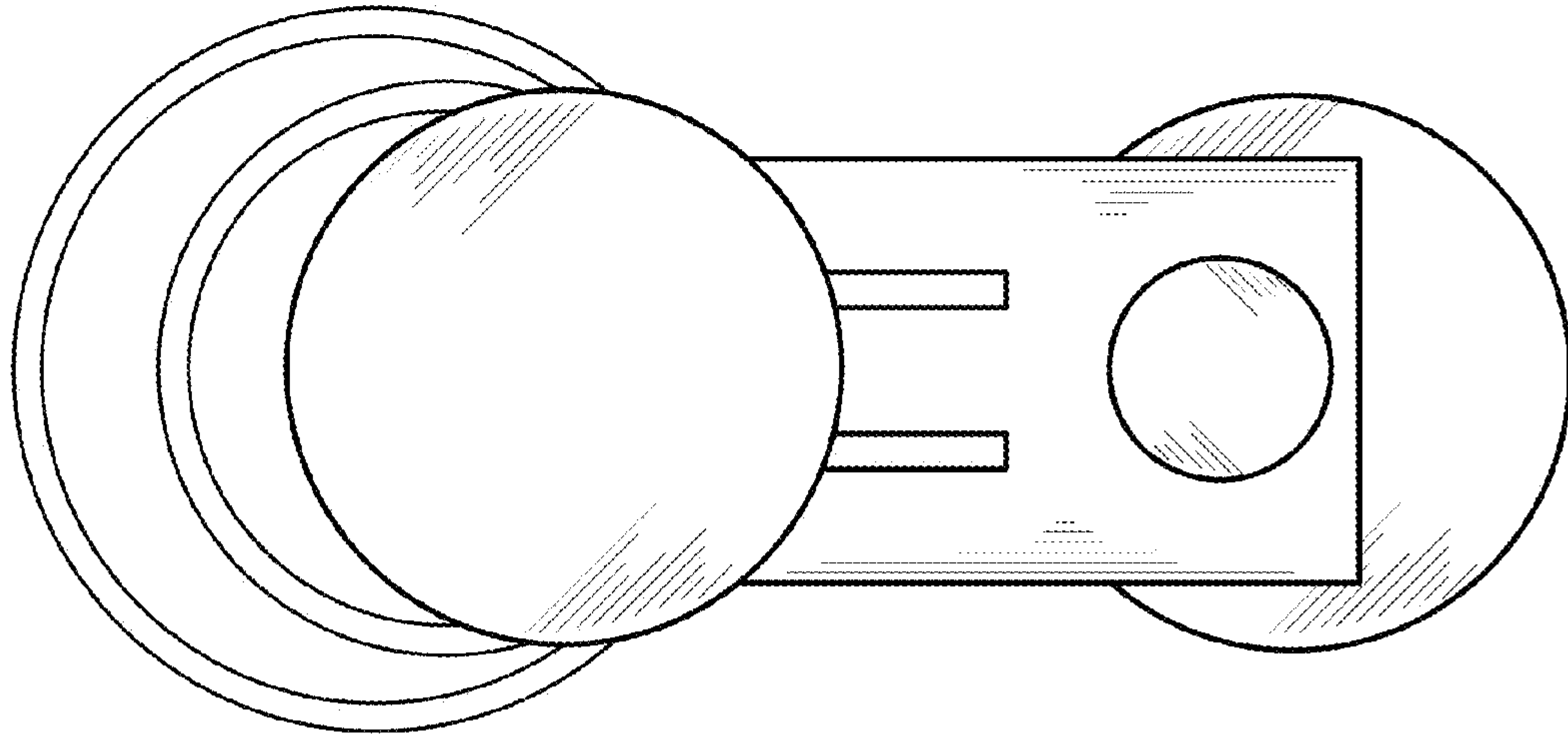
*Fig. 2*



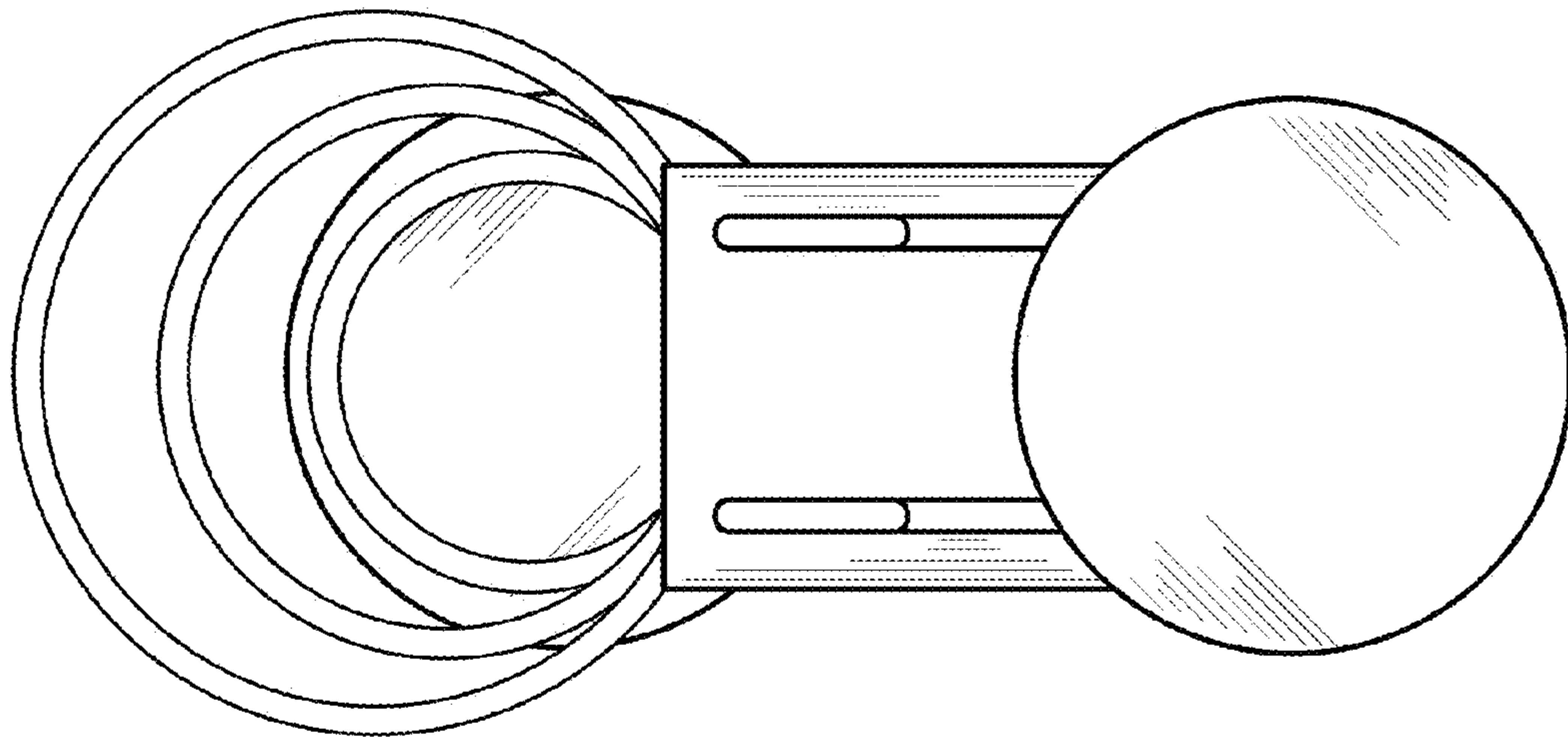
*Fig. 3*



*Fig. 4*



*Fig. 5*



*Fig. 6*

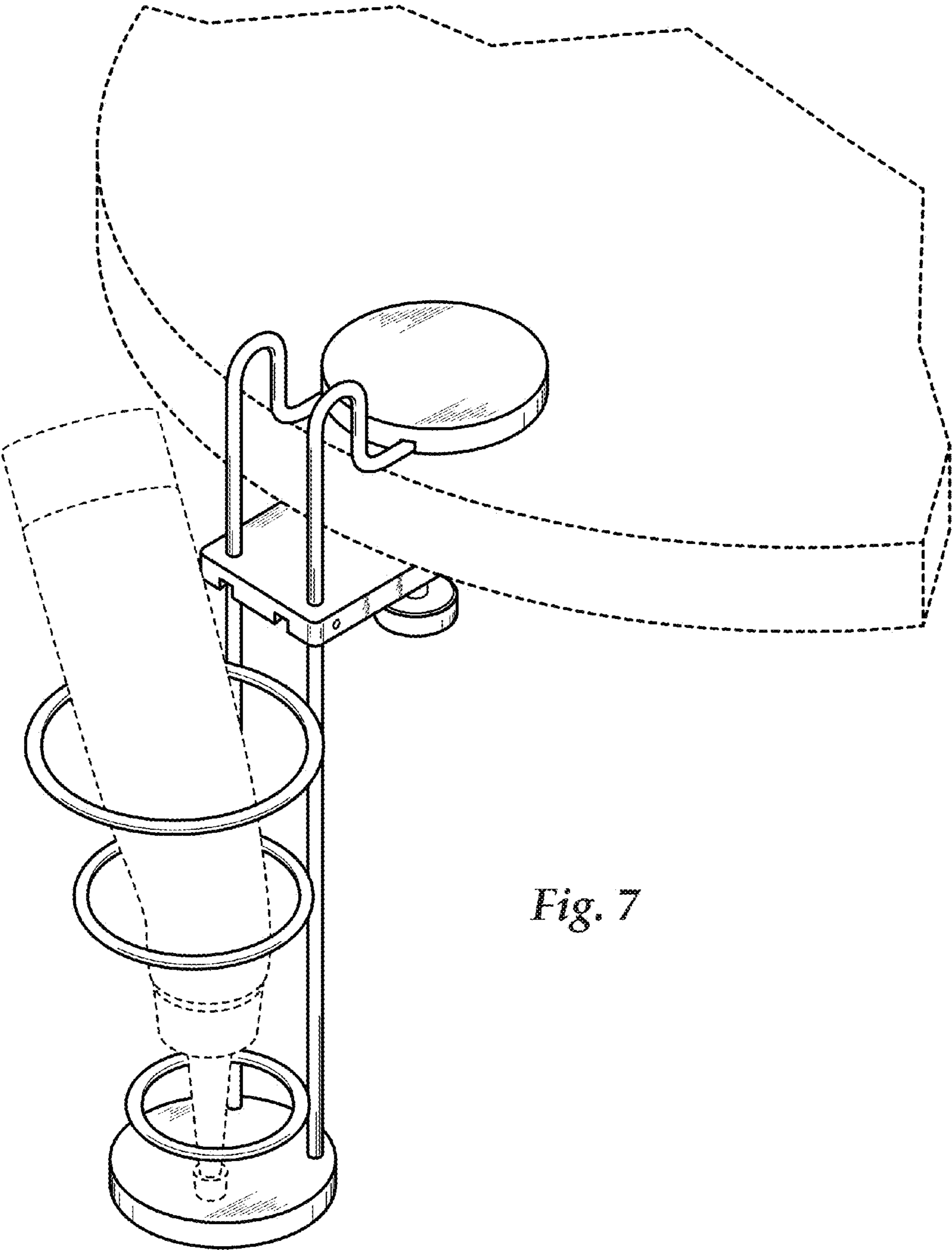


Fig. 7