



US00D729453S

(12) **United States Design Patent**
Provost et al.

(10) **Patent No.:** **US D729,453 S**
(45) **Date of Patent:** **** May 12, 2015**

(54) **RAZOR**
(71) Applicant: **Shavelogic, Inc.**, Dallas, TX (US)
(72) Inventors: **Craig A. Provost**, Providence, RI (US);
John W. Griffin, Moultonborough, NH (US)

(73) Assignee: **Shavelogic, Inc.**, Dallas, TX (US)

(**) Term: **14 Years**

(21) Appl. No.: **29/462,012**

(22) Filed: **Jul. 30, 2013**

(51) **LOC (10) Cl.** **28-03**

(52) **U.S. Cl.**
USPC **D28/48**

(58) **Field of Classification Search**
CPC B26B 21/00–21/12; B26B 21/14;
B26B 21/16; B26B 21/18; B26B
21/20–21/528; B26B 21/4062; B26B 21/4068;
B26B 21/4075
USPC D28/44–48
See application file for complete search history.

(56) **References Cited**

U.S. PATENT DOCUMENTS

D319,893 S * 9/1991 Pittaway D28/48
D542,472 S * 5/2007 Sakurai D28/48

D563,046 S * 2/2008 Provost et al. D28/48
D590,995 S * 4/2009 Furuta D28/48
D593,251 S * 5/2009 King D28/48
D599,955 S * 9/2009 Provost D28/46
D636,531 S * 4/2011 Wilson D28/46
D644,790 S * 9/2011 Lukan et al. D28/48
2005/0102847 A1 * 5/2005 King 30/527
2014/0083265 A1 * 3/2014 Provost et al. 30/57

* cited by examiner

Primary Examiner — Jennifer Rivard

(74) *Attorney, Agent, or Firm* — Leber Patent Law P.C.

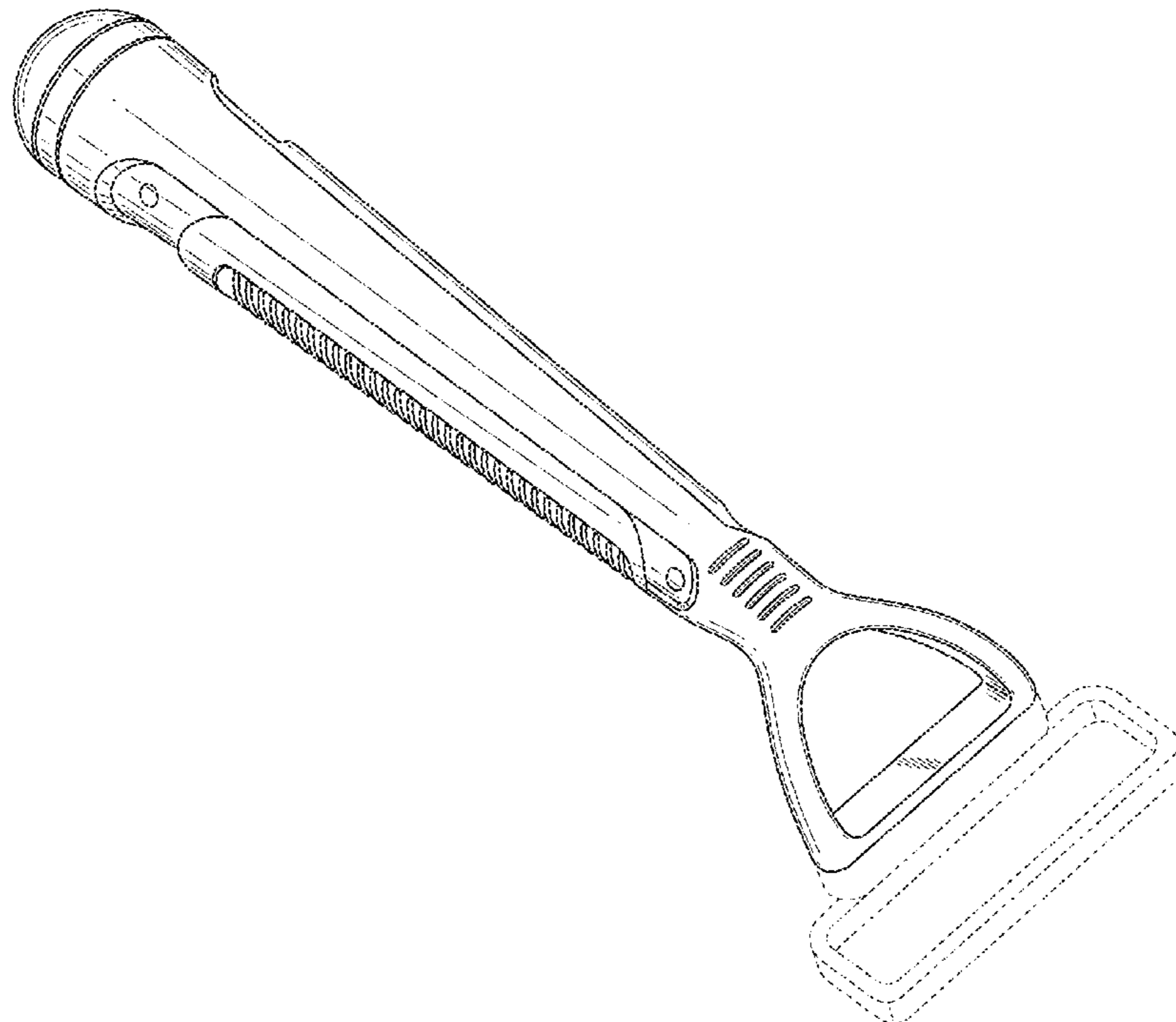
(57) **CLAIM**

What is claimed is the ornamental design for a razor, as shown and described.

DESCRIPTION

FIG. 1 is a top-right-front perspective view of a razor, showing the new design;
FIG. 2 is a rear elevational view thereof;
FIG. 3 is a front elevational view thereof;
FIG. 4 is a bottom plan view thereof;
FIG. 5 is a right-side elevational view thereof (the left-side elevational view is a mirror image thereof);
FIG. 6 is a top plan view thereof; and,
FIG. 7 is a bottom-right-rear perspective view of a razor, showing the new design.
The broken lines illustrate portions of the razor and form no part of the claimed design.

1 Claim, 5 Drawing Sheets



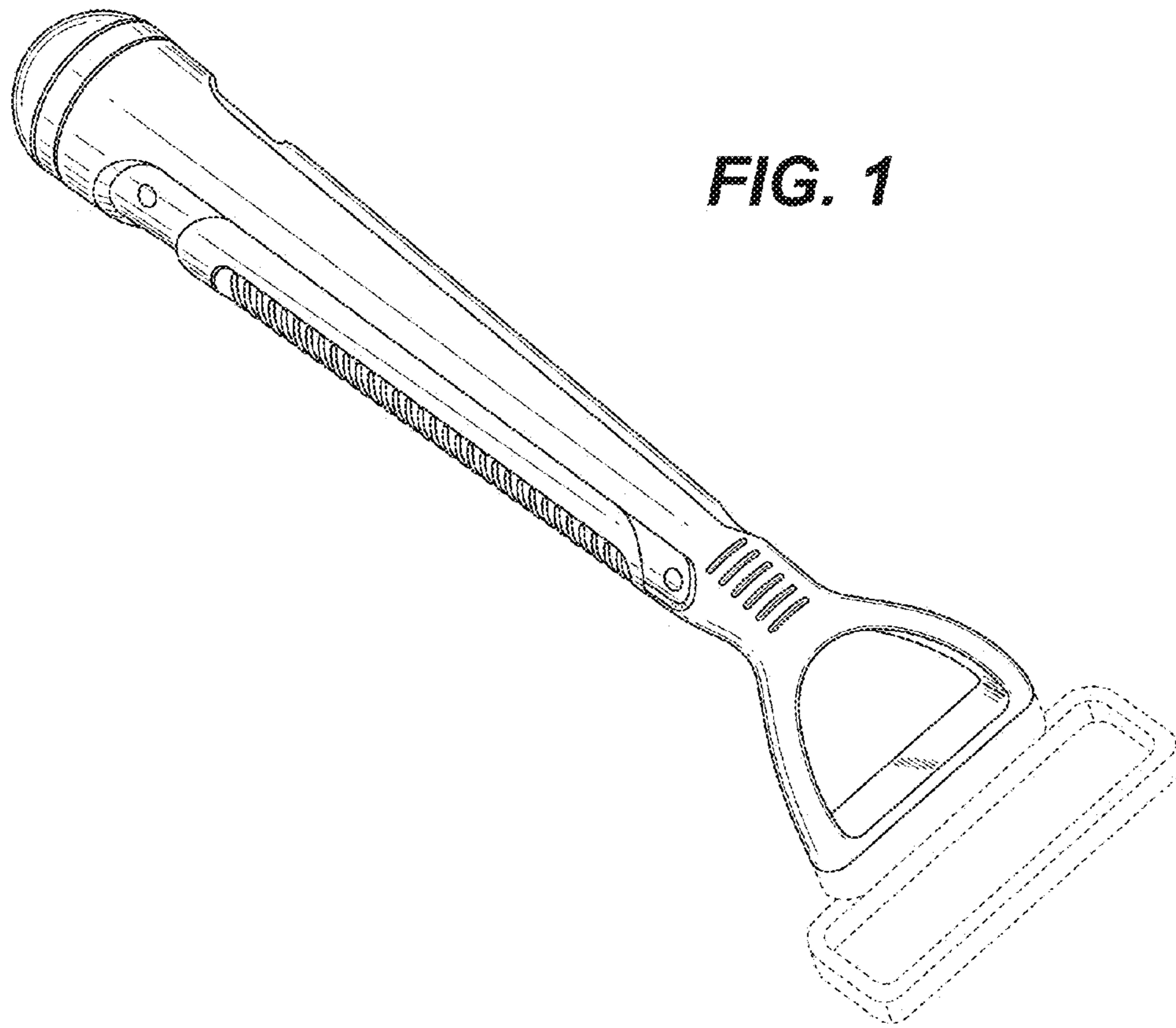


FIG. 1

FIG. 2

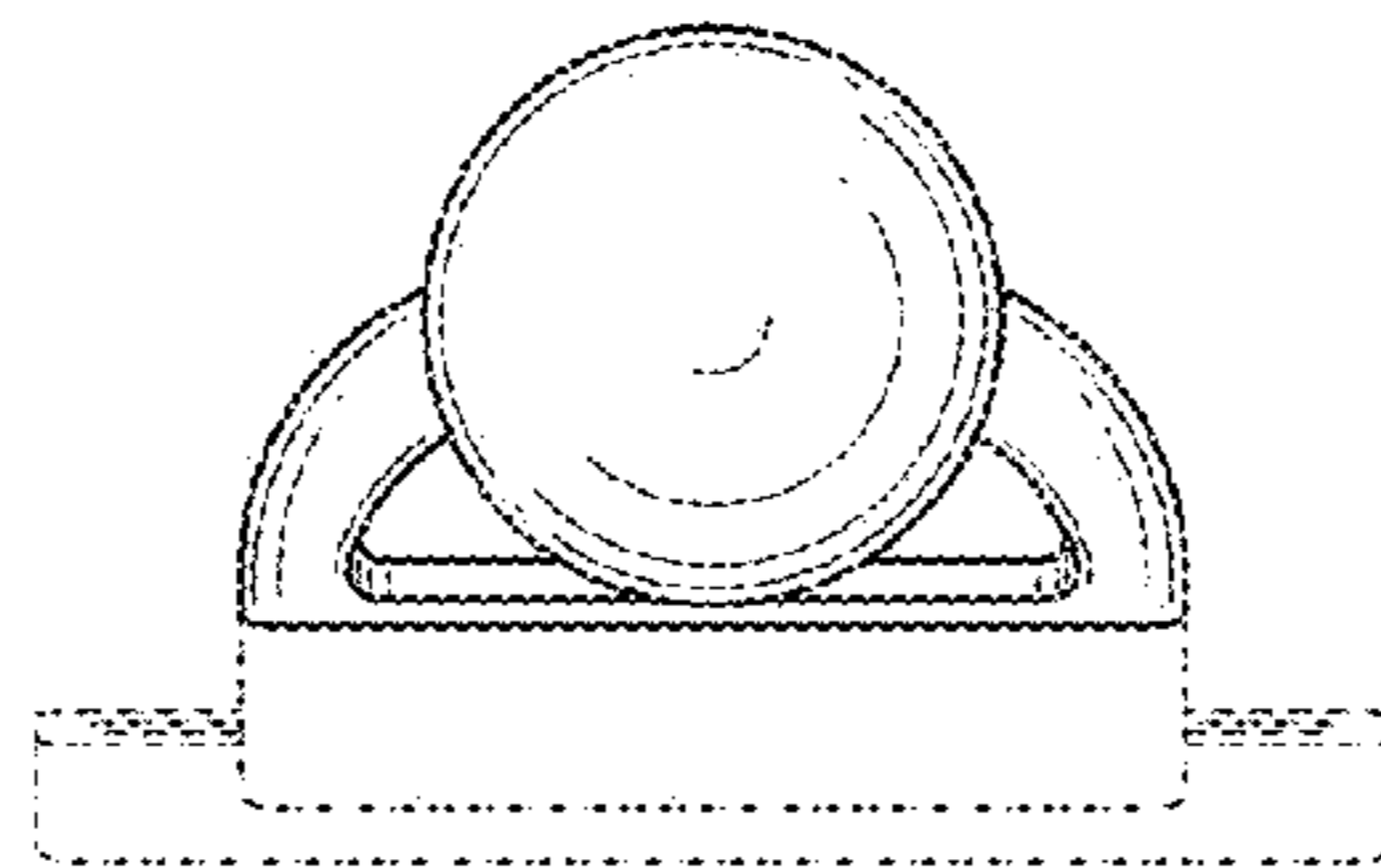


FIG. 3

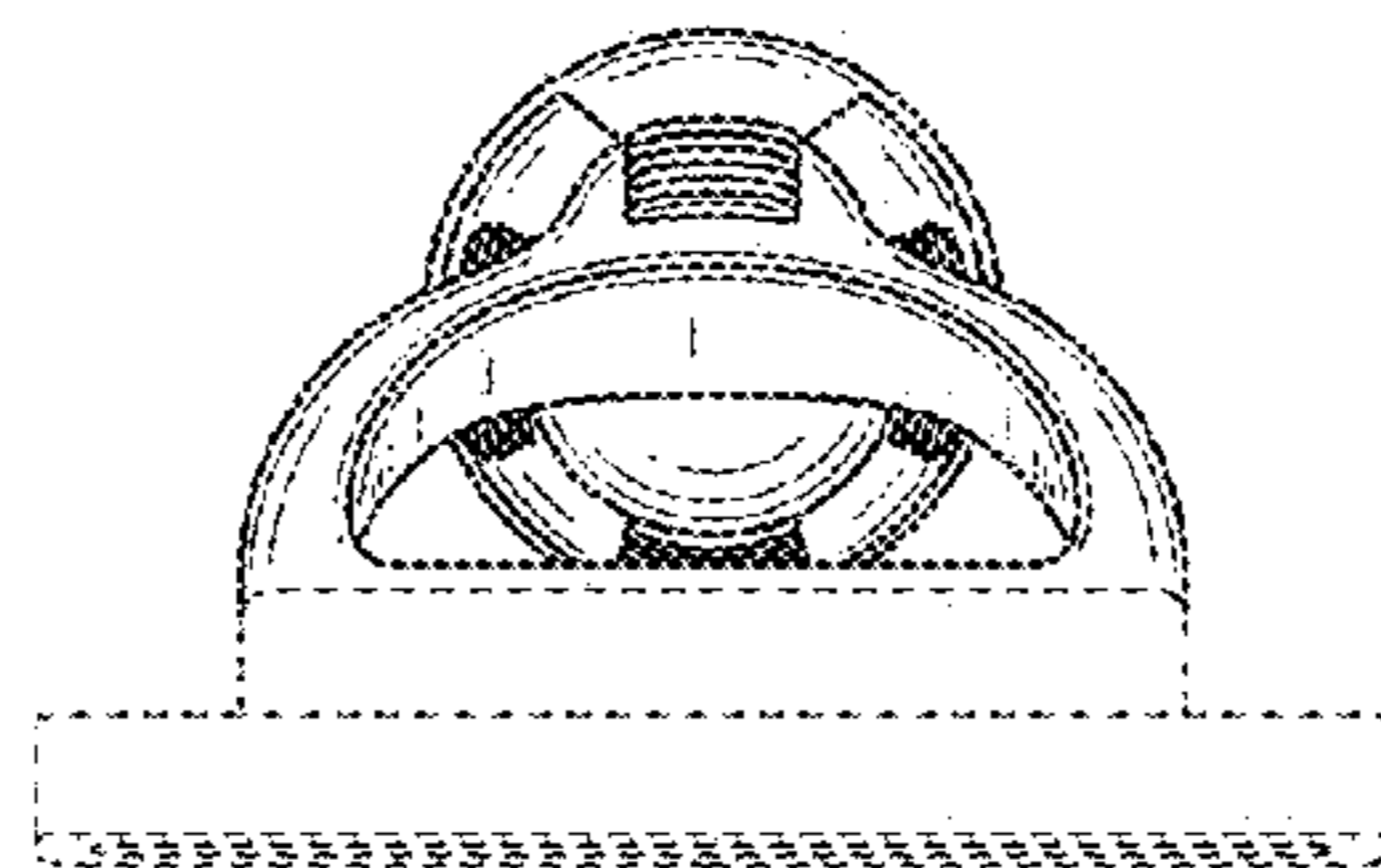


FIG. 4

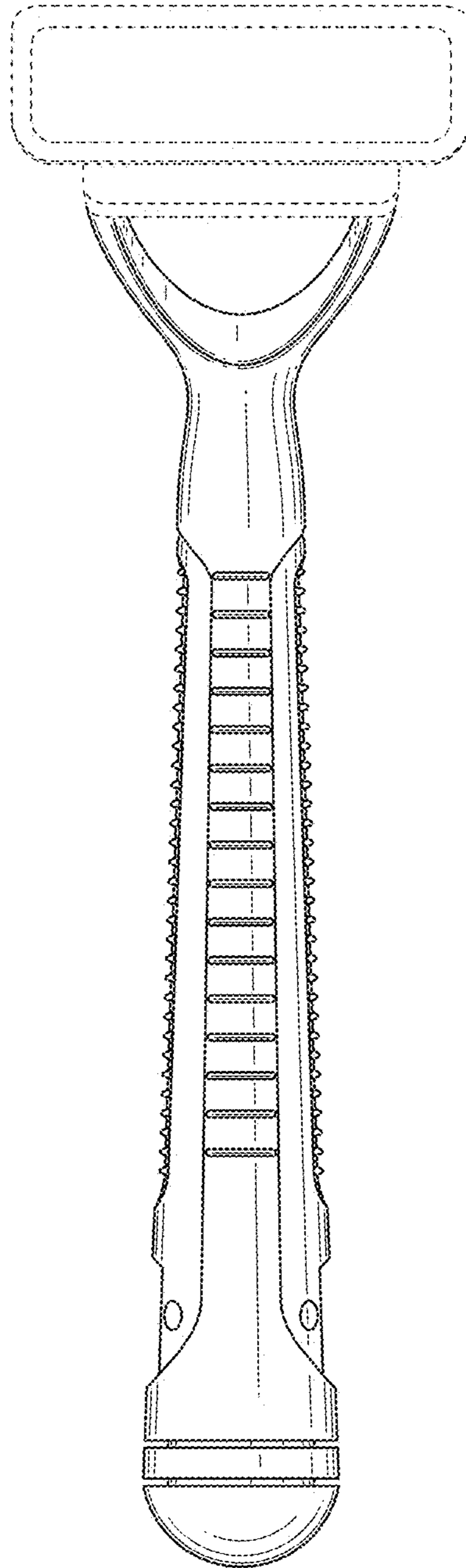


FIG. 5

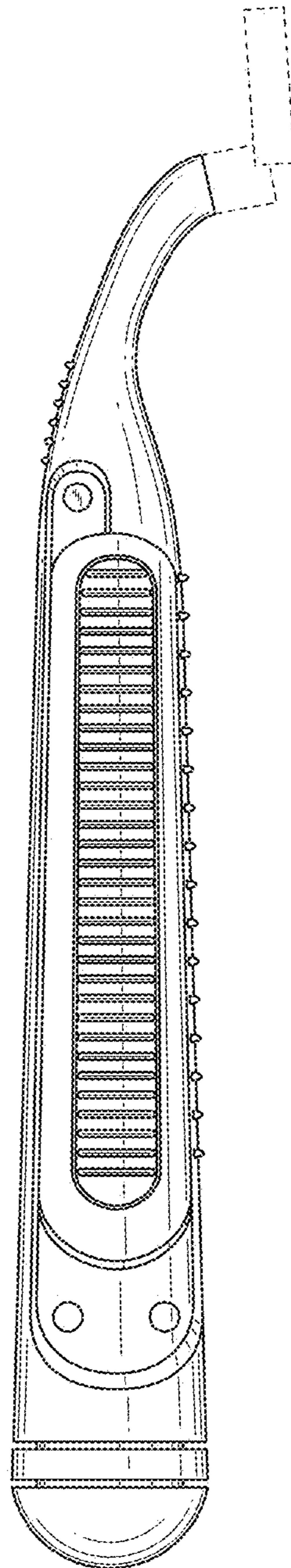
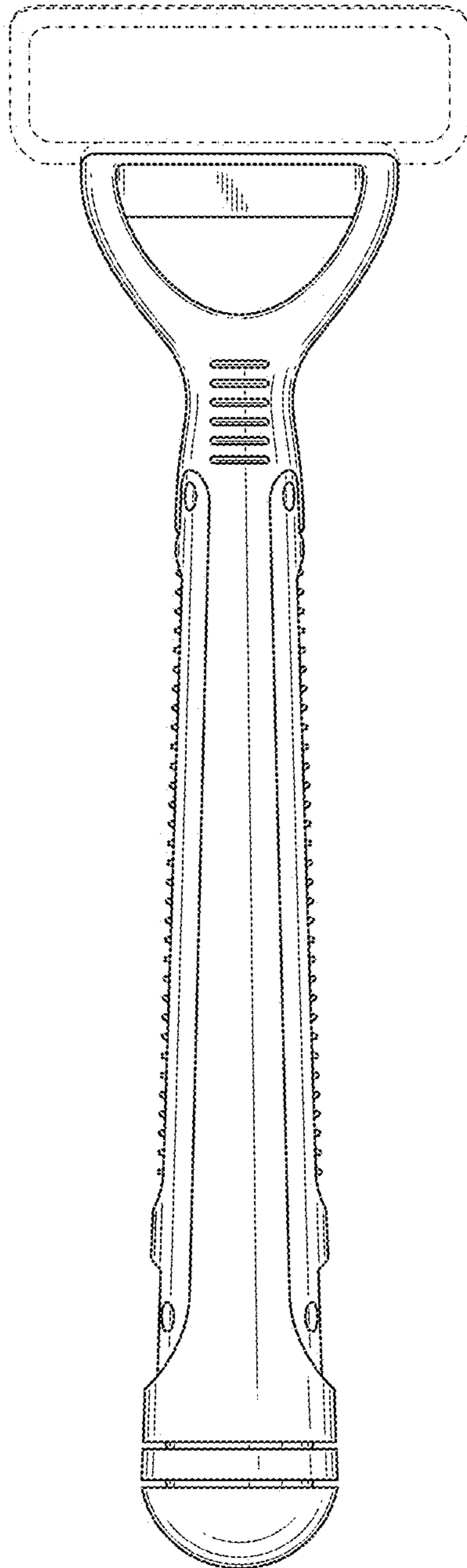


FIG. 6



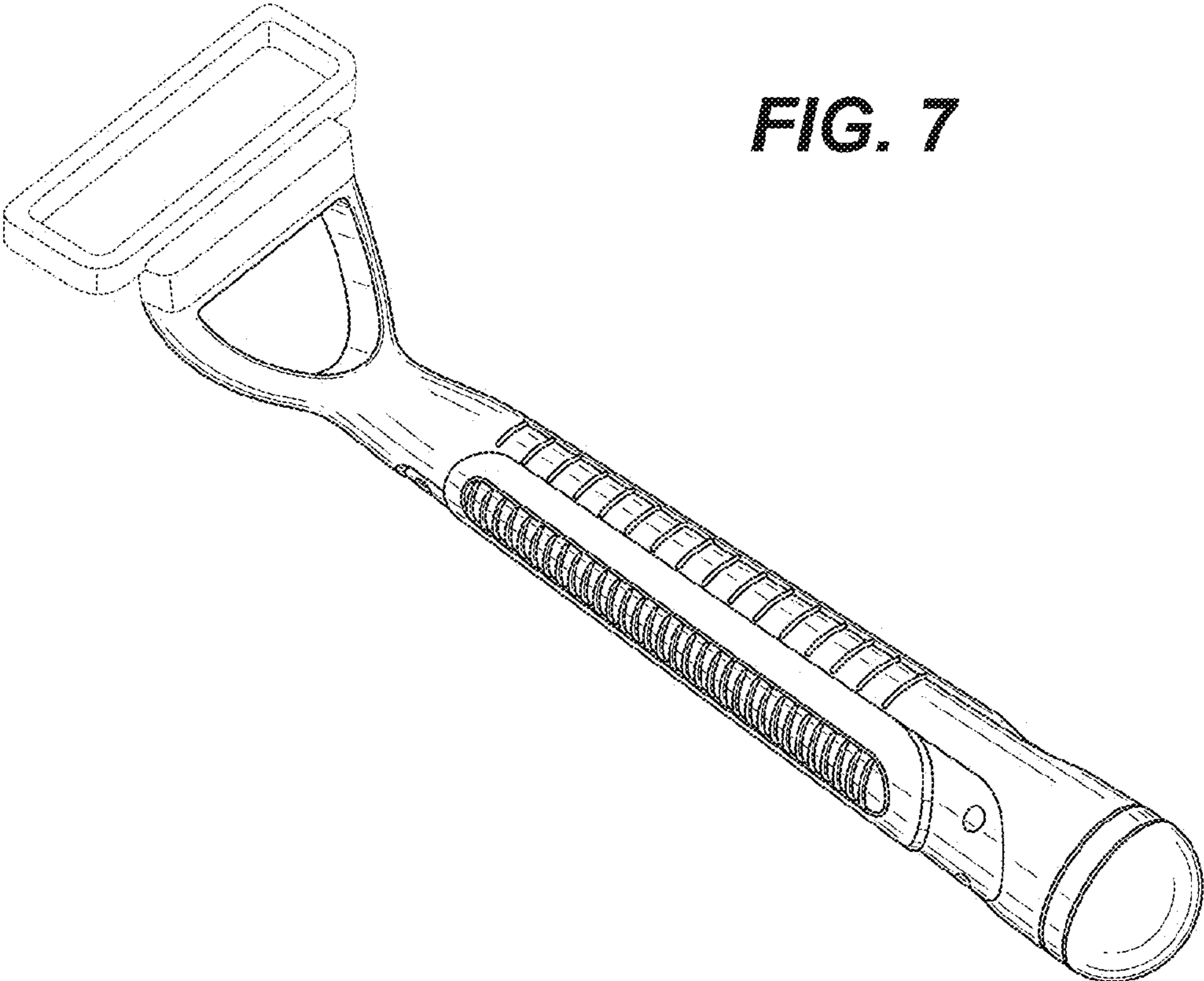


FIG. 7