



US00D729452S

(12) **United States Design Patent**
Griffin et al.

(10) **Patent No.:** **US D729,452 S**

(45) **Date of Patent:** **** May 12, 2015**

(54) **RAZOR**

(71) Applicant: **Shavelogic, Inc.**, Dallas, TX (US)

(72) Inventors: **John W. Griffin**, Moultonborough, MA (US); **Craig A. Provost**, Providence, RI (US); **William E. Tucker**, Attleboro, MA (US)

(73) Assignee: **Shavelogic, Inc.**, Dallas, TX (US)

(**) Term: **14 Years**

(21) Appl. No.: **29/462,008**

(22) Filed: **Jul. 30, 2013**

(51) **LOC (10) Cl.** **28-03**

(52) **U.S. Cl.**
USPC **D28/48**

(58) **Field of Classification Search**
CPC B26B 21/00–21/12; B26B 21/14;
B26B 21/16; B26B 21/18; B26B
21/20–21/528; B26B 21/4062; B26B 21/4068;
B26B 21/4075
USPC D28/44–48
See application file for complete search history.

(56) **References Cited**

U.S. PATENT DOCUMENTS

D542,472 S * 5/2007 Sakurai D28/48
D590,995 S * 4/2009 Furuta D28/48

D593,251 S * 5/2009 King D28/48
D599,955 S * 9/2009 Provost D28/46
2005/0102847 A1 * 5/2005 King 30/527
2011/0308089 A1 * 12/2011 Bridges 30/77
2012/0233868 A1 * 9/2012 Bridges et al. 30/526
2013/0312272 A1 * 11/2013 Wilson et al. 30/532
2014/0083265 A1 * 3/2014 Provost et al. 30/57

* cited by examiner

Primary Examiner — Jennifer Rivard

(74) *Attorney, Agent, or Firm* — Leber Patent Law P.C.

(57) **CLAIM**

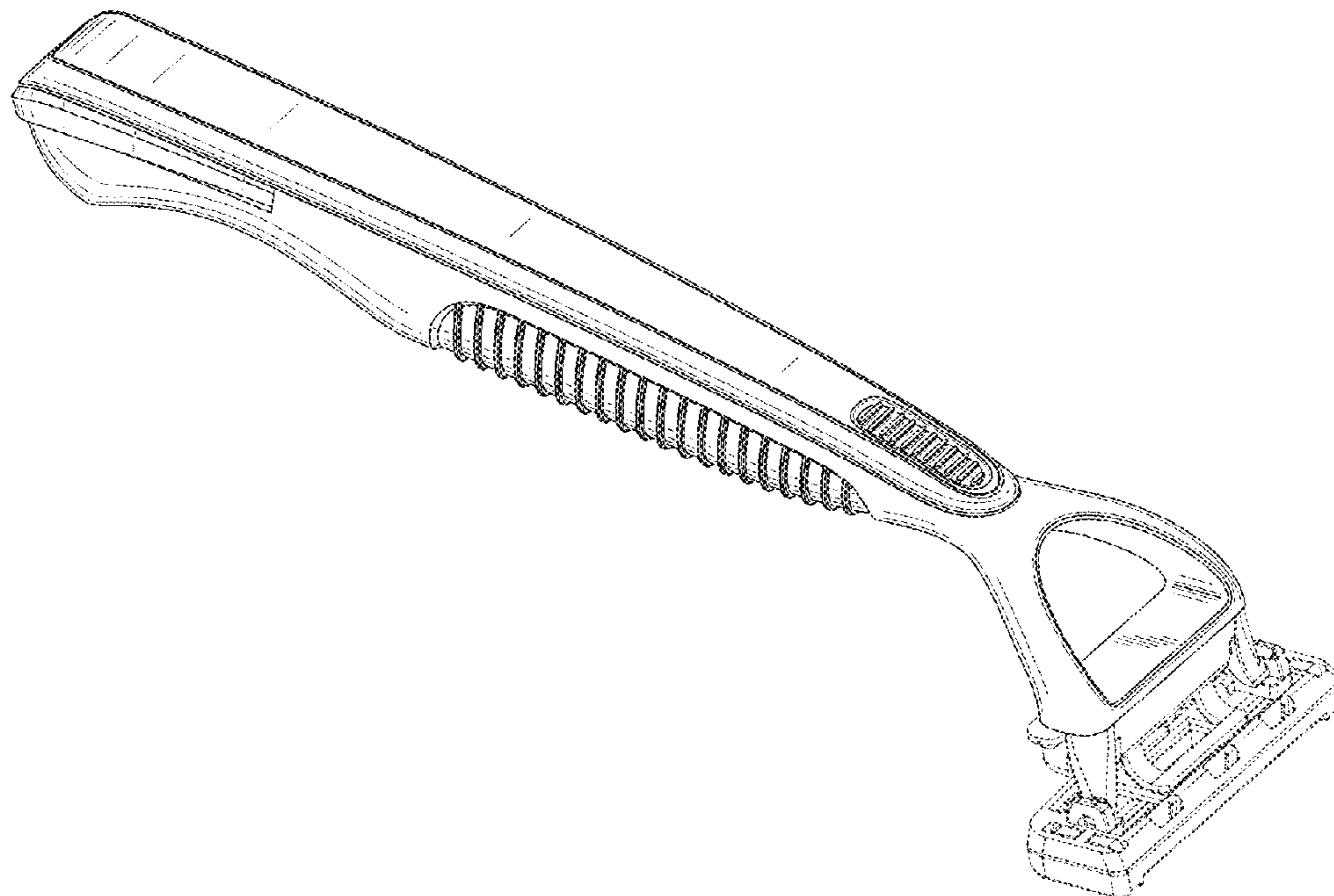
What is claimed is the ornamental design for a razor, as shown and described.

DESCRIPTION

FIG. 1 is a top-right-front perspective view of a razor, showing the new design;
FIG. 2 is a rear elevational view thereof;
FIG. 3 is a front elevational view thereof;
FIG. 4 is a bottom plan view thereof;
FIG. 5 is a top plan view thereof;
FIG. 6 is a right-side elevational view thereof (the left-side elevational view is a mirror image thereof); and,
FIG. 7 is a bottom-right-rear perspective view of a razor, showing the new design.

The broken lines illustrate portions of the razor and form no part of the claimed design.

1 Claim, 5 Drawing Sheets



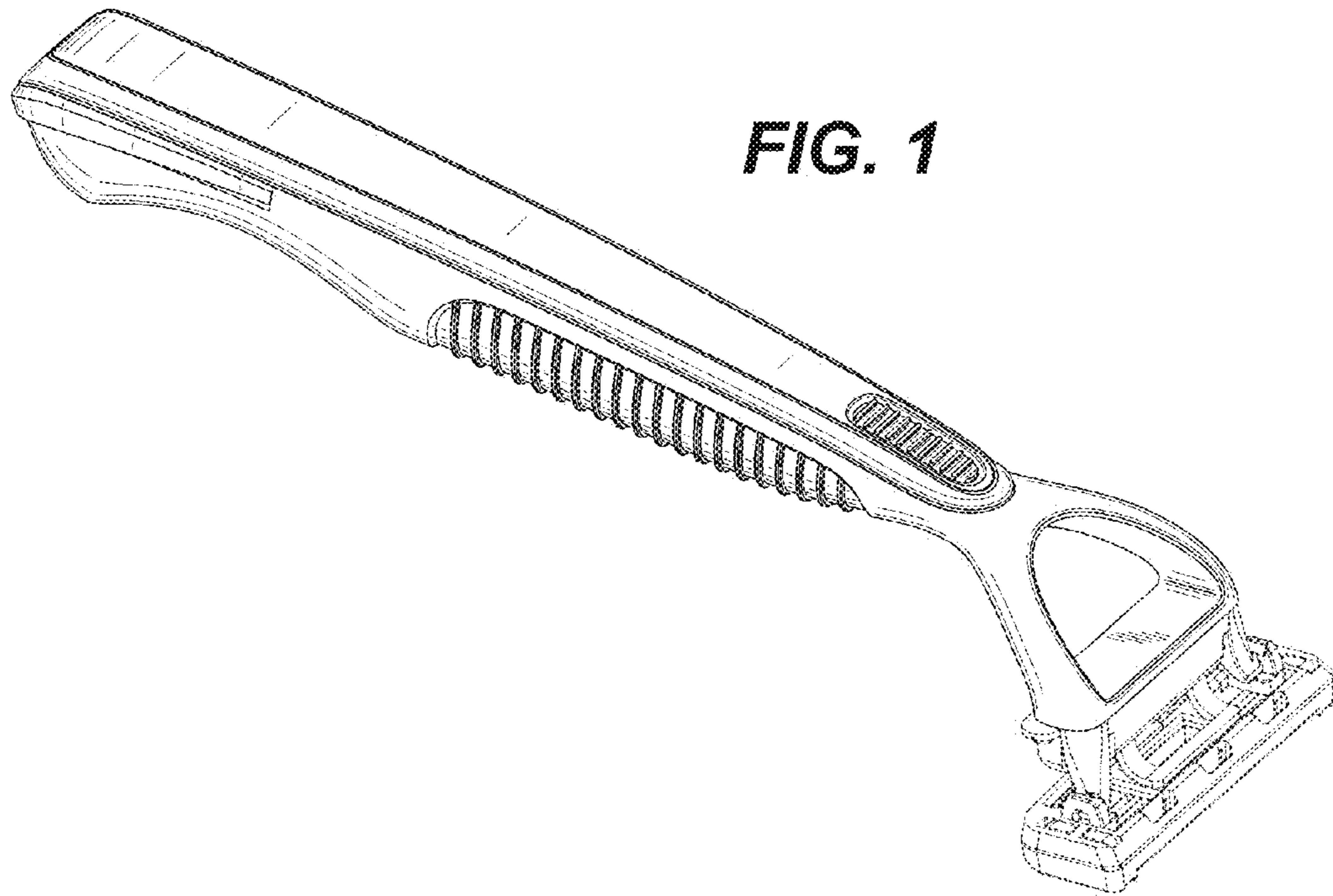


FIG. 2

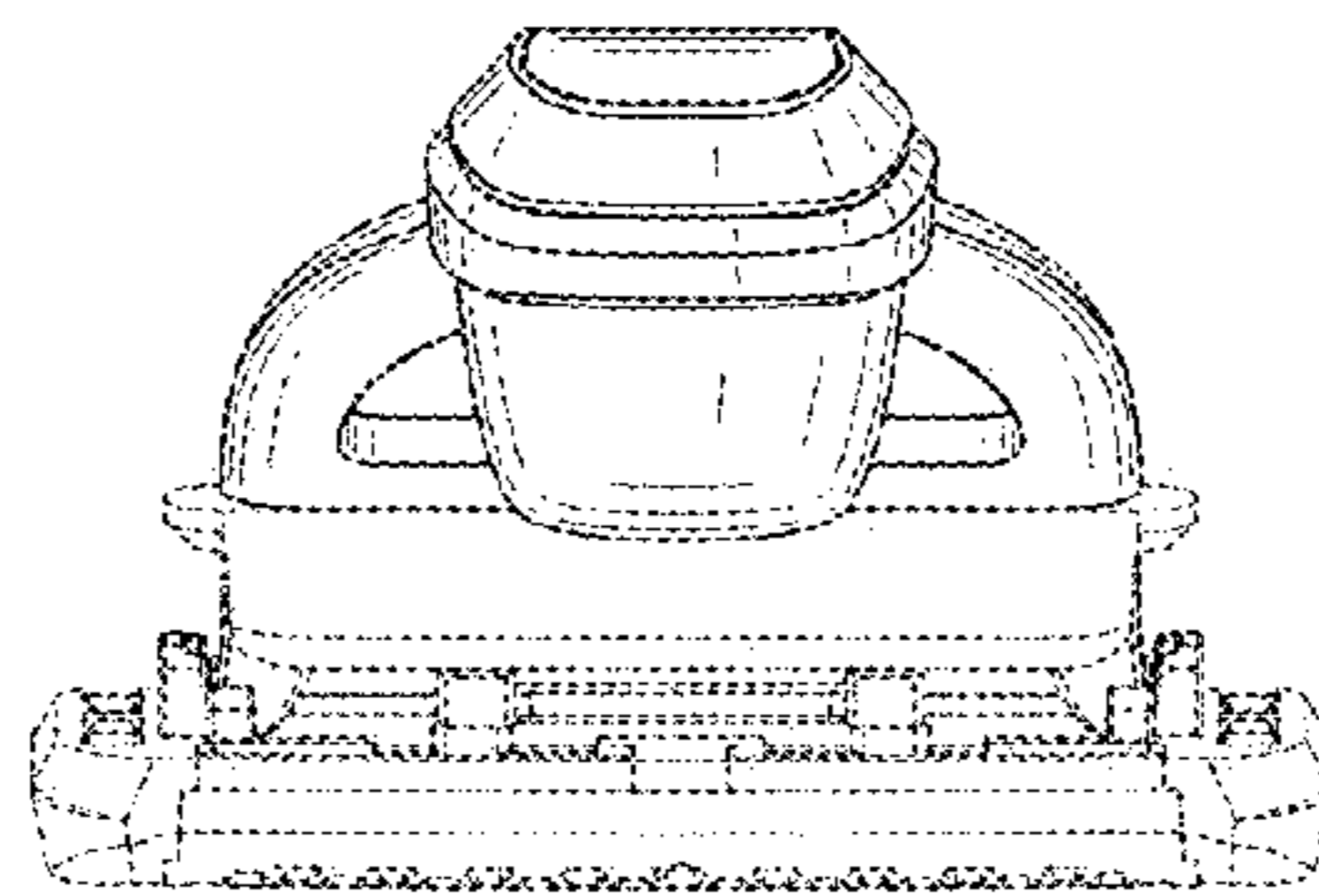


FIG. 3

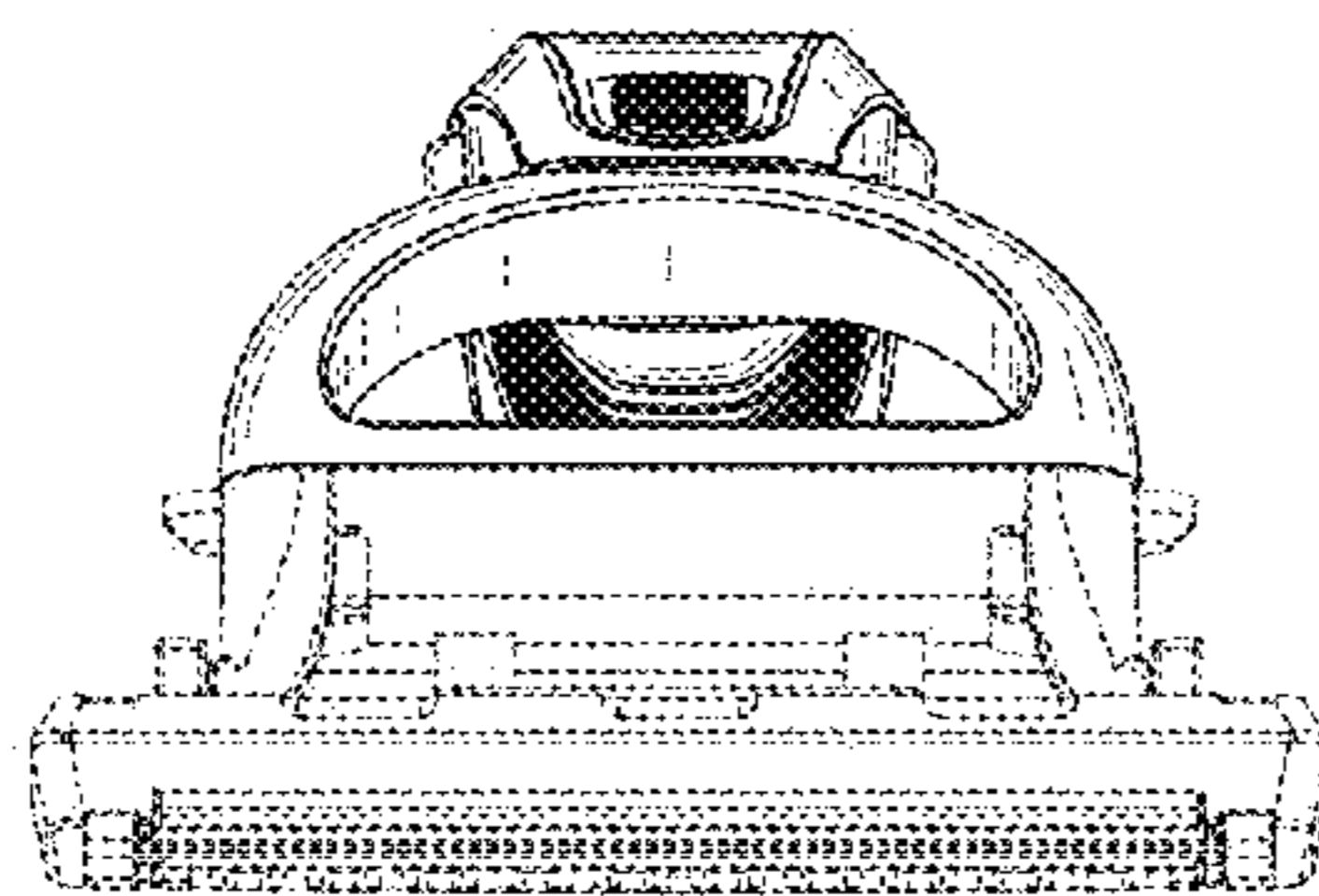


FIG. 4

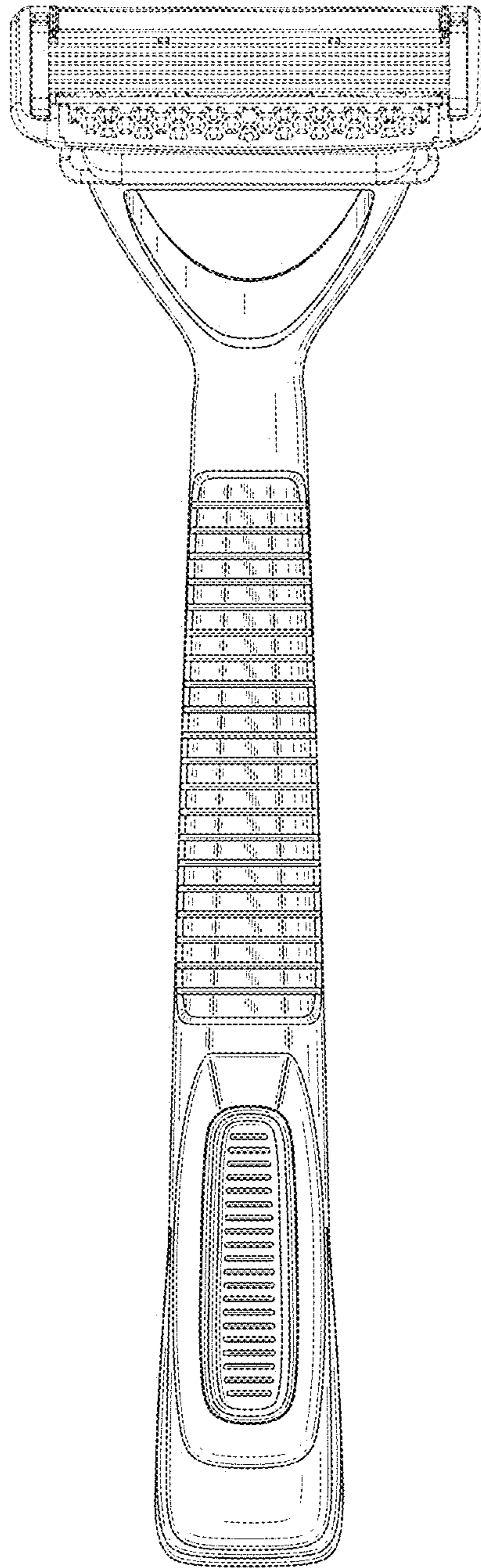


FIG. 5

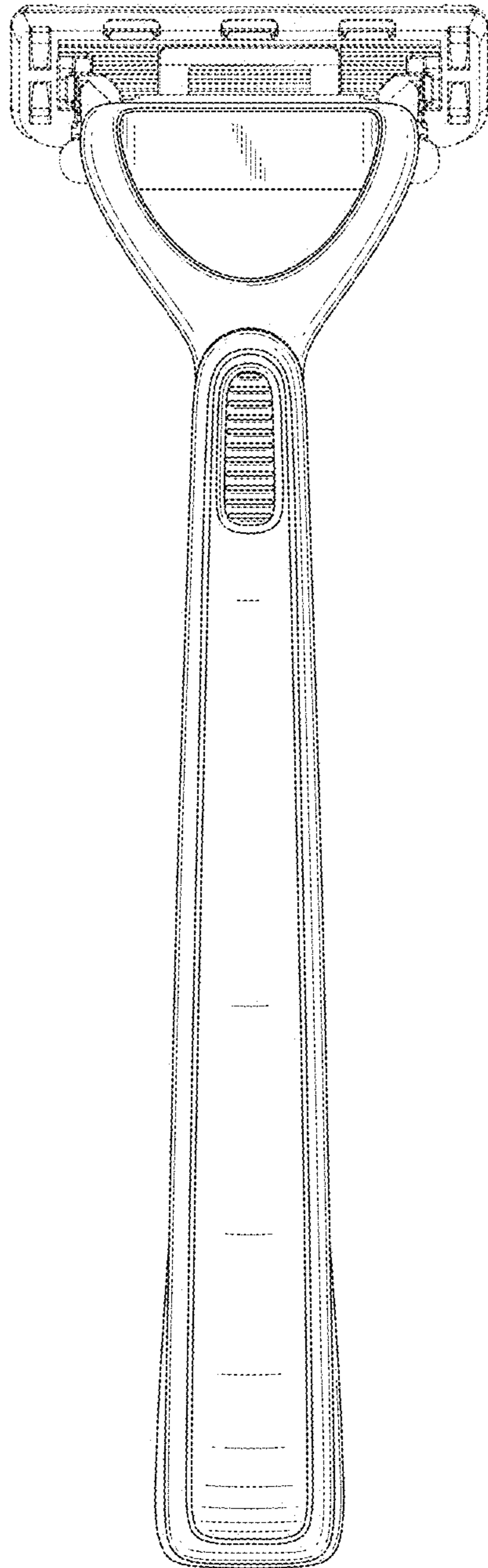


FIG. 6

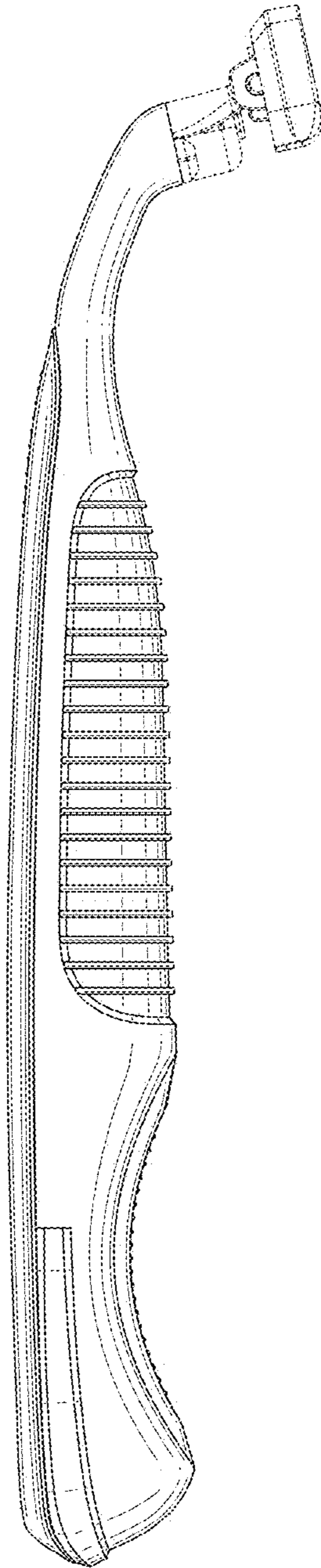


FIG. 7

