



US00D729446S

(12) **United States Design Patent**
Babel

(10) **Patent No.:** **US D729,446 S**

(45) **Date of Patent:** **** May 12, 2015**

(54) **COSMETIC APPLICATOR**

(71) Applicant: **Schwan-STABILO Cosmetics GmbH & Co. KG**, Heroldsberg (DE)

(72) Inventor: **Guenter Babel**, Munich (DE)

(73) Assignee: **Schwan-STABILO Cosmetics GmbH & Co. KG**, Heroldsberg (DE)

(**) Term: **14 Years**

(21) Appl. No.: **29/483,532**

(22) Filed: **Feb. 28, 2014**

(30) **Foreign Application Priority Data**

Sep. 9, 2013 (EM) 002304782-0001

(51) **LOC (10) Cl.** **28-03**

(52) **U.S. Cl.**

USPC **D28/7**

(58) **Field of Classification Search**

CPC . A45D 34/002; A45D 34/005; A45D 34/007;
A45D 34/04; A45D 34/041; A45D 34/042;
A45D 34/043; A45D 34/045; A45D 34/046;
A45D 34/047; A45D 34/048; A45D 34/06
USPC D28/7, 8, 20-22, 30-31, 76, 85, 99;
132/108, 202, 208; 401/202-207,
401/261-267; D4/132-135; D24/119;
D7/694

See application file for complete search history.

(56) **References Cited**

U.S. PATENT DOCUMENTS

D335,706 S *	5/1993	Mohajer	D24/119
D423,100 S *	4/2000	Maissami	D24/152
D433,912 S *	11/2000	Kellander et al.	D8/98
D448,611 S *	10/2001	Ancona et al.	D7/395
D462,444 S *	9/2002	Maissami	D24/152
D667,165 S *	9/2012	Strube	D28/7
D667,166 S *	9/2012	Strube	D28/7

* cited by examiner

Primary Examiner — Zenia Bennett

(74) *Attorney, Agent, or Firm* — Jura C. Zibas; Gregory N. Brescia; Wilson, Elser, Moskowitz, Edelman & Dicker, LLP.

(57) **CLAIM**

An ornamental design for a cosmetic applicator, as shown and described.

DESCRIPTION

FIG. 1 is a perspective view of a cosmetic applicator showing the new design;

FIG. 2 is a side view of the cosmetic applicator shown in FIG. 1, the opposite side being a mirror image thereof;

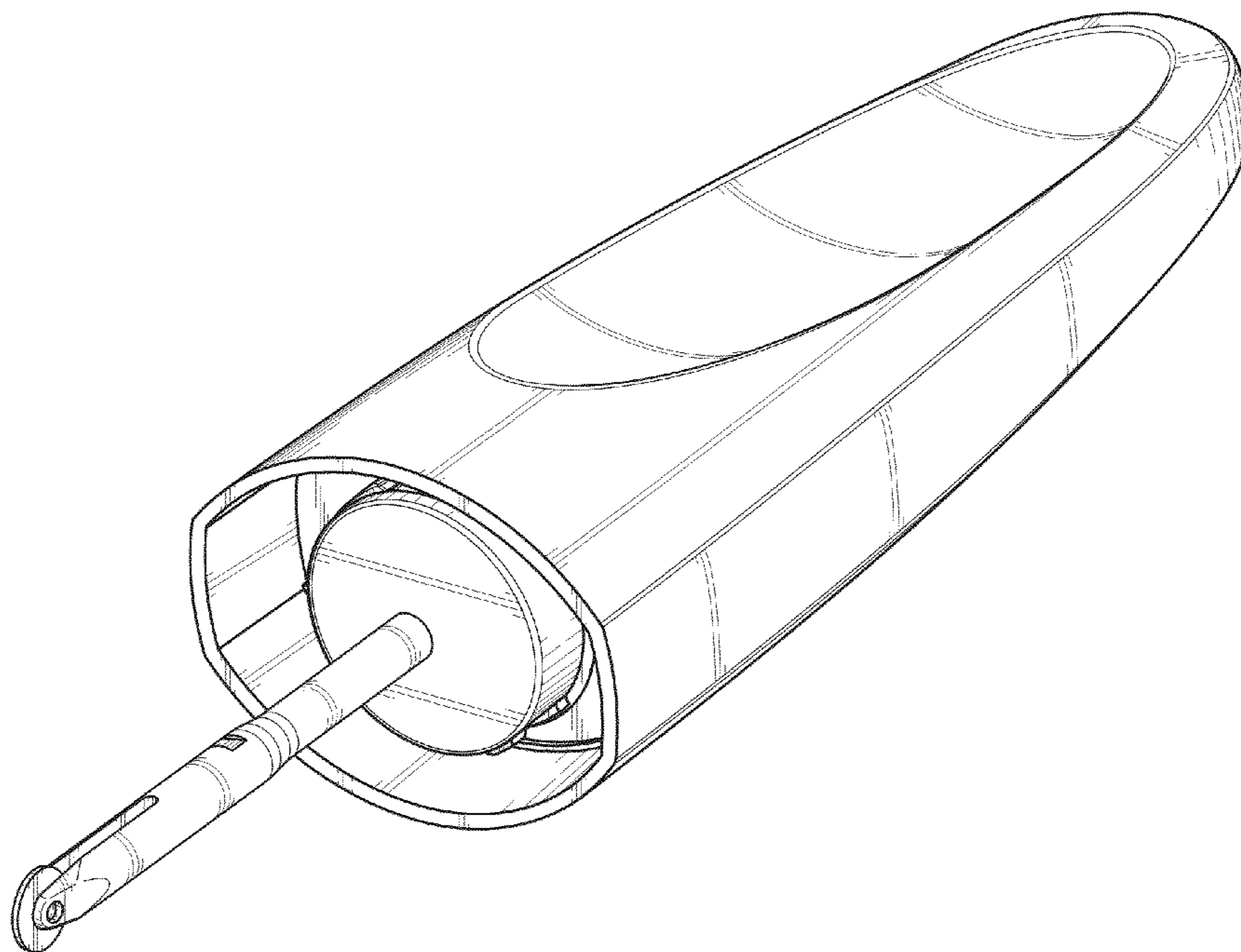
FIG. 3 a front view for the cosmetic applicator shown in FIG. 1, the opposite side being a mirror image thereof;

FIG. 4 is a top view for the cosmetic applicator shown in FIG. 1; and,

FIG. 5 is a bottom view for the cosmetic applicator shown in FIG. 1.

The broken lines in the drawings of the cosmetic wiper are for showing portions of the article and form no part of the claimed design.

1 Claim, 4 Drawing Sheets



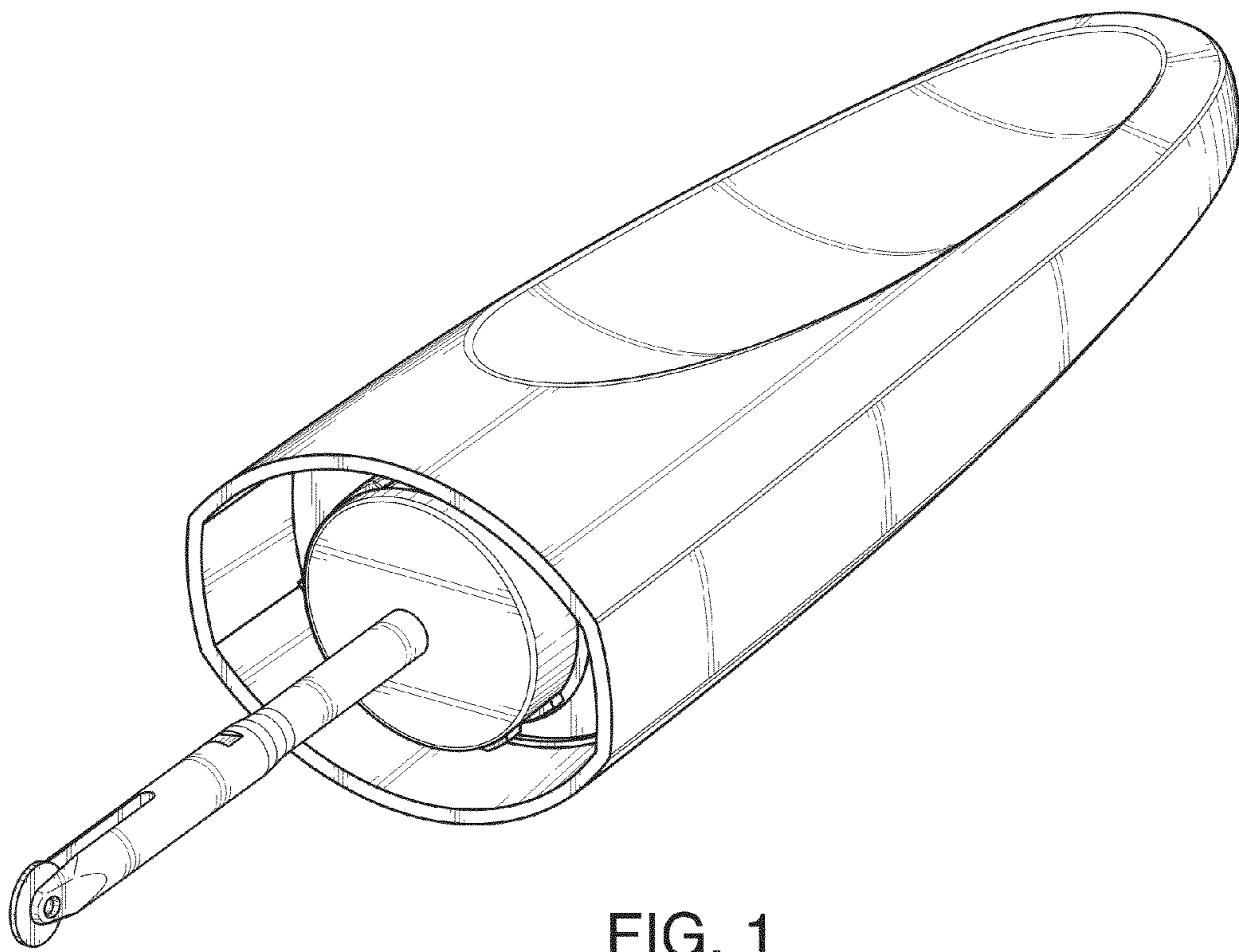


FIG. 1

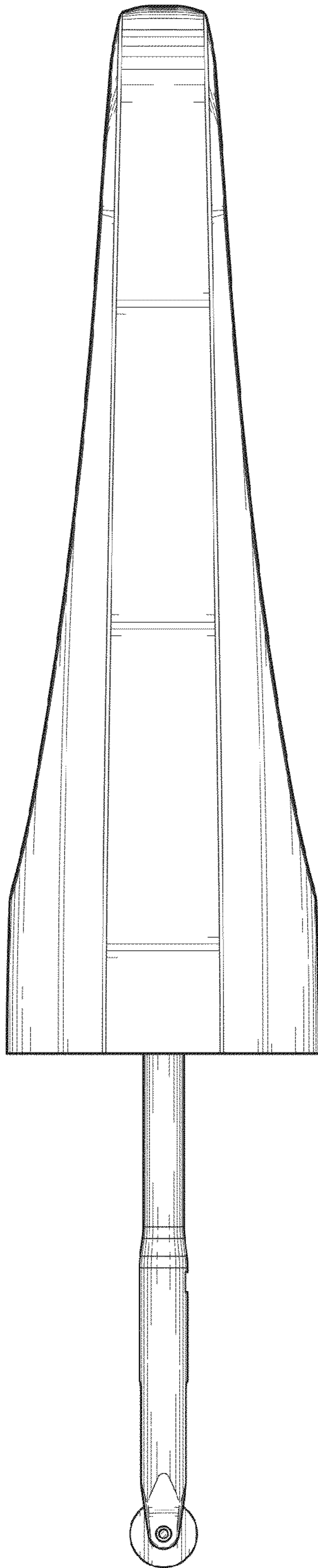


FIG. 2

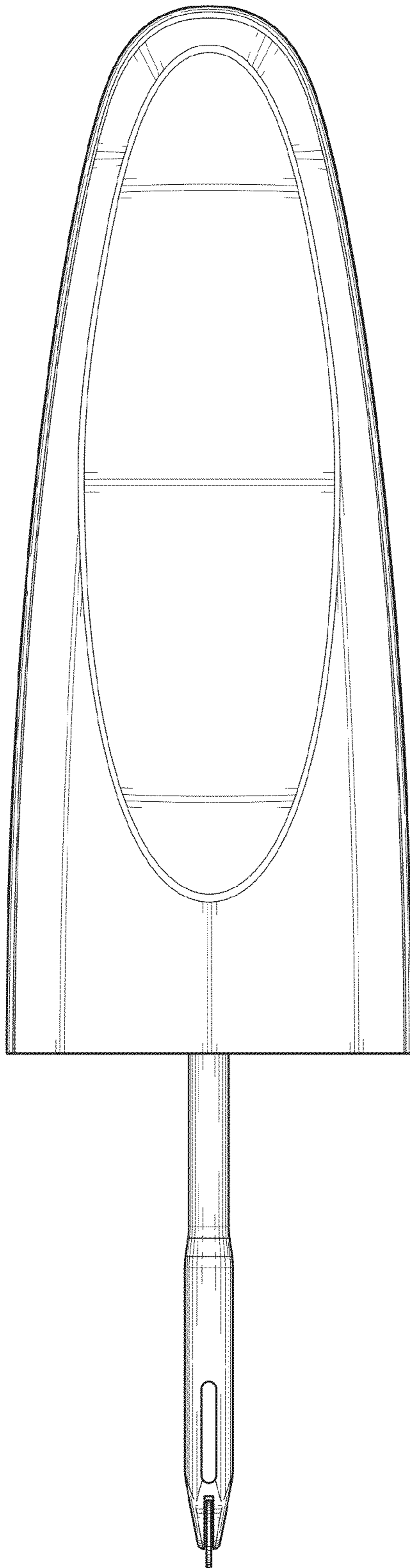


FIG. 3

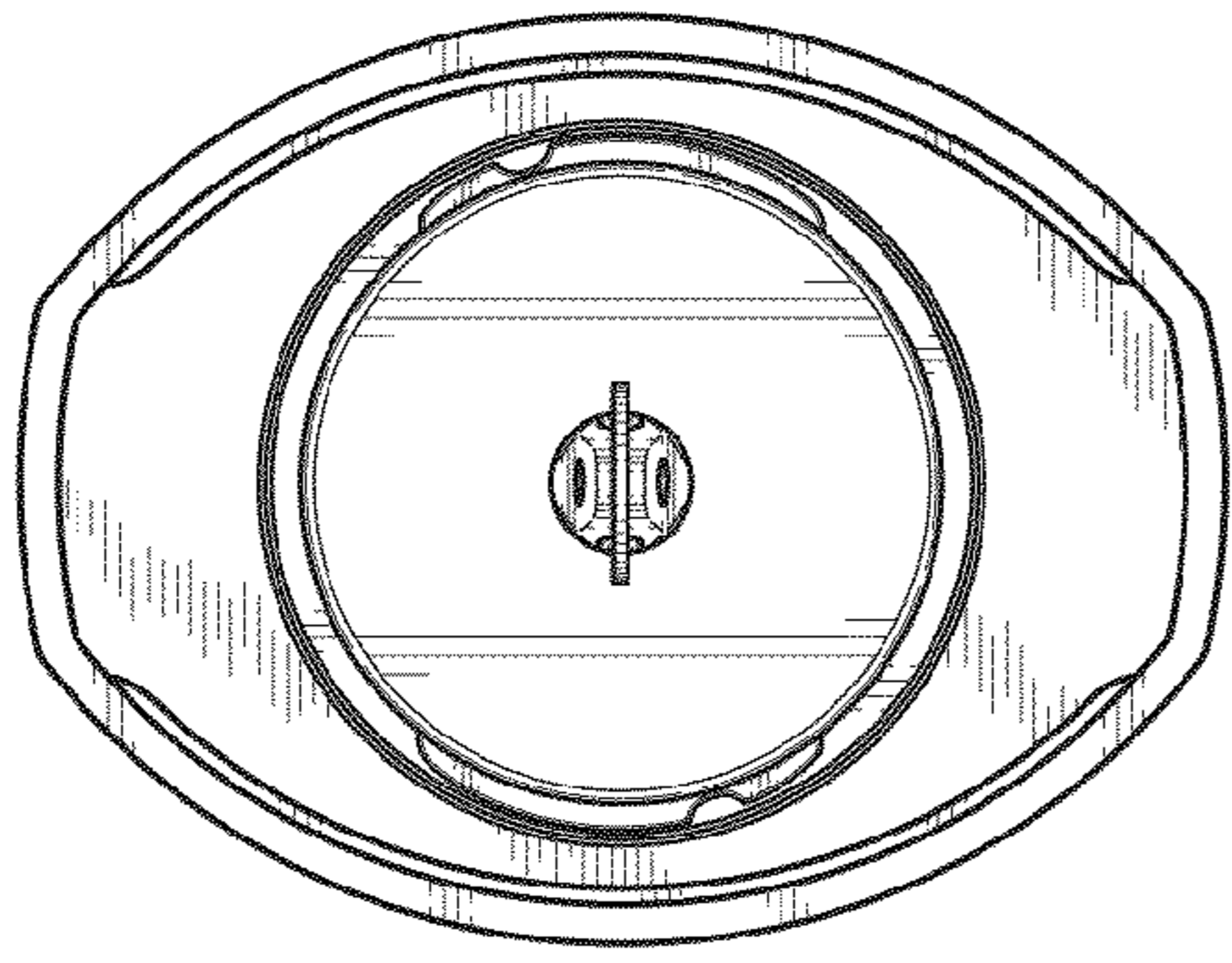


FIG. 4

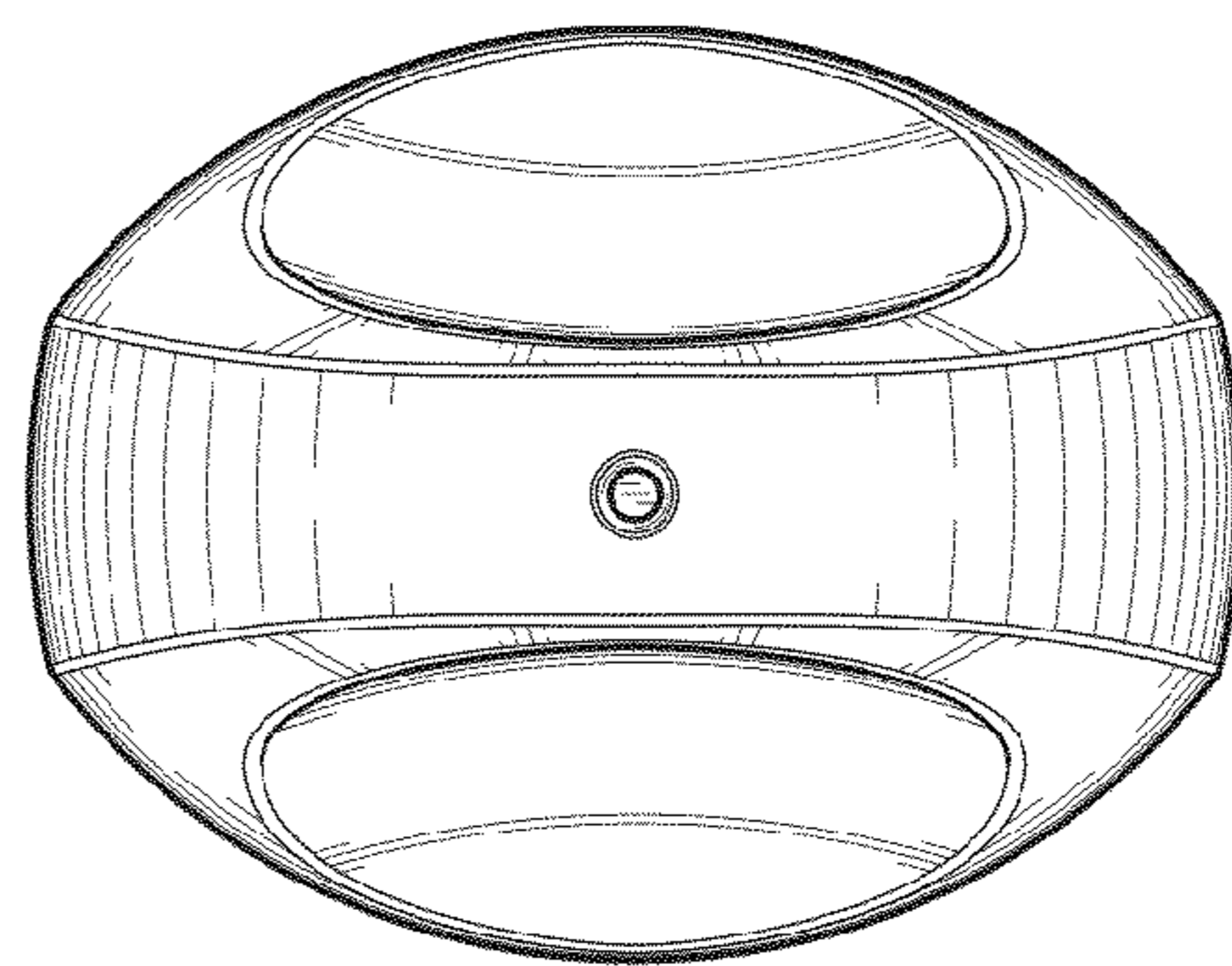


FIG. 5