



US00D729442S

(12) **United States Design Patent**
Albers

(10) **Patent No.:** **US D729,442 S**

(45) **Date of Patent:** **** May 12, 2015**

(54) **LIGHTER SLEEVE WITH TAMPER AND POKER**

(71) Applicant: **Luft Industrie Inc.**, Oakland, CA (US)

(72) Inventor: **Oliver Albers**, Oakland, CA (US)

(73) Assignee: **Luft Industrie, Inc.**, Oakland, CA (US)

(**) Term: **14 Years**

(21) Appl. No.: **29/452,168**

(22) Filed: **Apr. 12, 2013**

(51) **LOC (10) Cl.** **27-05**

(52) **U.S. Cl.**
USPC **D27/161**

(58) **Field of Classification Search**

USPC D27/141, 144, 154, 156, 158, 160, 161,
D27/172, 175, 183, 184, 186, 187, 188, 189,
D27/190, 191, 193, 195, 196; D14/217,
D14/251, 253, 432, 434; 431/129, 143, 153,
431/253, 273; 206/121, 236, 242, 259,
206/261-270; D9/529; D8/105

See application file for complete search history.

(56) **References Cited**

U.S. PATENT DOCUMENTS

589,921	A *	9/1897	Ashworth	206/121
3,263,690	A	8/1966	Buckley		
D283,734	S *	5/1986	Parren	D27/153
D351,043	S *	9/1994	Parker et al.	D27/154
D372,333	S	7/1996	Pearson		
D399,671	S *	10/1998	Arvans	D6/462
D413,003	S *	8/1999	Mehdikhazaneh	D27/172
D471,316	S *	3/2003	Budde	D27/161
D472,341	S *	3/2003	Cohen Harel	D27/141
D488,690	S *	4/2004	Haas et al.	D8/34

D527,488	S *	8/2006	Hung	D27/161
D636,119	S *	4/2011	Worlock	D27/161
D637,042	S *	5/2011	Chen	D7/600.1
8,291,917	B2	10/2012	Sweeney		
2009/0145448	A1 *	6/2009	Worlock et al.	131/185

* cited by examiner

Primary Examiner — Barbara Fox

Assistant Examiner — Chelsea Sealey

(74) *Attorney, Agent, or Firm* — Onello & Mello, LLP

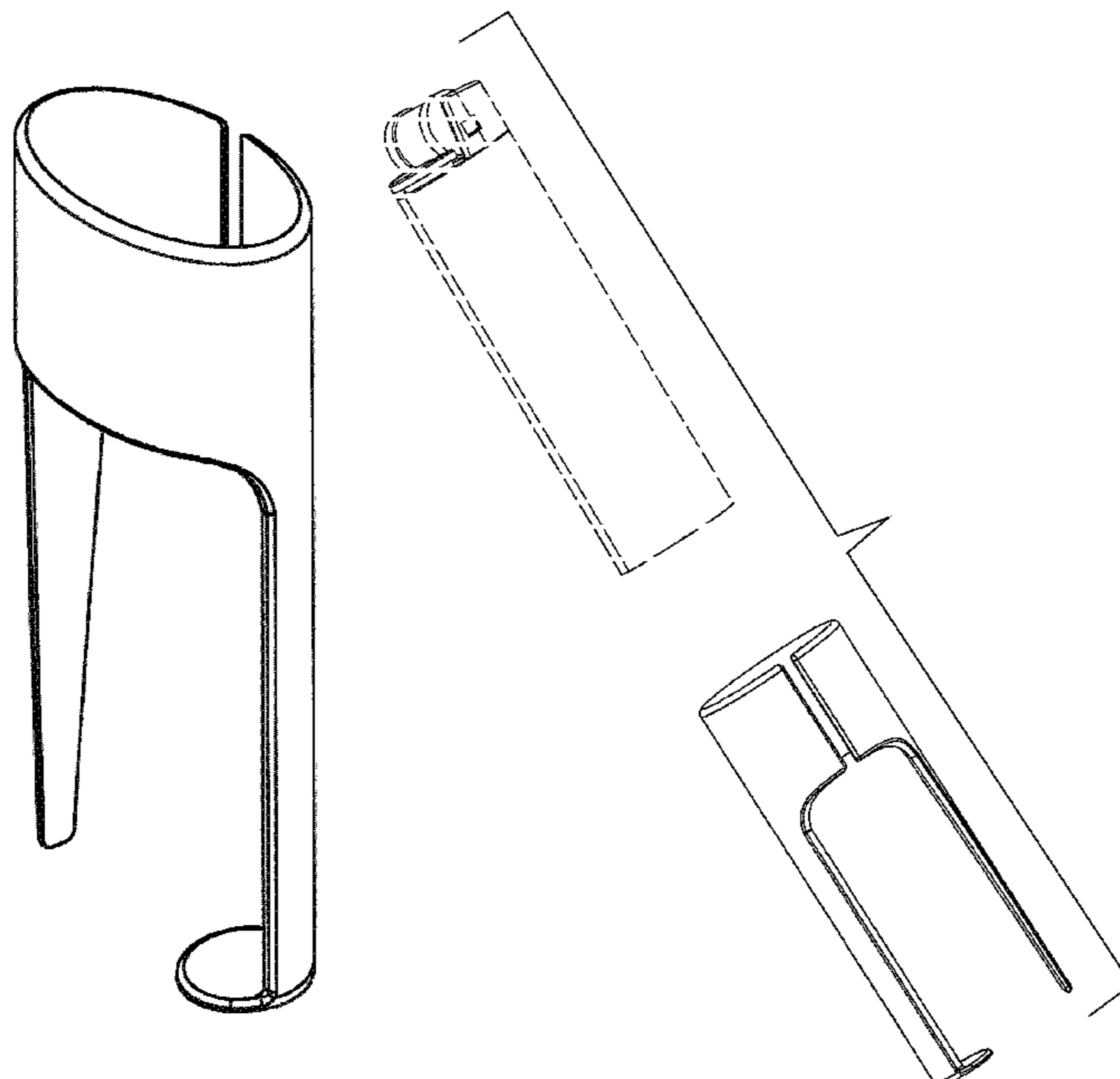
(57) **CLAIM**

The ornamental design for a lighter sleeve with tamper and poker, as shown and described.

DESCRIPTION

FIG. 1 is an isometric view of a lighter sleeve with tamper and poker, in accordance with the present invention;
FIG. 2 is a front view of the lighter sleeve with tamper and poker of FIG. 1;
FIG. 3 is a right side view of the lighter sleeve with tamper and poker of FIG. 1;
FIG. 4 is a bottom view of the lighter sleeve with tamper and poker of FIG. 1;
FIG. 5 is a rear view of the lighter sleeve with tamper and poker of FIG. 1;
FIG. 6 is a left side view of the lighter sleeve with tamper and poker of FIG. 1;
FIG. 7 is a top view of the lighter sleeve with tamper and poker of FIG. 1; and,
FIG. 8 is a perspective view of the lighter sleeve with tamper and poker of FIG. 1 and a lighter that can be inserted therein.
In the drawings, the broken lines illustrate environment and form no part of the claimed design.

1 Claim, 4 Drawing Sheets



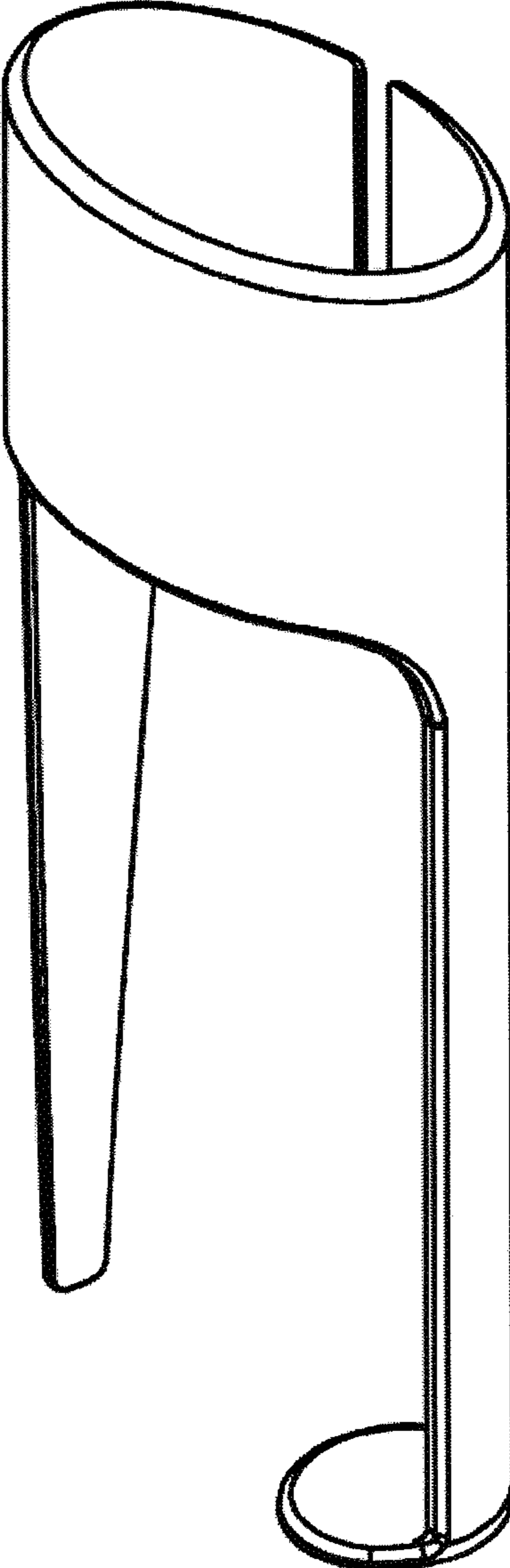


FIG. 1

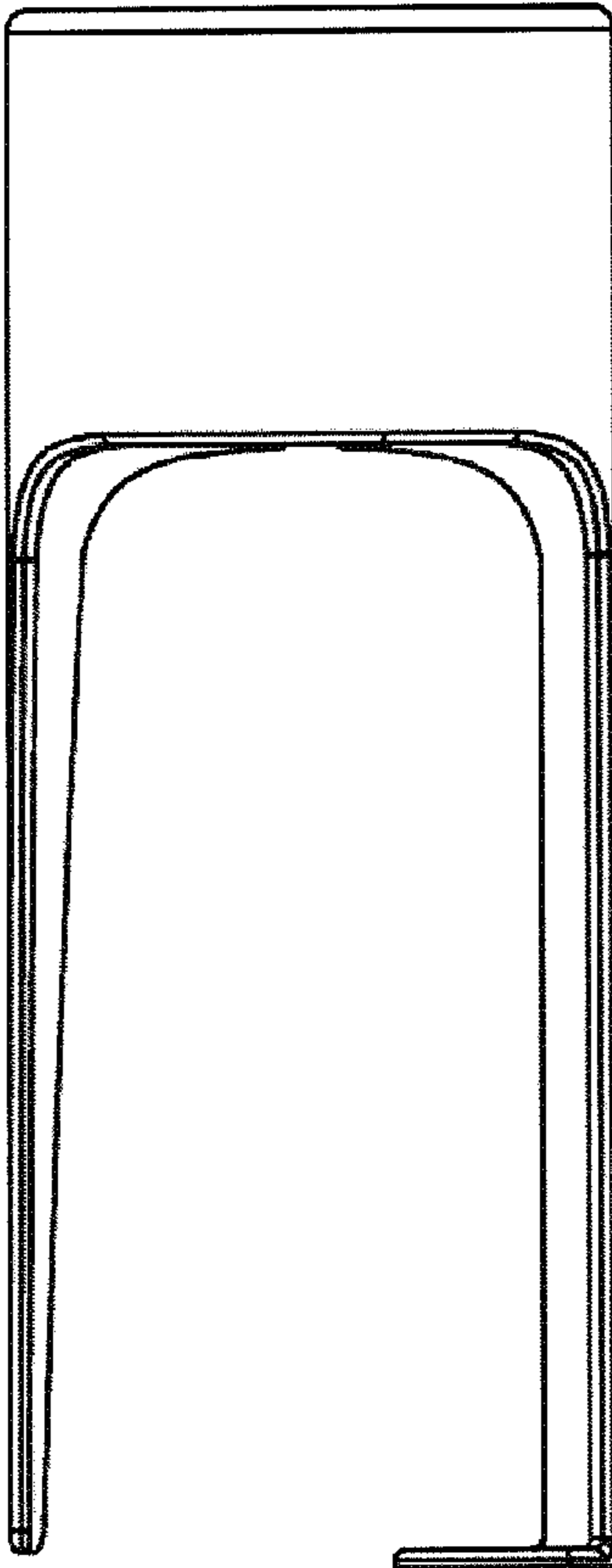


FIG. 2

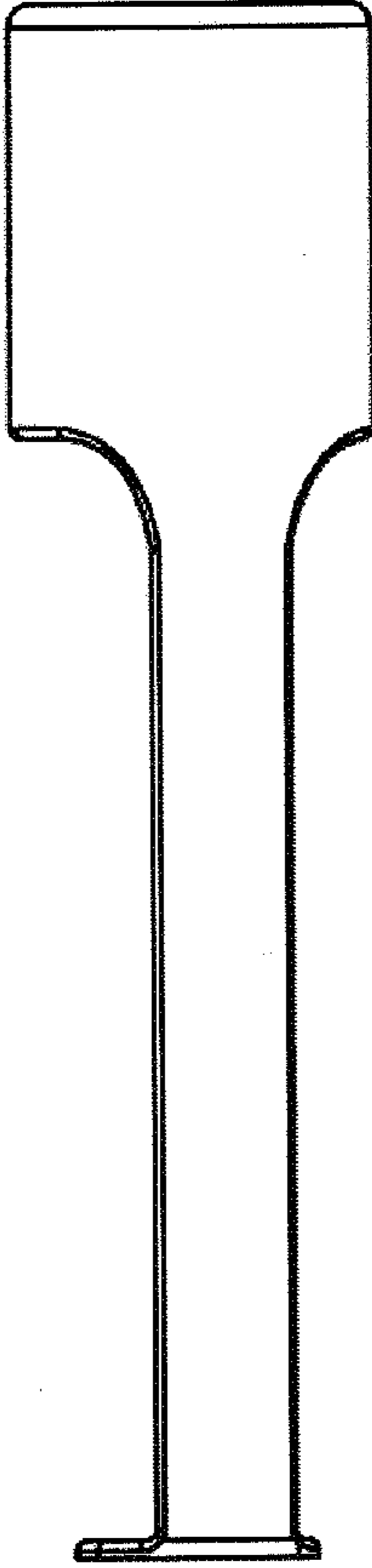


FIG. 3

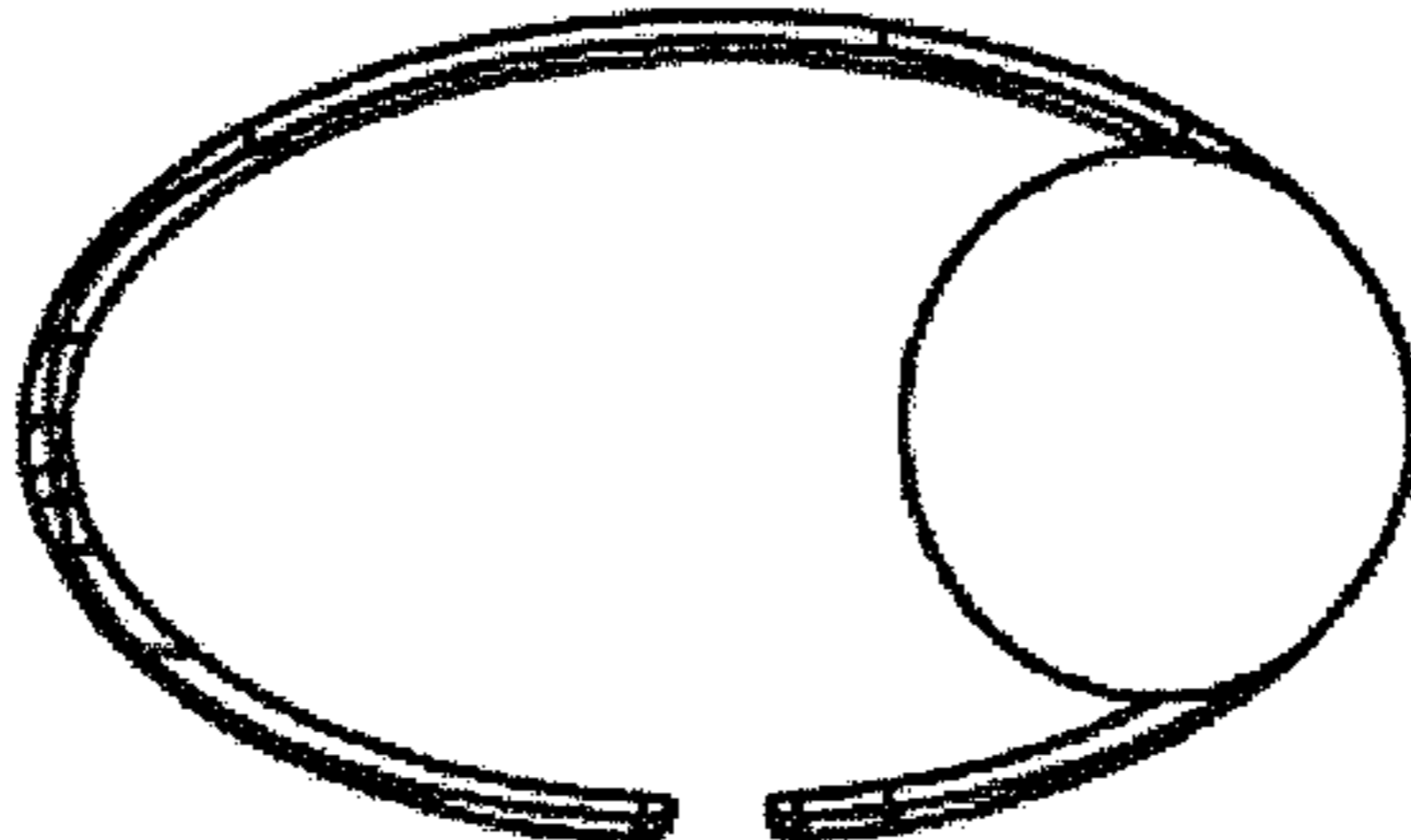


FIG. 4

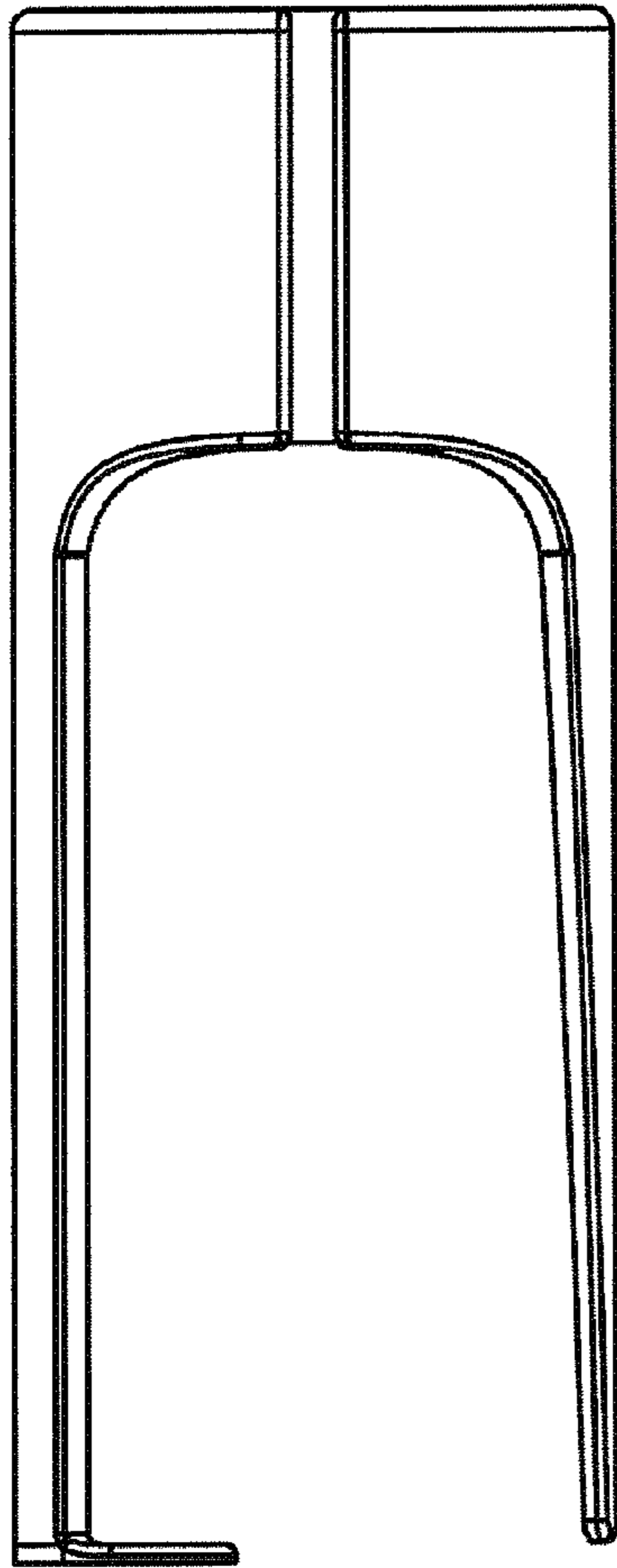


FIG. 5

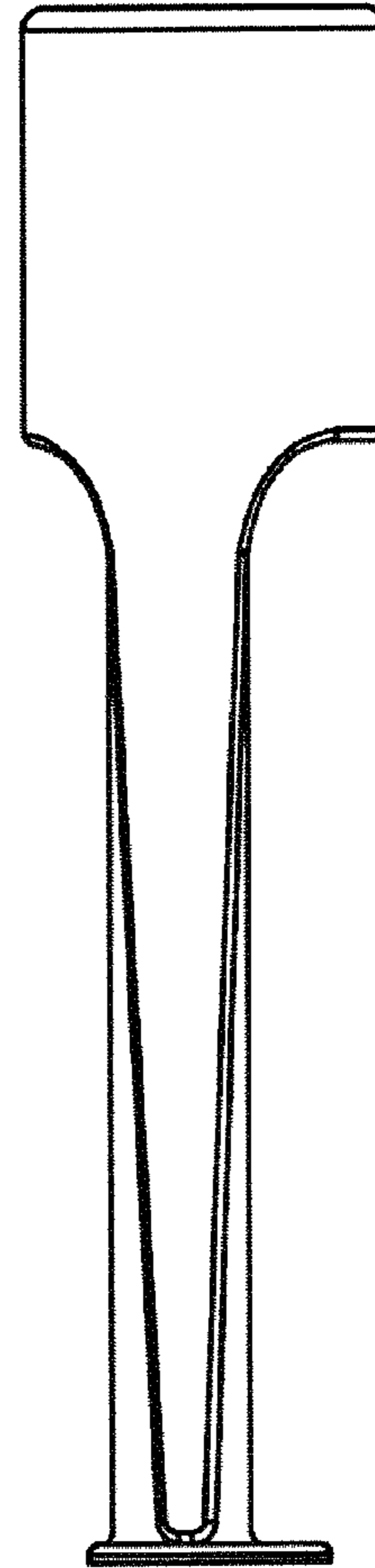
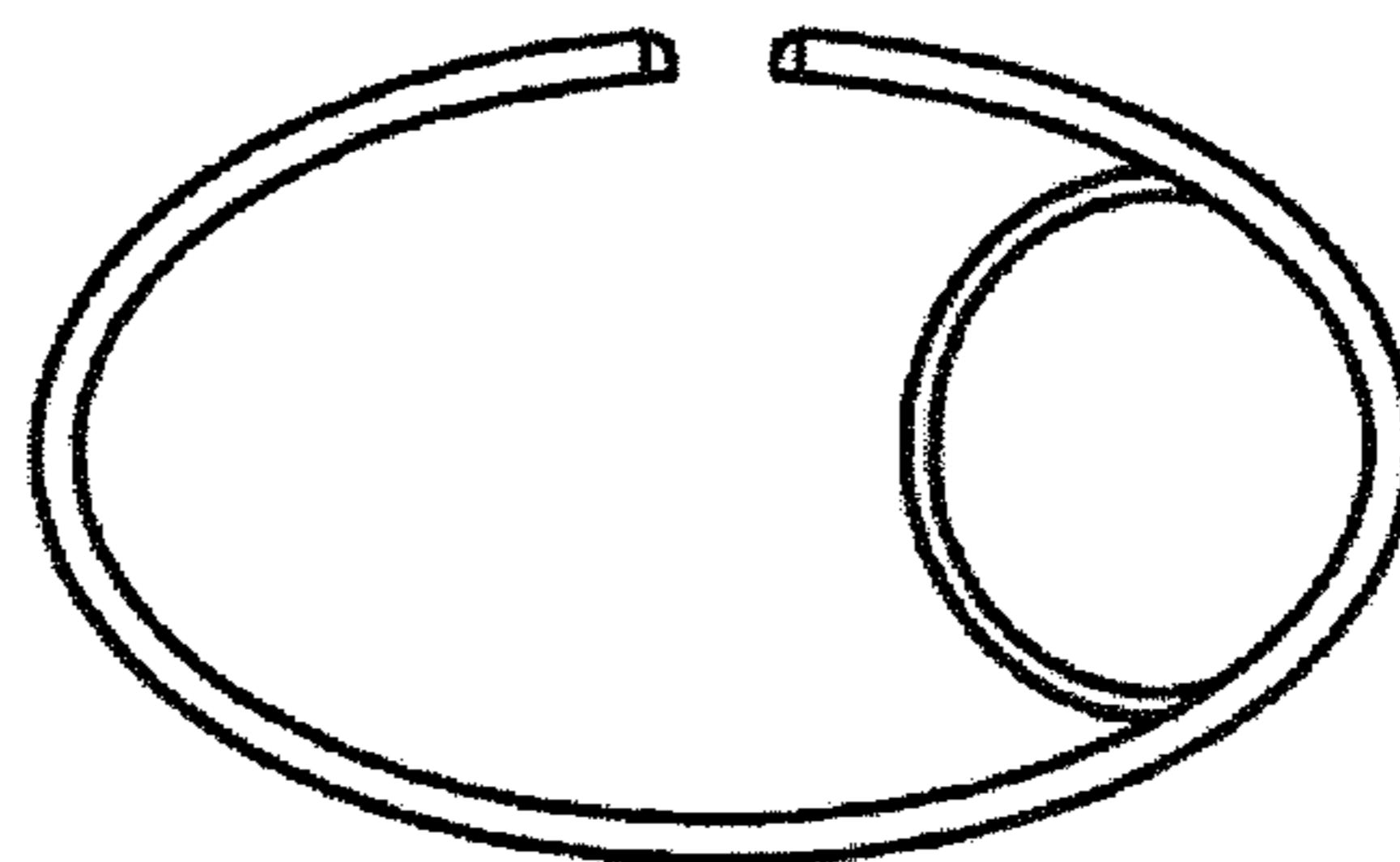


FIG. 6

FIG. 7



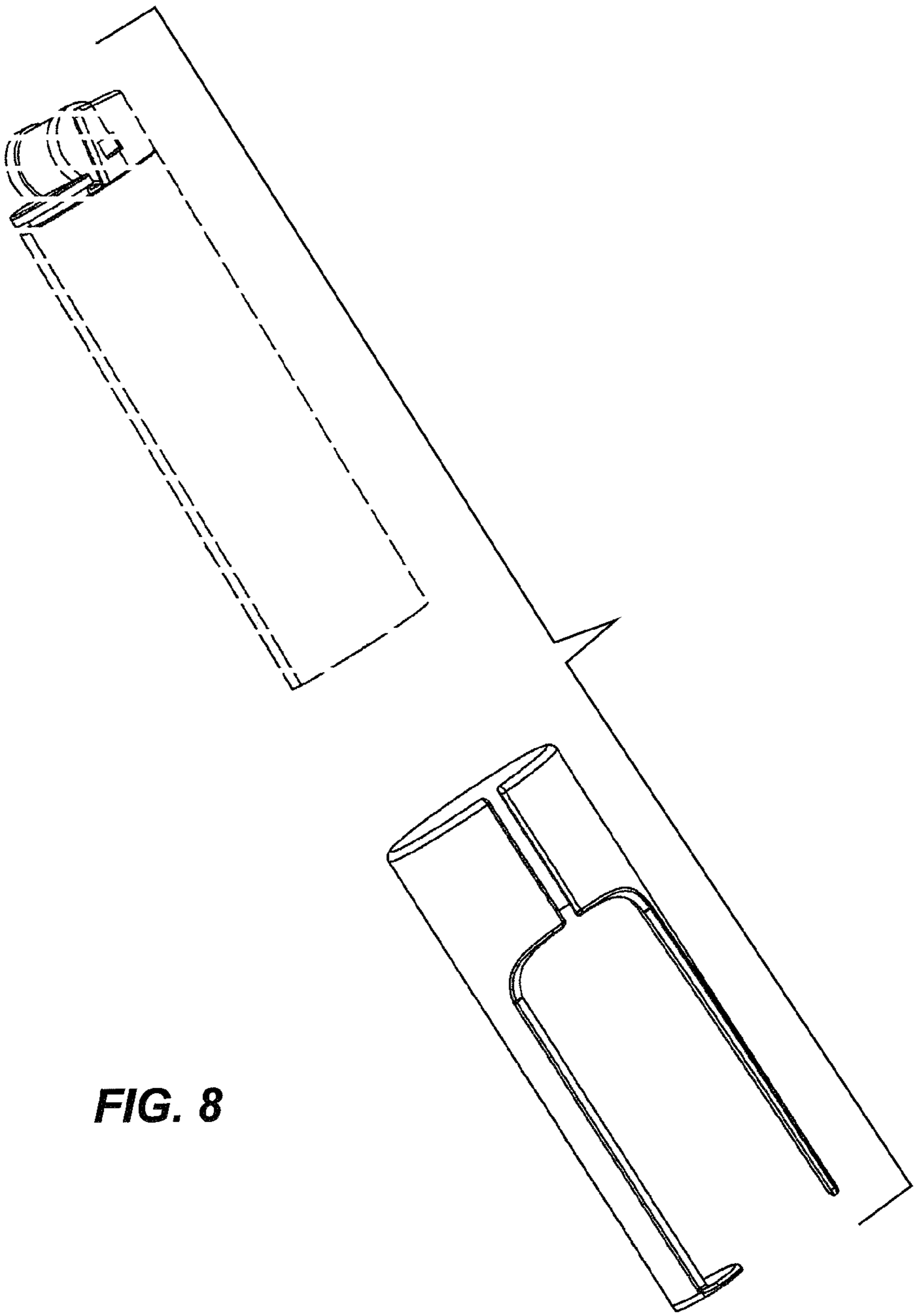


FIG. 8