



US00D729435S

(12) **United States Design Patent**
Arndt et al.

(10) **Patent No.:** **US D729,435 S**
(45) **Date of Patent:** **** May 12, 2015**

(54) **LIGHTING UNIT**

(71) Applicant: **Oldenburg Group Incorporated**,
Glendale, WI (US)

(72) Inventors: **Michael Allan Arndt**, Franklin, WI
(US); **Christopher M. Glandt**,
Shorewood, WI (US); **Jimalee Rae**
Beno, Fond du Lac, WI (US)

(73) Assignee: **Oldenburg Group Incorporated**,
Glendale, WI (US)

(**) Term: **14 Years**

(21) Appl. No.: **29/490,585**

(22) Filed: **May 12, 2014**

Related U.S. Application Data

(63) Continuation of application No. 29/409,115, filed on
Dec. 20, 2011, now abandoned.

(51) **LOC (10) Cl.** **26-99**

(52) **U.S. Cl.**
USPC **D26/118**

(58) **Field of Classification Search**

USPC D26/58, 67, 72, 74, 76, 88, 113,
D26/118-120, 141; 362/145, 147, 148, 216,
362/217.01, 217.02, 217.05-217.12, 217.1,
362/317, 341, 347, 351, 355, 361, 362,
362/640-642; D25/136, 137

See application file for complete search history.

(56) **References Cited**

U.S. PATENT DOCUMENTS

D31,763 S * 10/1899 Locke D25/109
D118,749 S * 1/1940 Zimmerman D26/120
D140,343 S * 2/1945 Nitardy D26/76
D208,099 S * 7/1967 Arrigoni D26/120
D243,338 S * 2/1977 England D26/122

D286,206 S * 10/1986 Joosten et al. D26/85
D306,772 S * 3/1990 De'Armond D26/76
D397,479 S * 8/1998 Compton et al. D26/76

(Continued)

OTHER PUBLICATIONS

Unity model, Inside and Out Visa Lighting Catalog, revised Aug. 1,
2013, online. Site visited Feb. 5, 2015. Internet URL:<"http://www.
nxtbook.com/nxtbooks/visalighting/insideandout/#/196">.*

(Continued)

Primary Examiner — Cynthia Ramirez

Assistant Examiner — Llorellys Martinez-Rivera

(74) *Attorney, Agent, or Firm* — Reinhart Boerner Van
Deuren s.c.

(57) **CLAIM**

The ornamental design for a lighting unit, as shown and
described.

DESCRIPTION

FIG. 1 is an isometric view of a lighting unit, showing a first
embodiment of our new design;

FIG. 2 is a bottom view thereof;

FIG. 3 is a left side view thereof, the right side view being a
mirror image thereof;

FIG. 4 is a front view thereof;

FIG. 5 is a back view thereof;

FIG. 6 is a top view thereof;

FIG. 7 is an isometric view of a lighting unit, showing a
second embodiment of our new design;

FIG. 8 is a bottom view thereof;

FIG. 9 is a left side view thereof, the right side view being a
mirror image thereof;

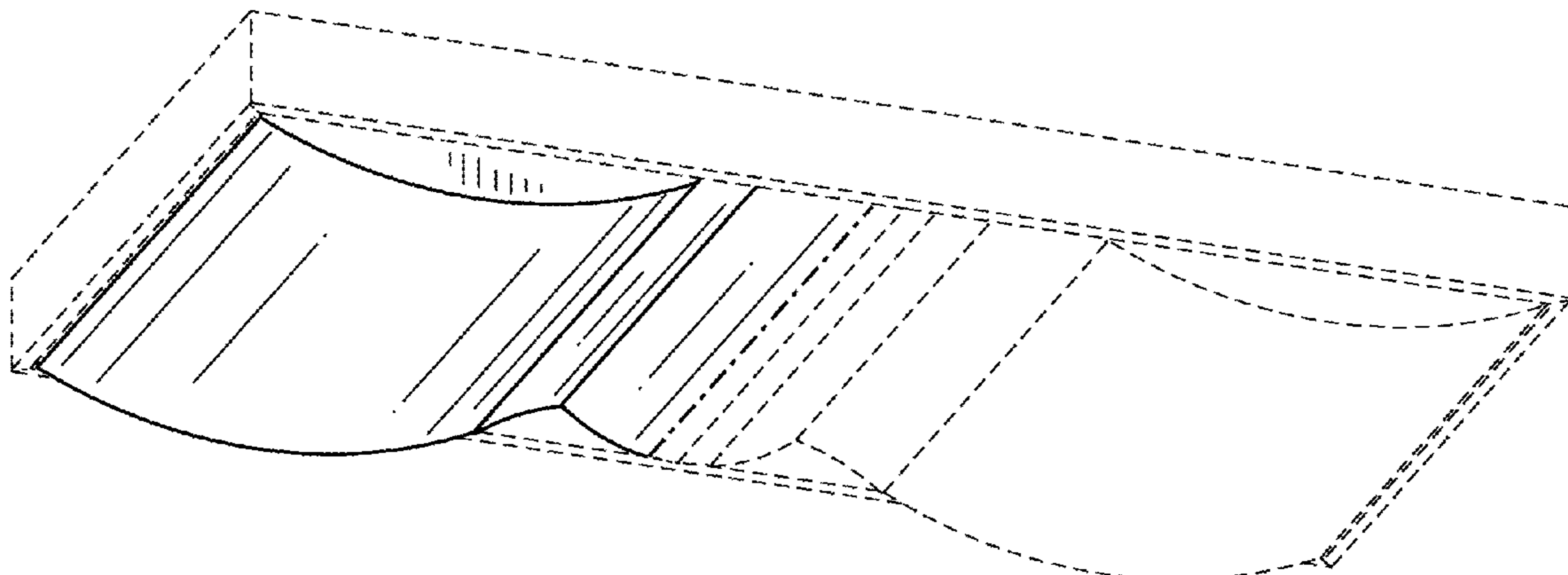
FIG. 10 is a front view thereof;

FIG. 11 is a back view thereof; and,

FIG. 12 is a top view thereof.

The dot-dash lines in FIGS. 1 and 2 define boundaries of the
claimed design and form no part of the claimed design. The
other broken lines in the drawings represent portions of the
lighting unit which form no part of the claimed design.

1 Claim, 5 Drawing Sheets



(56)

References Cited

U.S. PATENT DOCUMENTS

D399,329 S * 10/1998 Compton et al. D26/76
 D399,588 S * 10/1998 St. Ives D26/76
 D403,458 S * 12/1998 Walz D26/85
 D407,838 S * 4/1999 Compton D26/67
 D407,839 S 4/1999 Compton
 D409,325 S * 5/1999 Holder et al. D26/74
 D463,061 S * 9/2002 Ludwig D26/118
 D472,665 S 4/2003 Herst et al.
 D484,633 S * 12/2003 Campagna D26/72
 D514,731 S 2/2006 Engel
 D537,553 S 2/2007 Kotovsky et al.
 D541,467 S 4/2007 Gould
 D542,958 S * 5/2007 Lodhie et al. D26/67
 7,213,932 B1 5/2007 Savicki, Jr.
 D544,627 S 6/2007 Quintal
 D545,996 S 7/2007 Hargreaves
 D561,383 S * 2/2008 Hukle et al. D26/120
 D561,930 S * 2/2008 Hukle et al. D26/120
 D576,760 S 9/2008 Ottobre
 D595,447 S 6/2009 Purcell
 D596,343 S 7/2009 Boissevain
 D602,187 S * 10/2009 Fabbri et al. D26/74
 D602,188 S * 10/2009 Fabbri et al. D26/74
 D603,999 S 11/2009 Fowler et al.
 D604,000 S 11/2009 Fowler et al.
 D604,001 S 11/2009 Thun
 D618,839 S 6/2010 Ngai et al.
 7,950,833 B1 * 5/2011 Crane et al. 362/404
 D646,425 S * 10/2011 Crosby D26/85
 D649,282 S 11/2011 McDonald et al.
 D650,114 S * 12/2011 Rudek et al. D26/118
 D661,423 S * 6/2012 Ferguson et al. D26/120
 D662,251 S * 6/2012 Wauters D26/85
 D665,119 S * 8/2012 Bryant D26/122
 D666,326 S 8/2012 Sims
 D671,587 S 11/2012 Li

D677,818 S 3/2013 Steele et al.
 D679,444 S * 4/2013 Vasylyev D26/120
 D684,299 S * 6/2013 Liang et al. D26/118
 D685,943 S * 7/2013 Duquette et al. D26/74
 D686,772 S * 7/2013 Waltz et al. D26/118
 D691,762 S 10/2013 Sieczkowski
 D708,384 S * 7/2014 Arndt et al. D26/118
 2010/0277936 A1 11/2010 Liao
 2012/0120645 A1 * 5/2012 Hawkins et al. 362/217.05
 2012/0300471 A1 * 11/2012 Howe 362/330

OTHER PUBLICATIONS

Unity model, Inside and Out Visa Lighting Catalog, revised May 13, 2013, online. Site visited Feb. 5, 2015. Internet URL:<“http://www.nxtbook.com/nxtbooks/visalighting/insideandout/#/200”>.*
 Unity model, Visa Lighting Catalog, revised Oct. 25, 2011, online. Site visited Feb. 5, 2015. Internet URL:<“http://repnet.visalighting.com/specresources/catalog_page/unity%2006-07.pdf”>.*
 Visa Lighting’s Unity Over-Bed Fixture Part of IES 2010 Progress Report, published Jan. 12, 2011, online. Site visited: Feb. 5, 2015. Internet URL:<“http://www.visalighting.com/visa-lightings-unity-over-bed-fixture-part-ies-2010-progress-report”>.*
 U.S. Appl. No. 29/409,117, filed Dec. 20, 2011, Arndt et al.
 U.S. Appl. No. 29/483,823, filed Mar. 3, 2014, Arndt et al.
 U.S. Appl. No. 29/409,115, filed Mar. 17, 2014, Arndt et al.
 Medical Expo: The Online Medical Devices Exhibition website, Hill-Rom: Multi-function over-bed ceiling light, http://www.medicalexpo.com/prod/hill-rom/multi-function-over-bed-ceiling-lights-68741-442572.html, website believed to be publically available prior to Mar. 3, 2014, 29 pages.
 Healthcare-lighting.com: Tandem “Patient Room Ceiling Light” at http://www.healthcare-lighting.com/assets/brochures/2012-cut-sheets/ceiling/tandem.pdf, website believed to be publically available prior to Mar. 3, 2014, 2 pages.

* cited by examiner

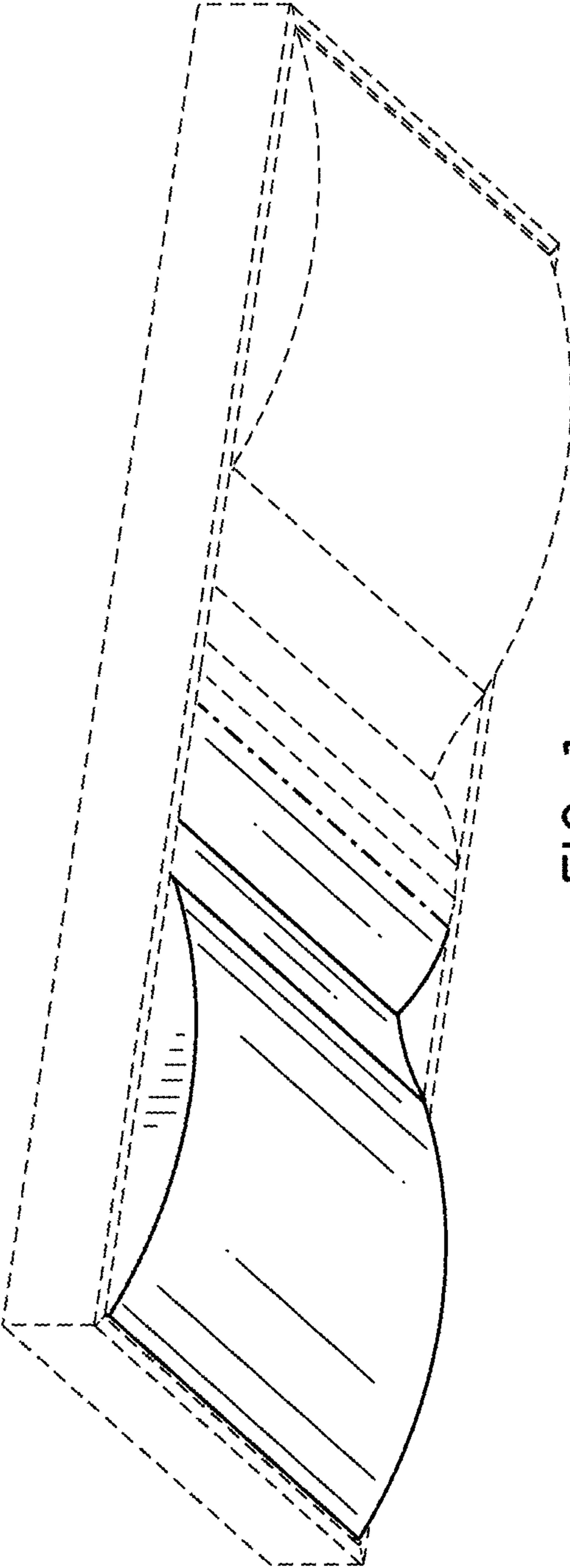


FIG. 1

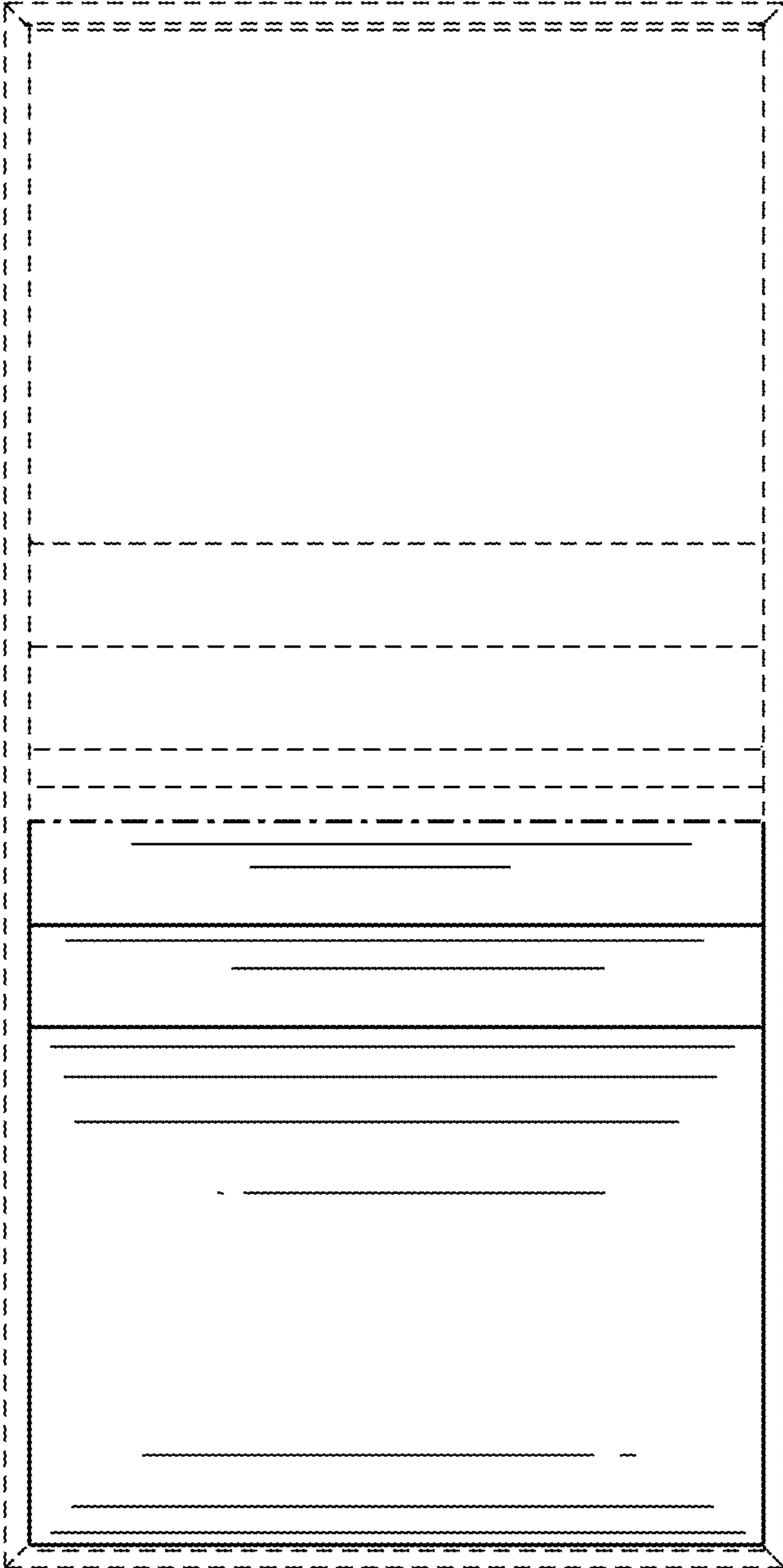


FIG. 2

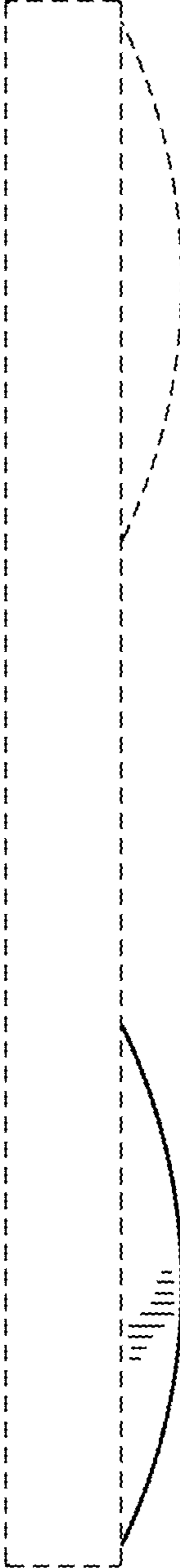


FIG. 3

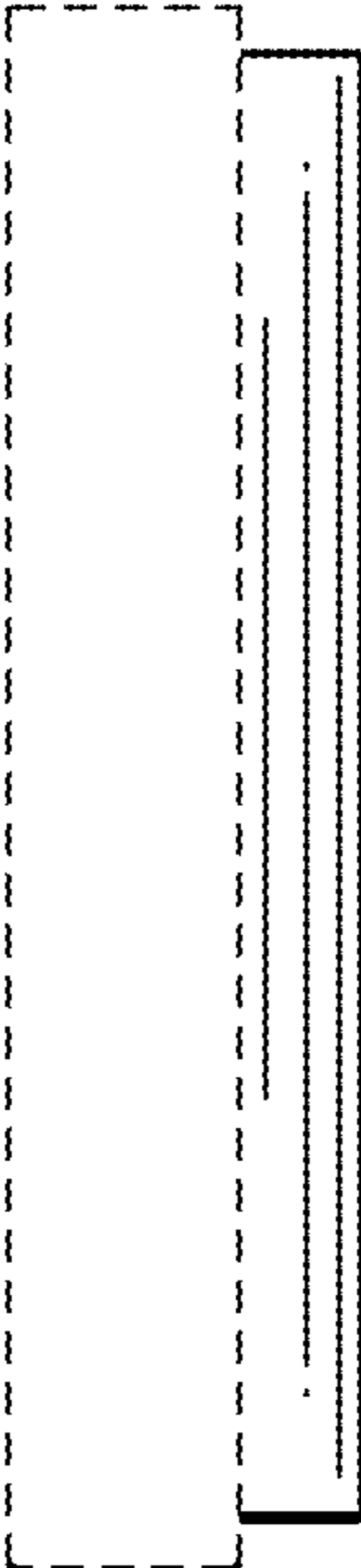


FIG. 4

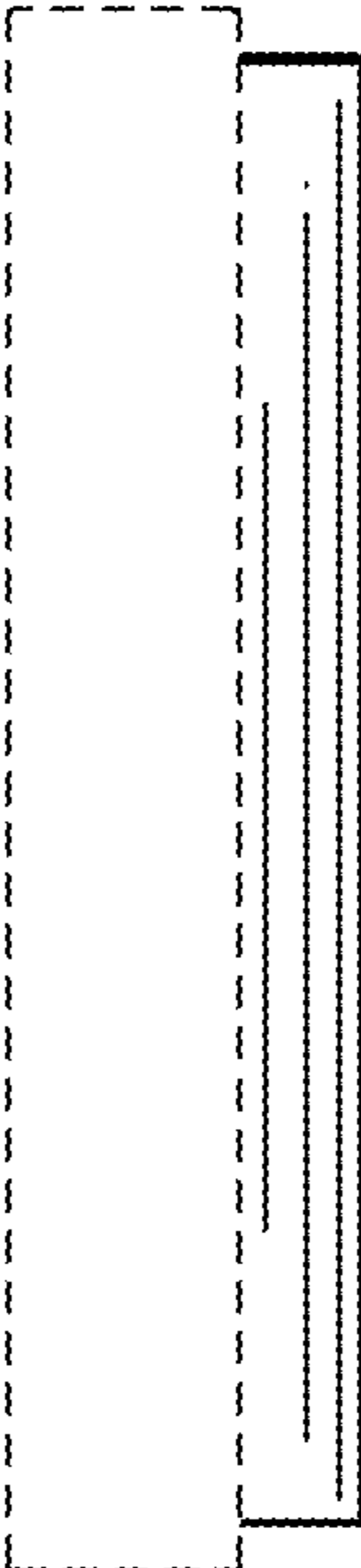


FIG. 5

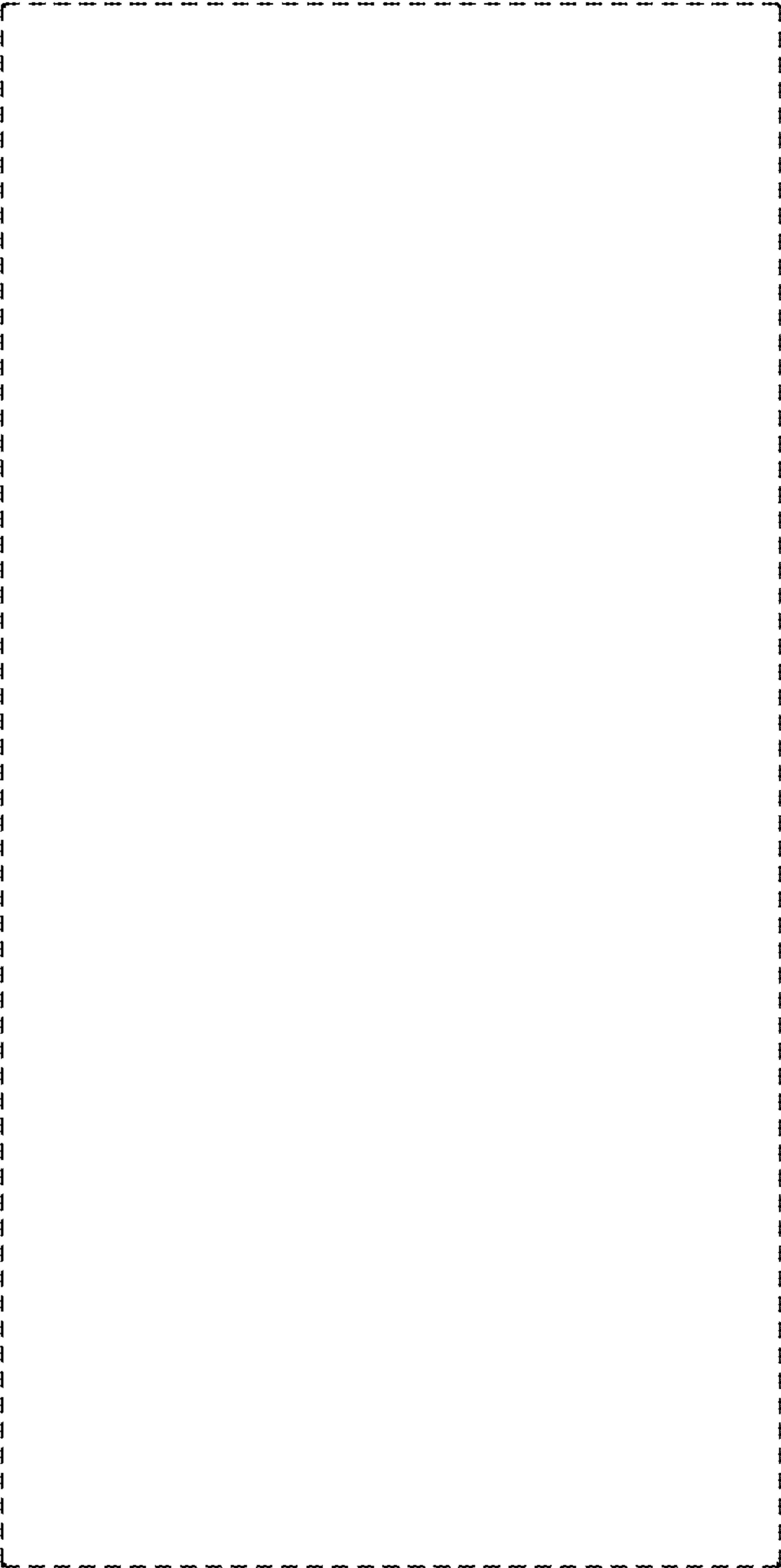


FIG. 6

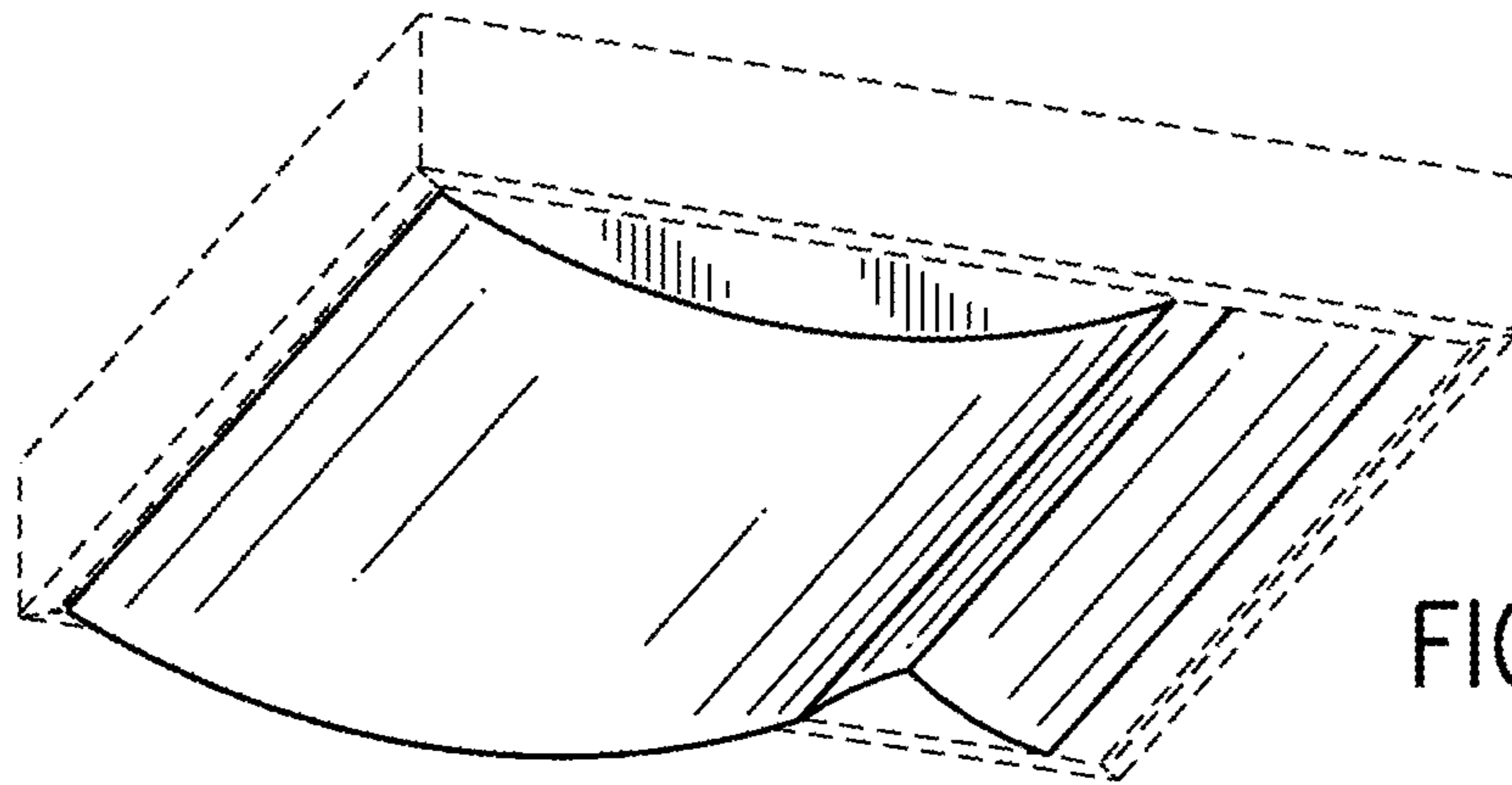


FIG. 7

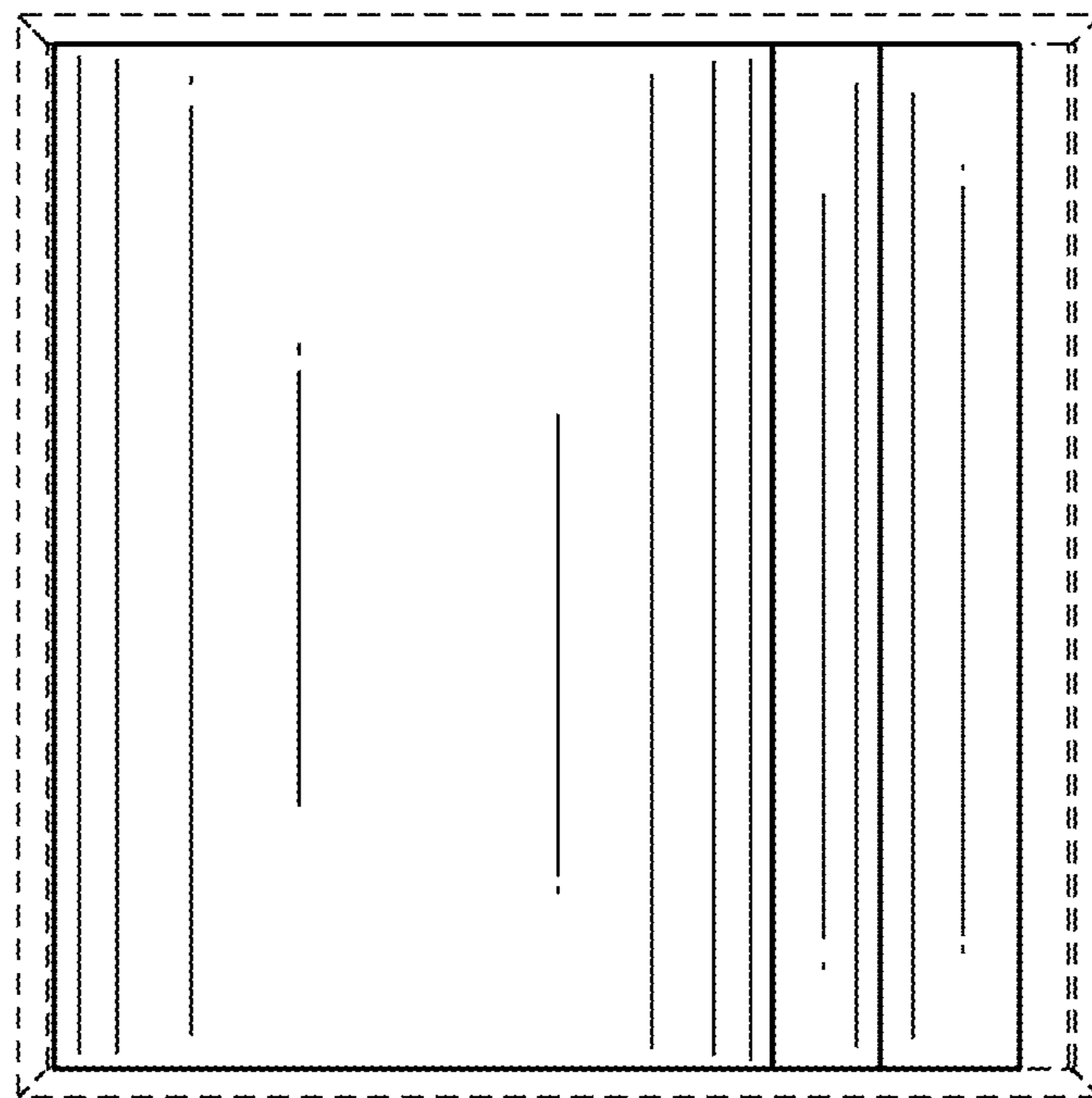


FIG. 8

FIG. 9

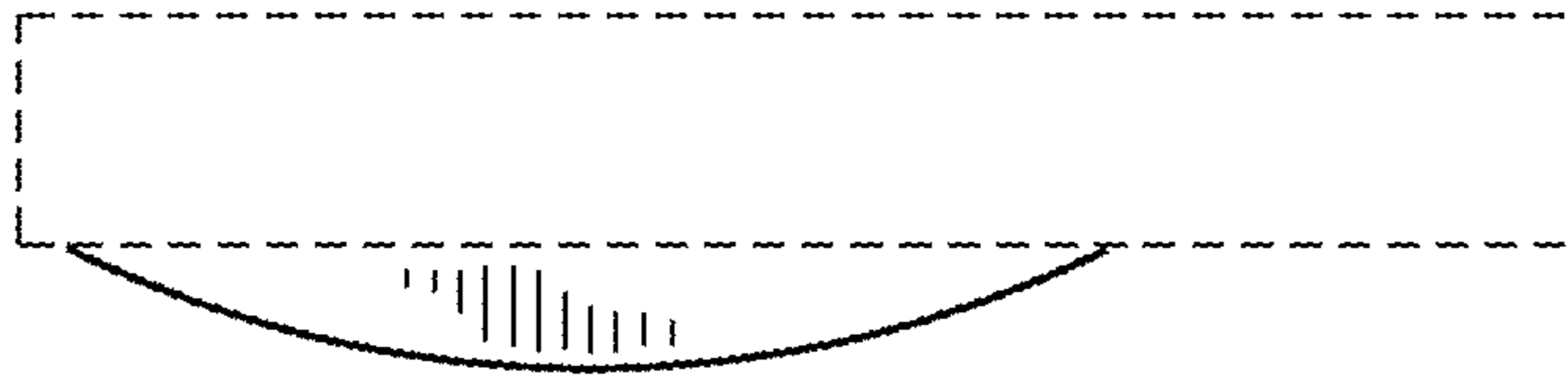


FIG. 10



FIG. 11



FIG. 12

