



US00D729434S

(12) **United States Design Patent**
Cugini et al.

(10) **Patent No.:** **US D729,434 S**

(45) **Date of Patent:** **** May 12, 2015**

(54) **LIGHT FIXTURE RECONFIGURABLE
BETWEEN AREA LIGHTING AND SPOT
LIGHTING CONFIGURATIONS**

D567,430 S * 4/2008 Kingston et al. D26/104
D611,646 S * 3/2010 Swanson D26/104
D654,616 S * 2/2012 Mechanic D26/110

* cited by examiner

(71) Applicant: **Foxfury, LLC**, Vista, CA (US)

Primary Examiner — Brian N Vinson

(72) Inventors: **Mario A. Cugini**, Vista, CA (US);
Ralph L. Giusti, Vista, CA (US)

(74) *Attorney, Agent, or Firm* — Palomar Patent; Calif Tervo

(**) Term: **14 Years**

(57) **CLAIM**

The ornamental design for a light fixture reconfigurable between area lighting and spot lighting configurations, as shown and described.

(21) Appl. No.: **29/443,304**

DESCRIPTION

(22) Filed: **Jan. 15, 2013**

FIG. 1 is a top, front, right side perspective view of the light fixture in an area lighting configuration; it being understood that the broken lines are for illustrative purposes only and form no part of the claimed design;

(51) **LOC (10) Cl.** **26-03**

(52) **U.S. Cl.**
USPC **D26/110**; D26/93

FIG. 2 is a front elevation view thereof.

(58) **Field of Classification Search**
USPC D26/1, 24, 67, 93-94, 104-112; 362/3,
362/153, 186, 217, 255, 257, 277, 317, 351,
362/353, 362, 363, 382, 431, 433, 458, 806
See application file for complete search history.

FIG. 3 is a top plan view of the light fixture of FIG. 1; the bottom plan view not being claimed.

(56) **References Cited**

U.S. PATENT DOCUMENTS

D148,222 S * 12/1947 Galehouse D26/110
D260,939 S * 9/1981 Zurcher D26/93
D291,012 S * 7/1987 Liljeqvist D26/104
D294,069 S * 2/1988 Morrison D26/93
D378,435 S * 3/1997 Trombley D26/110
D507,374 S * 7/2005 Chen D26/104
D512,175 S * 11/2005 Santachiara D26/108

FIG. 4 is a left side elevation view of the light fixture of FIG. 1, the right side elevation view being a mirror image.

FIG. 5 is a back elevation view thereof.

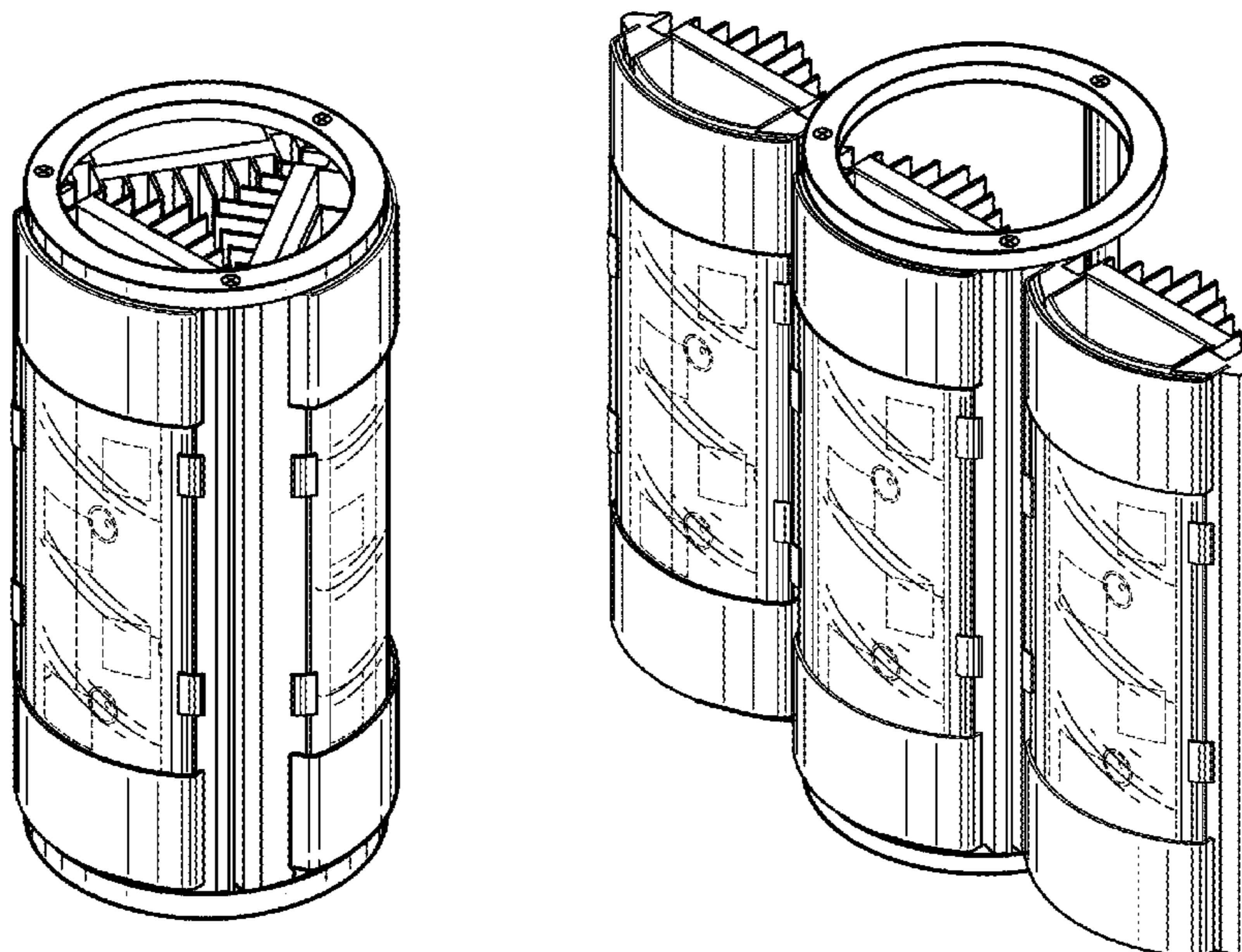
FIG. 6 is a top, front, right side perspective view of the light fixture in a spot lighting configuration; it being understood that said FIG. 6 is shown in an alternate, spot lighting configuration for clarity of disclosure.

FIG. 7 is a front elevation view of the light fixture of FIG. 6.
FIG. 8 is a top plan view of the light fixture of FIG. 6; the bottom plan view not being claimed.

FIG. 9 is a left side elevation view of the light fixture of FIG. 6, the right side elevation view being a mirror image; and,

FIG. 10 is a back elevation view of the light fixture of FIG. 6.

1 Claim, 4 Drawing Sheets



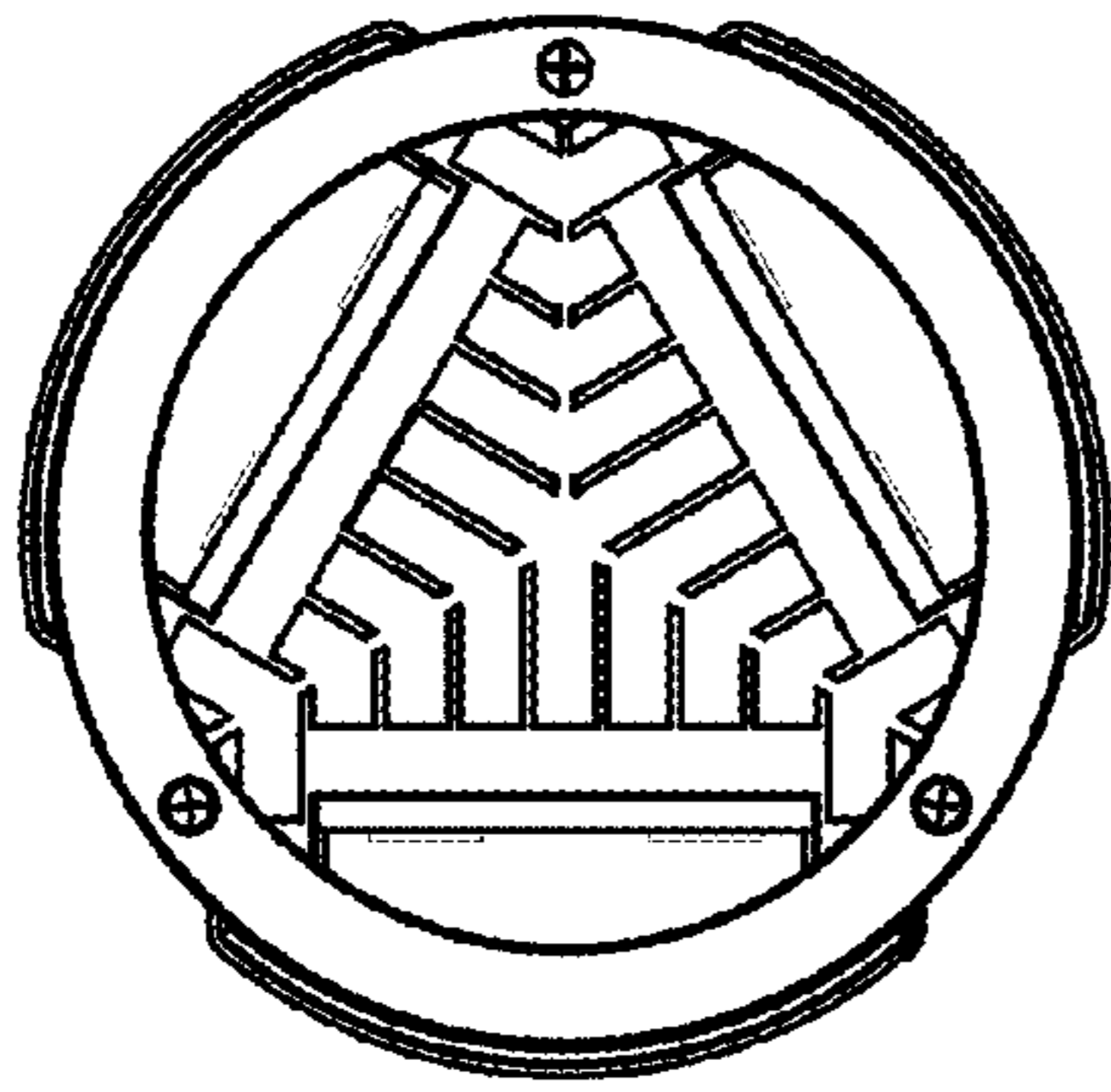


FIG. 3

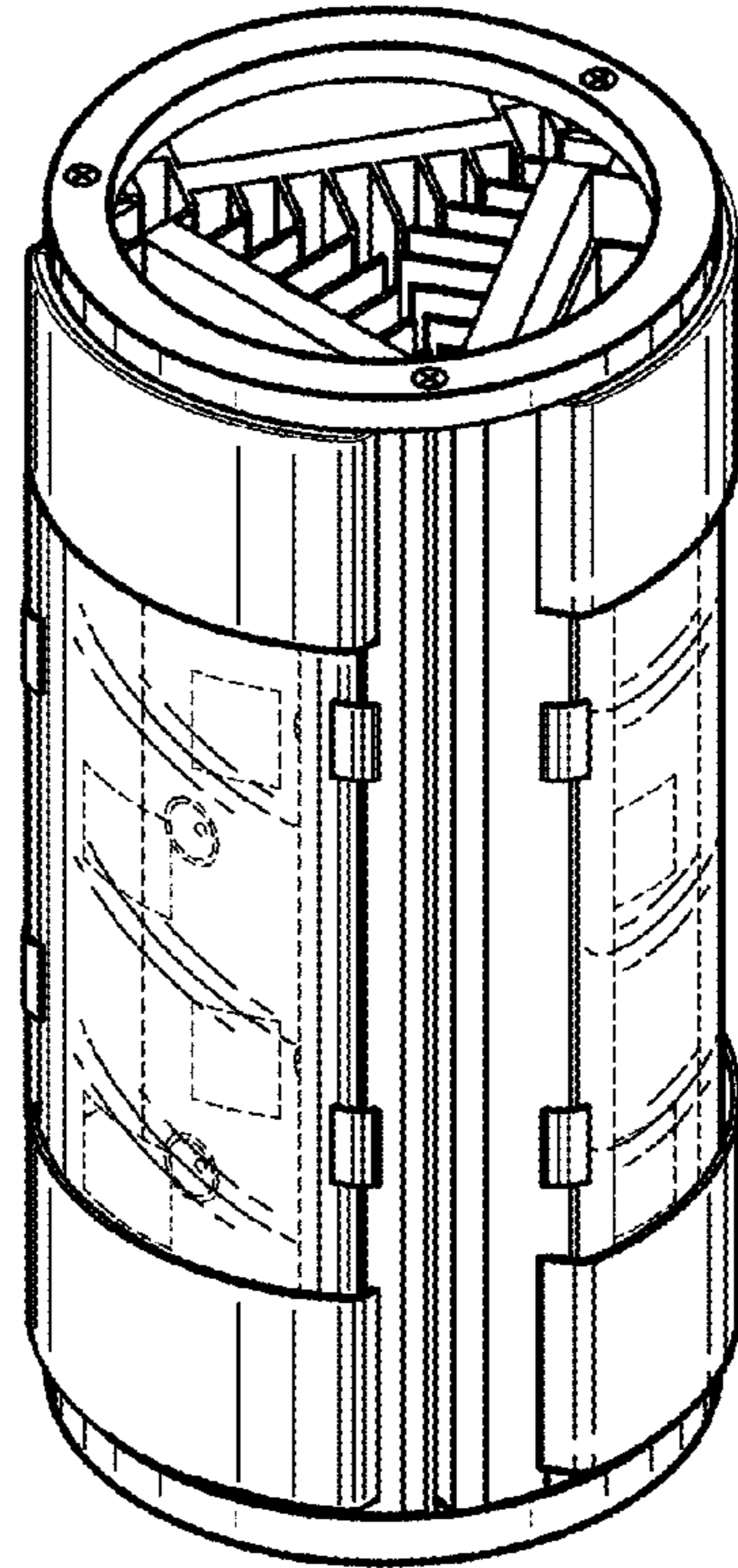


FIG. 1

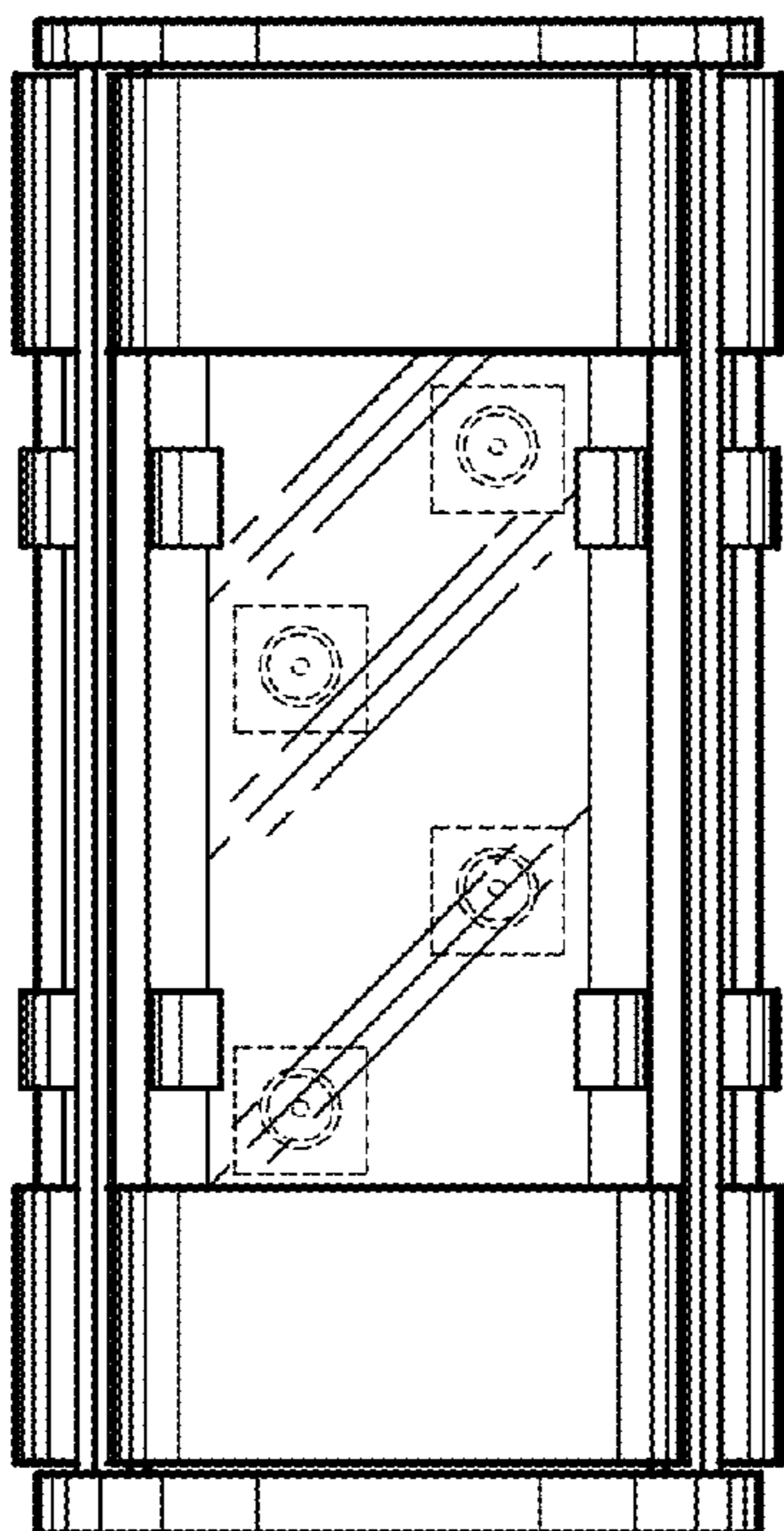


FIG. 2

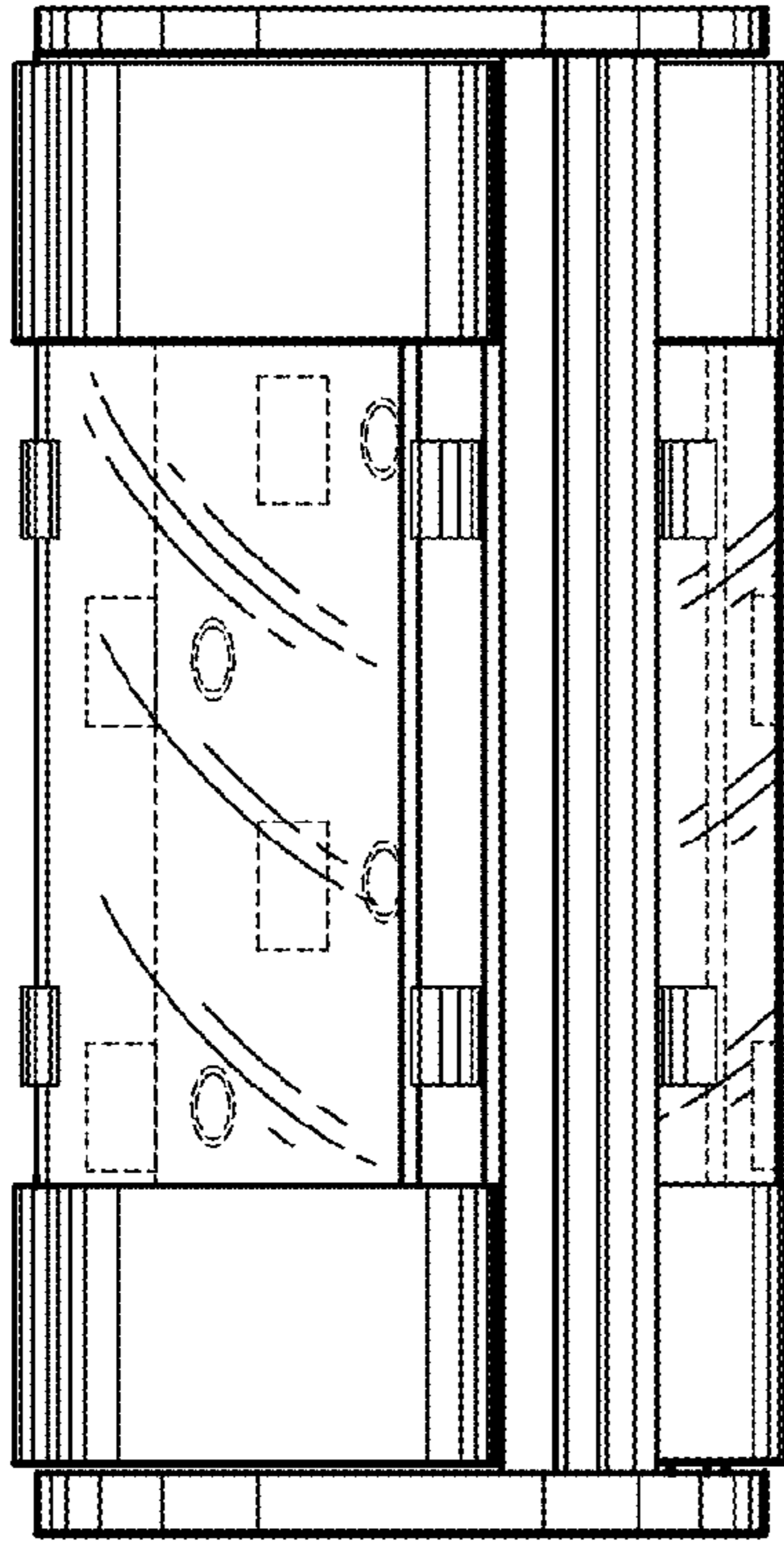


FIG. 4

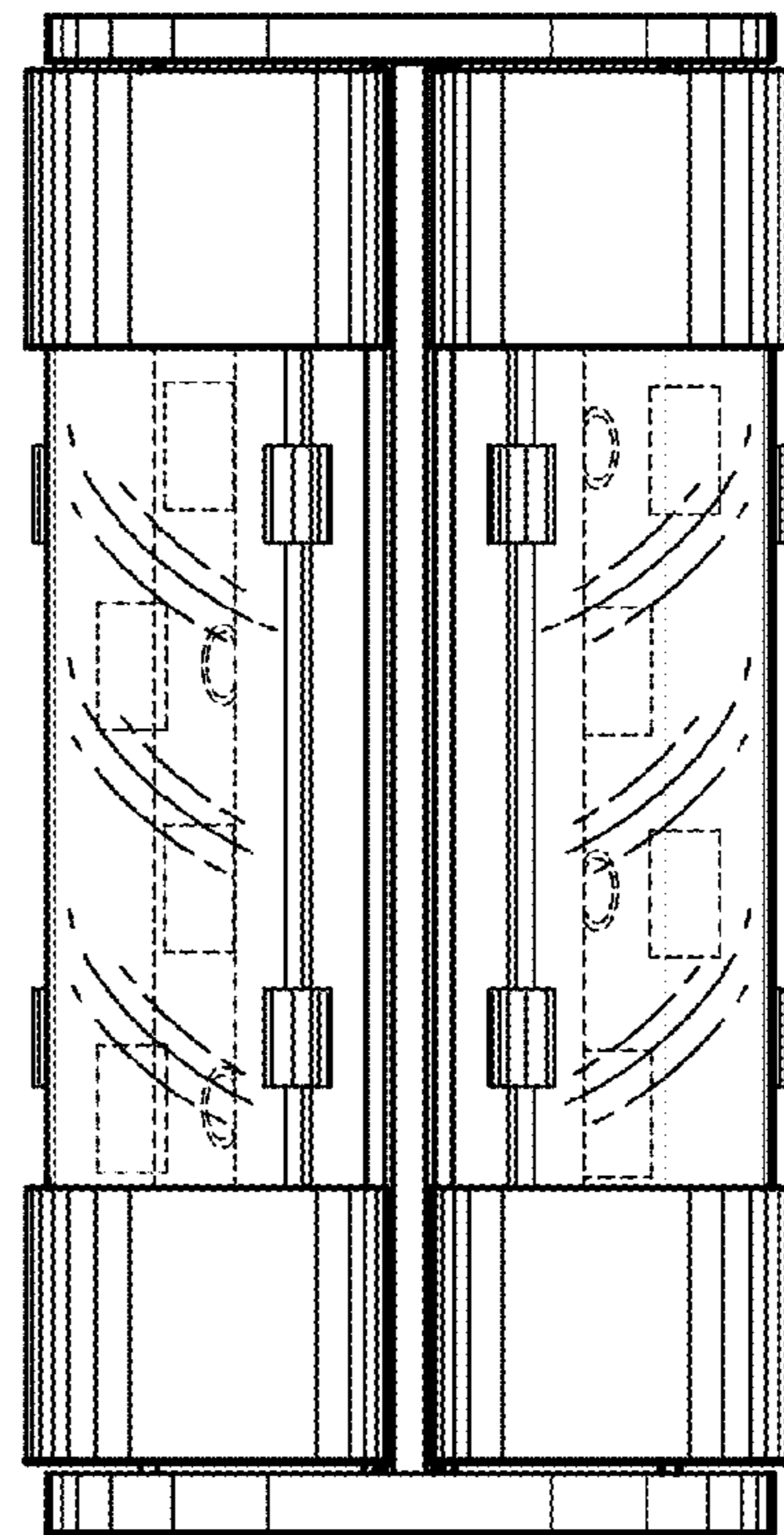


FIG. 5

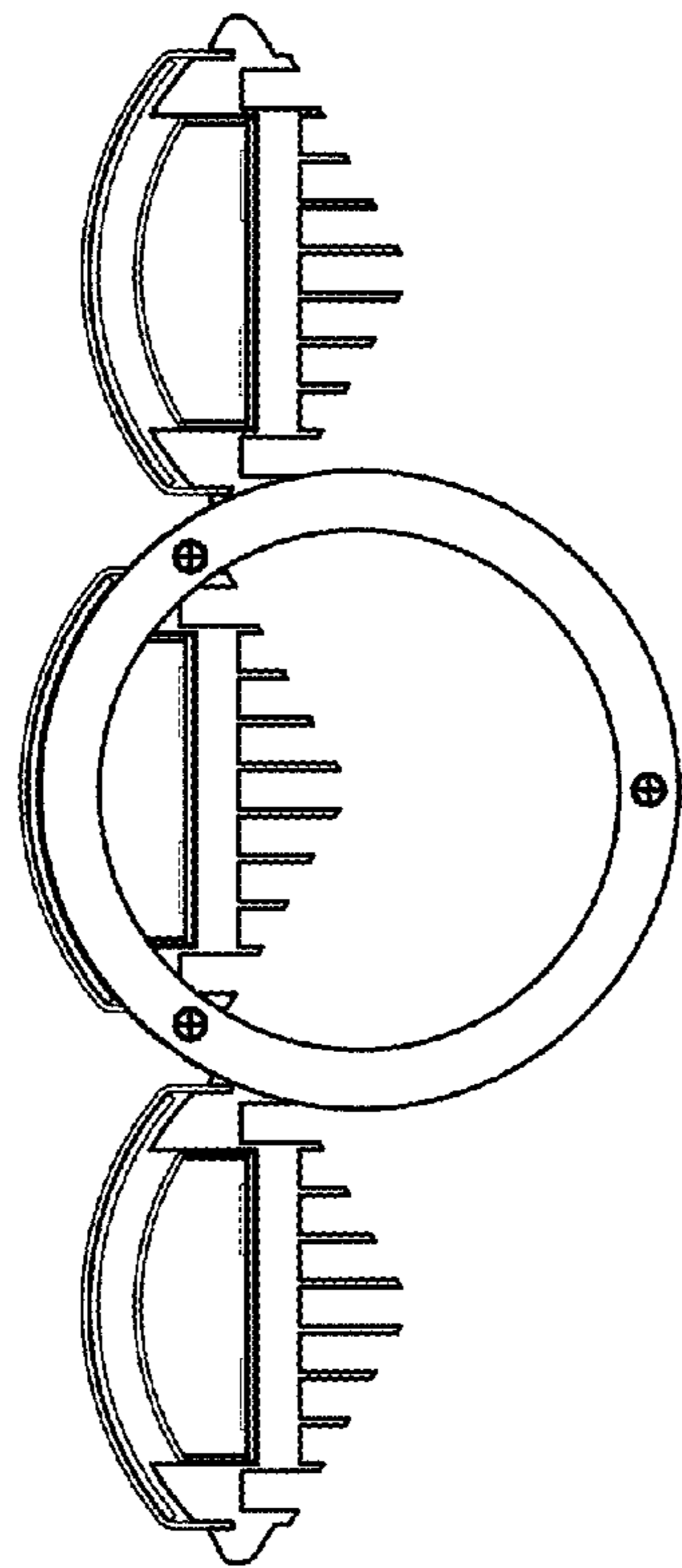


FIG. 8

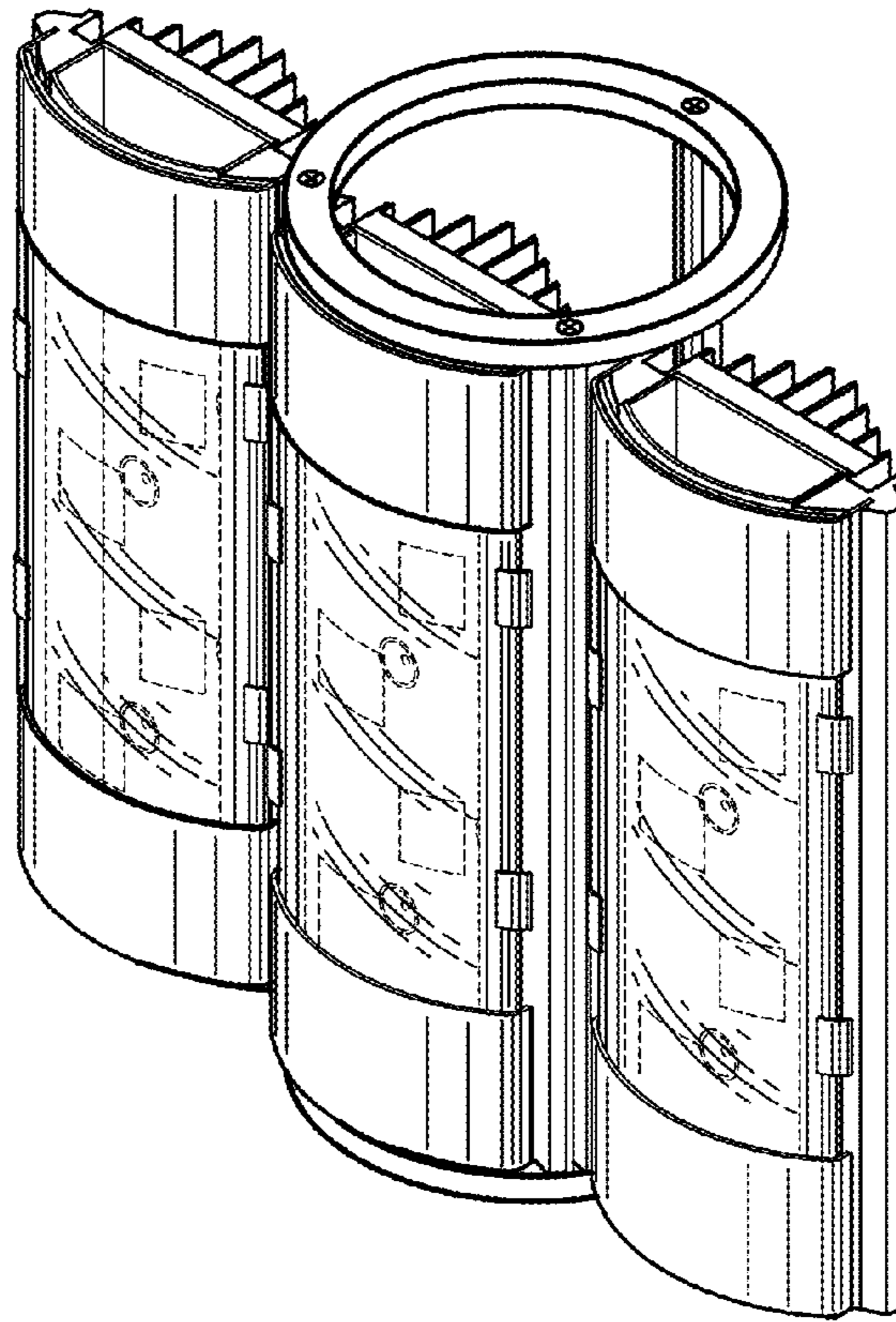


FIG. 6

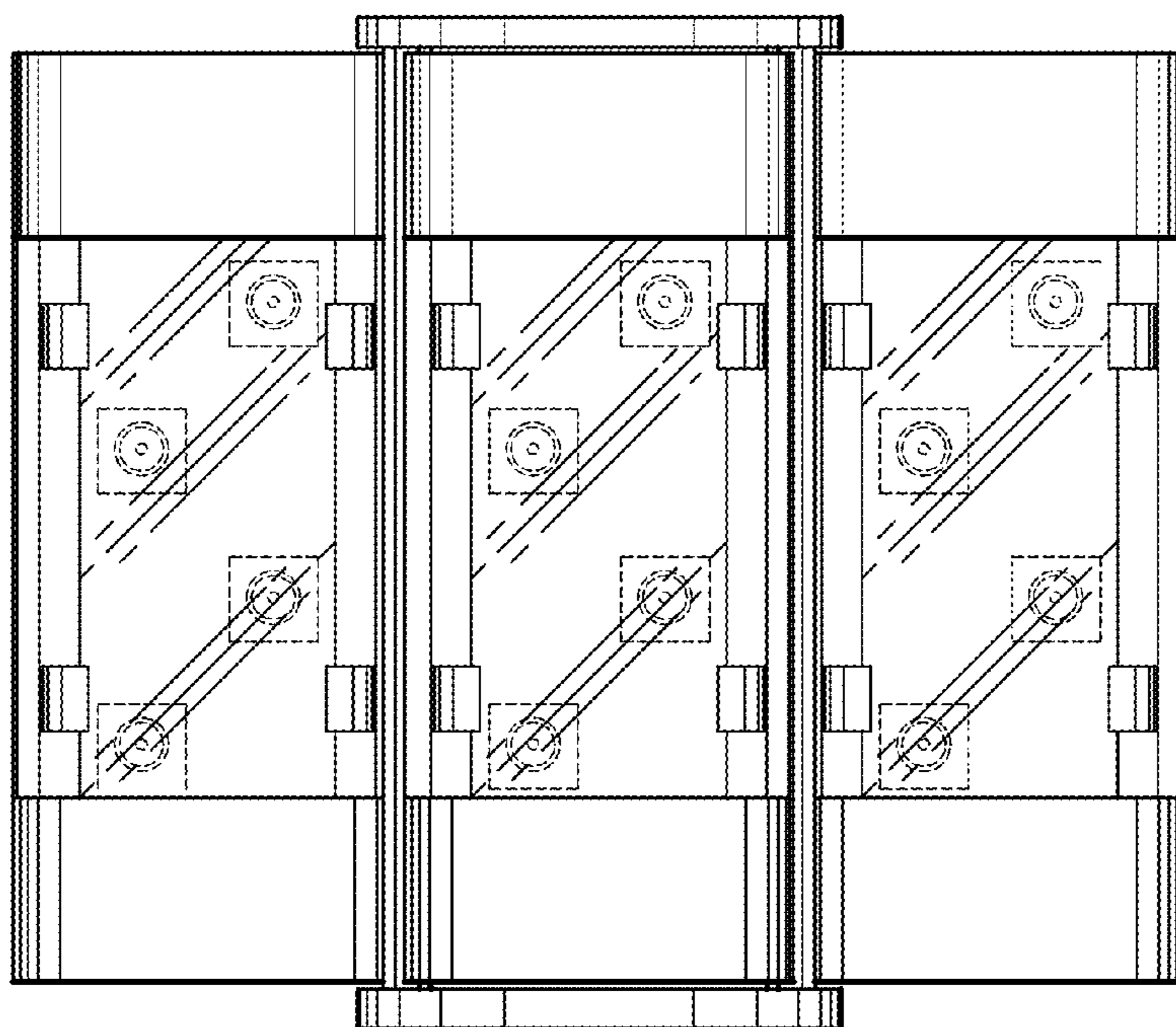


FIG. 7

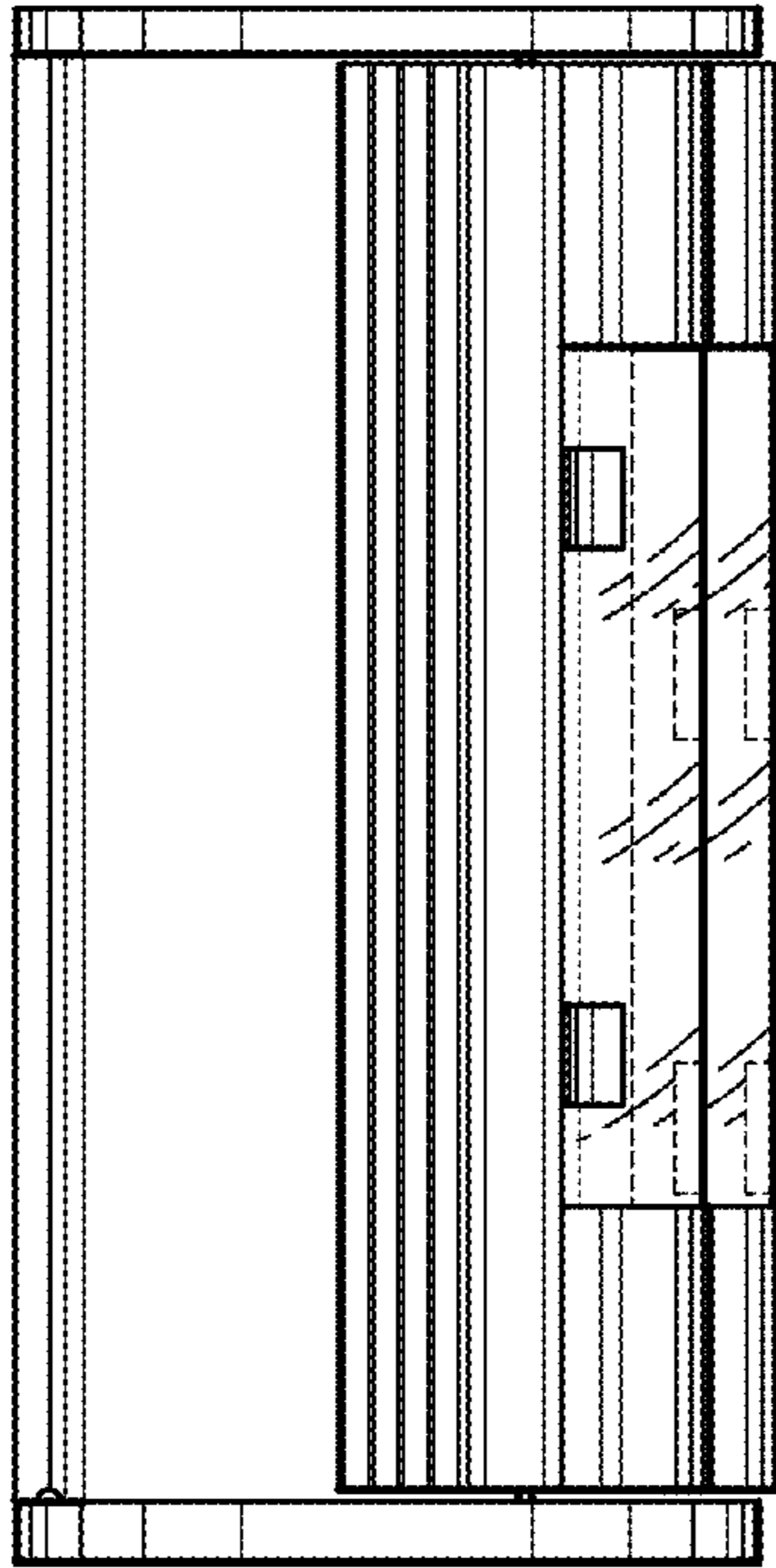


FIG. 9

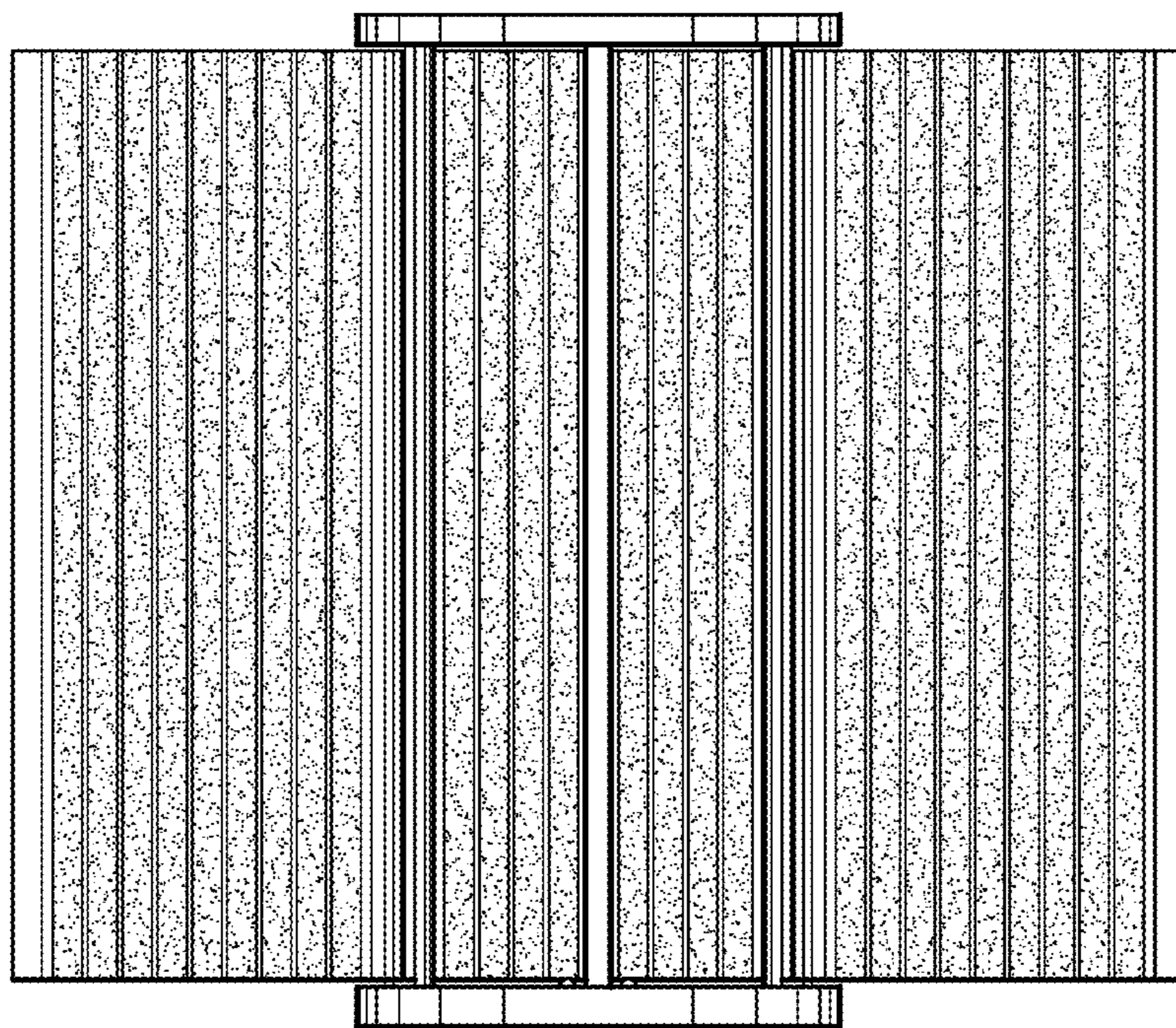


FIG. 10