



US00D729433S

(12) **United States Design Patent**
Bridger et al.

(10) **Patent No.:** **US D729,433 S**

(45) **Date of Patent:** **** May 12, 2015**

(54) **LIGHT**

(71) Applicant: **Apple Inc.**, Cupertino, CA (US)

(72) Inventors: **Robert Bridger**, Woodside, CA (US);
Benjamin L. Fay, Palo Alto, CA (US);
Ronald Bruce Johnson, Atherton, CA (US);
Kully Kraig Mandon, San Francisco, CA (US);
Jonathan P Siegel, San Francisco, CA (US)

(73) Assignee: **Apple Inc.**, Cupertino, CA (US)

(**) Term: **14 Years**

(21) Appl. No.: **29/434,594**

(22) Filed: **Oct. 15, 2012**

(51) **LOC (10) Cl.** **26-03**

(52) **U.S. Cl.**
USPC **D26/102**

(58) **Field of Classification Search**
USPC D26/1, 24, 58, 69, 71, 93, 102, 106,
D26/110; 362/3, 153, 186, 217, 255, 257,
362/277, 317, 351, 353, 362, 363, 382, 431,
362/433, 458, 806

See application file for complete search history.

(56) **References Cited**

U.S. PATENT DOCUMENTS

D293,030	S	*	12/1987	Vladescu	D26/93
D387,459	S	*	12/1997	Cool	D26/106
D451,627	S	*	12/2001	Dolan	D26/106
D589,641	S	*	3/2009	Sabernig	D26/93
D598,156	S	*	8/2009	Xiao et al.	D26/69

D624,689	S	*	9/2010	Kao	D26/102
D674,526	S	*	1/2013	Hirai et al.	D26/71
D681,865	S	*	5/2013	Lee	D26/93

OTHER PUBLICATIONS

Vode, "400 Series Monopoint System T5 Table Mount / 2" Anchor / Remote Ballast / Square Arm / Double Rail Installation Guide," vode.com, dated 2010, 2 pages.

Pablo Pardo, "BRAZO," pablodesigns.com, dated 2007/2008, 3 pages.

Pablo Pardo, "LIM," pablodesigns.com, dated 2009, 3 pages.

* cited by examiner

Primary Examiner — Brian N Vinson

(74) *Attorney, Agent, or Firm* — Sterne, Kessler, Goldstein & Fox P.L.L.C.

(57) **CLAIM**

The ornamental design for a light, as shown and described.

DESCRIPTION

FIG. 1 is a top front perspective view of a light showing our new design;

FIG. 2 is a front view thereof;

FIG. 3 is a rear view thereof;

FIG. 4 is a right side view thereof;

FIG. 5 is a left side view thereof;

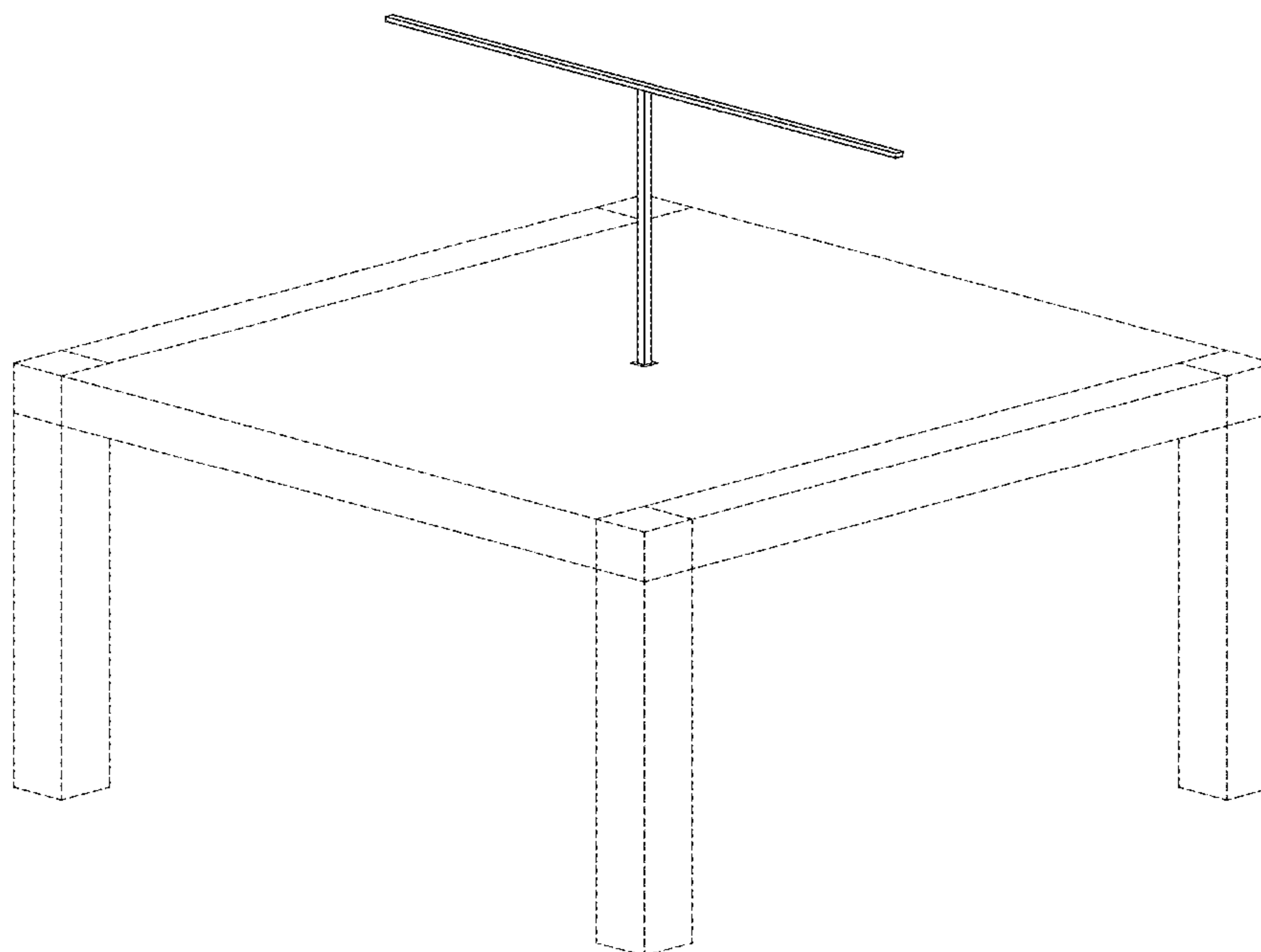
FIG. 6 is a top view thereof;

FIG. 7 is a bottom view thereof; and,

FIG. 8 is a front perspective view thereof showing a broken-line environmental table in use with the light.

The broken lines in the Figures show portions of the light and environment which form no part of the claimed design.

1 Claim, 6 Drawing Sheets



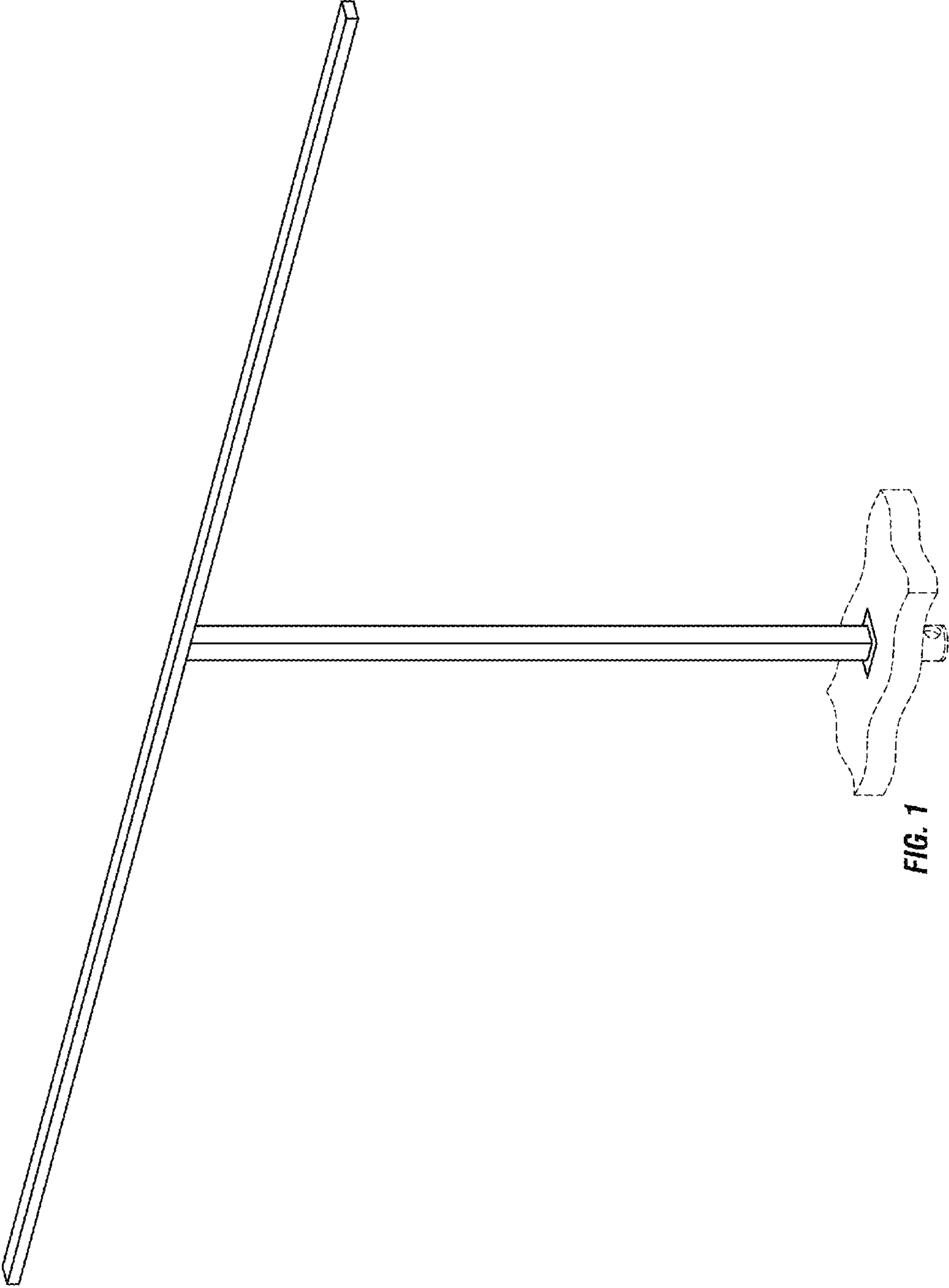


FIG. 1

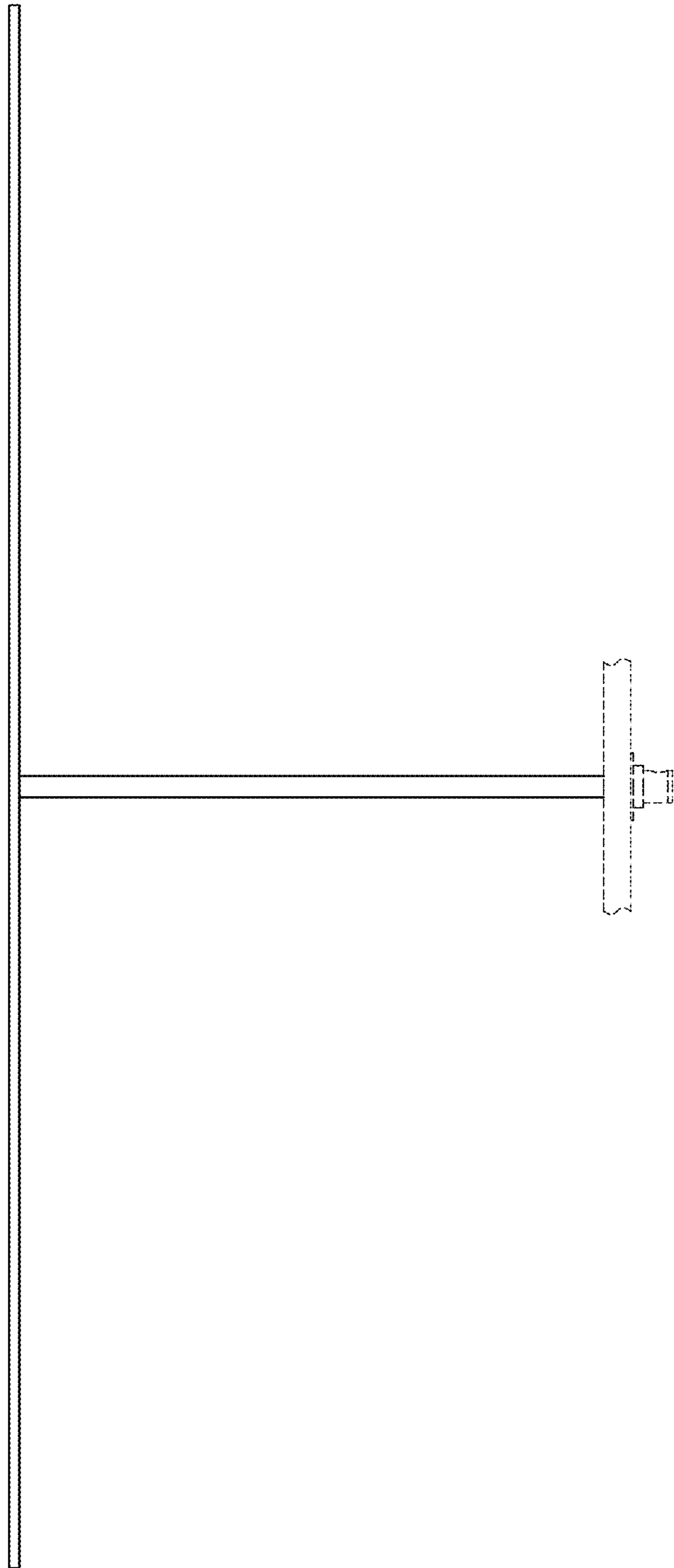


FIG. 2

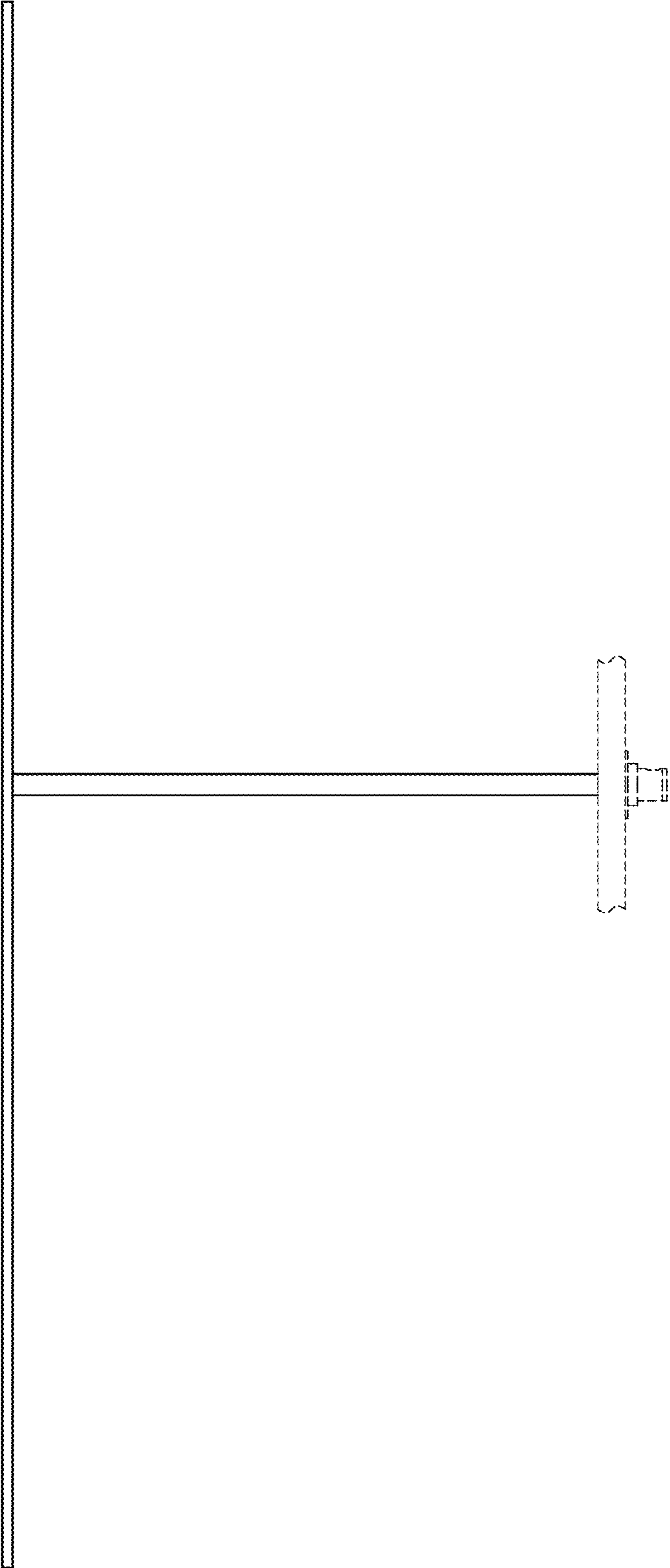


FIG. 3

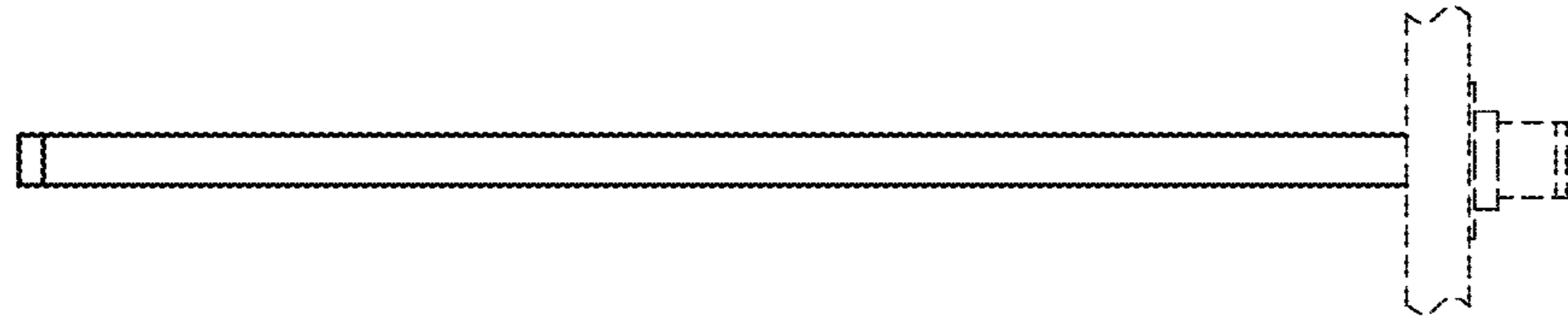


FIG. 5

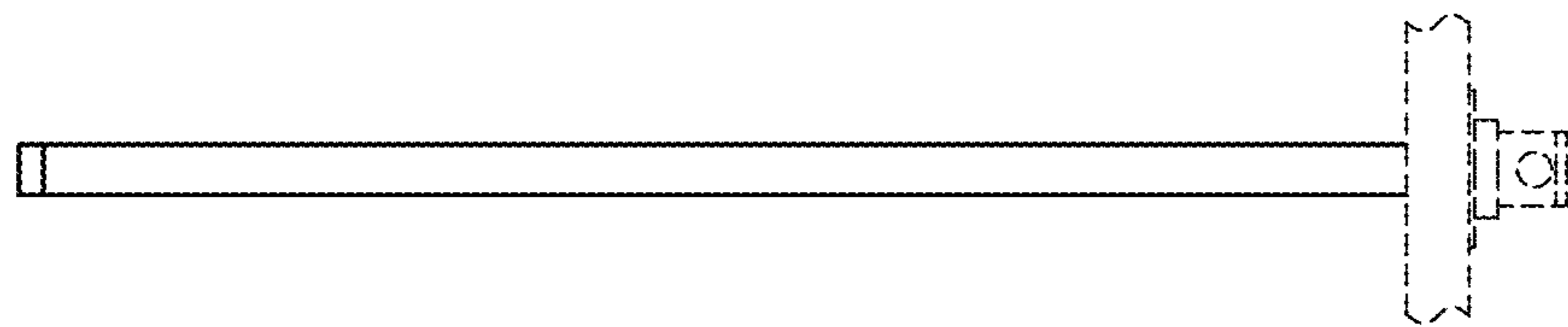


FIG. 4

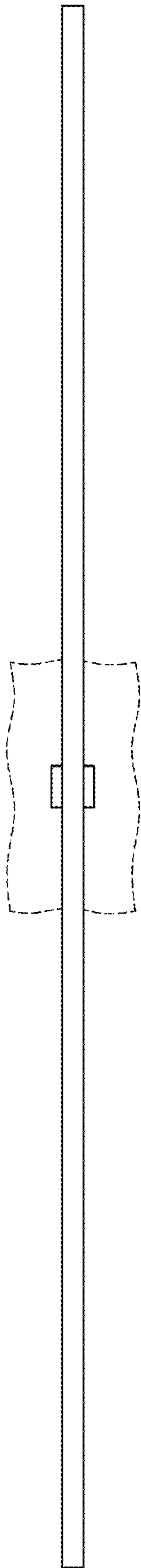


FIG. 6

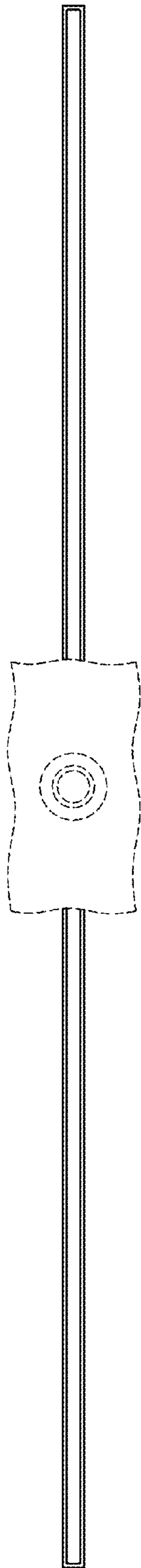


FIG. 7

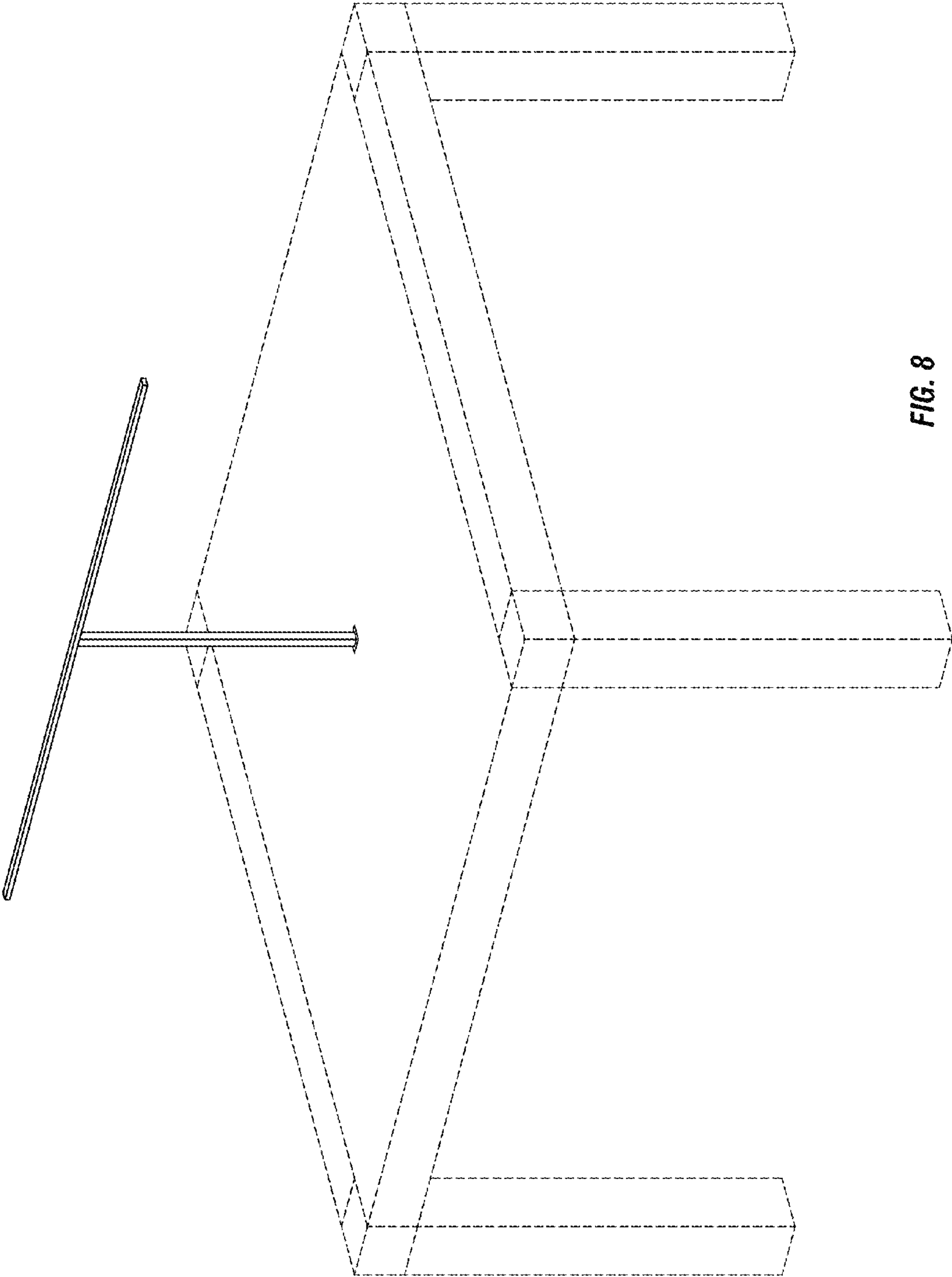


FIG. 8