



US00D729432S

(12) **United States Design Patent**  
**Newton et al.**

(10) **Patent No.:** **US D729,432 S**  
(45) **Date of Patent:** **\*\* May 12, 2015**

(54) **LUMINAIRE**

(71) Applicants: **Chad Stuart Newton**, Tyrone, GA (US);  
**Christopher Michael Bryant**, Social  
Circle, GA (US)

(72) Inventors: **Chad Stuart Newton**, Tyrone, GA (US);  
**Christopher Michael Bryant**, Social  
Circle, GA (US)

(73) Assignee: **Cooper Technologies Company**,  
Houston, TX (US)

(\*\*) Term: **14 Years**

(21) Appl. No.: **29/475,915**

(22) Filed: **Dec. 9, 2013**

(51) **LOC (10) Cl.** ..... **26-03**

(52) **U.S. Cl.**  
USPC ..... **D26/92**

(58) **Field of Classification Search**

CPC ..... F21V 15/01; F21V 17/107; F21V 19/02;  
F21S 8/033; F21S 8/043; F21W 2131/103;  
F21W 2131/107

USPC ..... D26/69, 70, 71, 72, 85, 92, 118;  
362/432

See application file for complete search history.

(56) **References Cited**

**U.S. PATENT DOCUMENTS**

D54,630	S	*	3/1920	Jimmerson	.....	D26/87
3,374,919	A	*	3/1968	De Vos	.....	362/432
4,595,971	A	*	6/1986	Dean	.....	362/345
D313,483	S	*	1/1991	Blake	.....	D26/71
D329,714	S	*	9/1992	McIngvale et al.	.....	D26/71
D389,939	S	*	1/1998	Leen	.....	D26/71
D400,998	S	*	11/1998	Leen	.....	D26/71
D418,620	S	*	1/2000	Grossman	.....	D26/71
D424,228	S	*	5/2000	Grossman	.....	D26/71
6,155,701	A	*	12/2000	Leen	.....	362/432
7,097,332	B2	*	8/2006	Vamberi	.....	362/405

(Continued)

**OTHER PUBLICATIONS**

Cooper Lighting; Streetworks RMA/RMC Security Light; Product  
Specification; Jul. 23, 2010.

(Continued)

*Primary Examiner* — Clare E Heflin

(74) *Attorney, Agent, or Firm* — King & Spalding LLP

(57) **CLAIM**

The ornamental design for a luminaire, as shown and  
described.

**DESCRIPTION**

FIG. 1 is a front perspective view of a luminaire, showing our  
new design;

FIG. 2 is a rear perspective view thereof;

FIG. 3 is a top plan view thereof;

FIG. 4 is a bottom plan view thereof;

FIG. 5 is a left-side elevational view thereof;

FIG. 6 is a right-side elevational view thereof;

FIG. 7 is a front elevational view thereof; and

FIG. 8 is a rear elevational view thereof.

FIG. 9 is a front perspective view of another embodiment of  
the luminaire, showing our new design;

FIG. 10 is a rear perspective view thereof;

FIG. 11 is a top plan view thereof;

FIG. 12 is a bottom plan view thereof;

FIG. 13 is a left-side elevational view thereof;

FIG. 14 is a right-side elevational view thereof;

FIG. 15 is a front elevational view thereof; and

FIG. 16 is a rear elevational view thereof.

FIG. 17 is a front perspective view of yet another embodiment  
of the luminaire, showing our new design;

FIG. 18 is a rear perspective view thereof;

FIG. 19 is a top plan view thereof;

FIG. 20 is a bottom plan view thereof;

FIG. 21 is a left-side elevational view thereof;

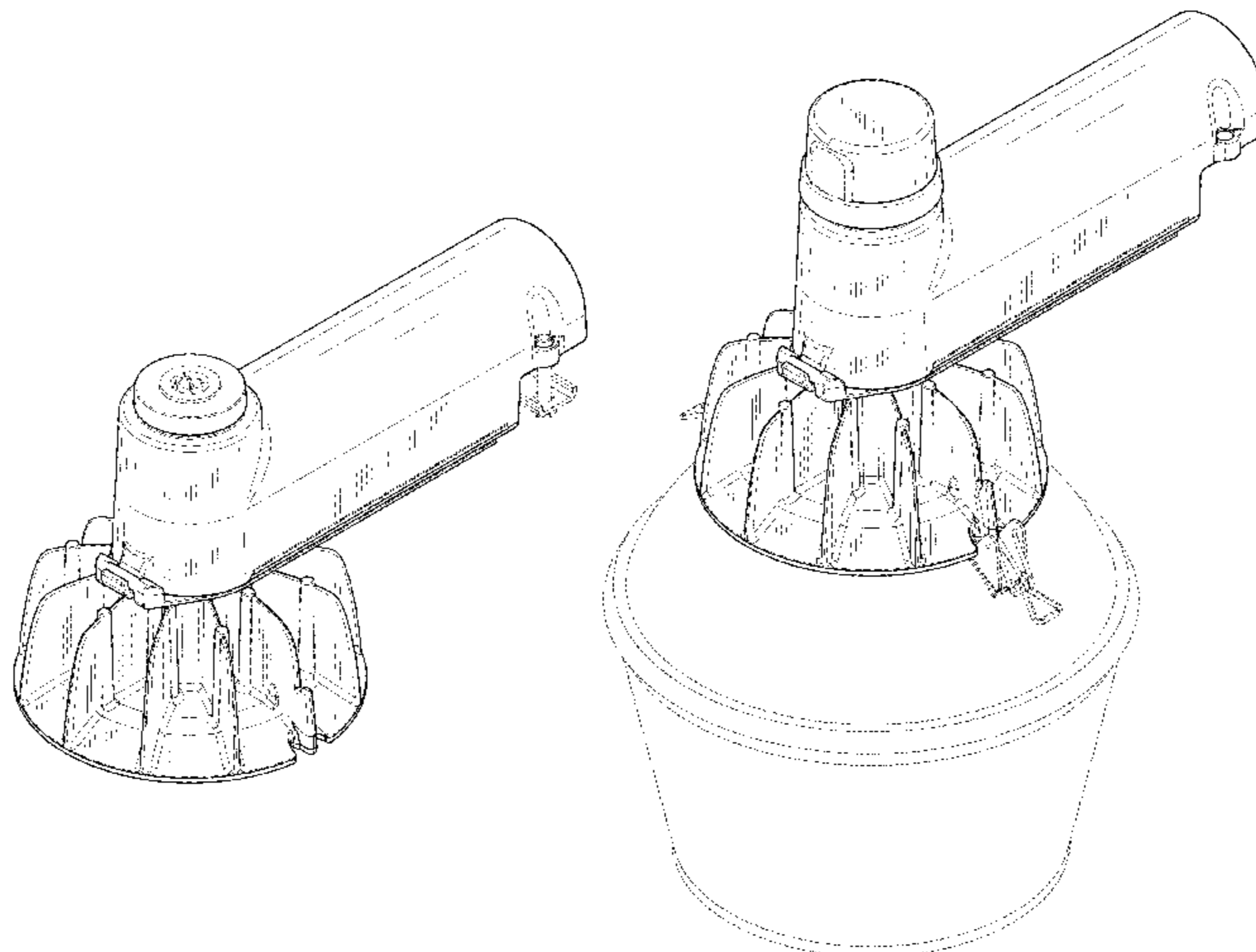
FIG. 22 is a right-side elevational view thereof;

FIG. 23 is a front elevational view thereof; and,

FIG. 24 is a rear elevational view thereof.

The broken lines in the figures represent unclaimed subject  
matter and form no part of the claimed design.

**1 Claim, 20 Drawing Sheets**



(56)

**References Cited**

U.S. PATENT DOCUMENTS

D586,498 S \* 2/2009 Wu et al. .... D26/118  
8,591,061 B2 \* 11/2013 Hyun et al. .... 362/236  
D694,946 S \* 12/2013 Yu ..... D26/92  
D703,367 S \* 4/2014 Tsao ..... D26/92  
8,827,507 B2 \* 9/2014 Van De Ven et al. .... 362/373  
2002/0018344 A1 \* 2/2002 Sears et al. .... 362/265

OTHER PUBLICATIONS

Grandlite International, Dusk to Dawn LED Fixture, LED-712; Product Specification; Apr. 2013.

American Electric Lighting; Installation Instructions Nov. 9, 2011.  
Evolma; Area Max; 40W LED Area Light; Product Specification; Jul. 2013.  
MaxLite; MLAR30LED; LED High Mount Area Light; Product Specification; Jul. 5, 2012.  
Evolucia; LED NightWatch Luminaire; Product Specification; Apr. 2013.  
ANSI Standard; C136.6-2004; p. 7; Jun. 2004.

\* cited by examiner

FIG. 1

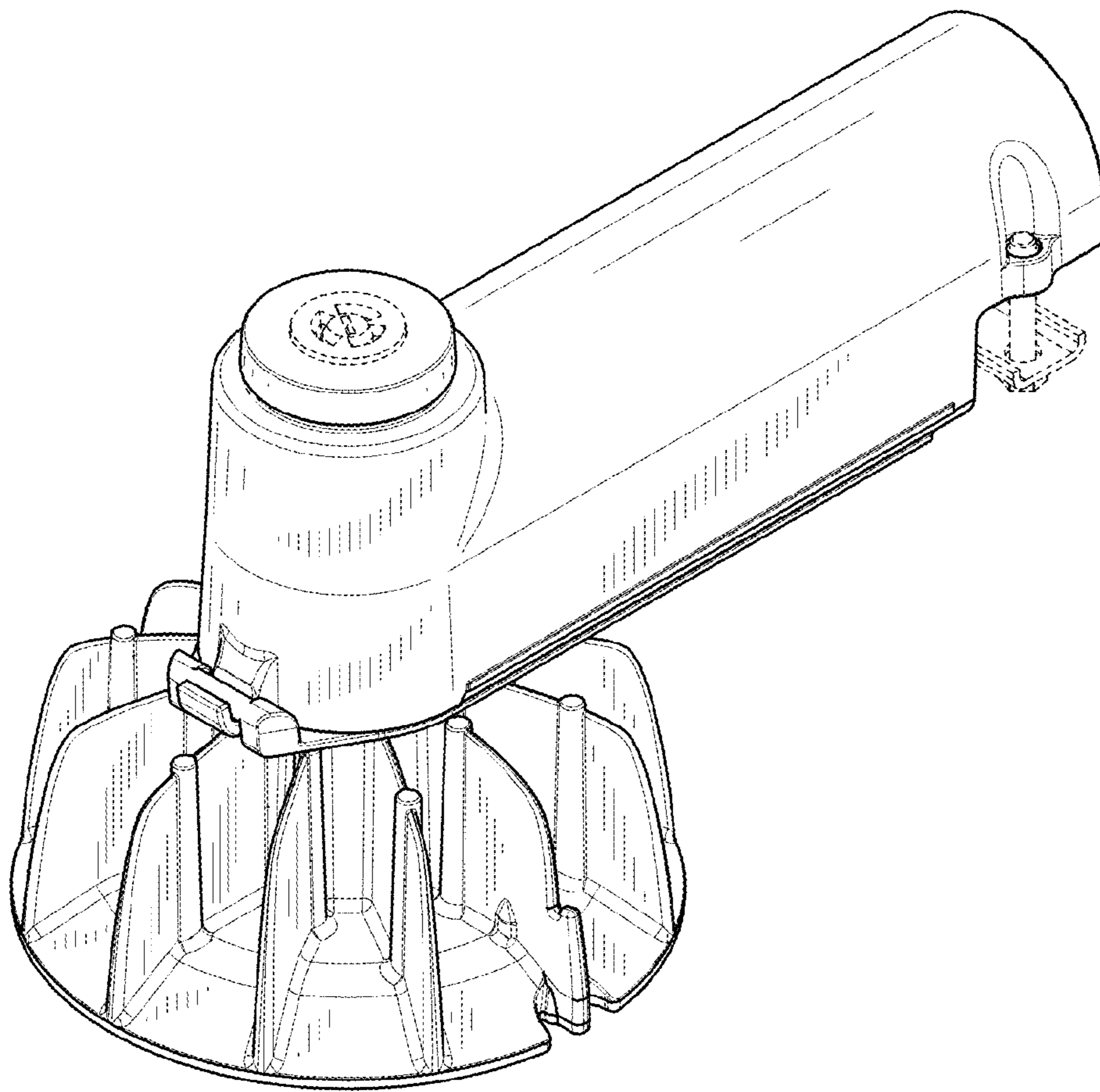




FIG. 2

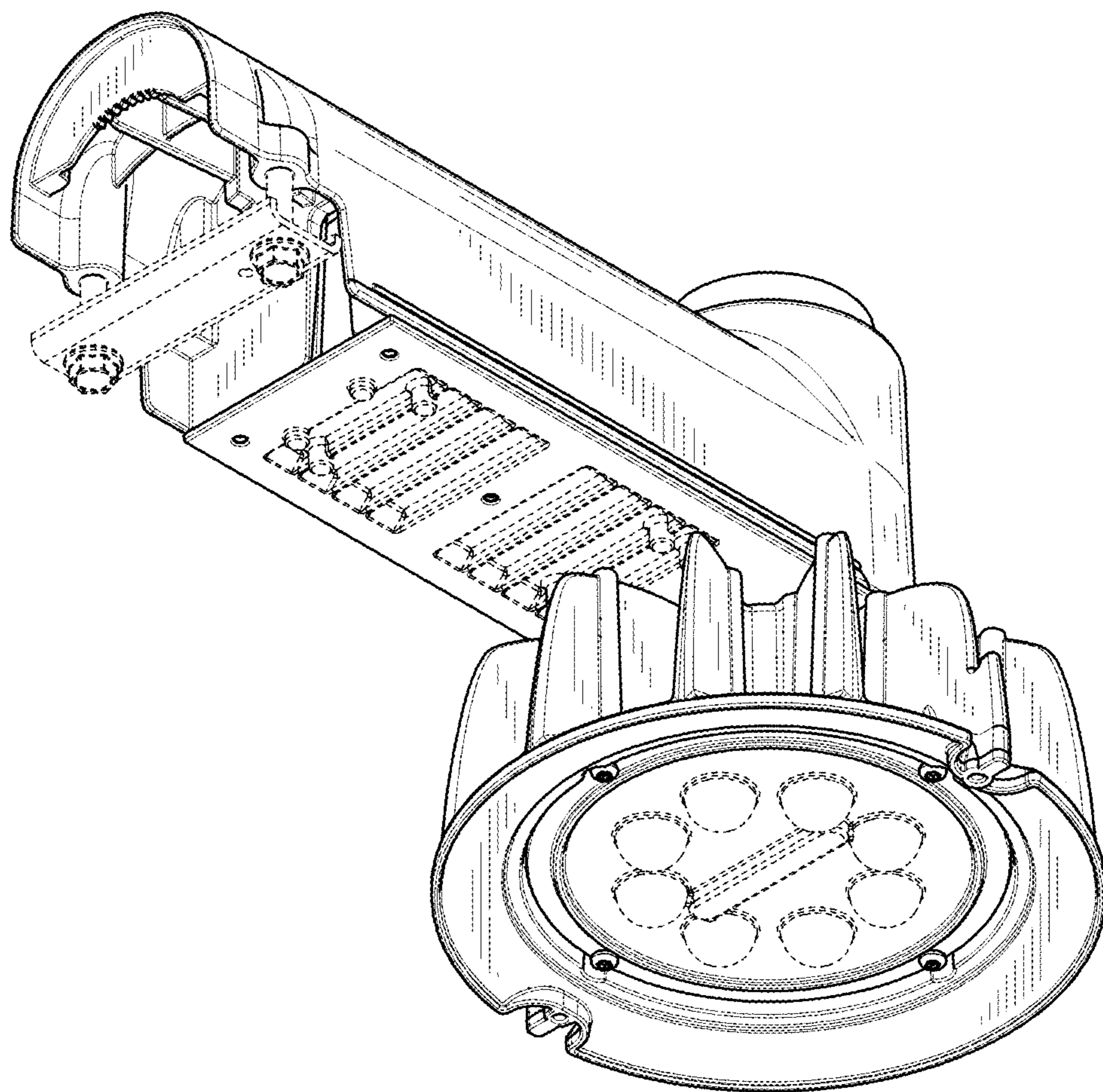


FIG. 3

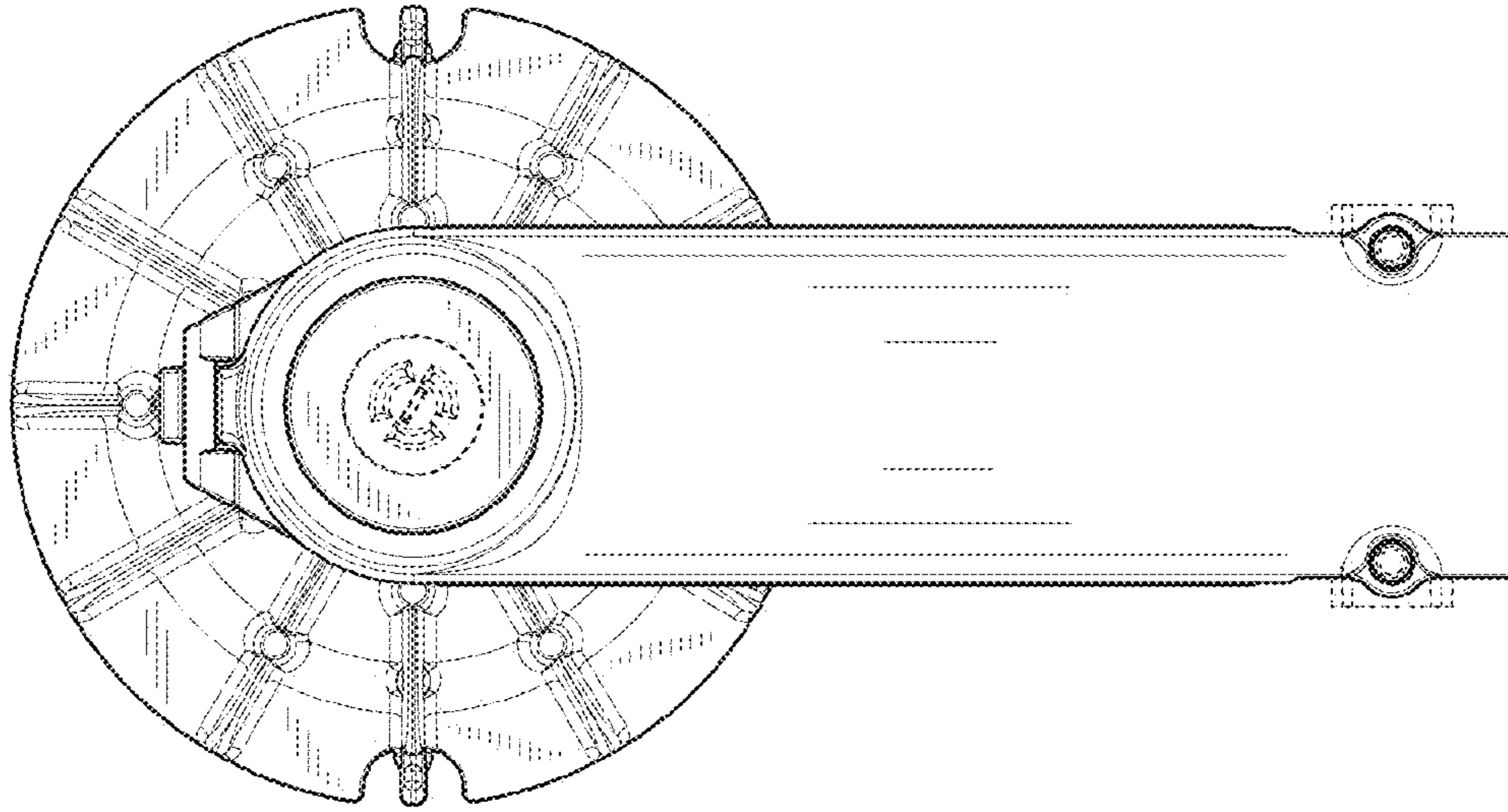


FIG. 4

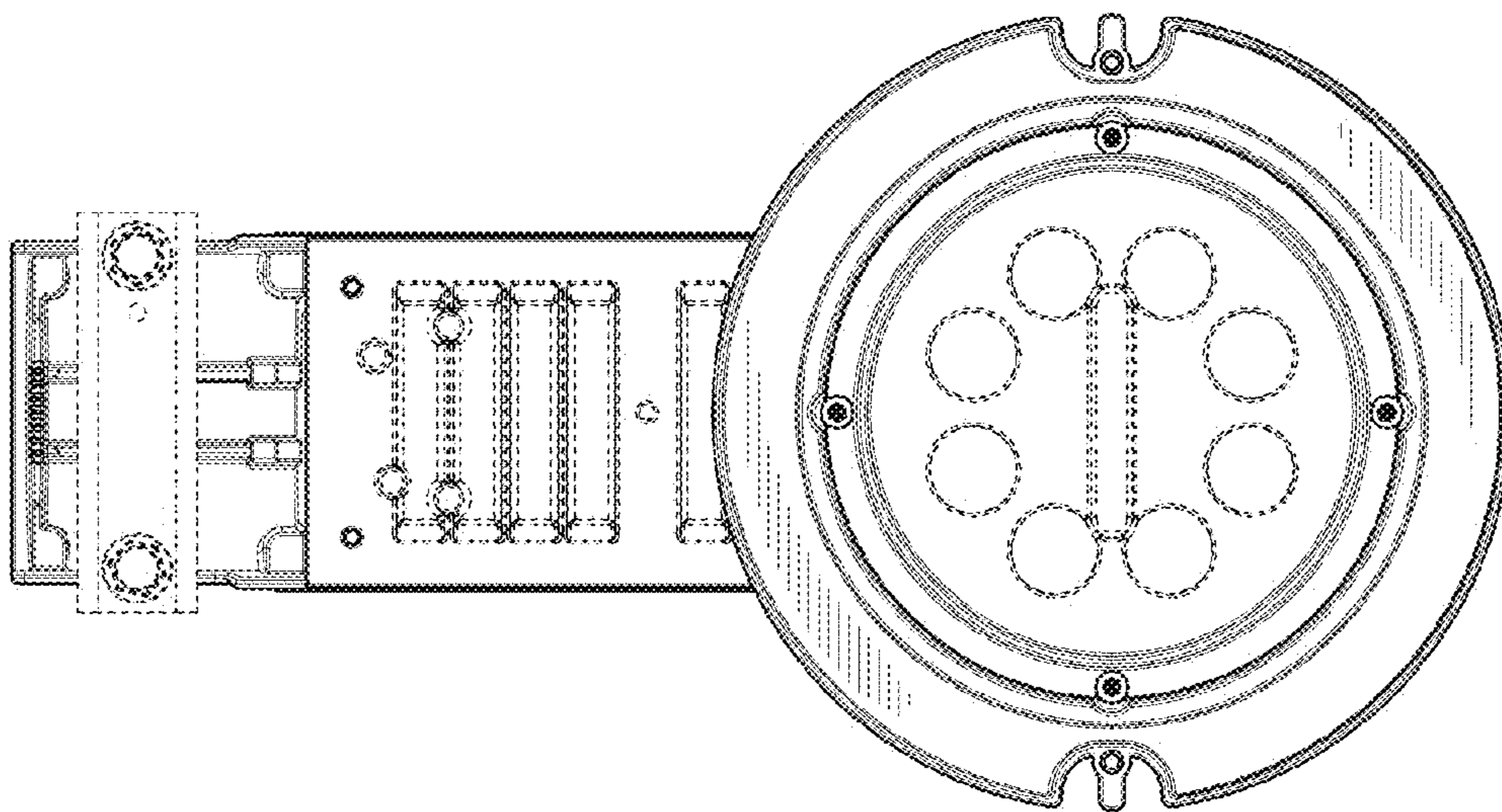


FIG. 5

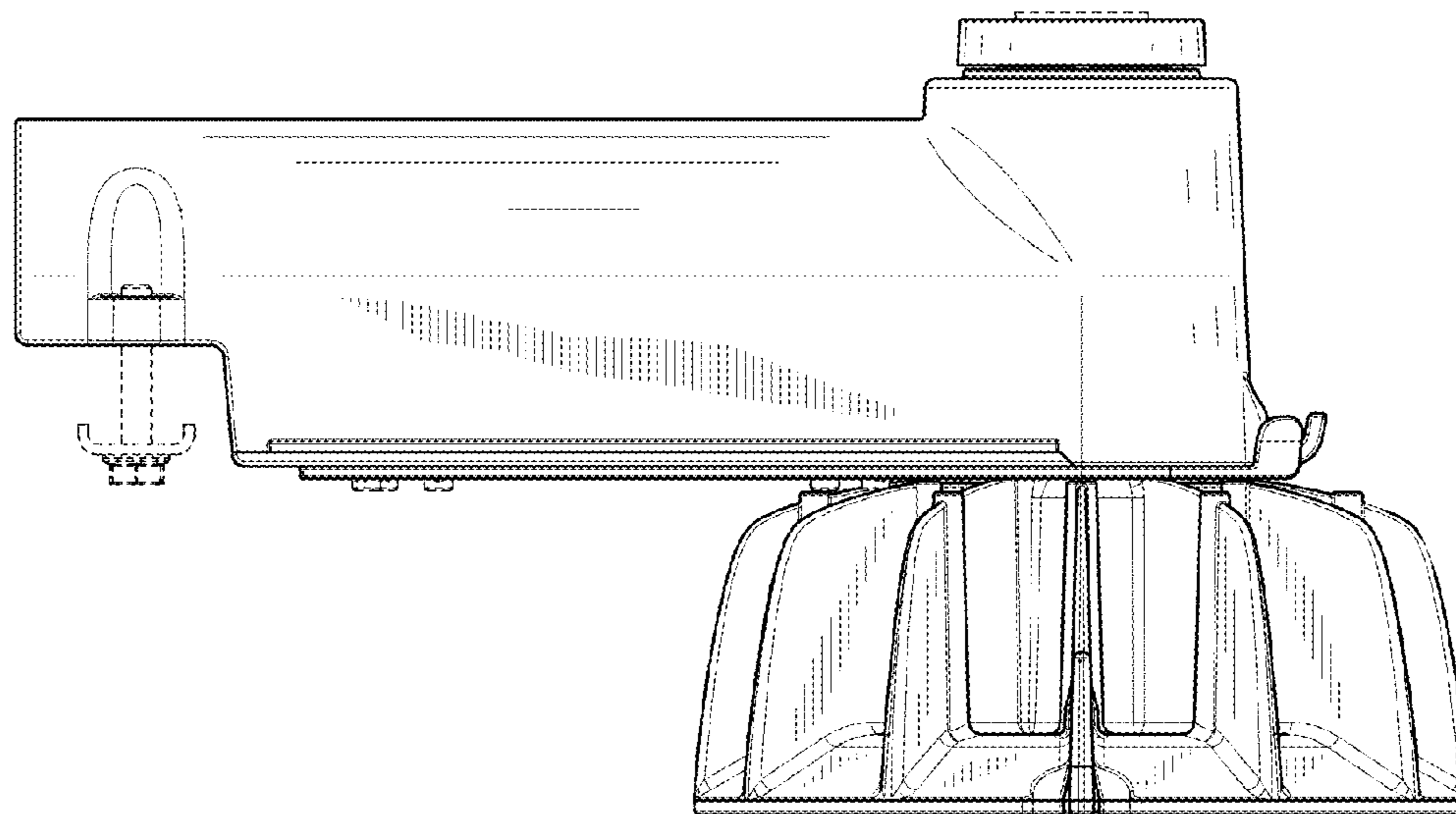


FIG. 6

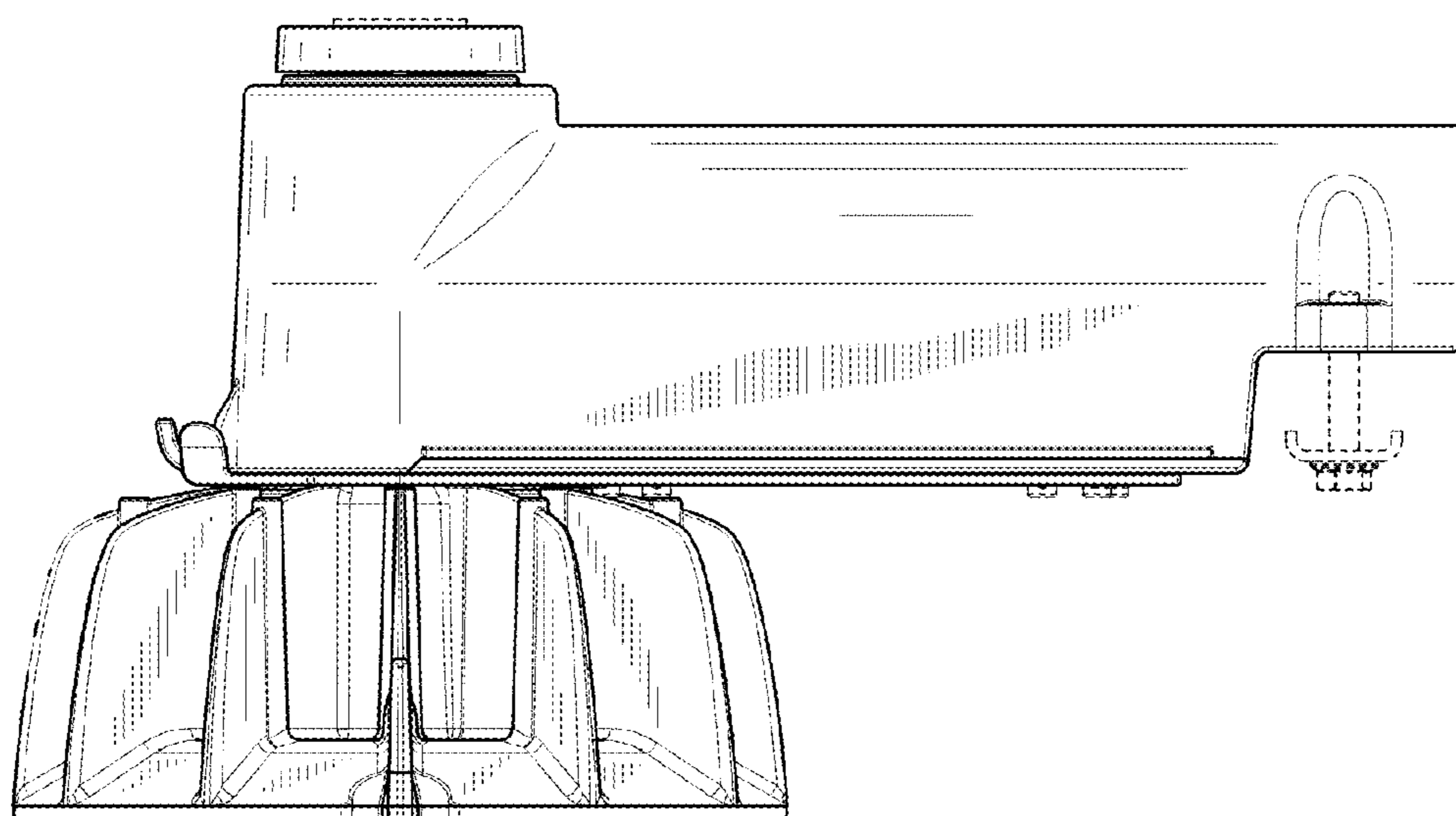




FIG. 7

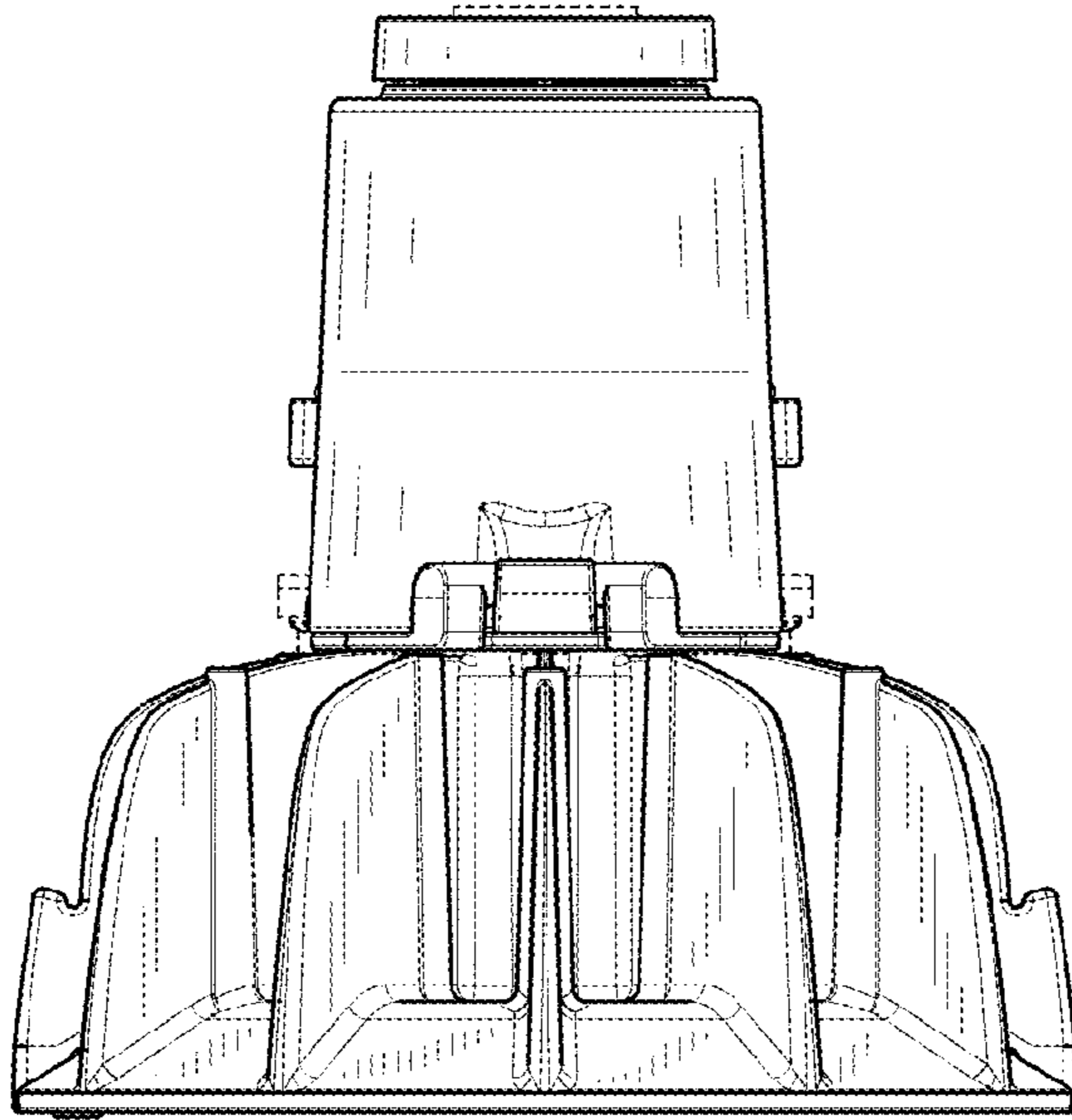


FIG. 8

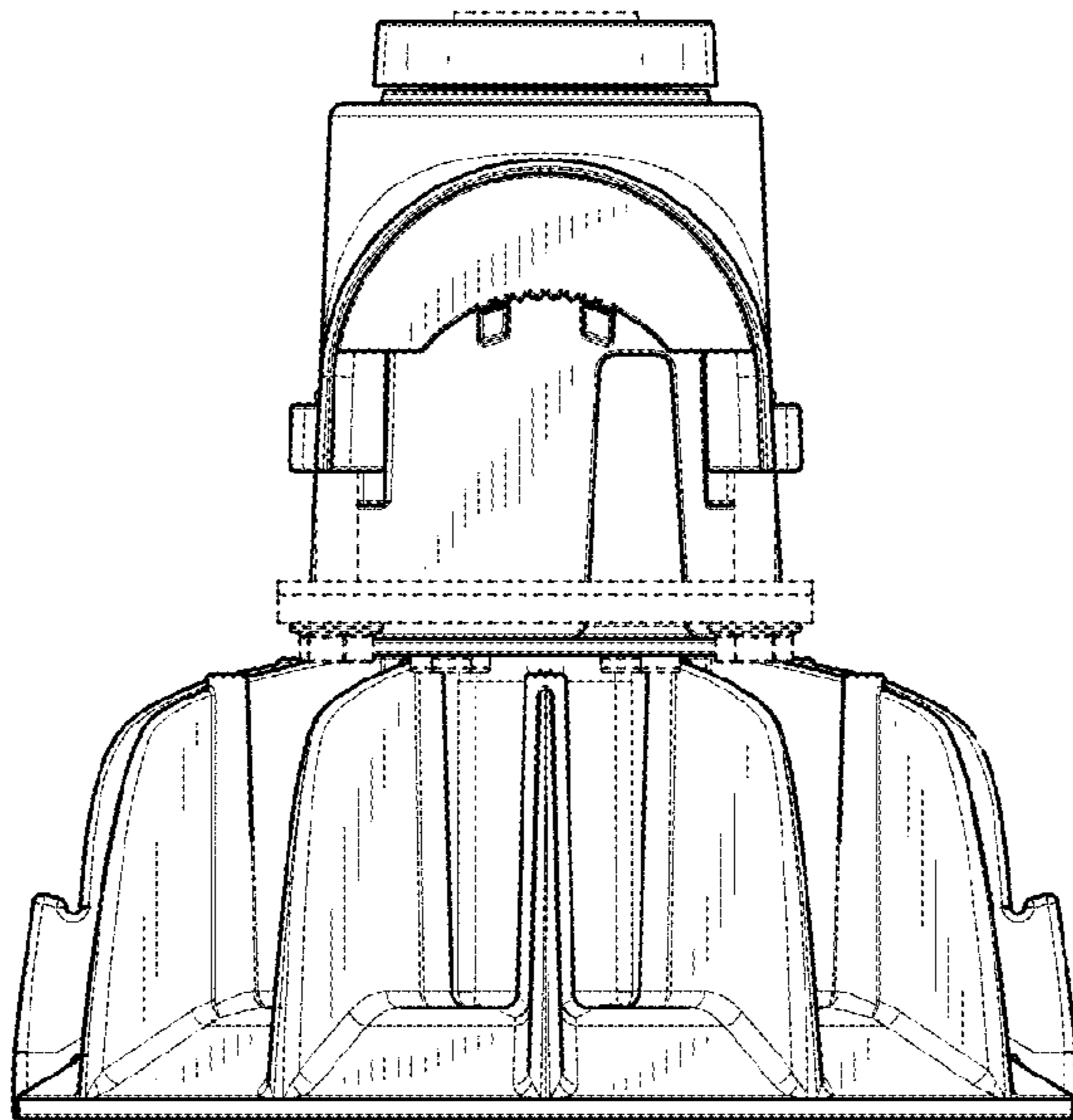


FIG. 9

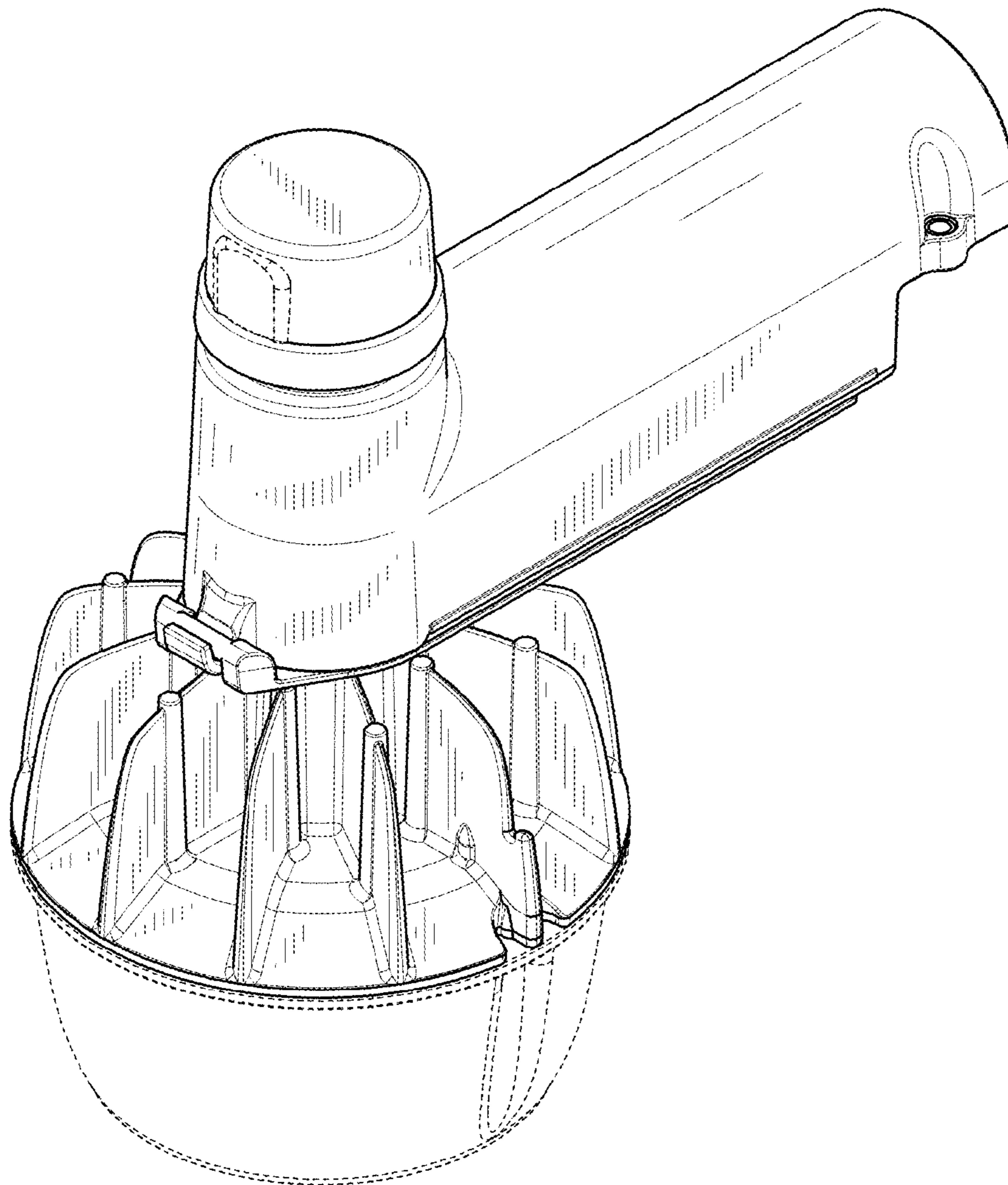




FIG. 10

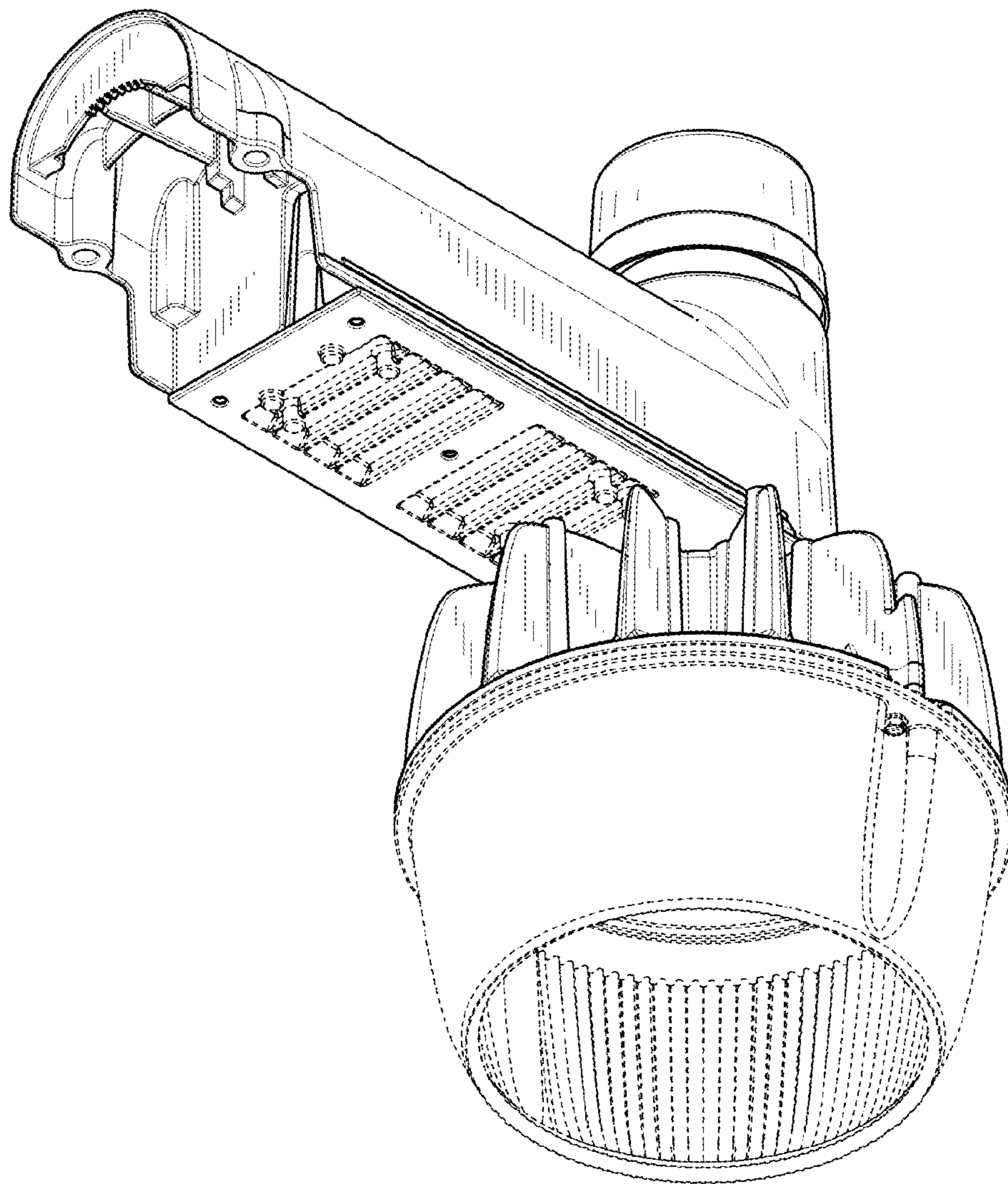


FIG. 11

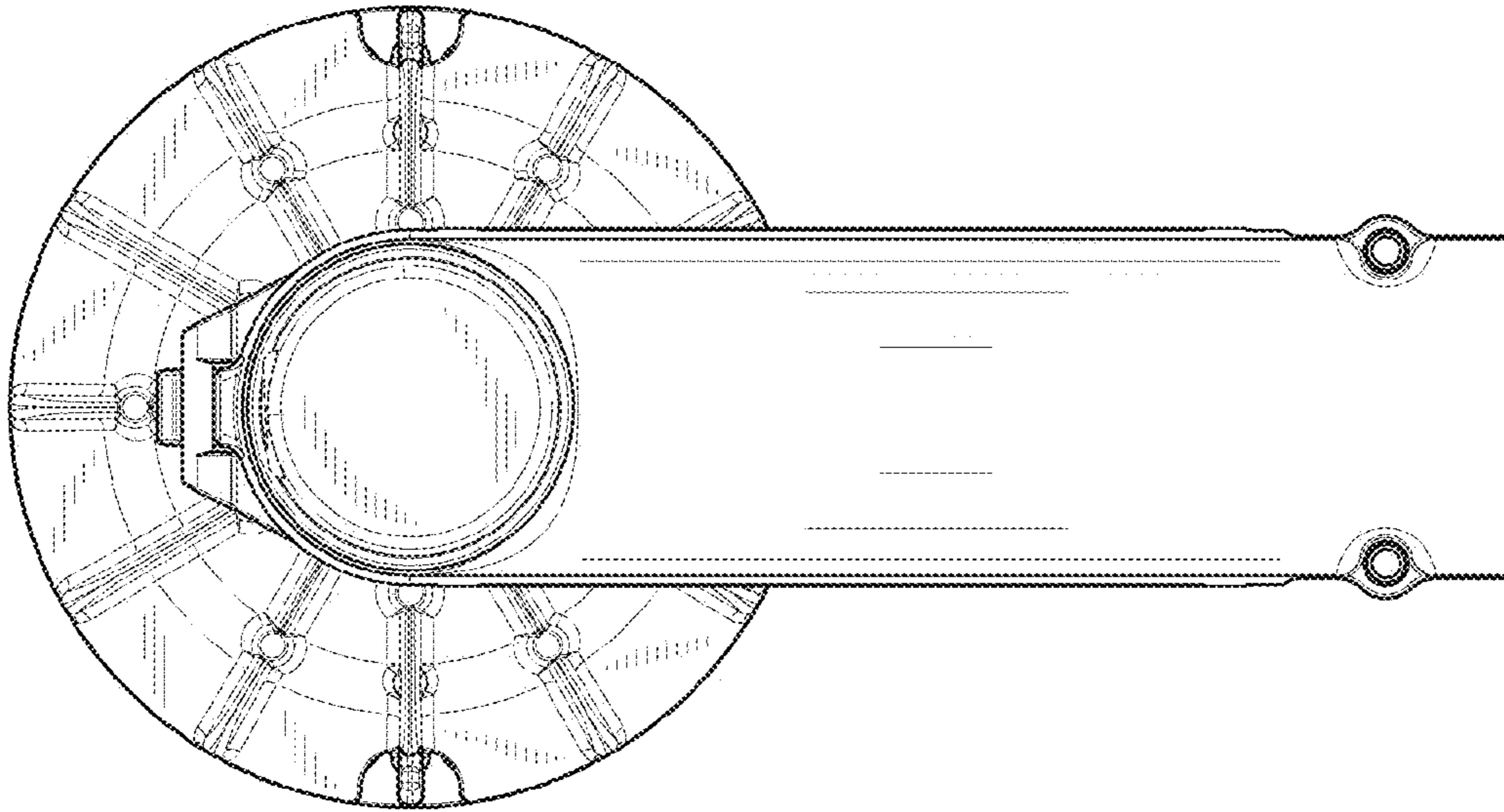


FIG. 12

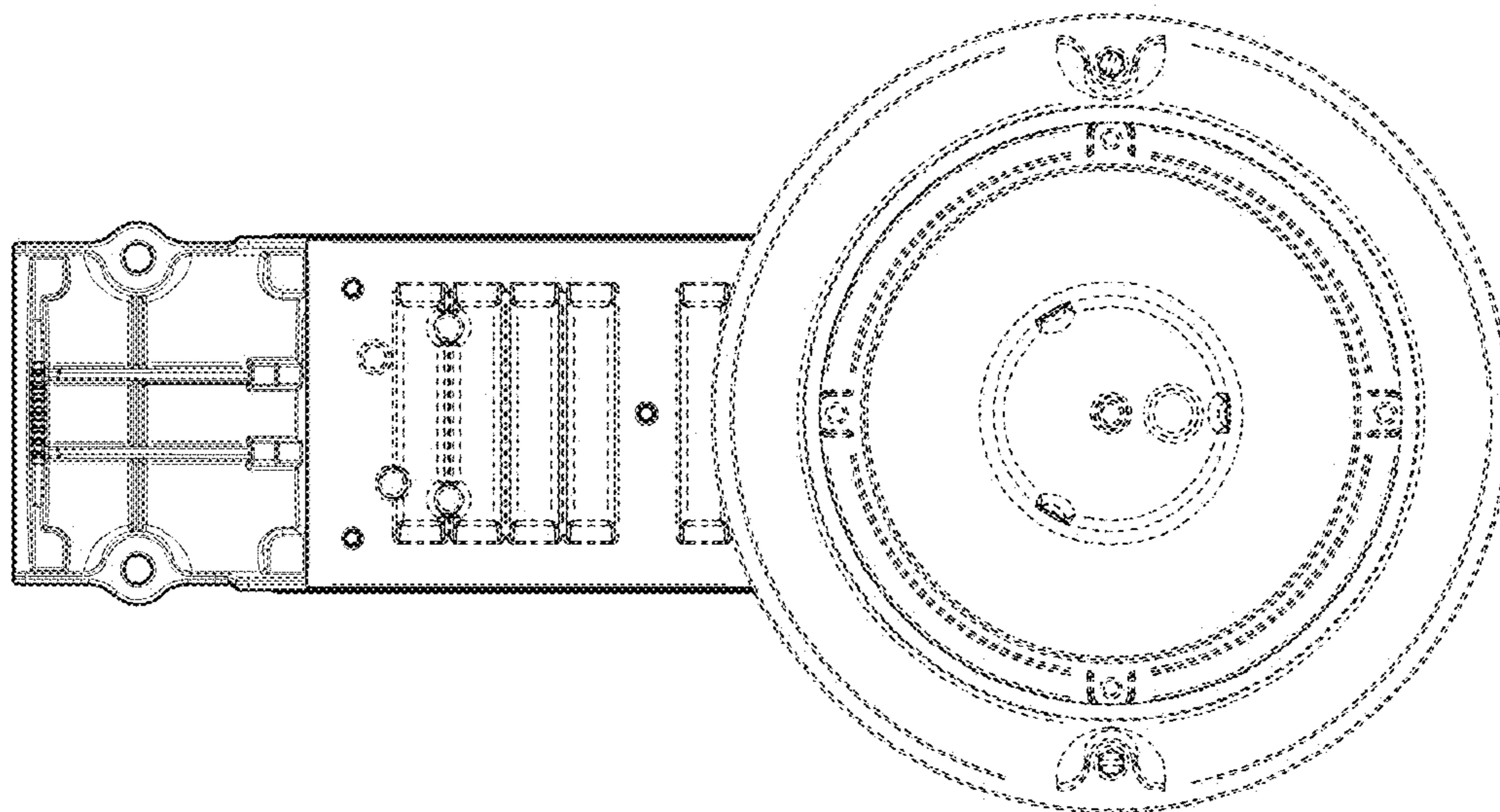


FIG. 13

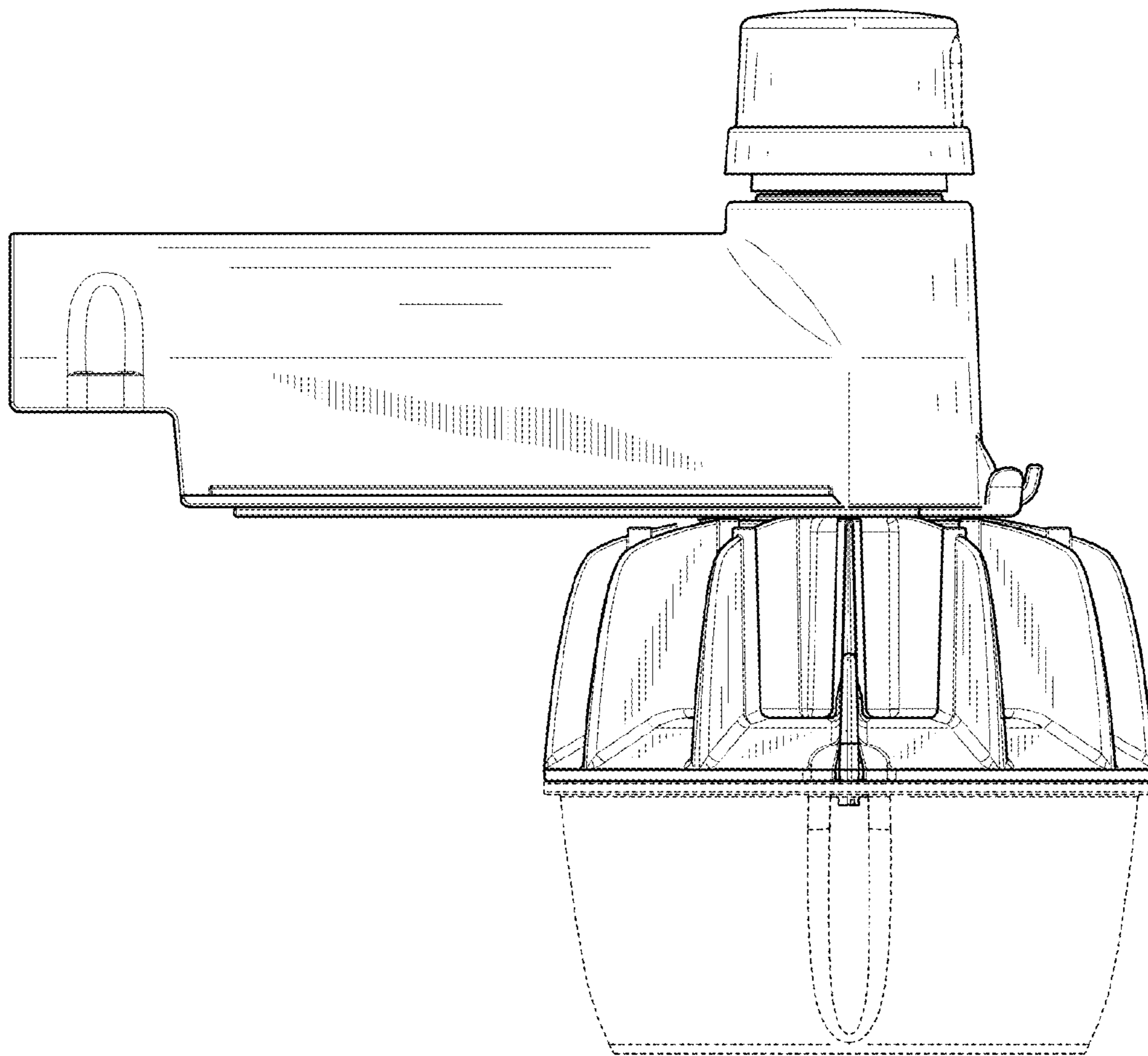


FIG. 14

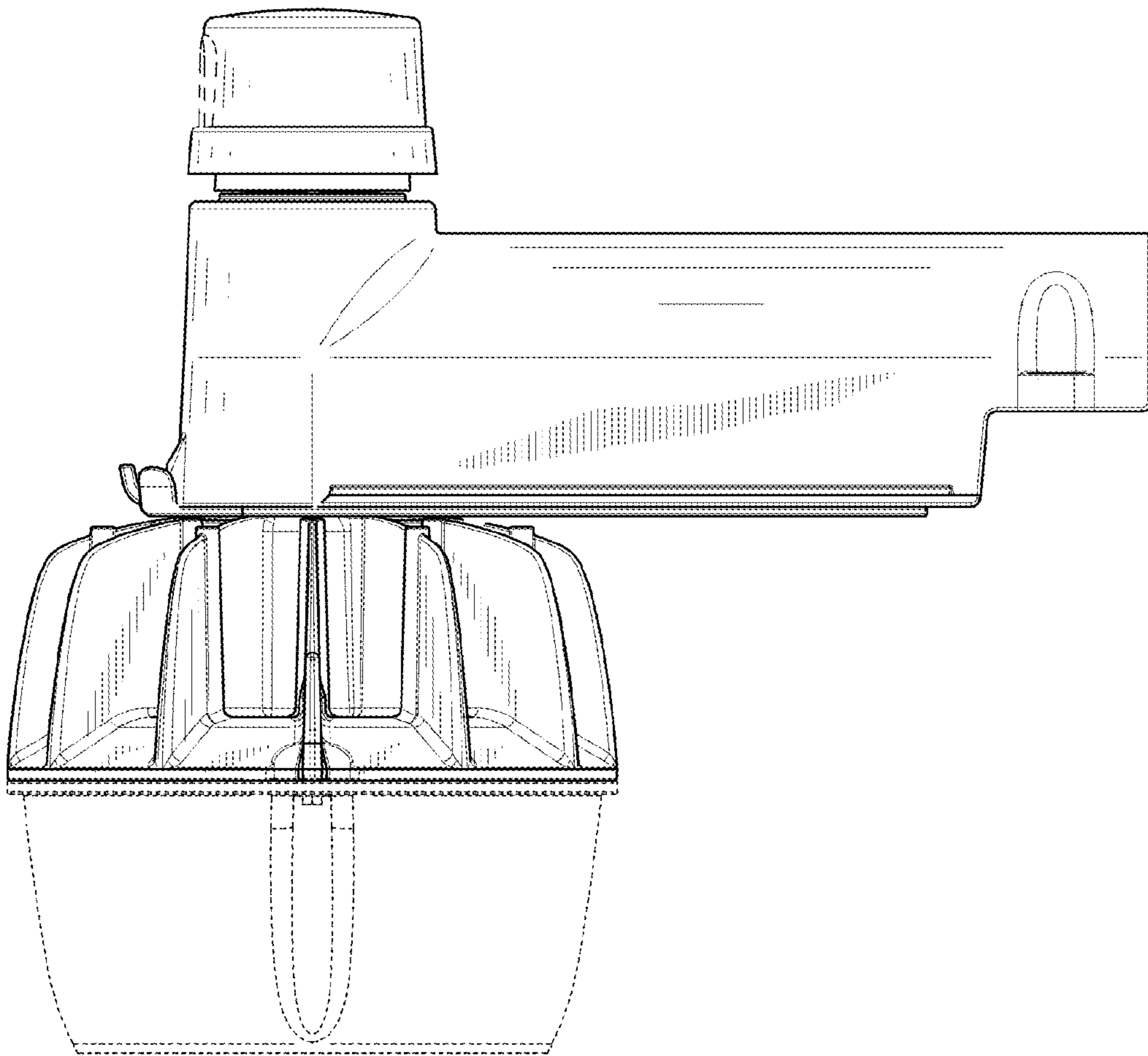




FIG. 15

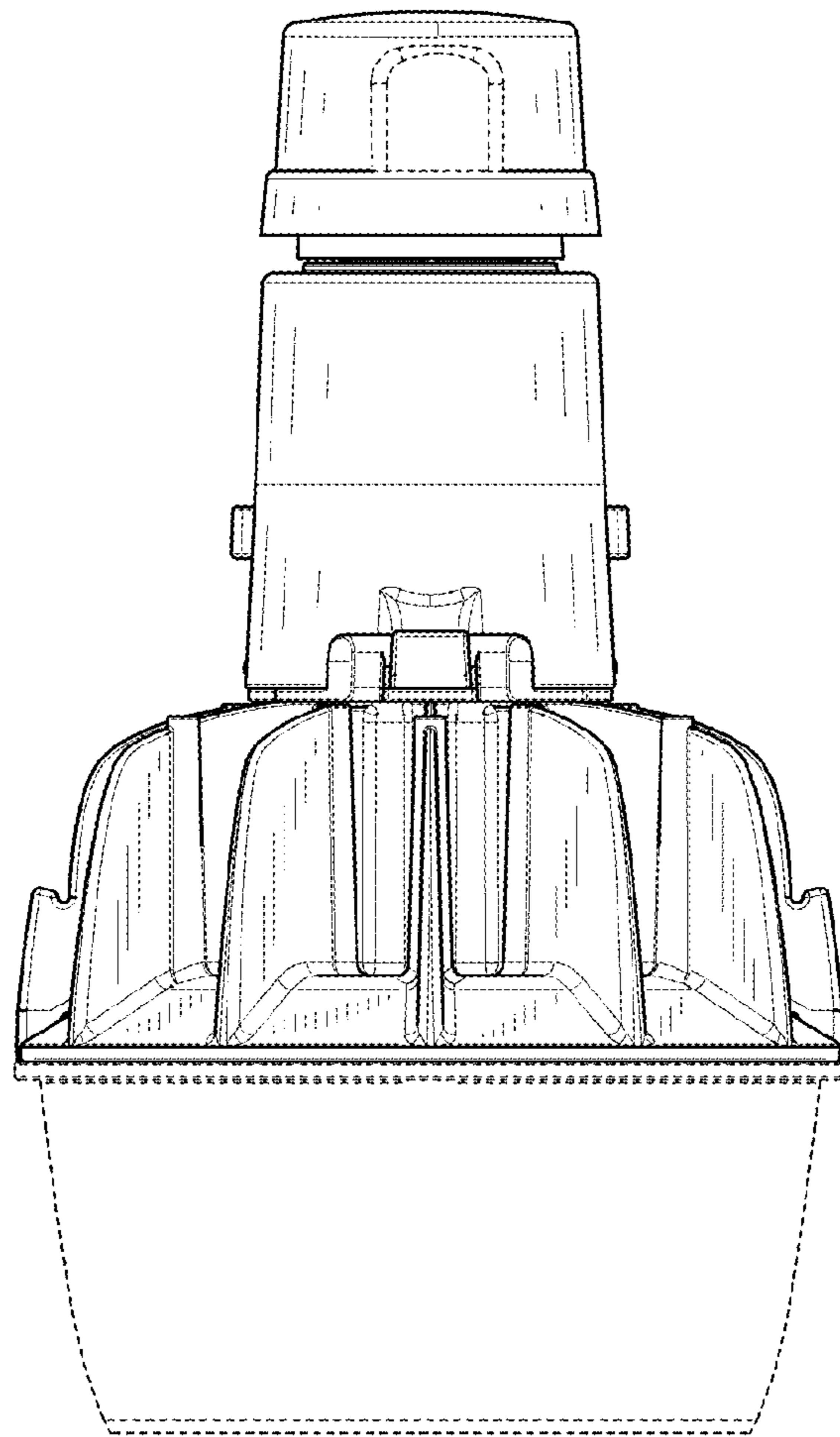


FIG. 16

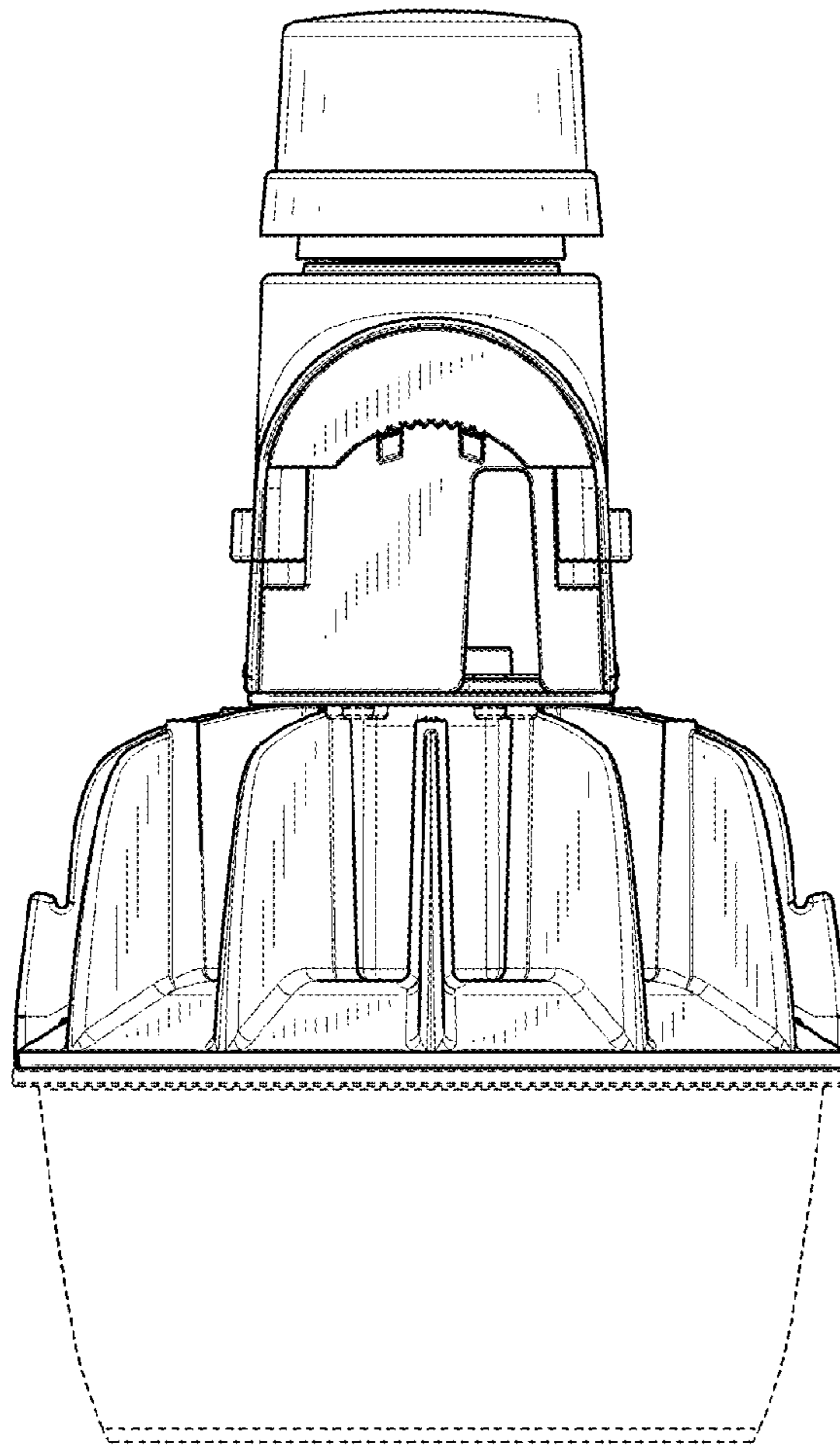


FIG. 17

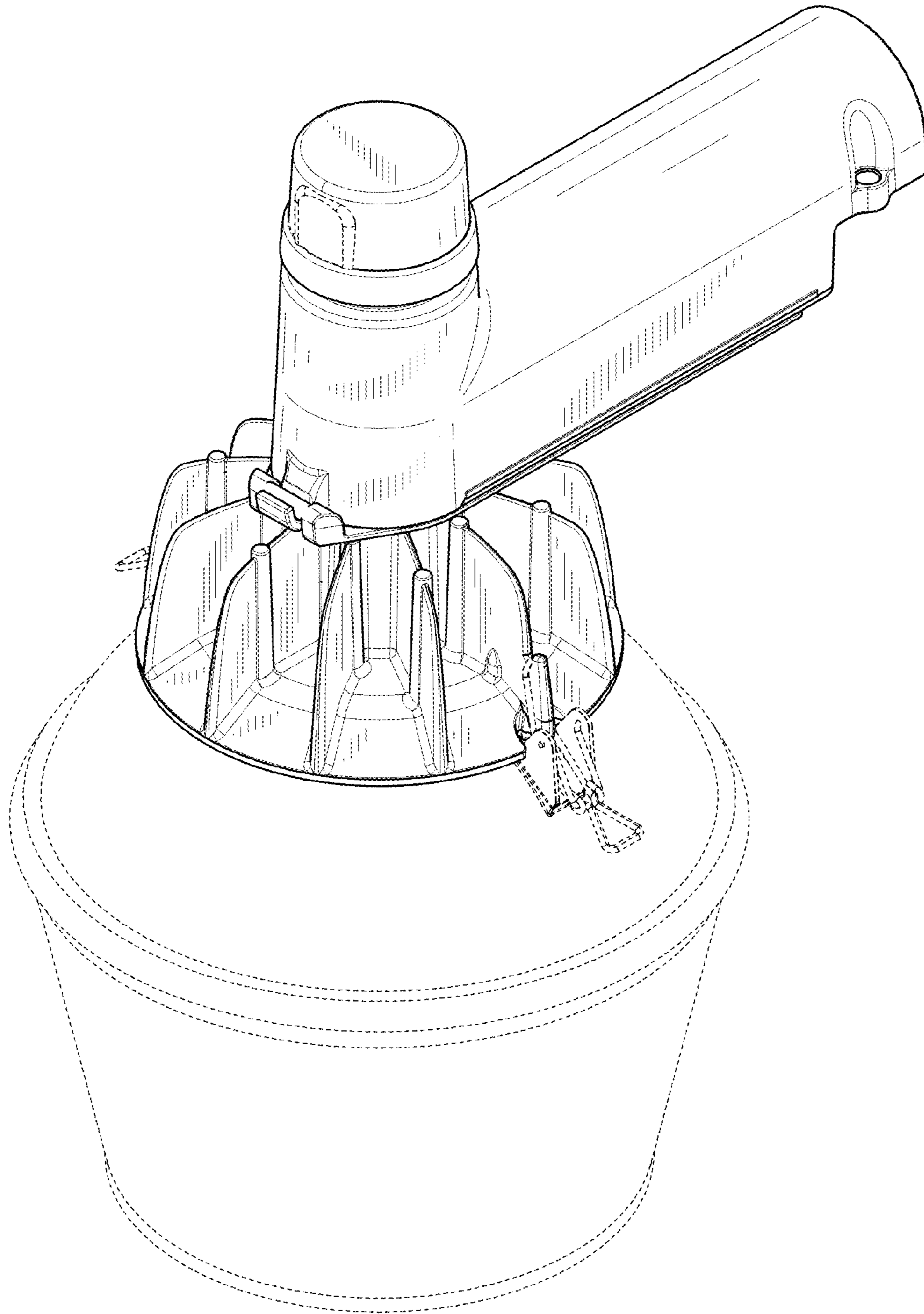


FIG. 18

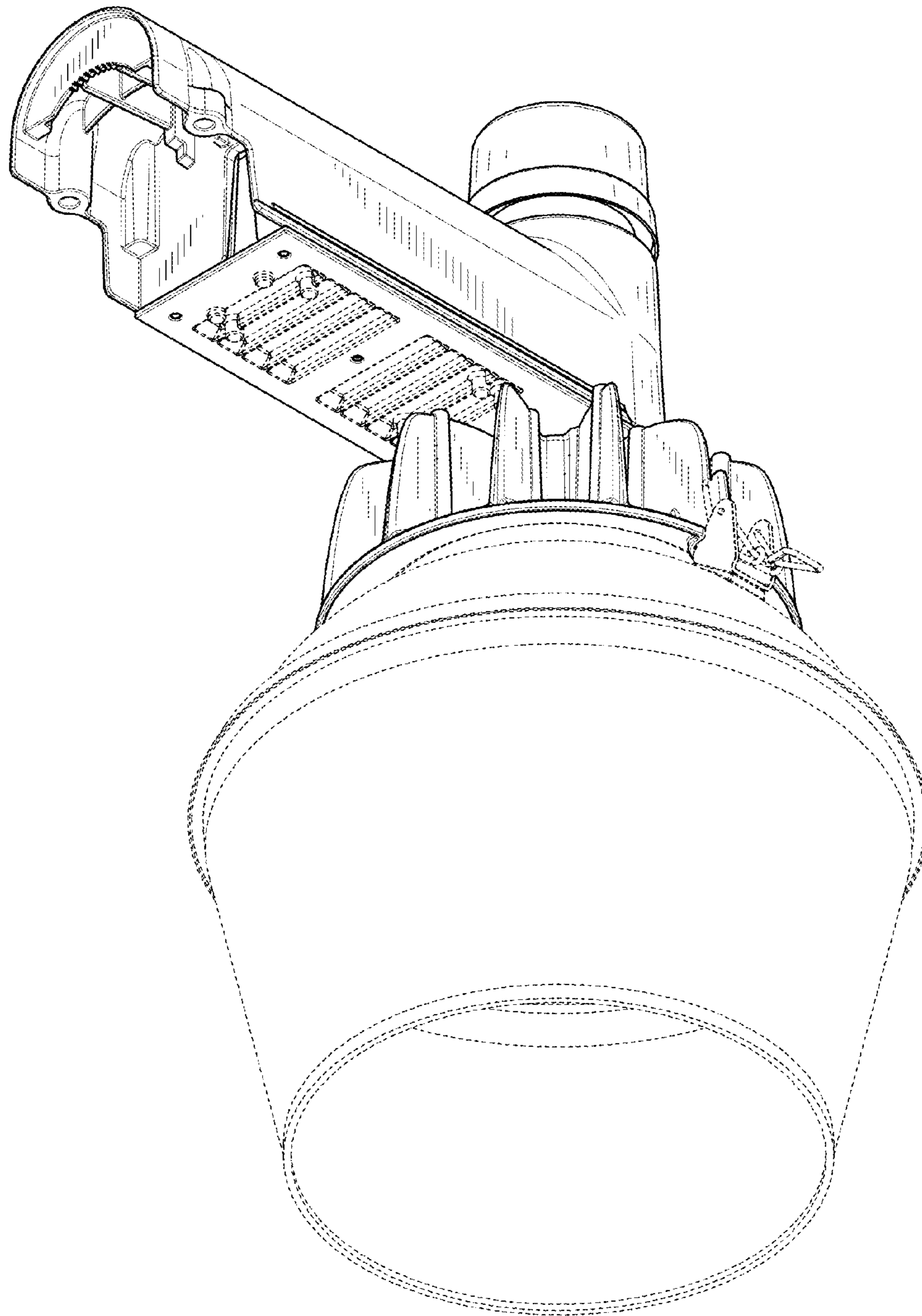




FIG. 19

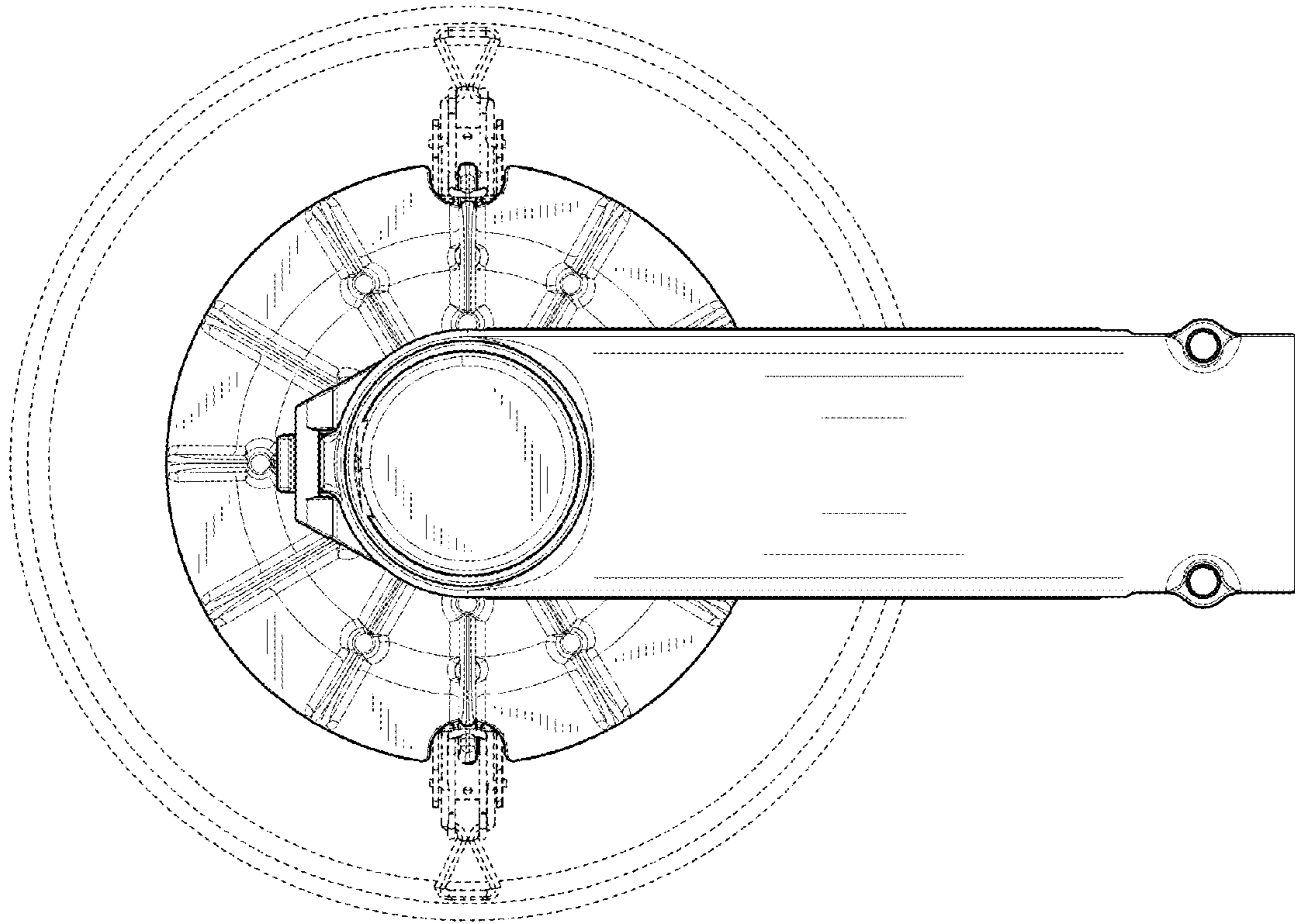


FIG. 20

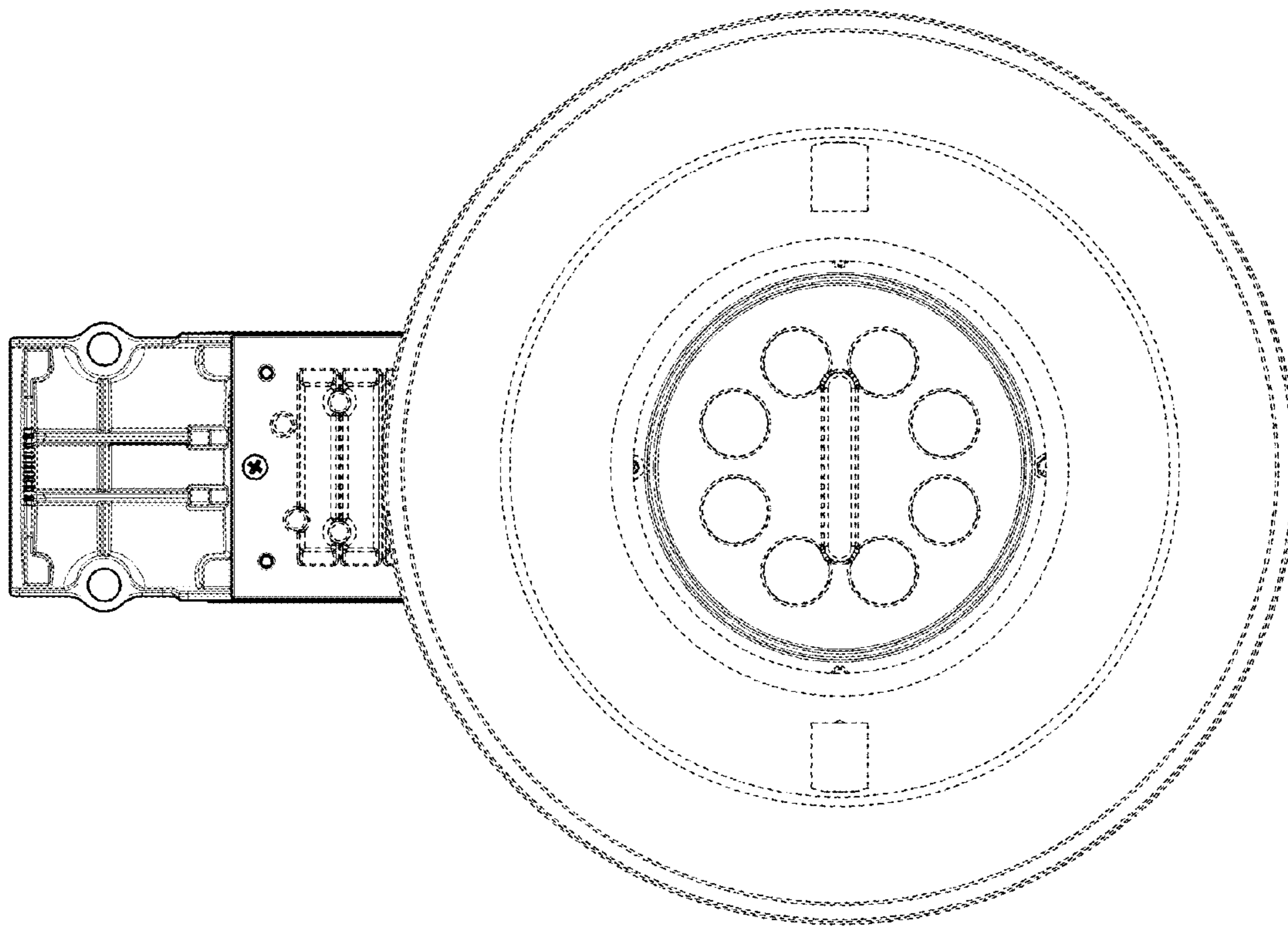


FIG. 21

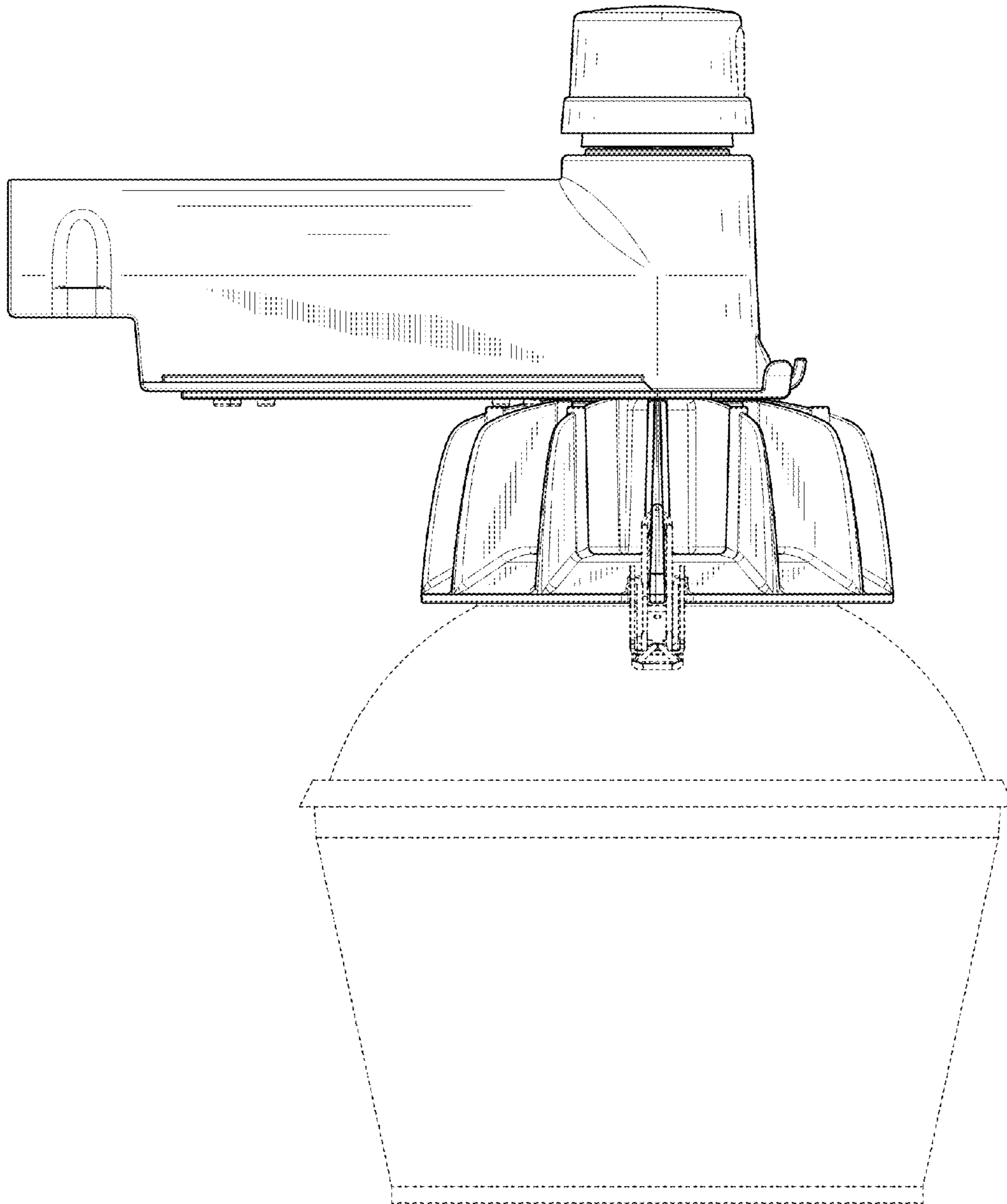


FIG. 22

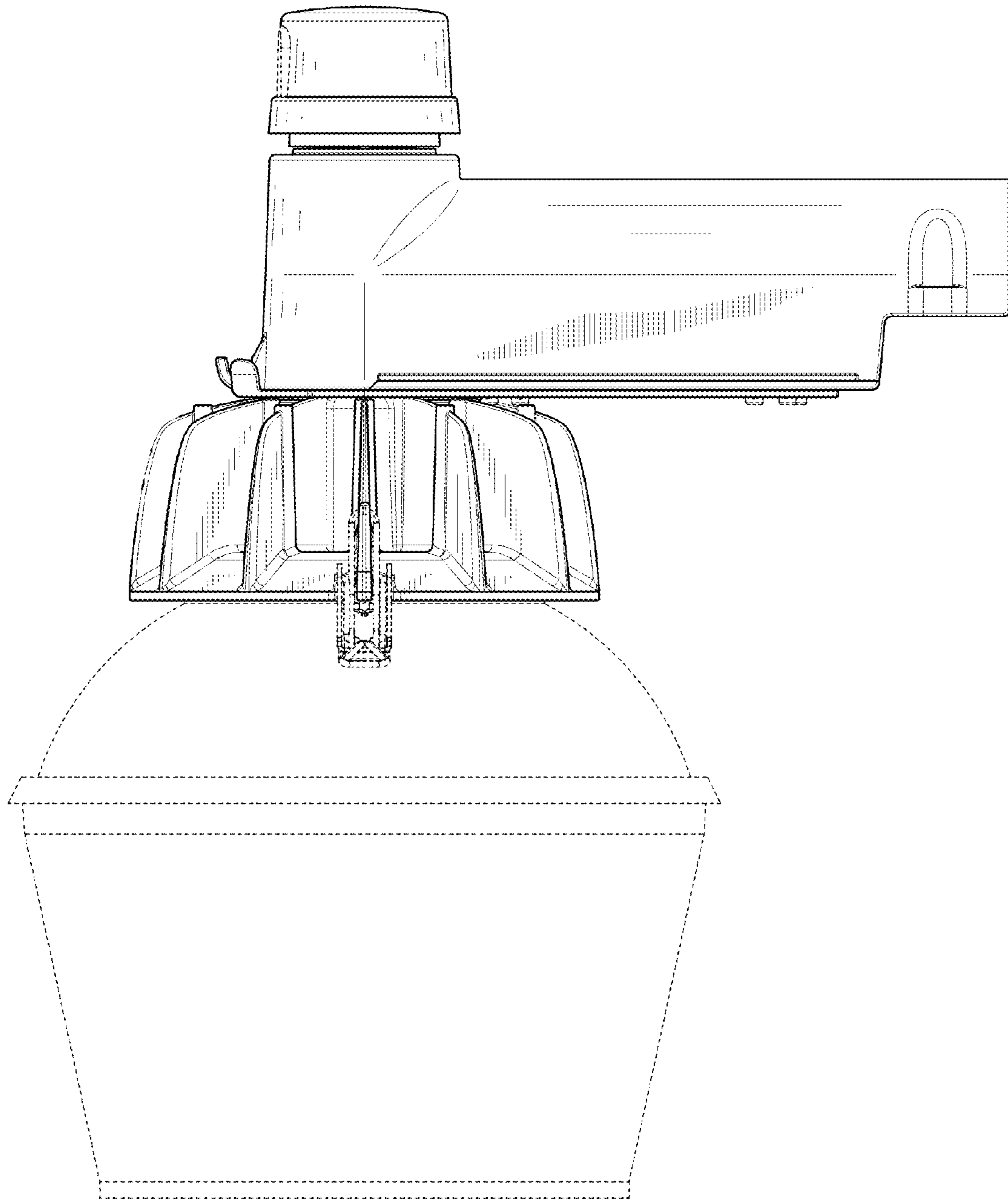




FIG. 23

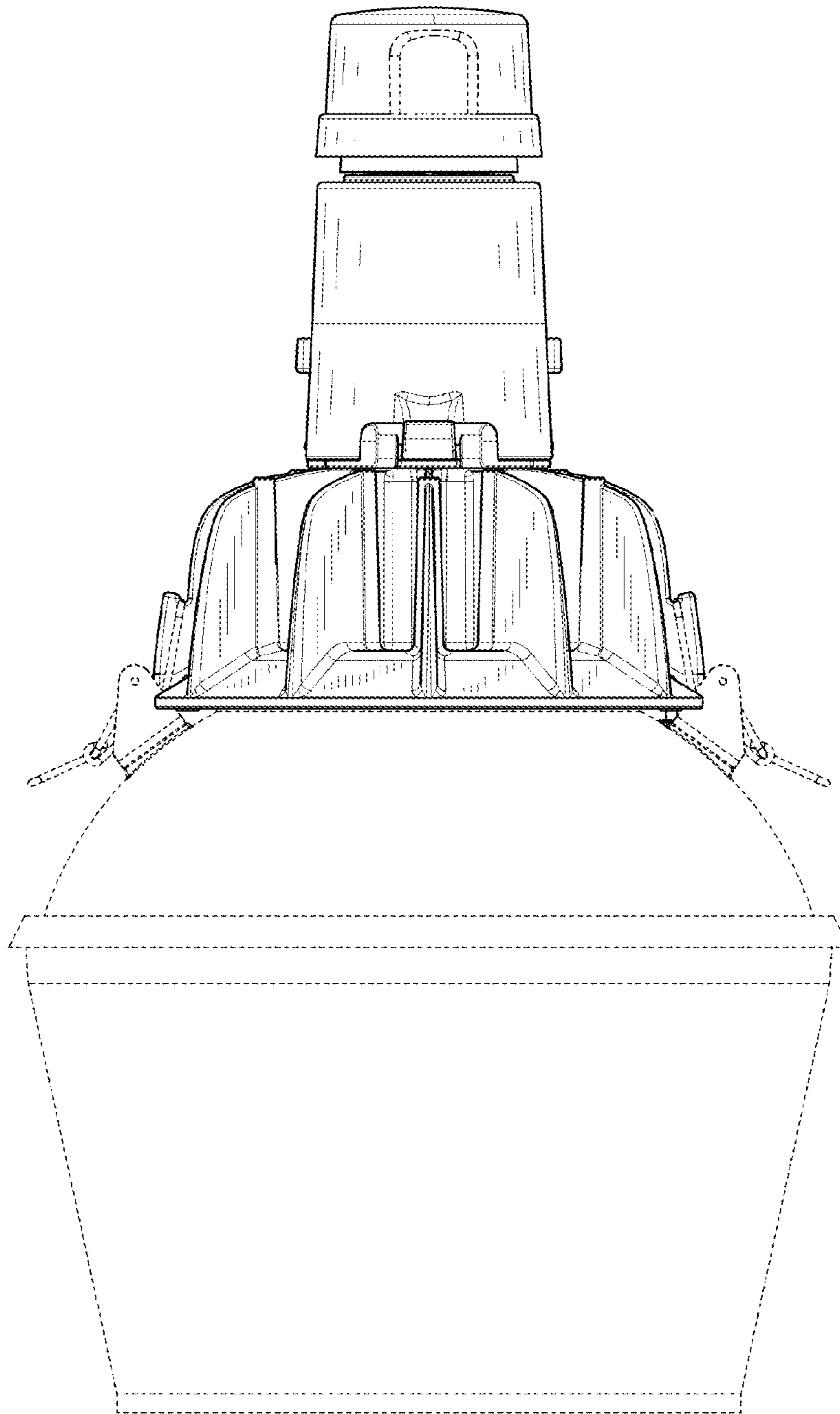


FIG. 24

