



US00D729431S

(12) **United States Design Patent**
Miller

(10) **Patent No.:** **US D729,431 S**

(45) **Date of Patent:** **** May 12, 2015**

(54) **LIGHTING DEVICE**

(71) Applicant: **Jason Miller**, Brooklyn, NY (US)

(72) Inventor: **Jason Miller**, Brooklyn, NY (US)

(**) Term: **14 Years**

(21) Appl. No.: **29/493,821**

(22) Filed: **Jun. 13, 2014**

(51) **LOC (10) Cl.** **26-03**

(52) **U.S. Cl.**
USPC **D26/88**

(58) **Field of Classification Search**
CPC F21W 2121/00; F21S 8/00; F21S 4/00
USPC D26/25, 80-92, 118; 362/147, 404-408
See application file for complete search history.

(56) **References Cited**

U.S. PATENT DOCUMENTS

D94,409	S	*	1/1935	Chapman	D26/107
2,017,075	A	*	10/1935	Logan et al.	362/307
D125,312	S	*	2/1941	Logan	D26/88
D127,833	S	*	6/1941	Price	D26/63
D231,679	S	*	5/1974	Keller	D26/87
D285,978	S	*	9/1986	Rice	D26/107
D390,680	S	*	2/1998	Giese et al.	D26/68
D541,970	S	*	5/2007	Blackman	D26/81
D565,779	S	*	4/2008	Meise et al.	D26/84
D618,677	S	*	6/2010	Andre et al.	
D690,872	S	*	10/2013	Meise et al.	D26/88
D690,873	S	*	10/2013	Meise et al.	D26/88
D711,579	S	*	8/2014	Watanabe	D26/88
D715,985	S	*	10/2014	Anastassiades	D26/88

* cited by examiner

Primary Examiner — Clare E Heflin

(74) *Attorney, Agent, or Firm* — Brian B. Shaw, Esq.;
Timothy W. Menasco, Esq.; Harter Secrest & Emery LLP

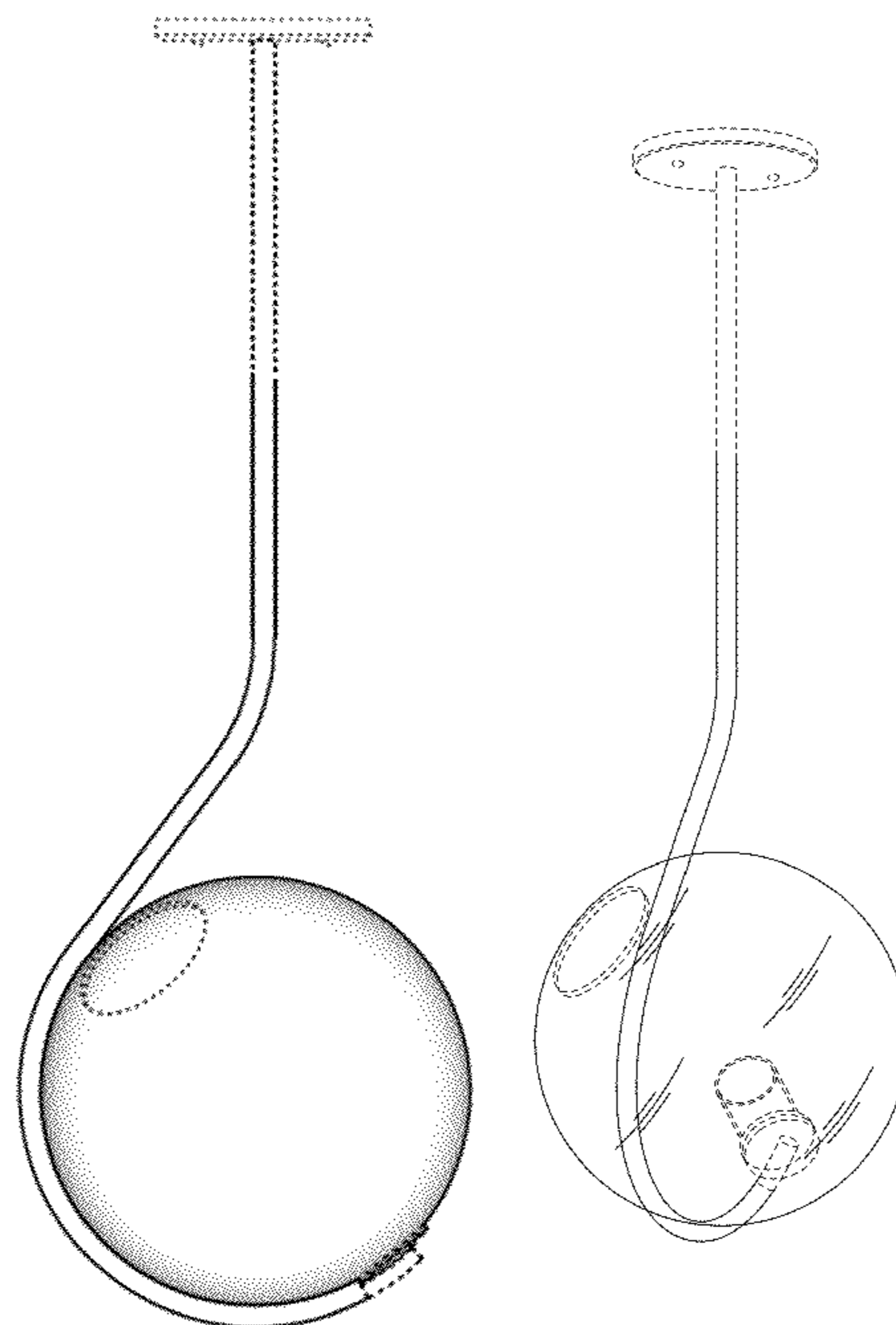
(57) **CLAIM**

The ornamental design for a lighting device, as shown and described.

DESCRIPTION

FIG. 1 is a left side view of a lighting device in accordance with the present invention;
 FIG. 2 is a front view thereof;
 FIG. 3 is a right side view thereof;
 FIG. 4 is a rear view thereof;
 FIG. 5 is a top view thereof;
 FIG. 6 is a bottom view thereof;
 FIG. 7 is a perspective view thereof;
 FIG. 8 is a left side view of an alternative embodiment of a lighting device in accordance with the present invention;
 FIG. 9 is a front side view of the alternative embodiment of a lighting device in accordance with the present invention;
 FIG. 10 is a left side view of the alternative embodiment of a lighting device in accordance with the present invention;
 FIG. 11 is a rear view of the alternative embodiment of a lighting device in accordance with the present invention;
 FIG. 12 is a top view of the alternative embodiment of a lighting device in accordance with the present invention;
 FIG. 13 is a bottom view of the alternative embodiment of a lighting device in accordance with the present invention; and,
 FIG. 14 is a perspective view of the alternative embodiment of a lighting device in accordance with the present invention.
 The lighting device is not limited to the scale shown herein. The broken lines of the Figures are for illustrative purposes only and form no part of the claimed design.

1 Claim, 12 Drawing Sheets



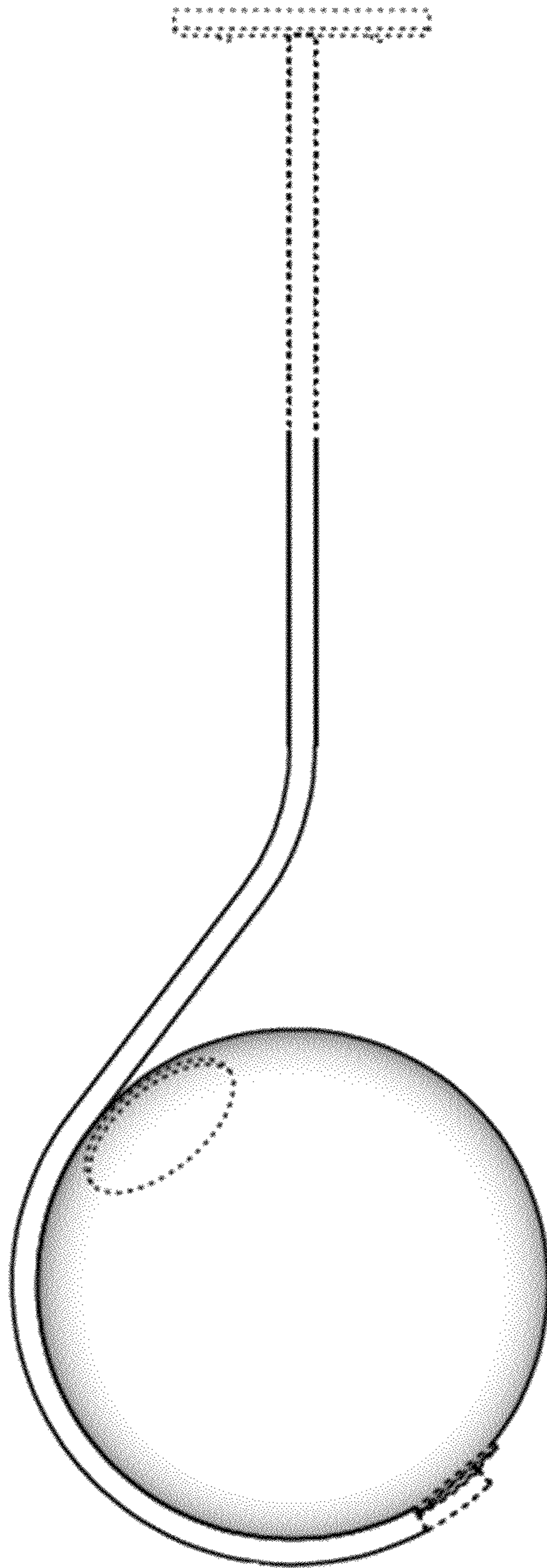


FIG. 1

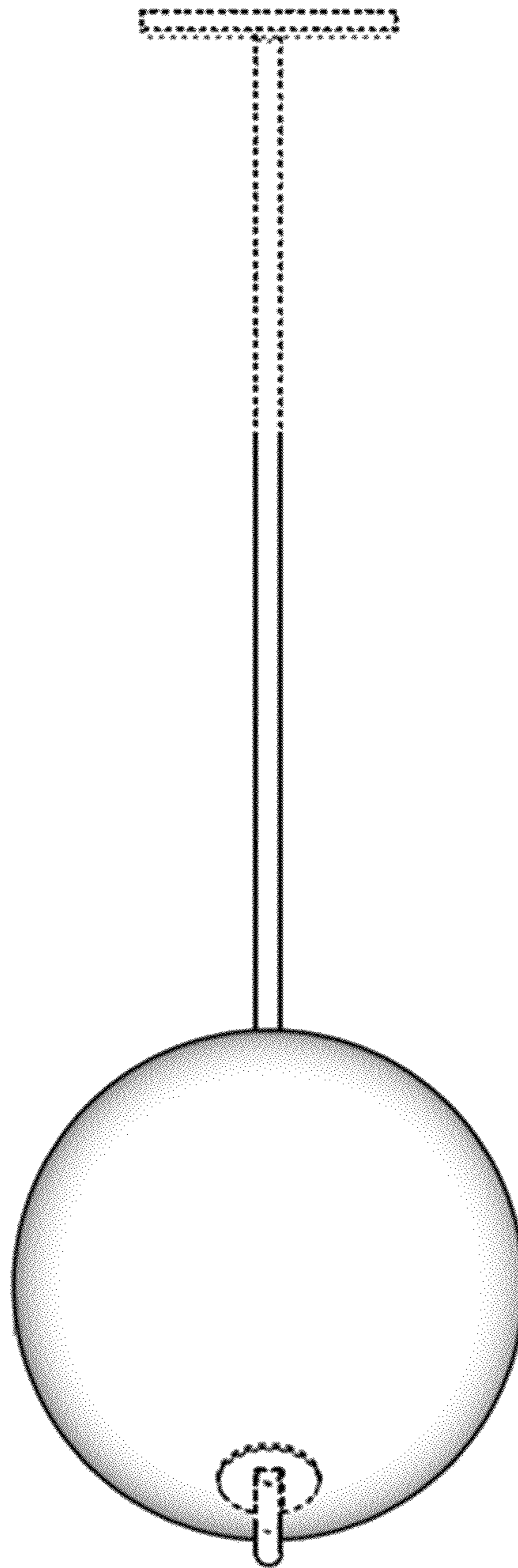


FIG. 2

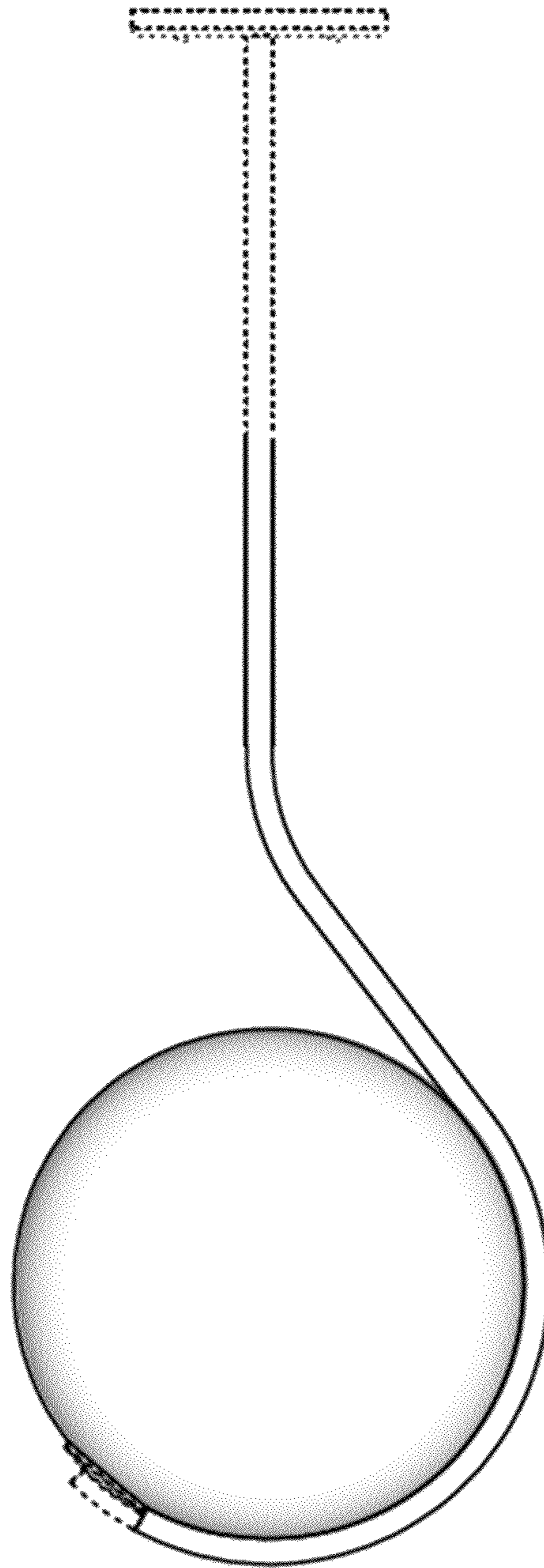


FIG. 3

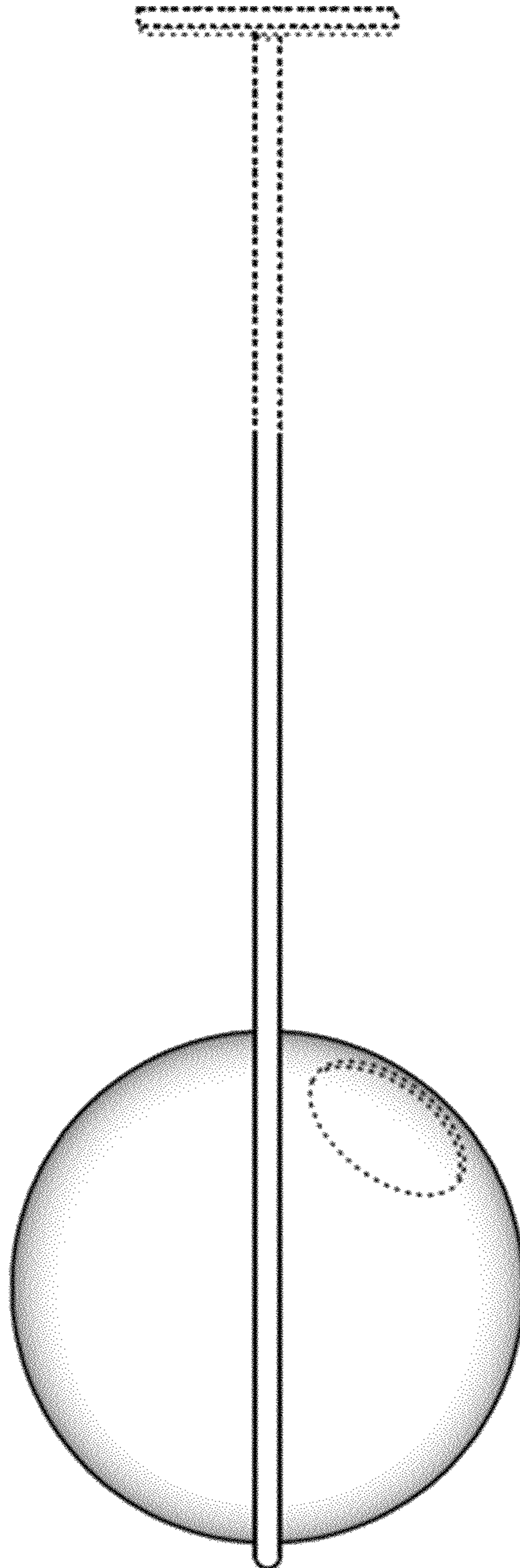


FIG. 4

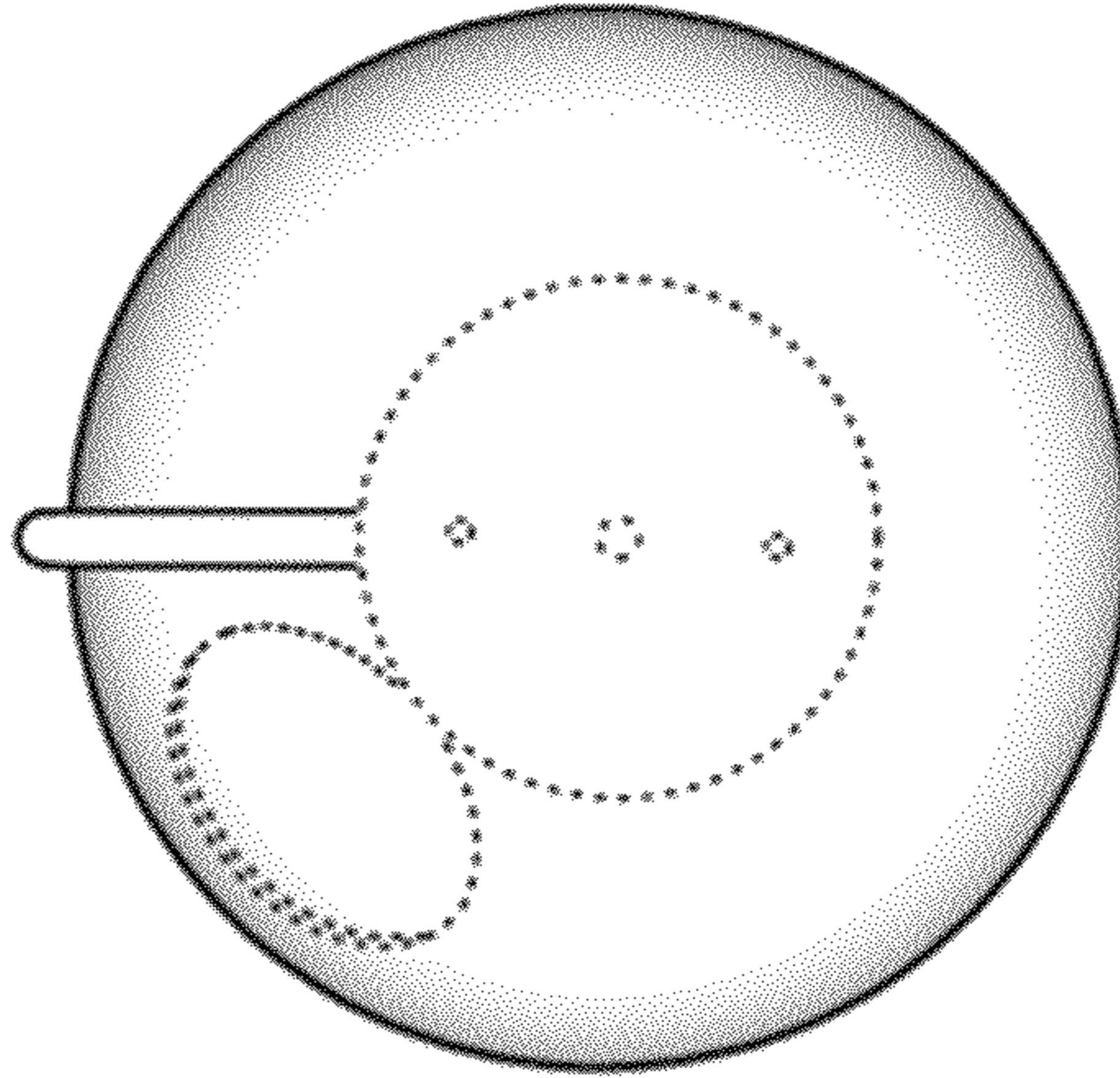


FIG. 5

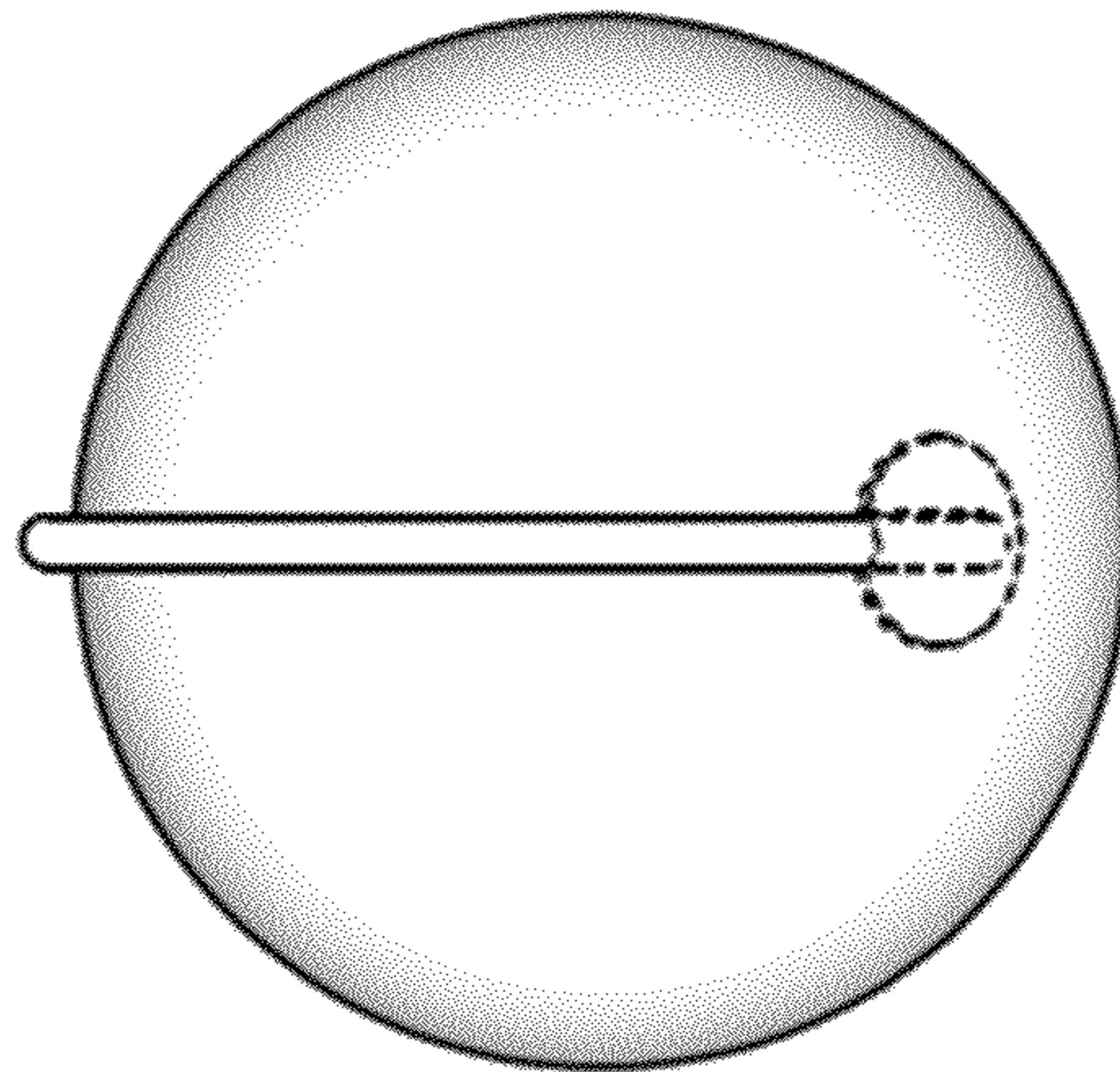


FIG. 6

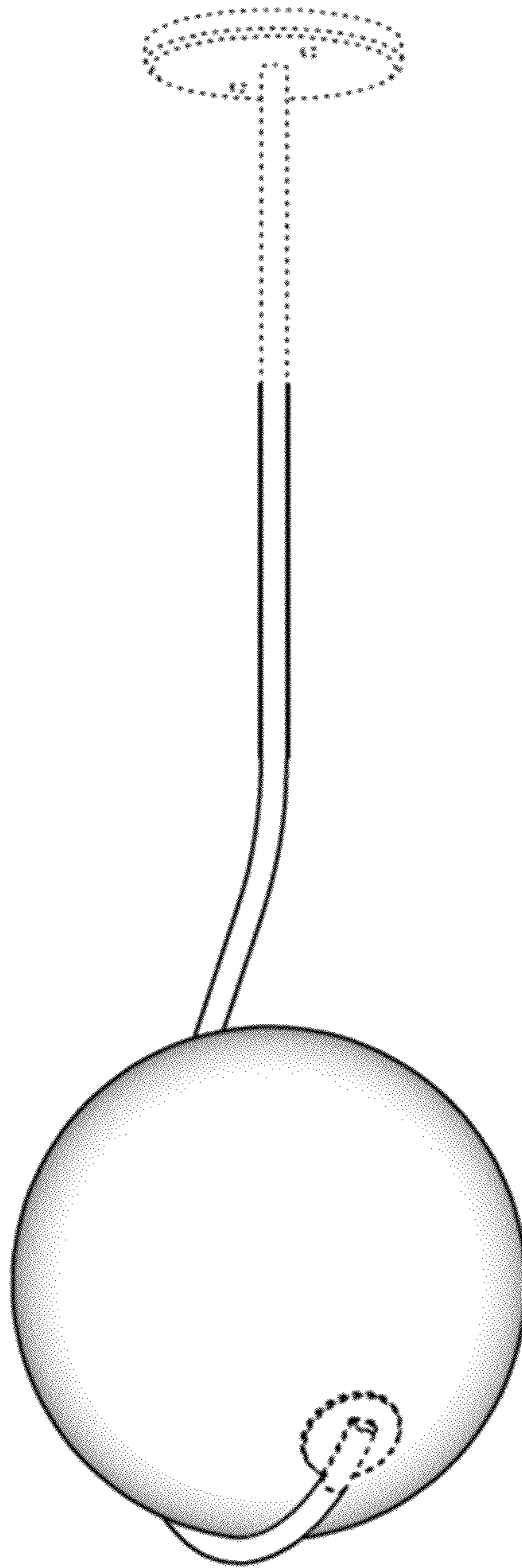


FIG. 7

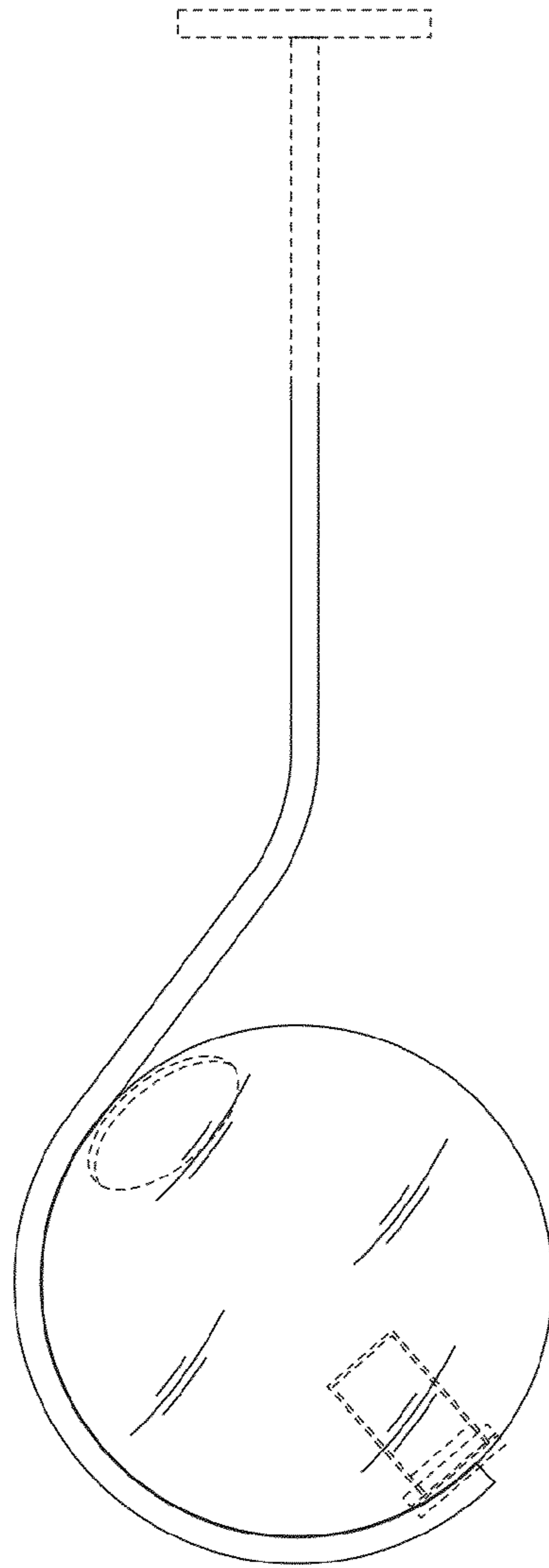


FIG. 8

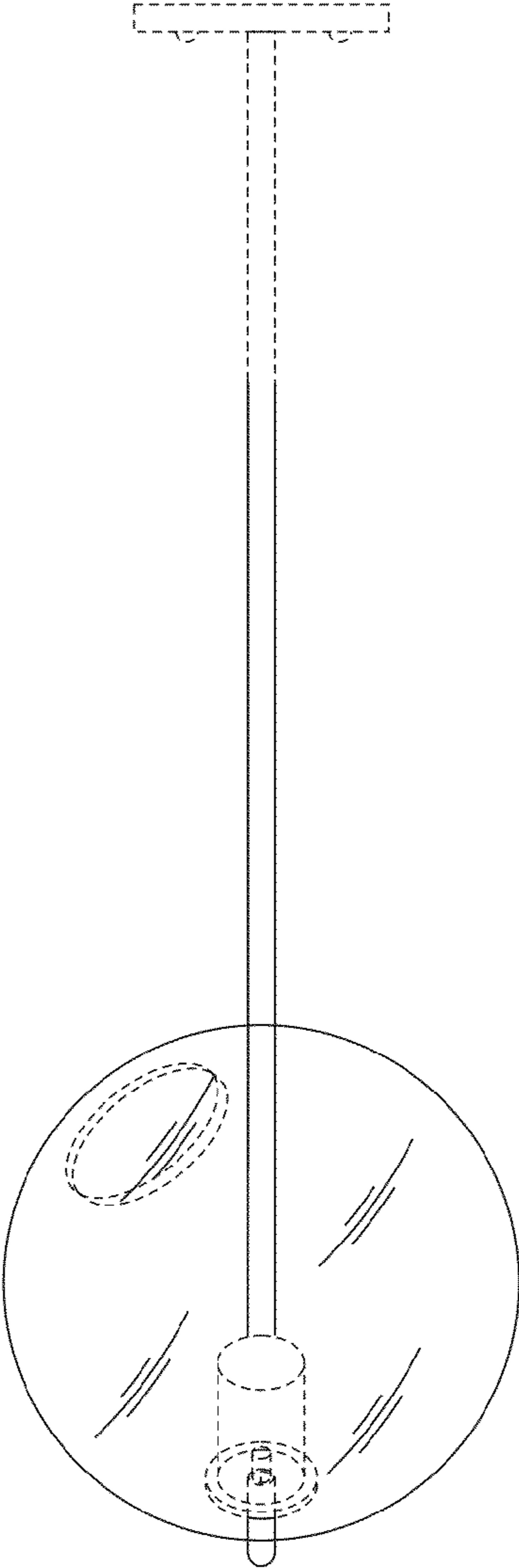


FIG. 9

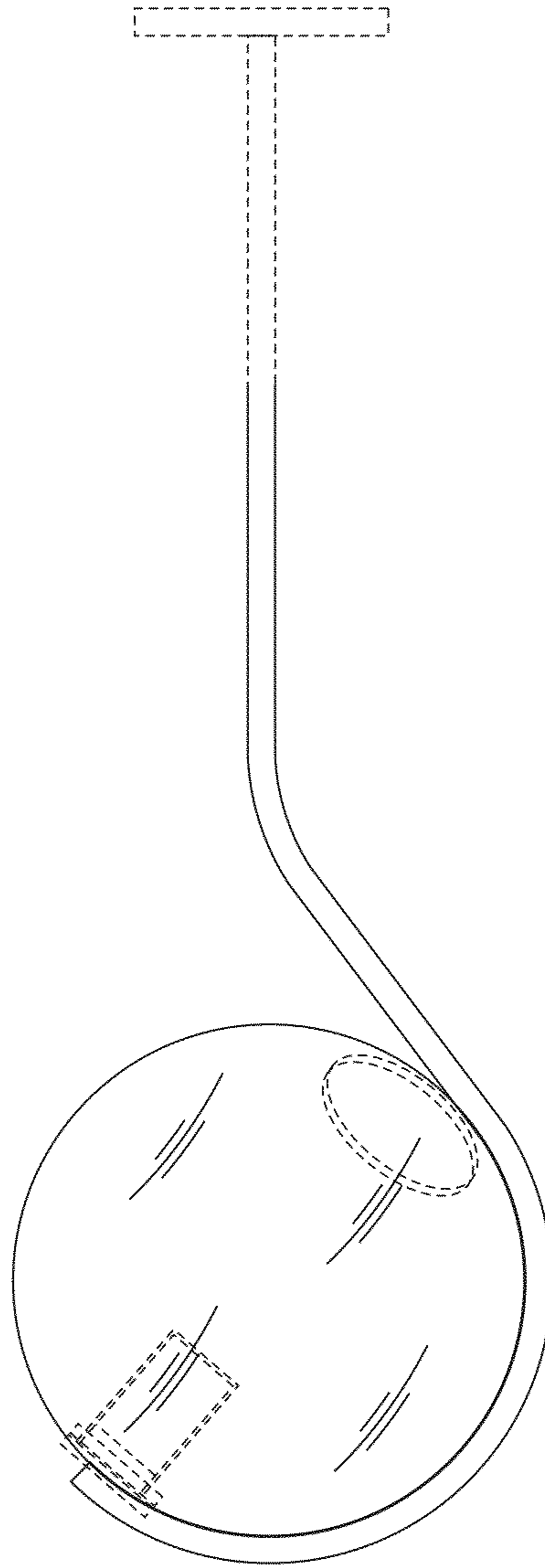


FIG. 10

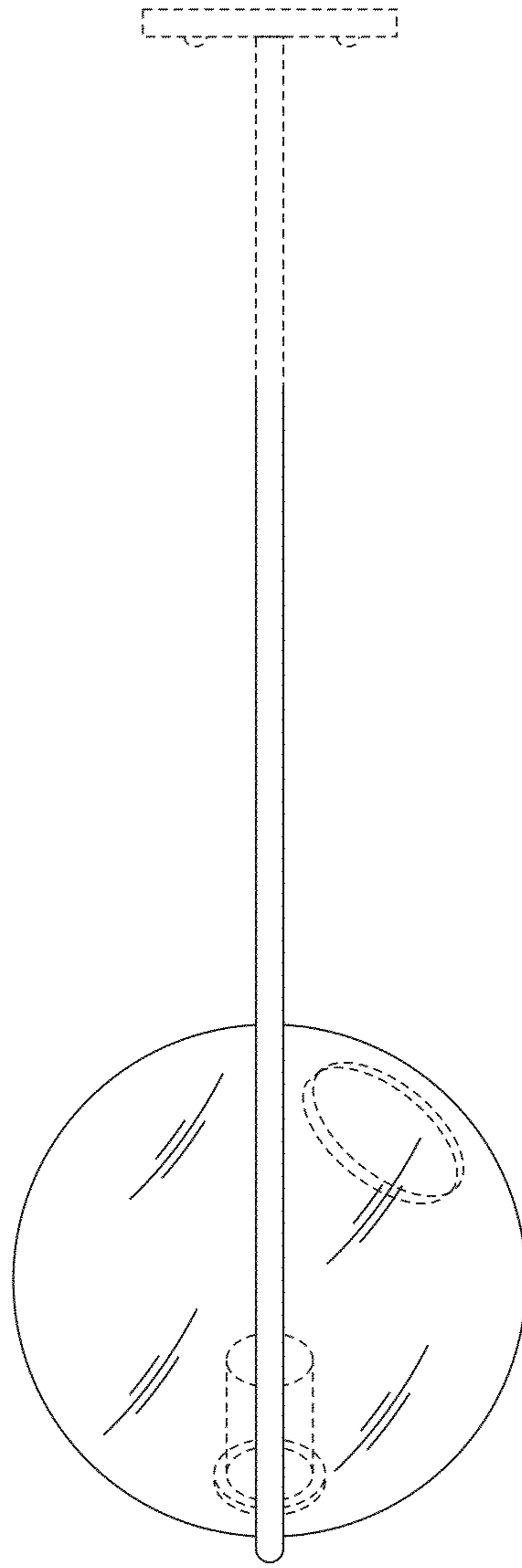


FIG. 11

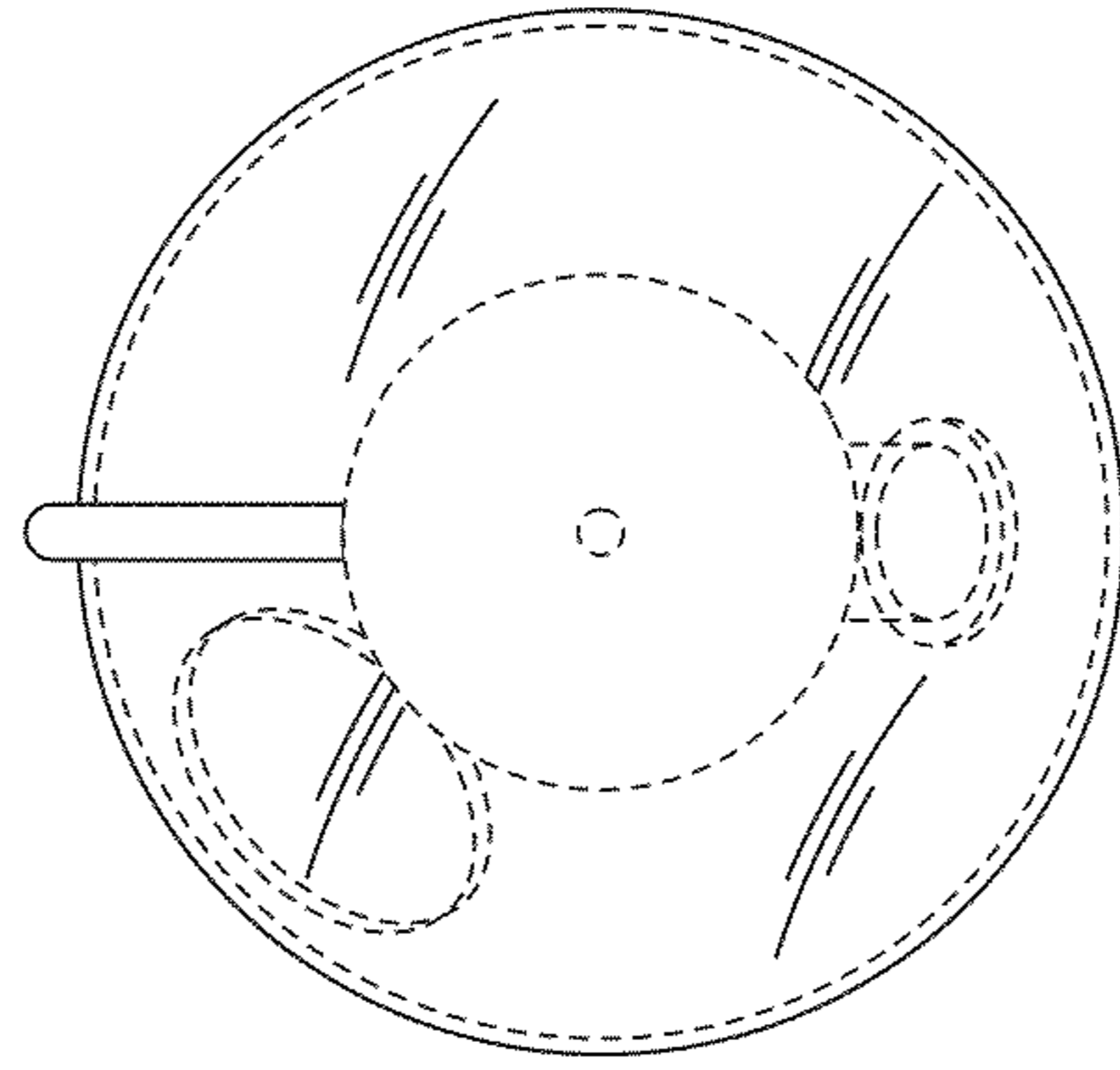


FIG. 12

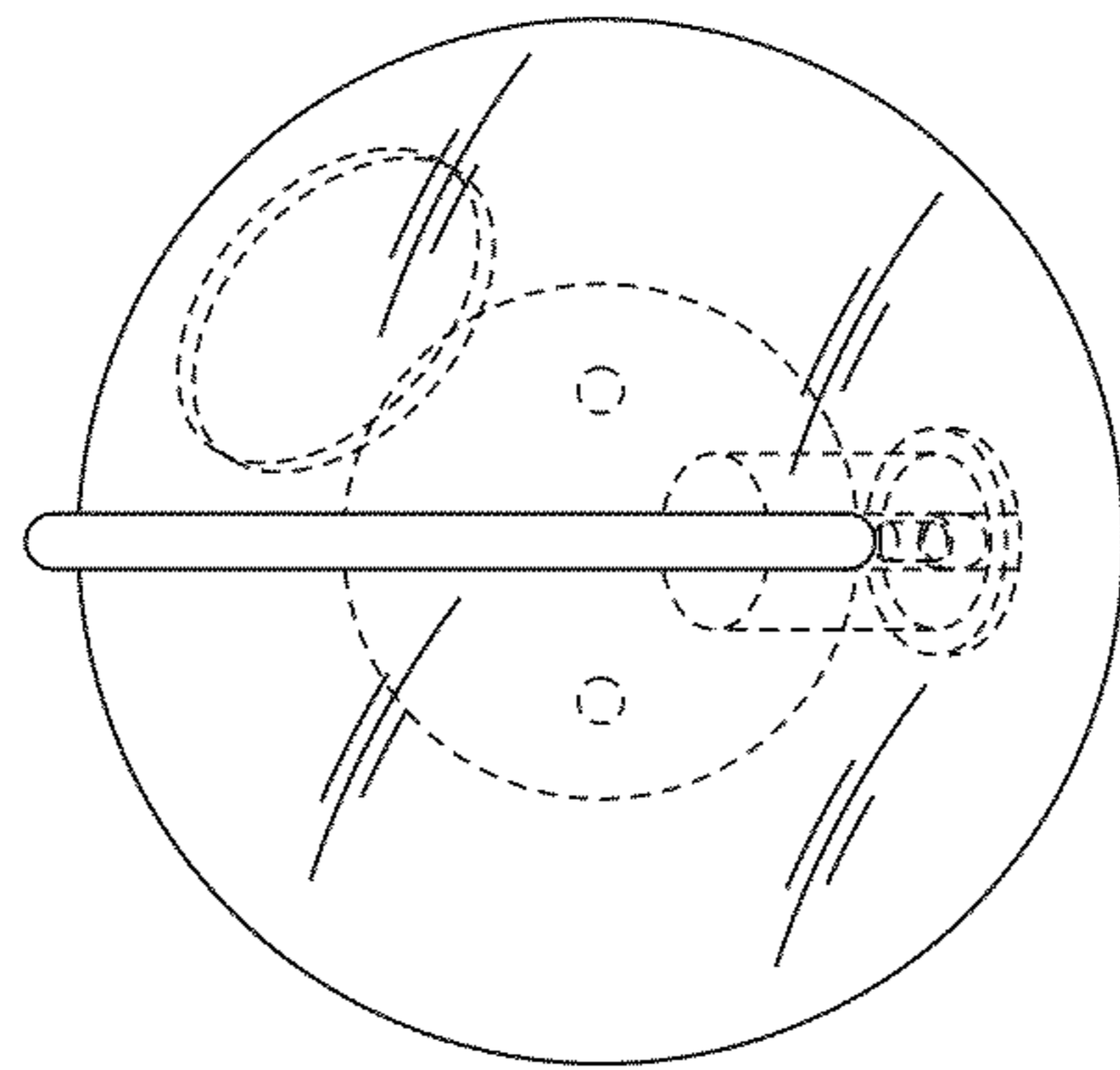


FIG. 13

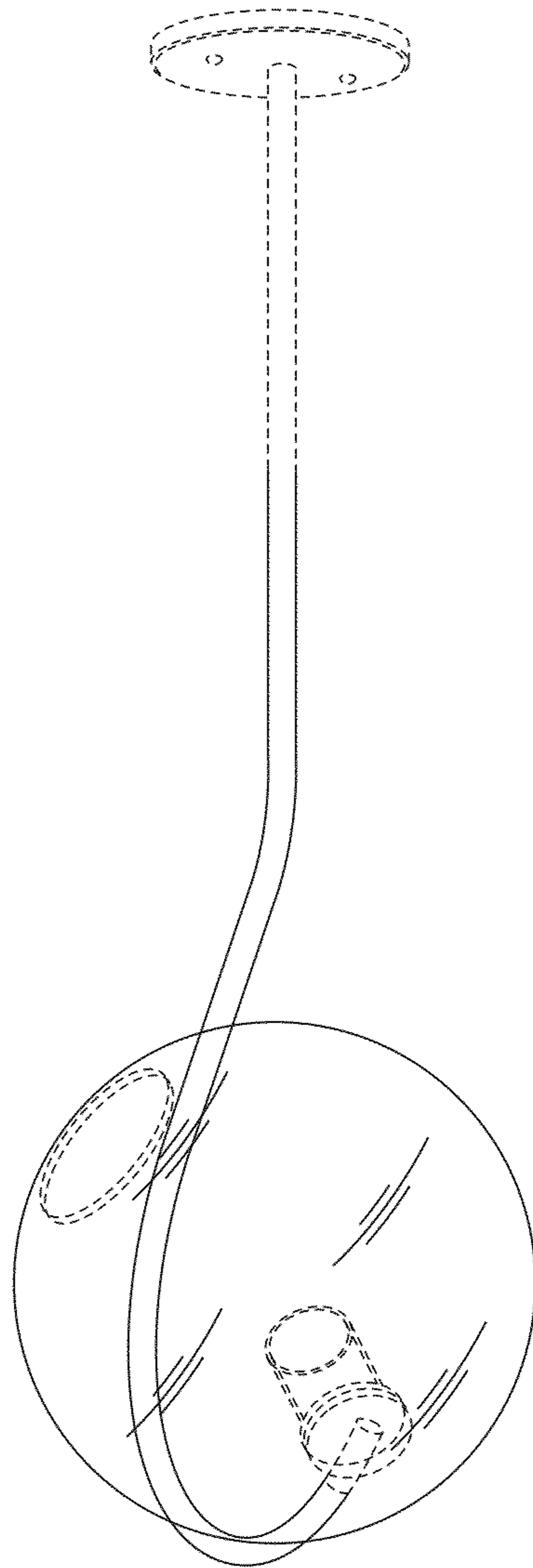


FIG. 14