

US00D729428S

(12) **United States Design Patent**  
**Shen**

(10) **Patent No.:** **US D729,428 S**

(45) **Date of Patent:** **\*\* May 12, 2015**

(54) **LED PORTABLE CAMPING LIGHT**

(71) Applicant: **Ningbo Taller Electrical Appliance Co., Ltd., Yuyao, Zhejiang (CN)**

(72) Inventor: **Jianli Shen, Zhejiang (CN)**

(73) Assignee: **Ningbo Taller Electrical Appliance Co., Ltd., Yuyao (CN)**

(\*\*) Term: **14 Years**

(21) Appl. No.: **29/454,438**

(22) Filed: **May 9, 2013**

(51) **LOC (10) Cl.** ..... **26-02**

(52) **U.S. Cl.**  
USPC ..... **D26/41**

(58) **Field of Classification Search**  
USPC ..... D26/37, 38, 40, 41, 44, 46, 48, 49, 50;  
362/157, 158, 171–174, 183, 184,  
362/194–196, 200–208, 253  
See application file for complete search history.

(56) **References Cited**

**U.S. PATENT DOCUMENTS**

- D529,647 S \* 10/2006 Shiu ..... D26/40
- D537,967 S \* 3/2007 Lo et al. .... D26/40
- D612,084 S \* 3/2010 Hillard ..... D26/40

- D627,089 S \* 11/2010 Loibl ..... D26/40
- D628,325 S \* 11/2010 Houghton ..... D26/41
- D639,469 S \* 6/2011 Zhuang ..... D26/37
- D651,731 S \* 1/2012 Xu ..... D26/37
- D658,324 S \* 4/2012 Reimann et al. .... D26/40
- D694,444 S \* 11/2013 Poon ..... D26/40
- D695,434 S \* 12/2013 Shen ..... D26/41

\* cited by examiner

*Primary Examiner* — Ian Simmons

*Assistant Examiner* — Carissa C Fitts

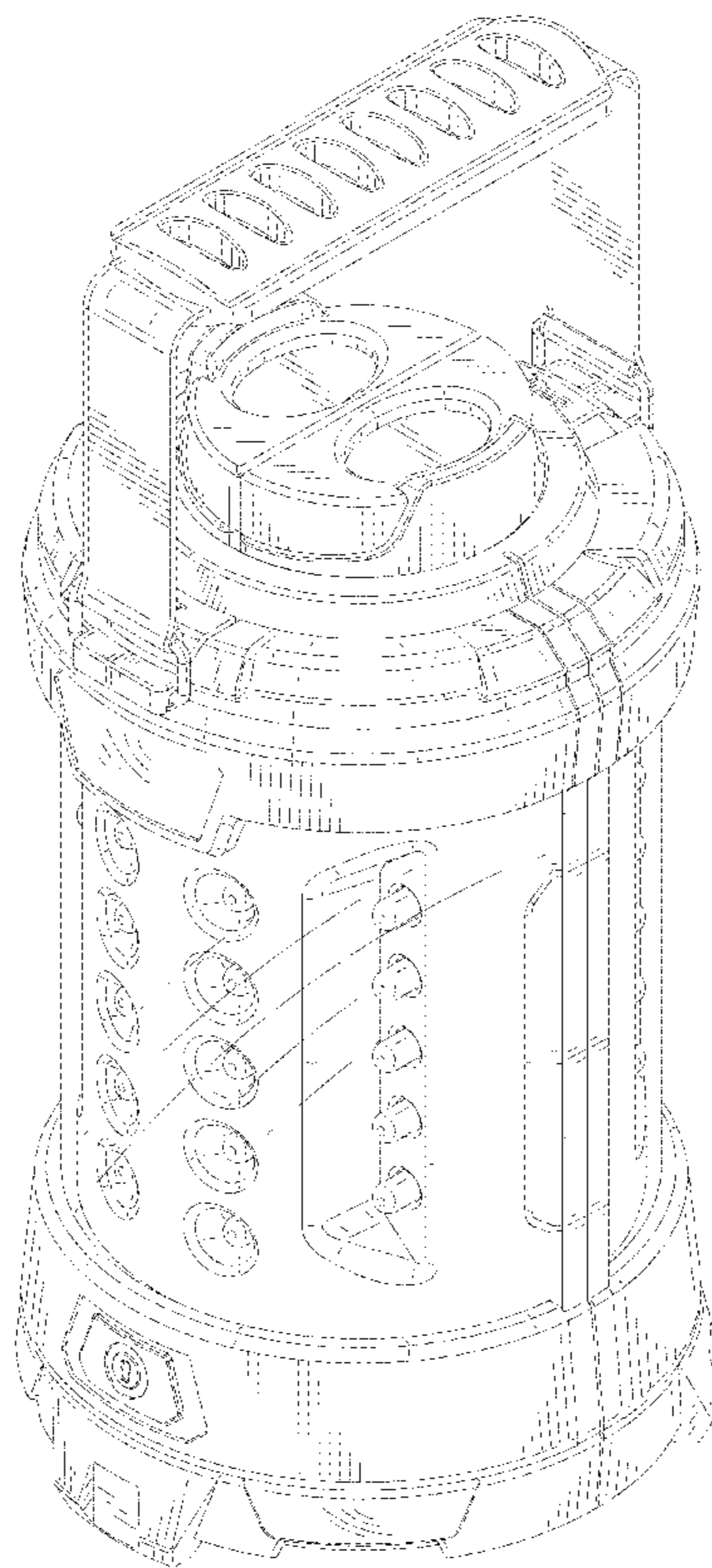
(57) **CLAIM**

The ornamental design for a LED portable camping light, as shown and described.

**DESCRIPTION**

FIG. 1 is a top perspective view of a LED portable camping light of my new design;  
 FIG. 2 is a bottom perspective view thereof;  
 FIG. 3 is a front view thereof;  
 FIG. 4 is a rear view thereof;  
 FIG. 5 is a top view thereof;  
 FIG. 6 is a bottom view thereof;  
 FIG. 7 is a left view thereof; and,  
 FIG. 8 is a right view thereof.  
 The broken line showing is for environmental purposes only and forms no part of the claimed design.

**1 Claim, 8 Drawing Sheets**



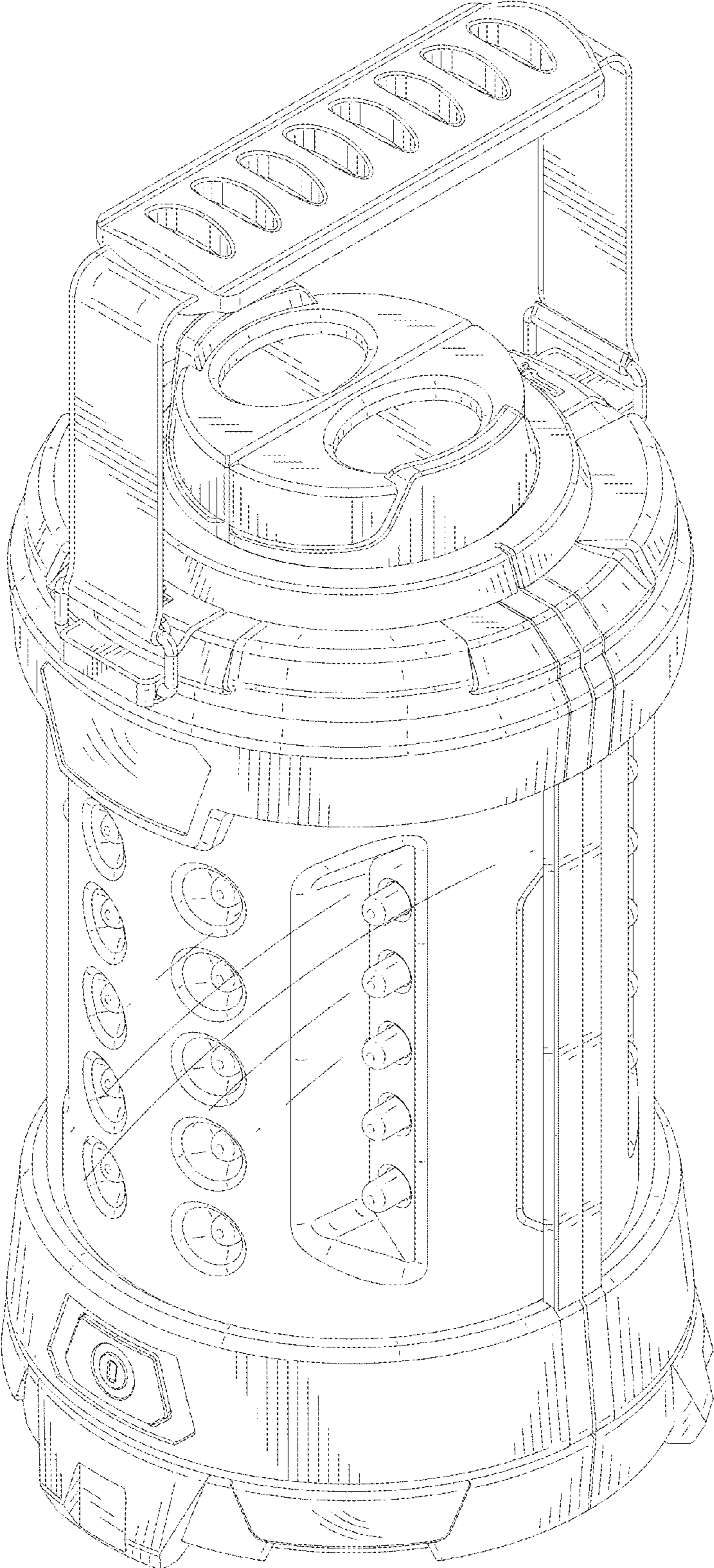


FIG.1



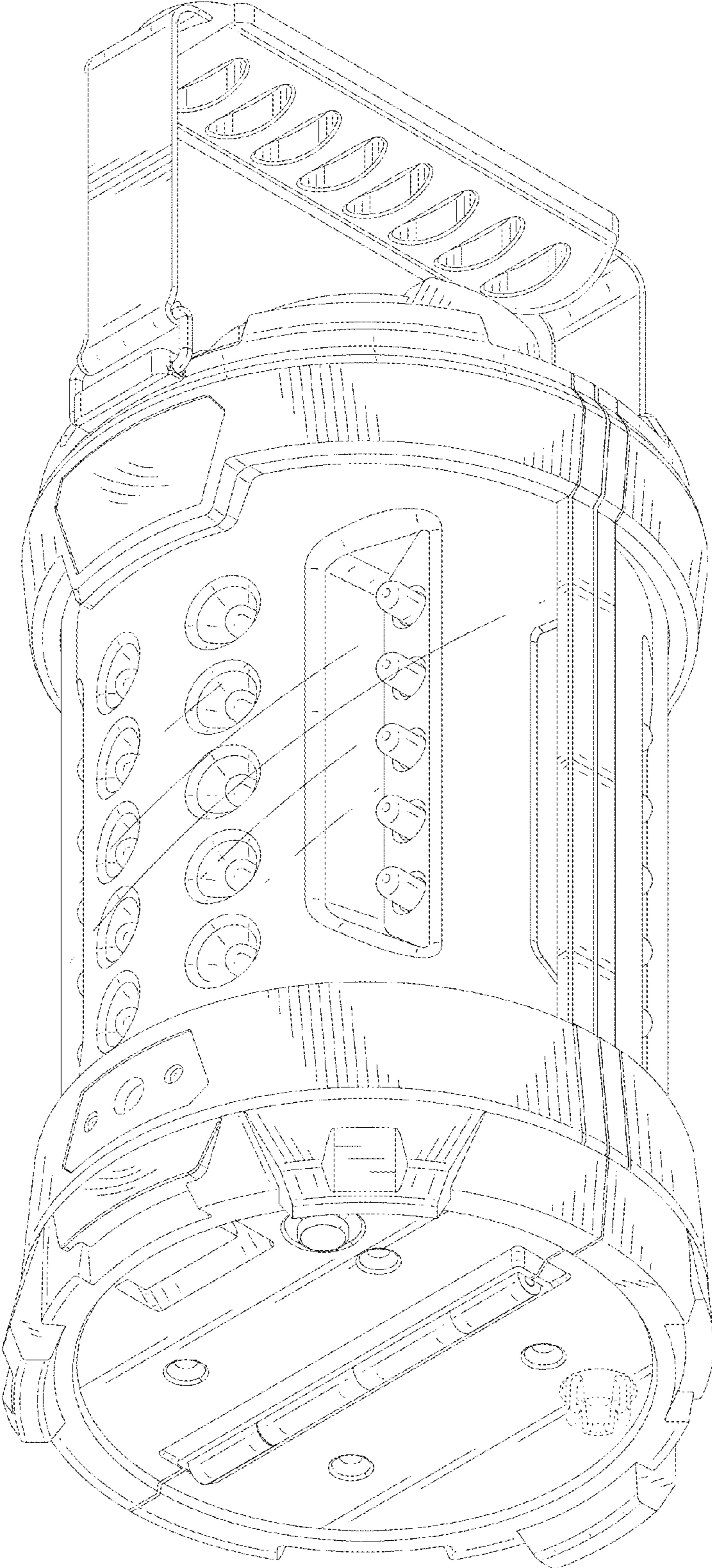


FIG.2

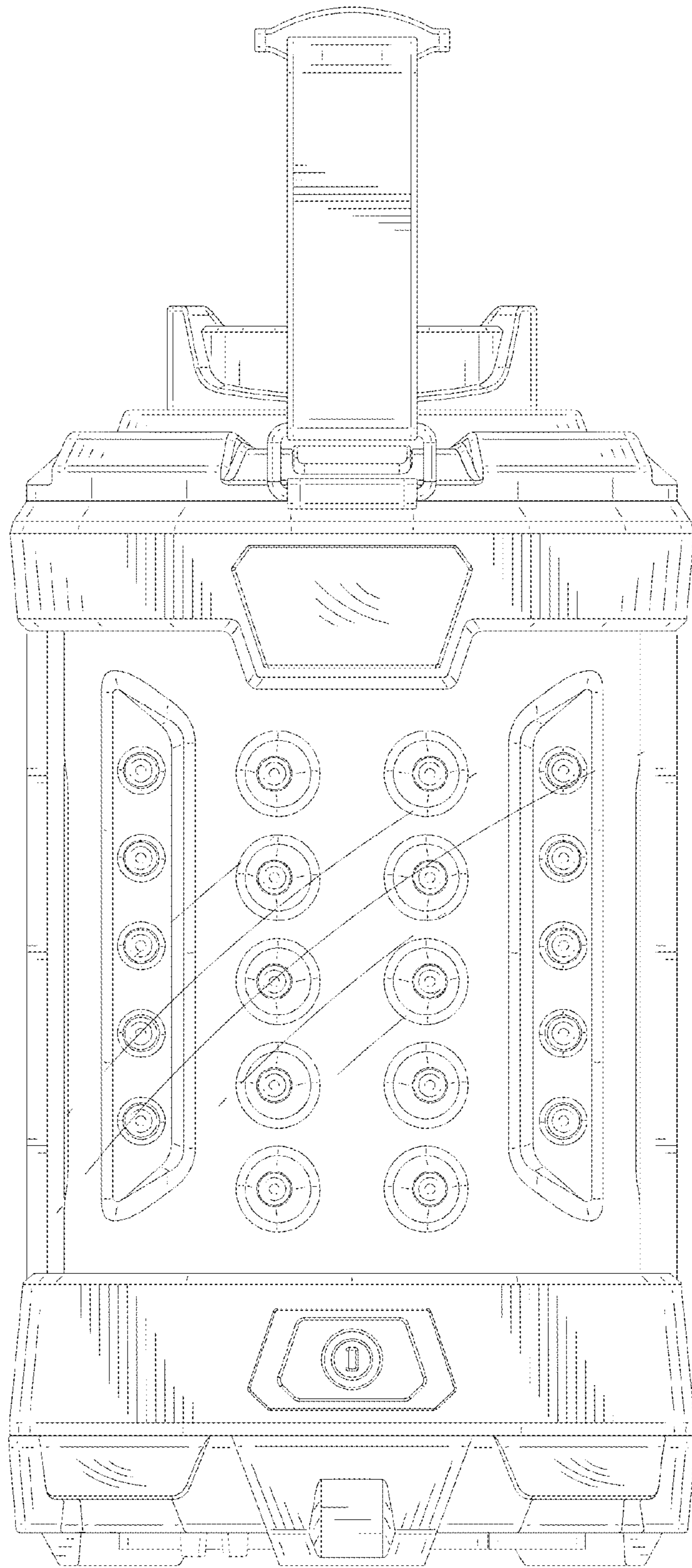


FIG.3

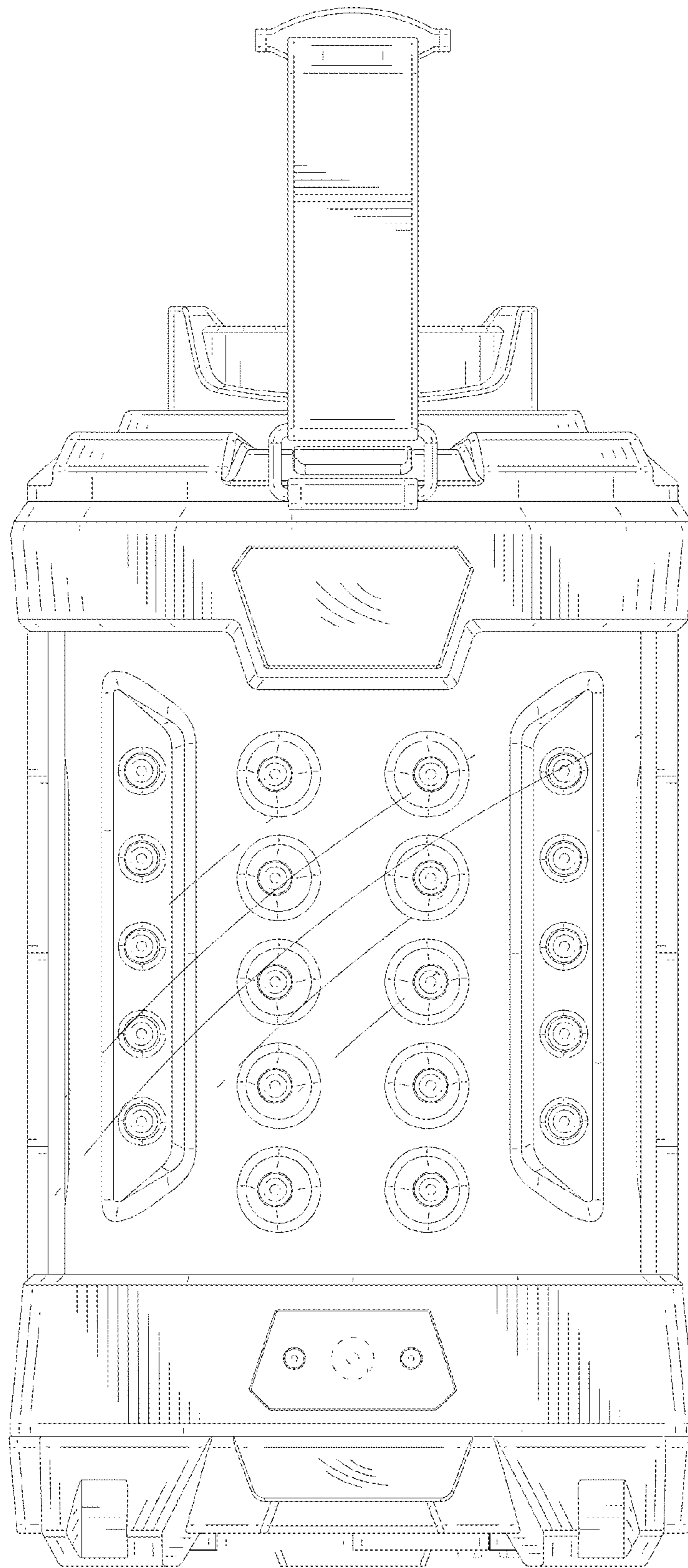


FIG.4



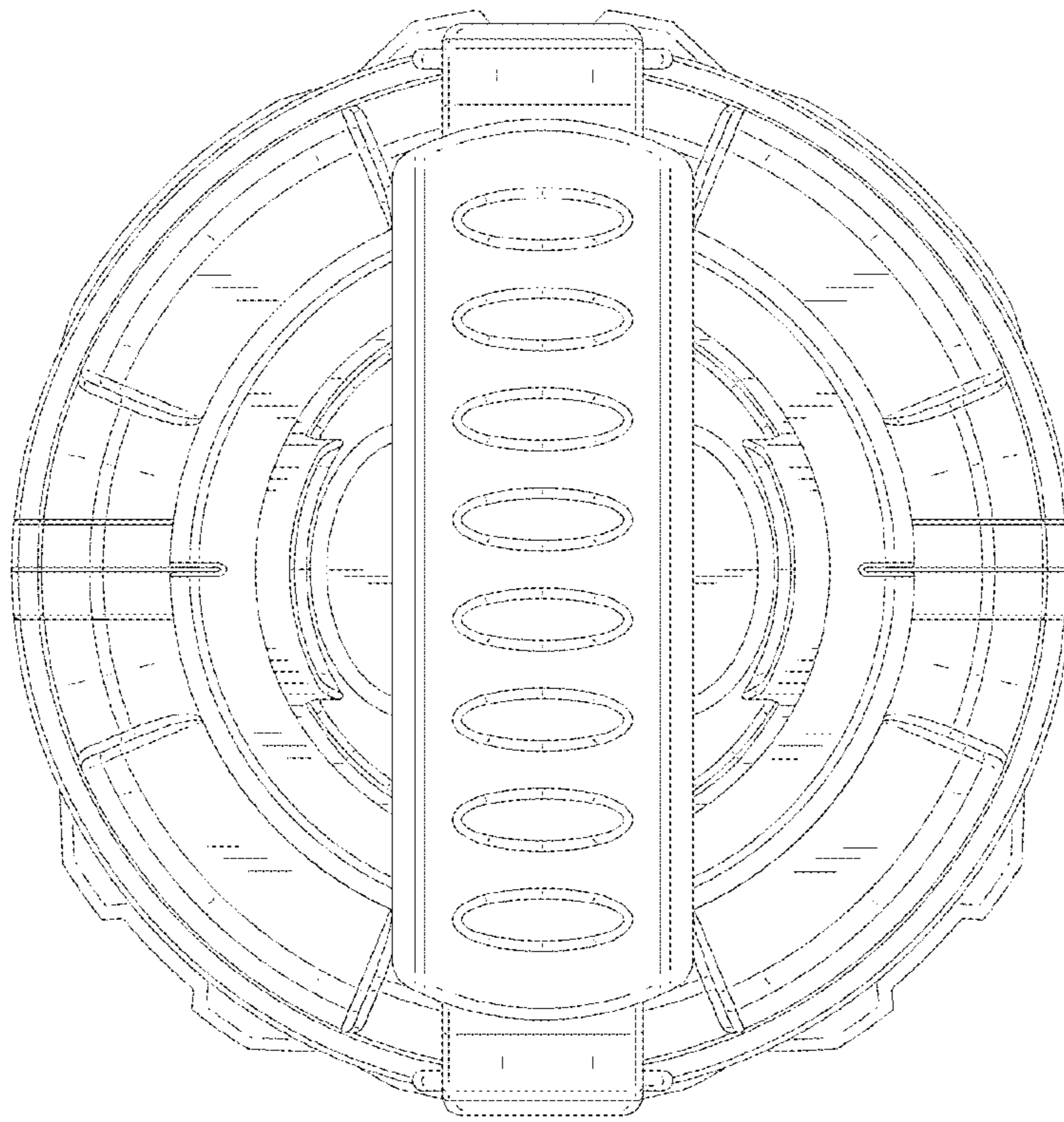


FIG.5

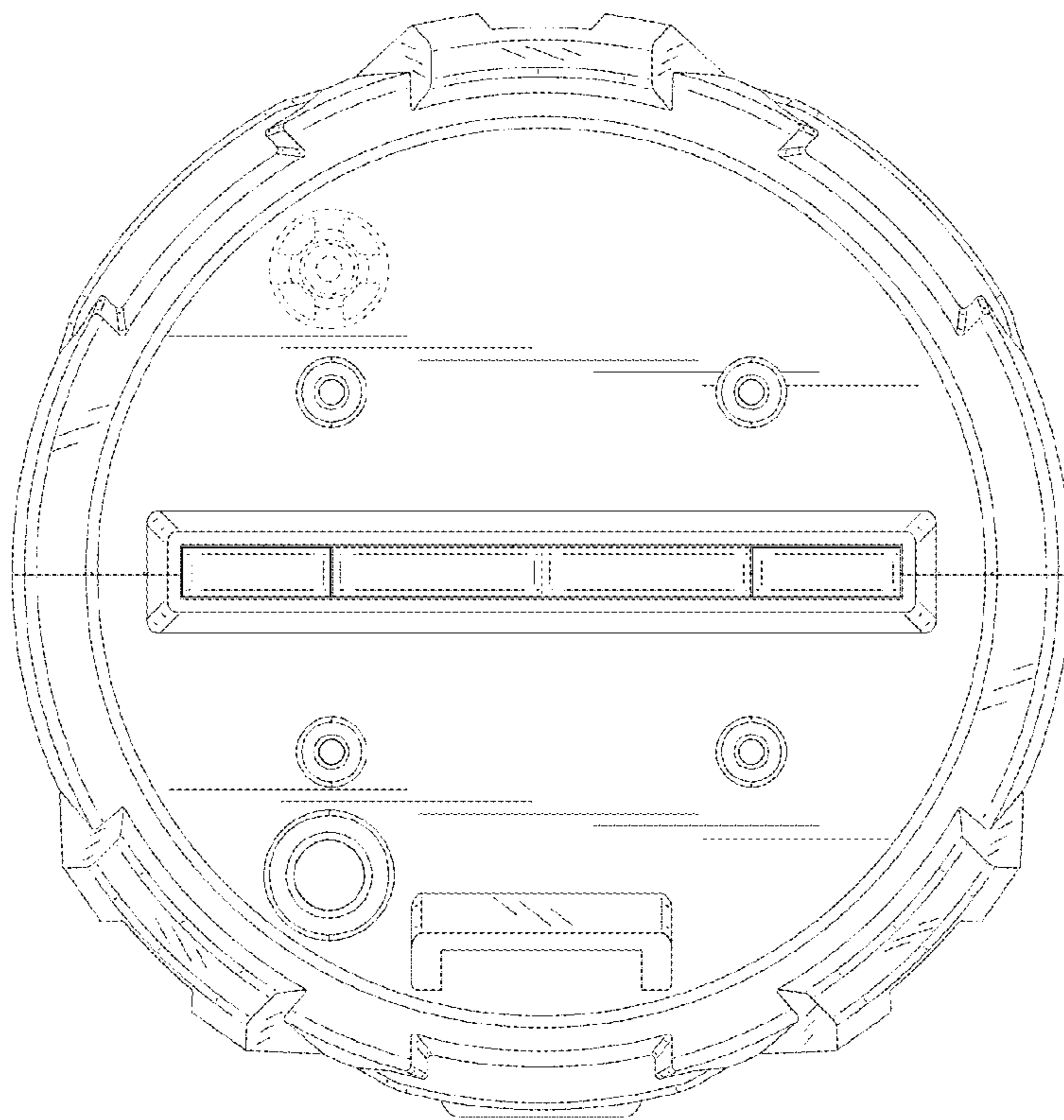


FIG.6

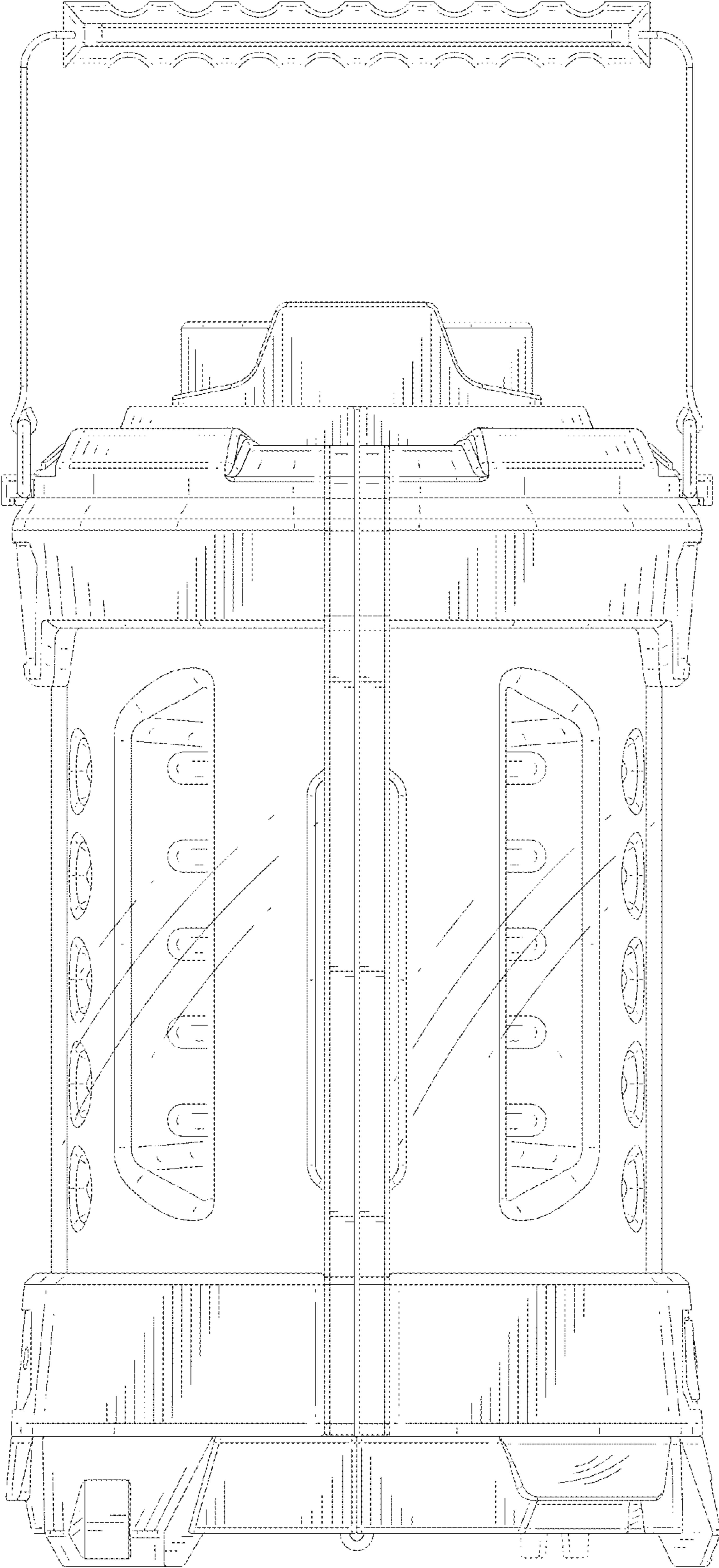


FIG.7



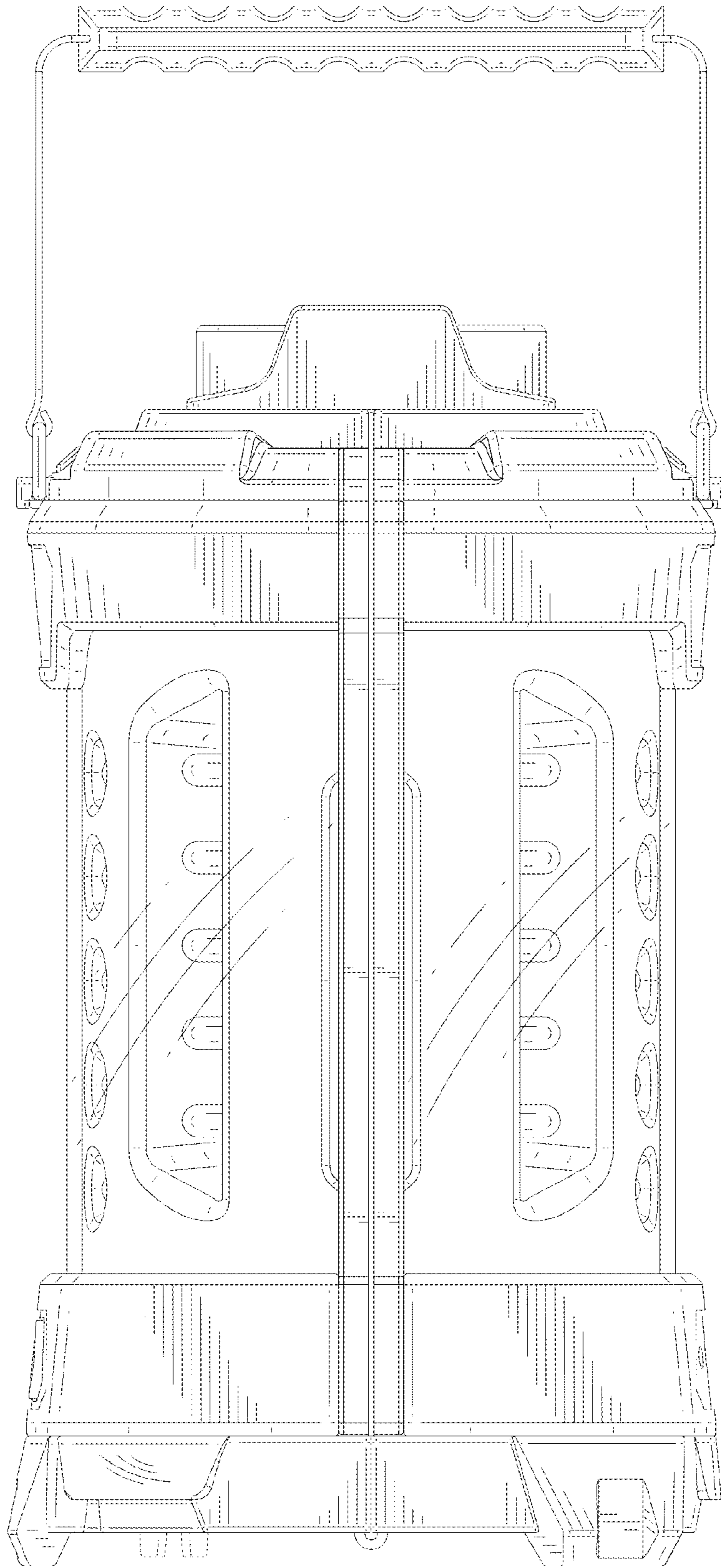


FIG.8