



US00D729427S

(12) **United States Design Patent**  
**Kovac**

(10) **Patent No.:** **US D729,427 S**

(45) **Date of Patent:** **\*\* May 12, 2015**

(54) **PAIR OF LED STRIPS AND POWER PACK**

(71) Applicant: **Edward Kovac**, Brecksville, OH (US)

(72) Inventor: **Edward Kovac**, Brecksville, OH (US)

(\*\*) Term: **14 Years**

(21) Appl. No.: **29/454,437**

(22) Filed: **May 9, 2013**

**Related U.S. Application Data**

(63) Continuation-in-part of application No. 29/454,436, filed on May 9, 2013.

(51) **LOC (10) Cl.** ..... **26-02**

(52) **U.S. Cl.**  
USPC ..... **D26/39**

(58) **Field of Classification Search**  
USPC ..... D26/37, 38, 44, 46, 39, 51; 362/157,  
362/158, 183, 184, 194-196, 200-208, 253,  
362/103, 105, 106  
See application file for complete search history.

(56) **References Cited**

**U.S. PATENT DOCUMENTS**

D274,758	S *	7/1984	Shing	.....	D26/39
5,469,342	A *	11/1995	Chien	.....	362/84
5,544,027	A	8/1996	Orsano		
D393,087	S *	3/1998	Johnston et al.	.....	D26/39
5,836,673	A	11/1998	Lo		
D403,841	S *	1/1999	Drone	.....	D2/894
D411,894	S *	7/1999	Rick	.....	D26/39
D412,761	S	8/1999	Oki		
6,550,930	B1 *	4/2003	Portouche	.....	362/103
D477,093	S	7/2003	Moriyama		
D497,683	S *	10/2004	Cooper	.....	D26/39
D499,199	S *	11/2004	Cooper	.....	D26/39
6,874,904	B2 *	4/2005	Hsu	.....	362/84
7,311,413	B1	12/2007	Barnes		
D573,730	S	7/2008	Uemoto		
D587,830	S *	3/2009	Ma	.....	D26/37

D597,691	S *	8/2009	Fuentes	.....	D26/39
D604,870	S	11/2009	Hong		
D614,780	S	4/2010	Huang		
D623,783	S *	9/2010	Christianson et al.	.....	D26/39
7,841,021	B2 *	11/2010	Golle et al.	.....	2/102

(Continued)

*Primary Examiner* — Ian Simmons

*Assistant Examiner* — Carissa C Fitts

(74) *Attorney, Agent, or Firm* — QuickPatents; Kevin Prince

(57) **CLAIM**

I claim the ornamental design for a pair of LED strips and power pack, as shown and described.

**DESCRIPTION**

FIG. 1 is a perspective view of a pair of LED strips and power pack, showing my new design in a deployed configuration; FIG. 2 is a perspective view thereof, illustrated in a straight configuration;

FIG. 3 is a top plan view of FIG. 2;

FIG. 4 is a bottom plan view of FIG. 2;

FIG. 5 is a right-side elevational view of FIG. 2;

FIG. 6 is a left-side elevational view of FIG. 2;

FIG. 7 is a front elevational view of FIG. 2;

FIG. 8 is a rear elevational view of FIG. 2;

FIG. 9 is an enlarged, partial perspective view taken along line 9 of FIG. 1;

FIG. 10 is an enlarged, partial perspective view taken along line 10 of FIG. 2;

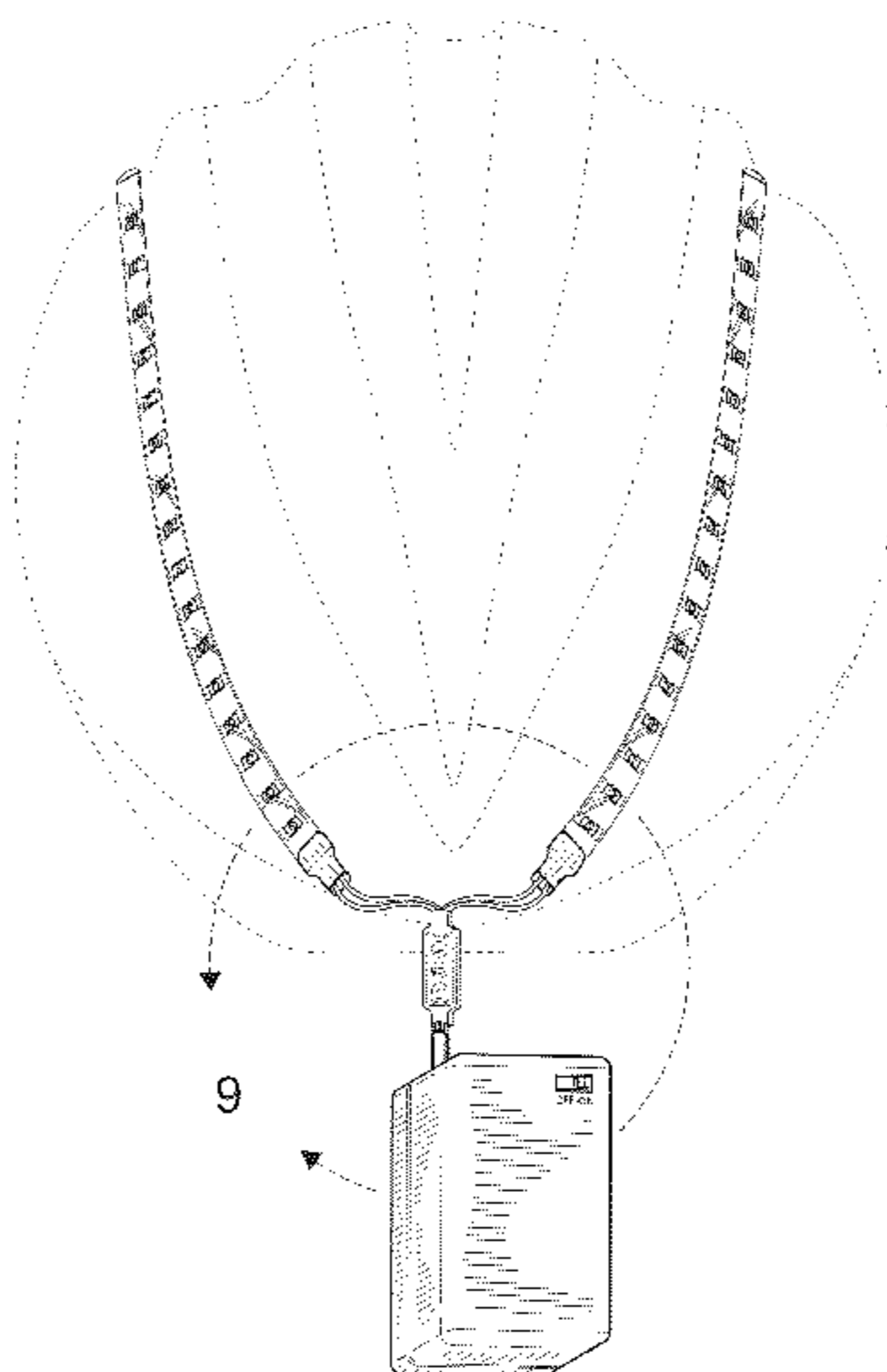
FIG. 11 is an enlarged, partial top plan view taken along line 11 of FIG. 3;

FIG. 12 is an enlarged, partial right-side elevational view taken along line 12 of FIG. 5; and,

FIG. 13 is an enlarged, partial front elevational view taken along line 13 of FIG. 7.

The broken lines showing a bicycle helmet in FIGS. 1 and 9 depict environmental matter and form no part of the claimed design.

**1 Claim, 8 Drawing Sheets**



(56)

**References Cited**

U.S. PATENT DOCUMENTS

D635,702 S \* 4/2011 Hesse et al. .... D26/39  
8,025,432 B2 \* 9/2011 Wainright ..... 362/394  
8,070,307 B2 \* 12/2011 Ho ..... 362/106  
D663,443 S 7/2012 Betsuda

D665,105 S 8/2012 Betsuda  
D669,603 S 10/2012 Miyashita  
8,529,082 B1 \* 9/2013 Baker et al. .... 362/105  
2007/0025100 A1 2/2007 Caruana  
2010/0128468 A1 \* 5/2010 Ong et al. .... 362/106  
2012/0224356 A1 \* 9/2012 Fischer et al. .... 362/106  
2012/0243210 A1 9/2012 Brown

\* cited by examiner

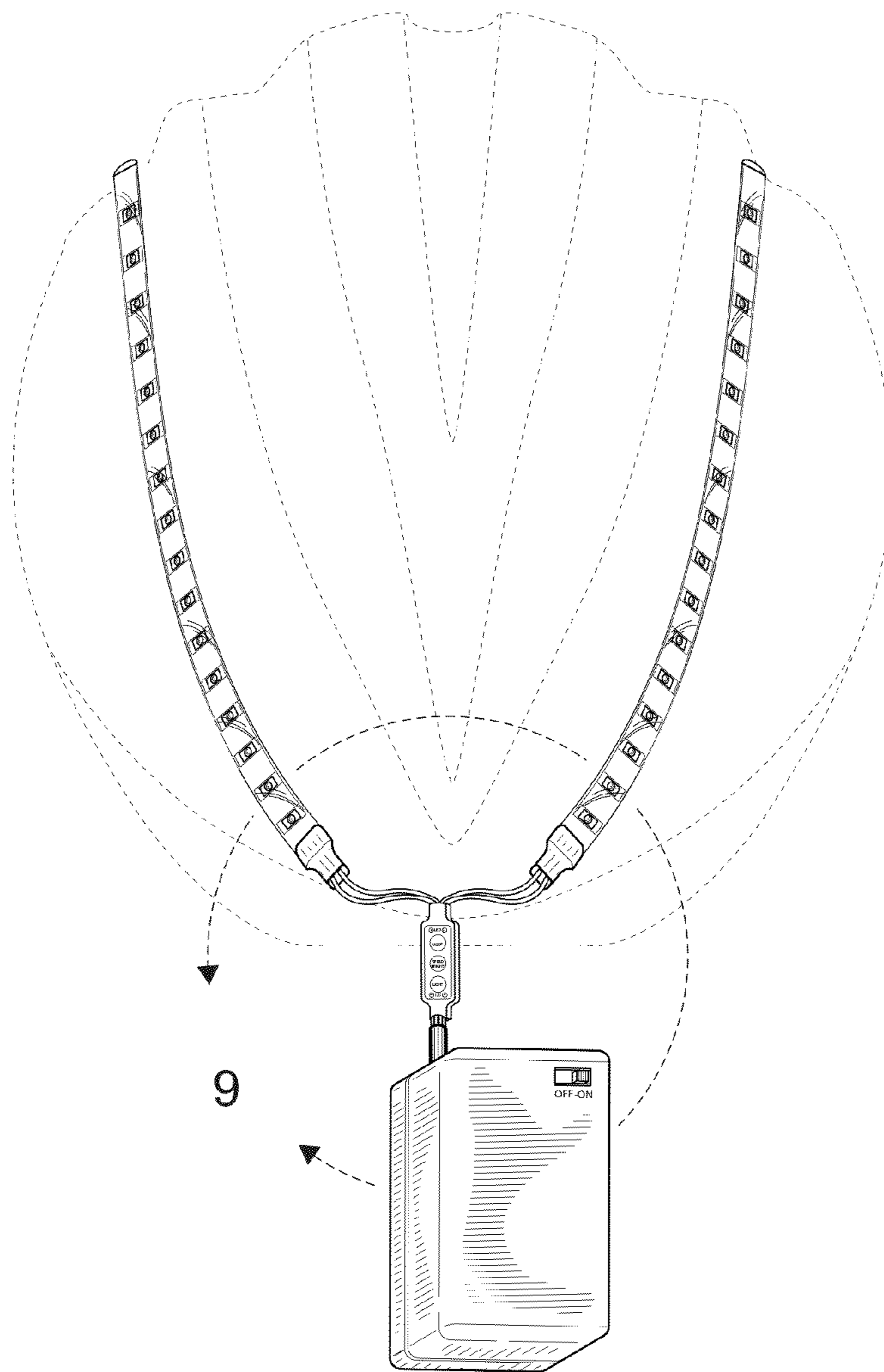


FIG. 1

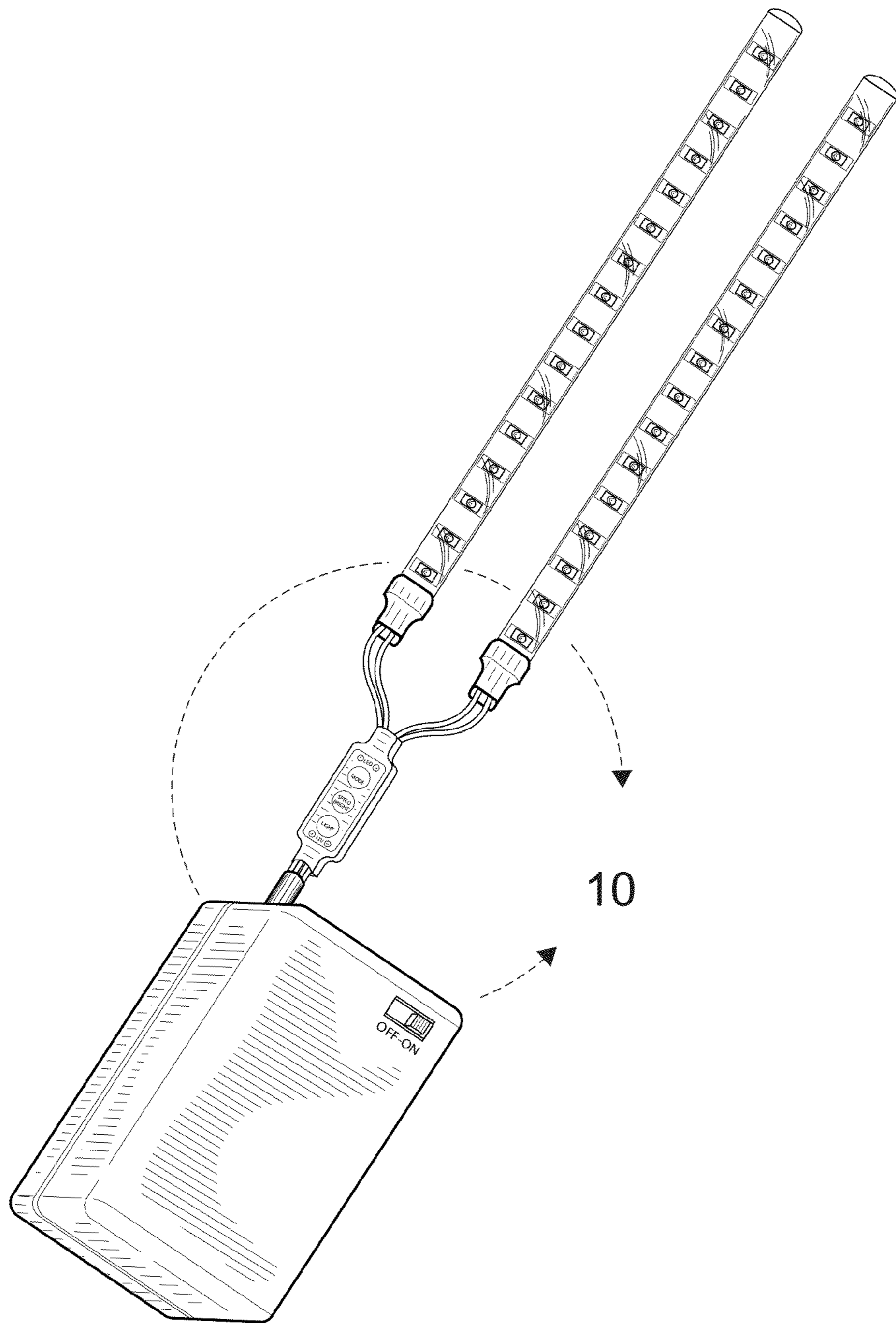


FIG. 2

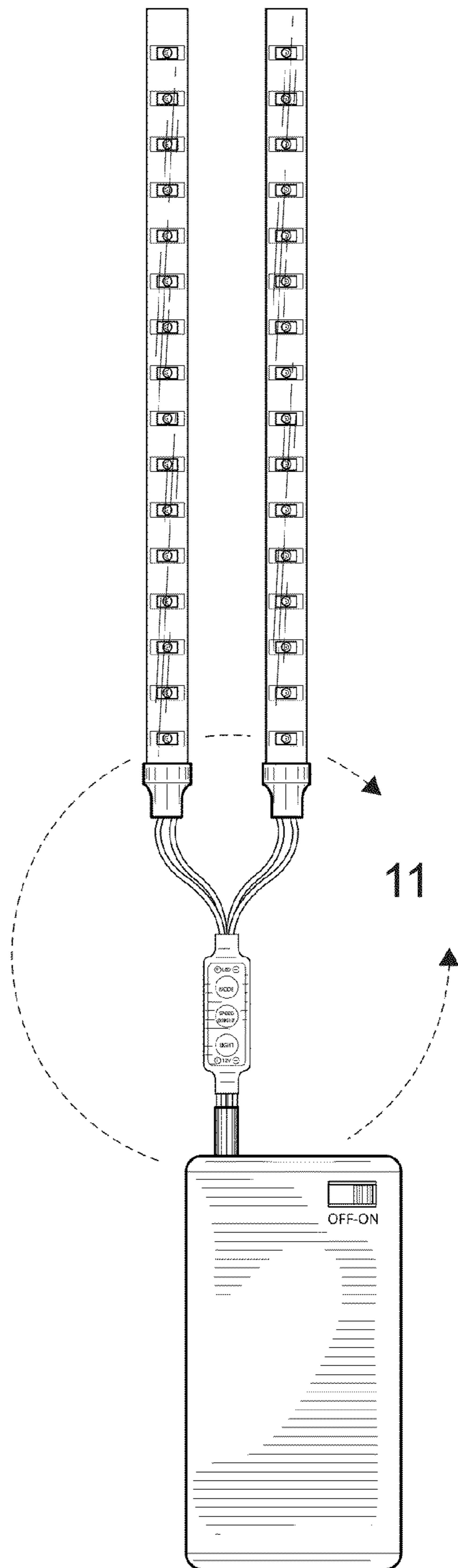


FIG. 3

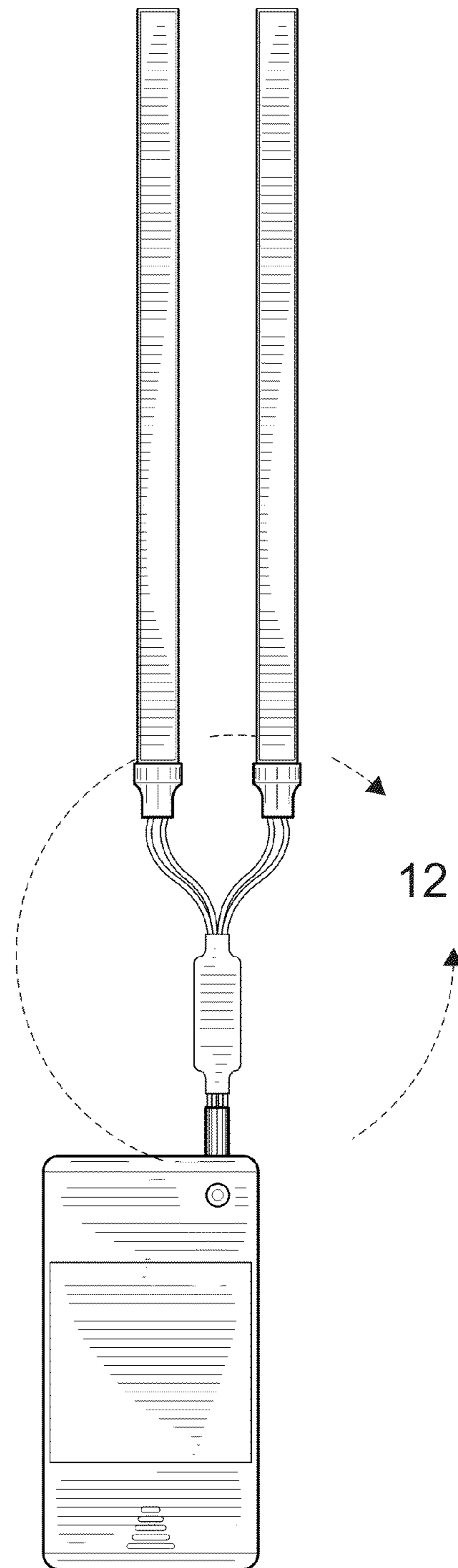


FIG. 4

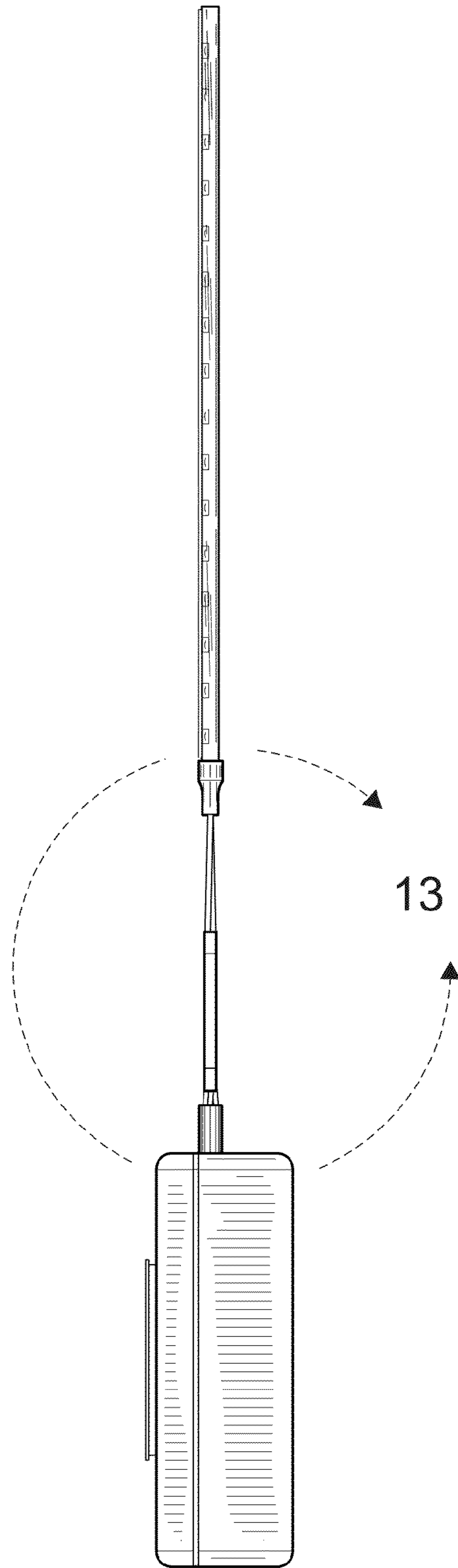


FIG. 5

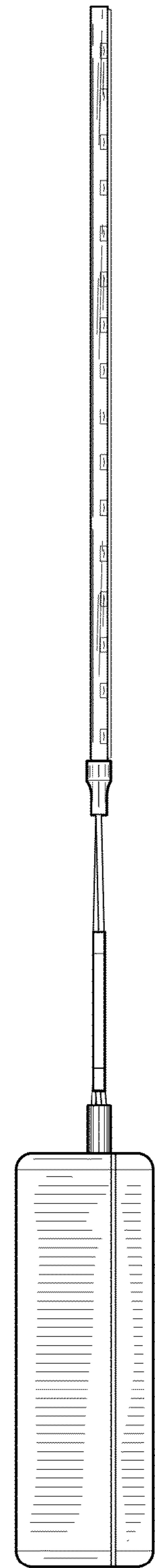


FIG. 6

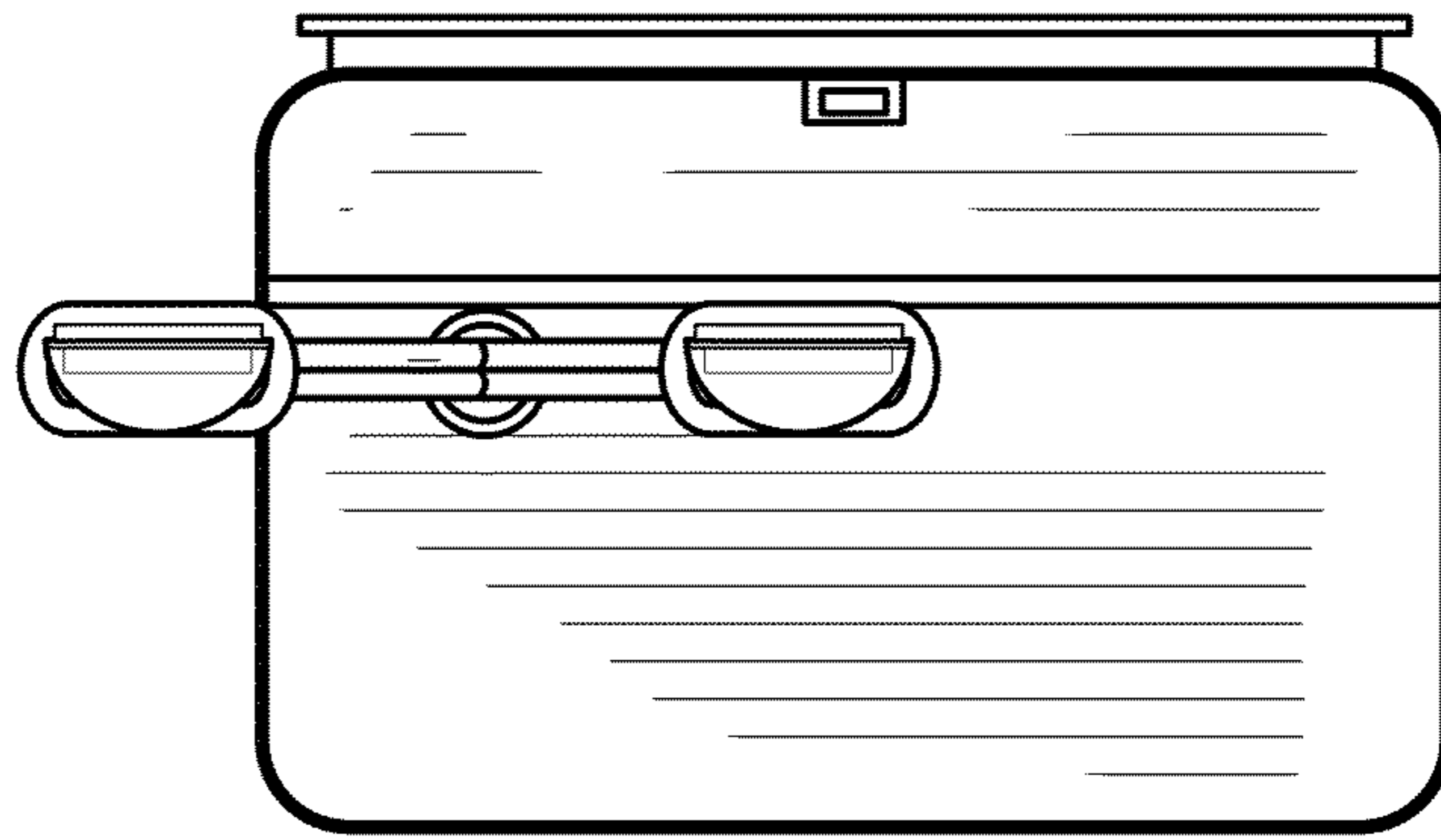


FIG. 7



FIG. 8

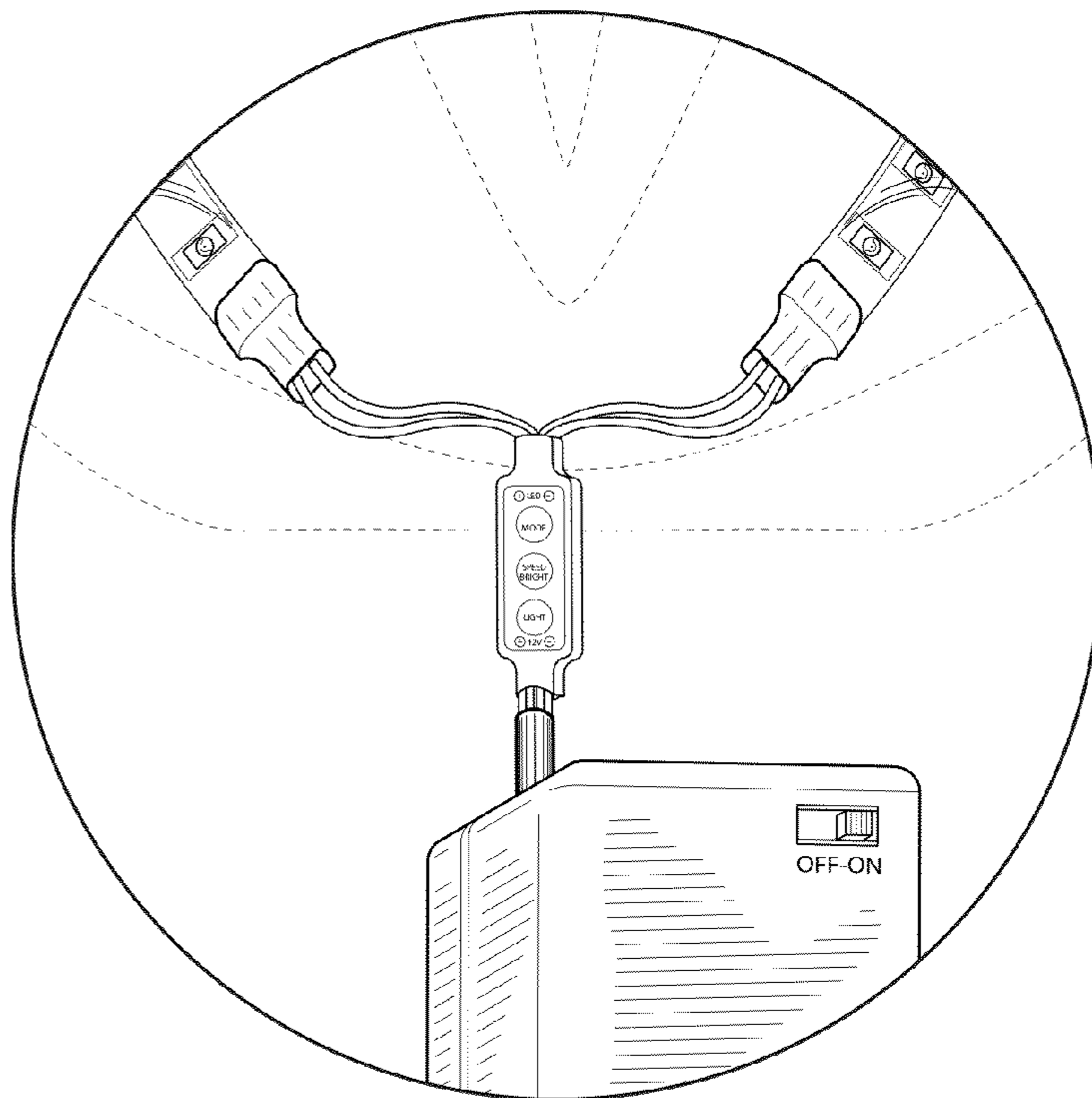


FIG. 9

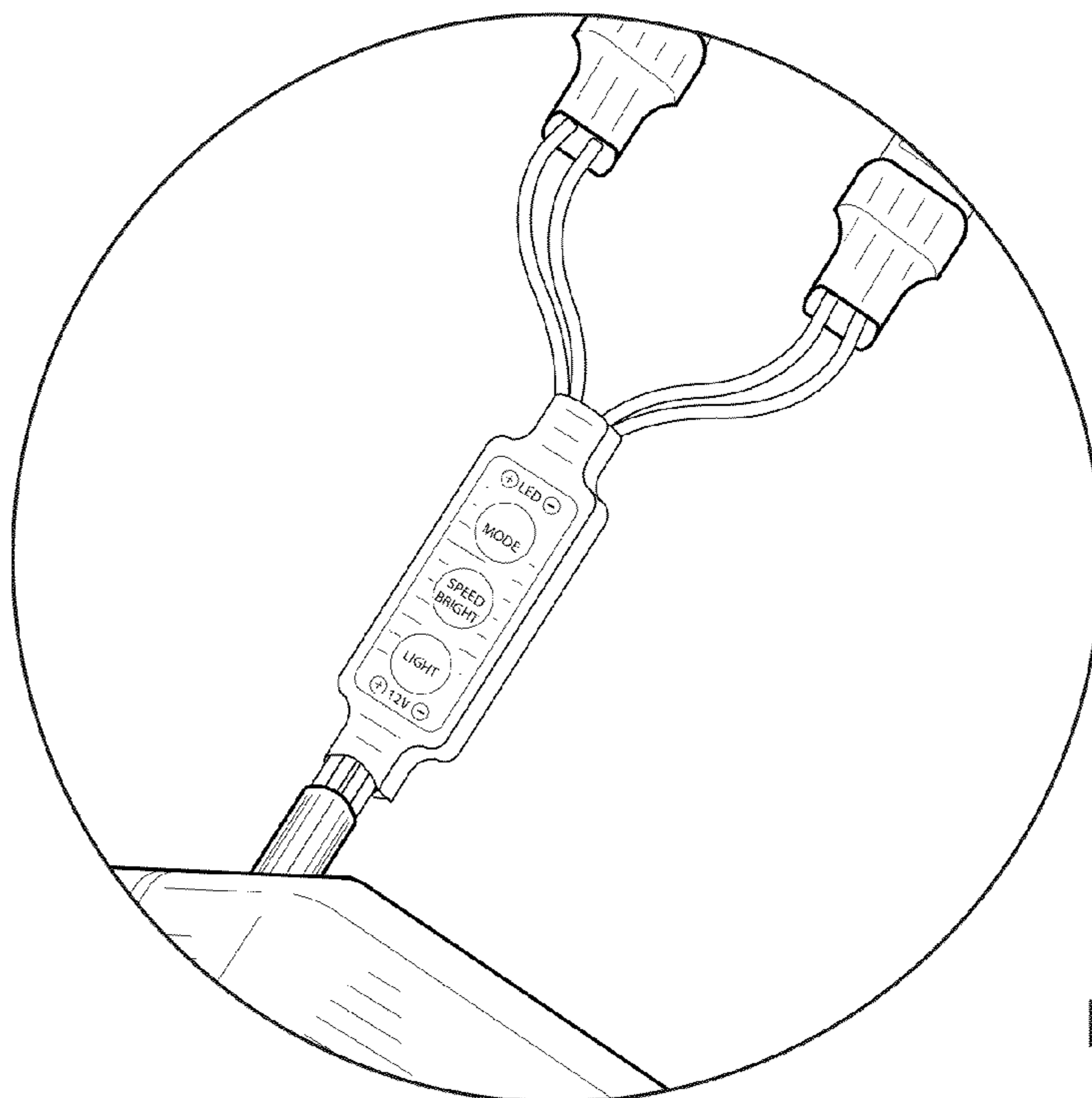


FIG. 10



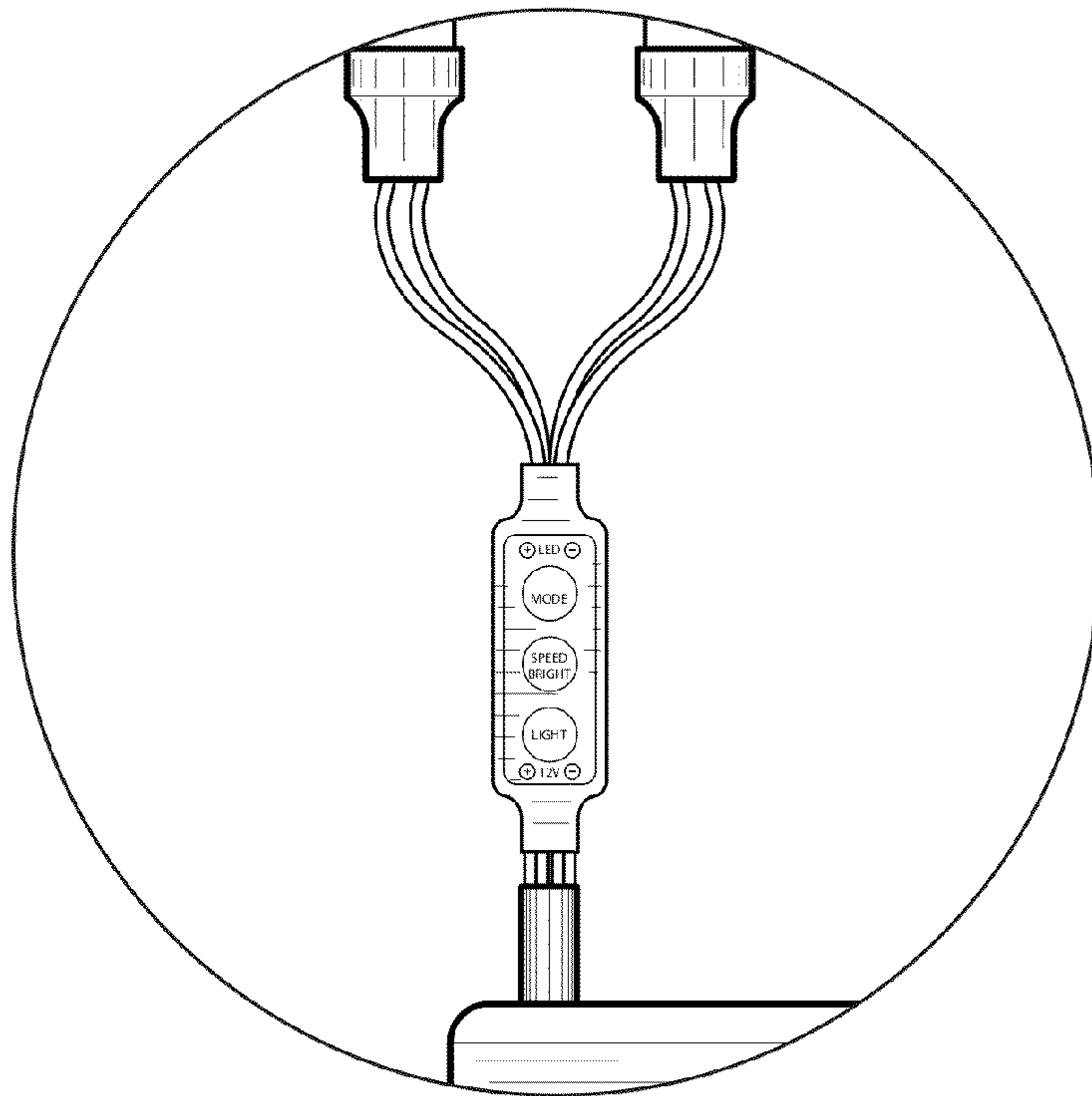


FIG. 11

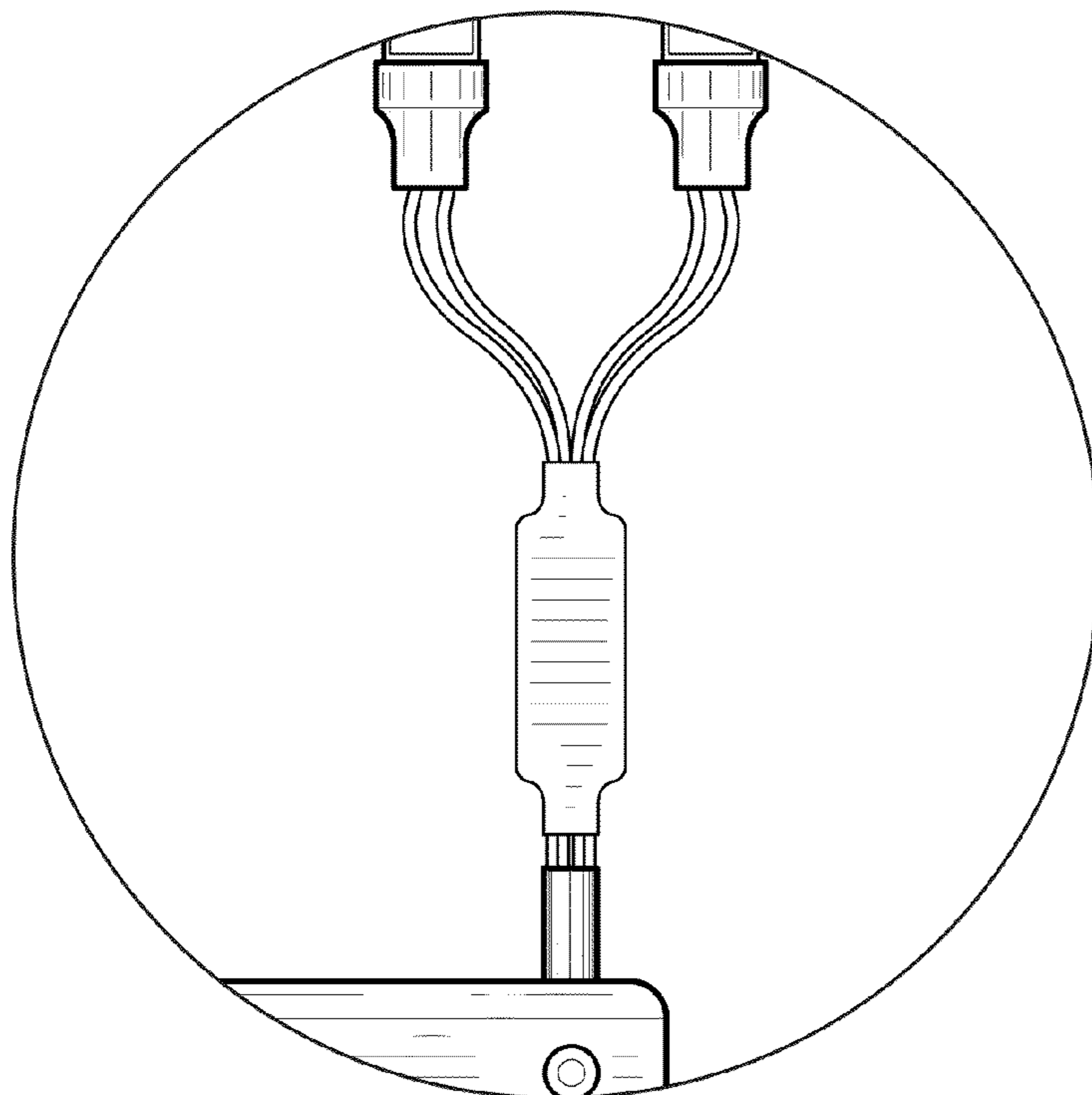


FIG. 12

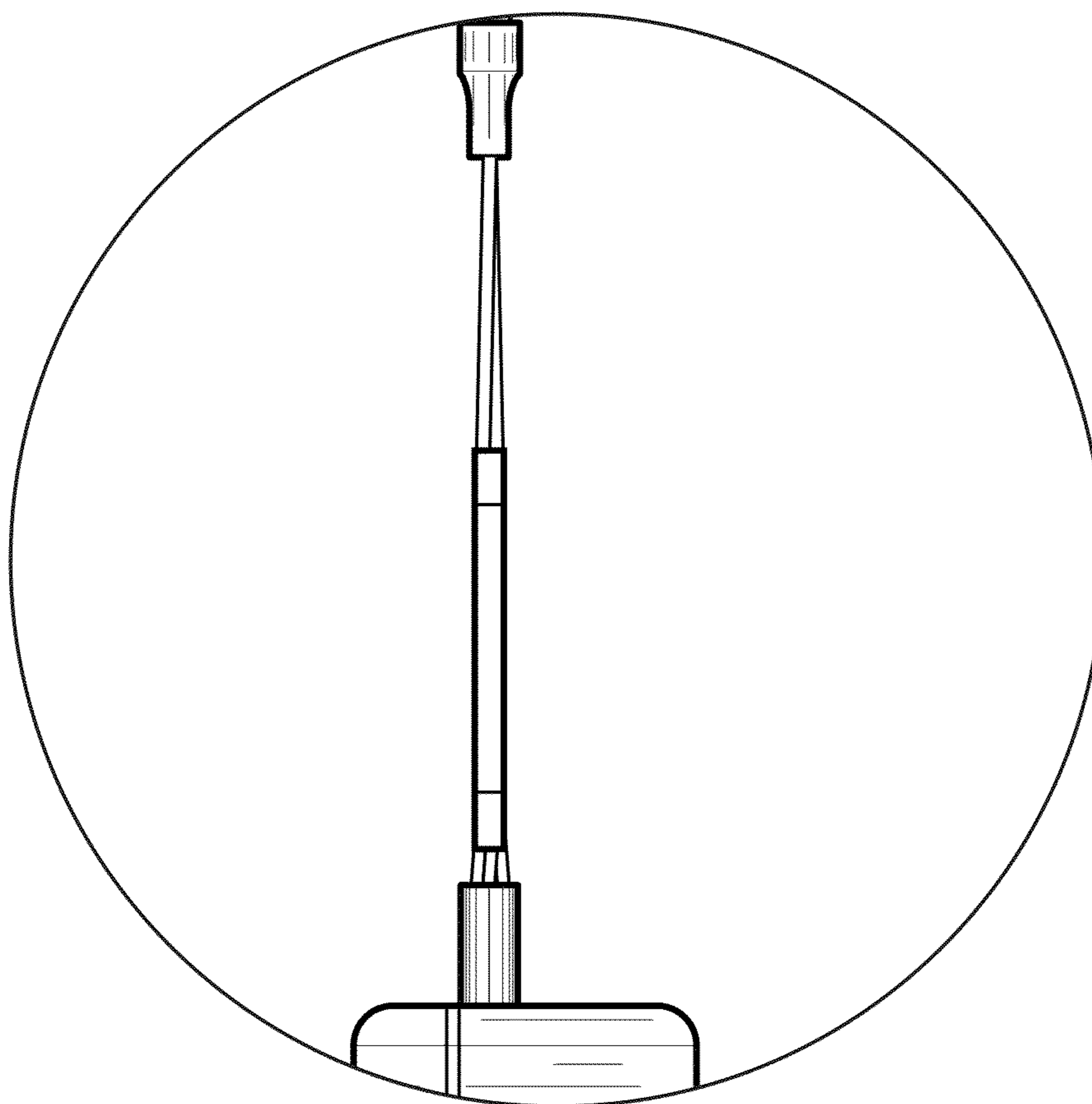


FIG. 13