



US00D729426S

(12) **United States Design Patent**
Dalton

(10) **Patent No.:** **US D729,426 S**

(45) **Date of Patent:** **** May 12, 2015**

(54) **MOUNTABLE LIGHT**

FOREIGN PATENT DOCUMENTS

(71) Applicant: **Streamlight, Inc.**, Eagleville, PA (US)

DE 283441 4/1915
DE 8515726 8/1985

(72) Inventor: **Matthew B. Dalton**, Elkins Park, PA (US)

(Continued)

(73) Assignee: **Streamlight, Inc.**, Eagleville, PA (US)

Streamlight, PT Series Professional Tactical Lights, 2 pages, Feb. 2010.

(**) Term: **14 Years**

(Continued)

(21) Appl. No.: **29/441,896**

(22) Filed: **Jan. 10, 2013**

Primary Examiner — Ian Simmons
Assistant Examiner — Carissa C Fitts

(51) **LOC (10) Cl.** **26-02**

(74) *Attorney, Agent, or Firm* — Clement A. Berard, Esq.;
Dann, Dorfman, Herrell & Skillman, PC

(52) **U.S. Cl.**
USPC **D26/39**

(58) **Field of Classification Search**
USPC D26/39, 38, 46, 49; 362/103, 105, 106,
362/108, 157, 158, 183, 184, 194–197,
362/202–208

(57) **CLAIM**
The ornamental design for a mountable light, substantially as shown and described.

See application file for complete search history.

DESCRIPTION

(56) **References Cited**

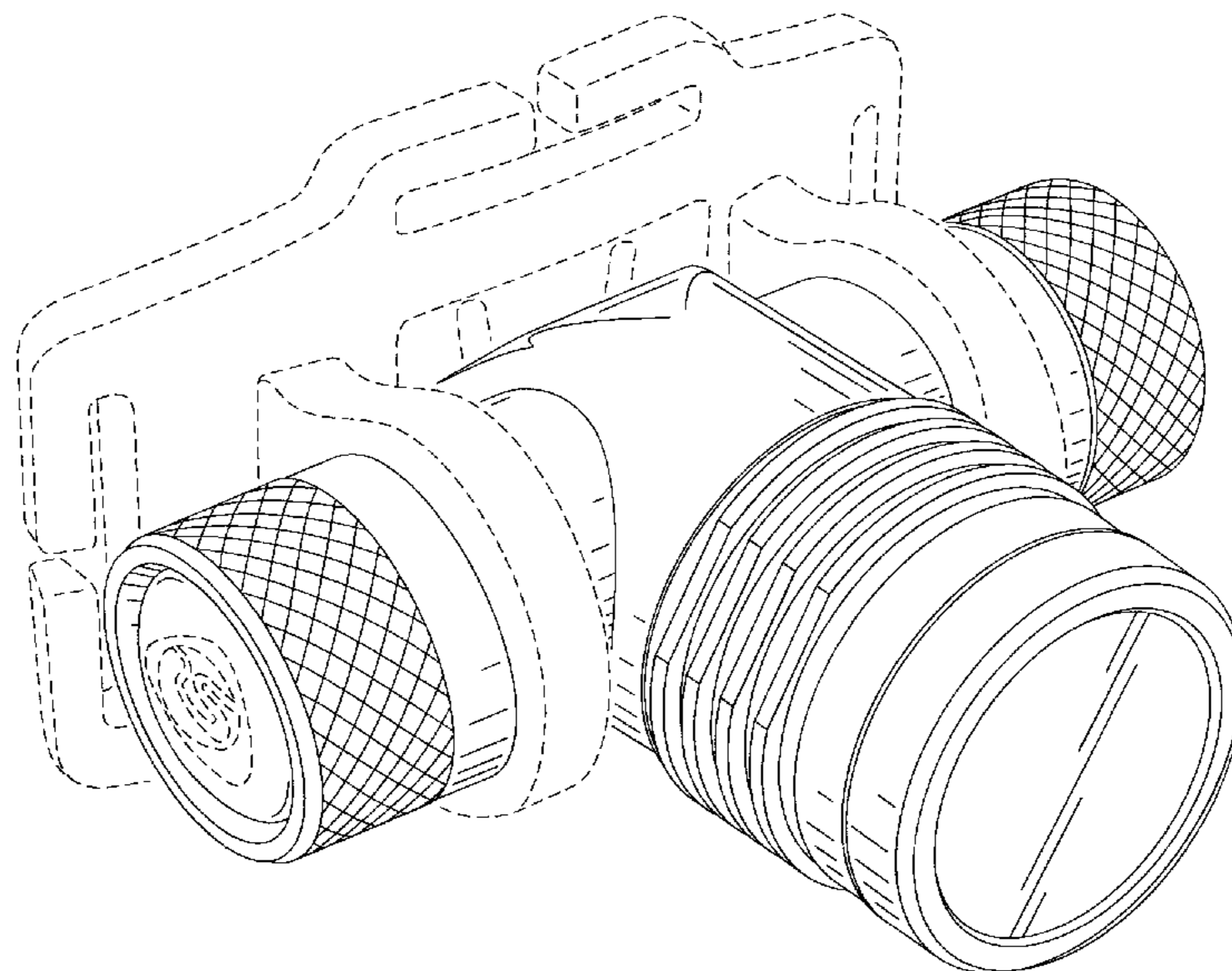
U.S. PATENT DOCUMENTS

3,705,983	A	12/1972	Yamada	
D324,430	S	3/1992	Sharrah et al.	
5,605,394	A	2/1997	Chen	
D380,858	S	7/1997	Sharrah et al.	
D381,812	S	8/1997	Sharrah et al.	
D405,202	S *	2/1999	Fattori et al.	D26/39
D435,676	S *	12/2000	Squillante et al.	D26/37
D435,922	S	1/2001	Shing	
D445,931	S	7/2001	Shiu	
D447,587	S	9/2001	Poon	
6,474,837	B1	11/2002	Belliveau	
D477,680	S	7/2003	Petzl	
D481,816	S	11/2003	Sharrah	
D482,472	S	11/2003	Shiu	

(Continued)

FIG. 1 is a perspective view of an ornamental design for a mountable light;
FIG. 2 is a front view of the design for a mountable light;
FIG. 3 is a rear view of the design for a mountable light;
FIG. 4 is a top view of the design for a mountable light;
FIG. 5 is a bottom view of the design for a mountable light;
FIG. 6 is a side view of one side of the design for a mountable light;
FIG. 7 is a side view of an opposing side of the design for a mountable light; and,
FIG. 8 is a rear view with a mounting support (shown dashed in other views) for the mountable light removed.
Broken lines in the illustrations of the DRAWING indicate unclaimed parts of the article and/or unclaimed environment that are not part of the design illustrated and claimed herein.

1 Claim, 8 Drawing Sheets



(56)

References Cited

FOREIGN PATENT DOCUMENTS

U.S. PATENT DOCUMENTS

D482,473 S 11/2003 Shiu
 D482,811 S 11/2003 Petzl
 D485,384 S 1/2004 Poon
 D508,140 S * 8/2005 Sharrah D26/39
 D521,170 S 5/2006 Craft et al.
 D521,666 S 5/2006 Chean
 D521,667 S 5/2006 Chean
 D525,734 S * 7/2006 Shiao D26/39
 D527,476 S 8/2006 Craft
 D529,213 S 9/2006 Shiu
 D532,537 S 11/2006 Shiu
 D532,538 S 11/2006 Yuen
 D534,289 S * 12/2006 Shiu D26/39
 D536,115 S * 1/2007 Shiu D26/39
 7,192,165 B2 3/2007 Petzl et al.
 7,226,190 B2 6/2007 Petzl et al.
 D548,863 S 8/2007 Shiu
 D549,369 S 8/2007 DeBrunner
 D552,775 S * 10/2007 Shiu D26/39
 D553,277 S * 10/2007 Ho et al. D26/39
 D557,838 S 12/2007 Shiu
 D557,840 S 12/2007 Shiu
 D557,842 S 12/2007 Lee
 D560,008 S 1/2008 Poon
 D560,009 S 1/2008 Spartano et al.
 D564,116 S 3/2008 Linardos
 D565,770 S 4/2008 Shiu
 D566,309 S 4/2008 Kornfeld et al.
 D568,509 S 5/2008 Shiu
 D568,515 S 5/2008 Liu
 D572,395 S 7/2008 Guelzow et al.
 D574,982 S 8/2008 Lau
 7,410,272 B2 8/2008 Halasz
 D578,236 S 10/2008 Dalton
 D586,025 S 2/2009 Bonis
 D586,489 S 2/2009 Shiu
 D603,988 S 11/2009 Sharrah
 D603,989 S 11/2009 Gardner et al.
 D622,428 S 8/2010 Crawford
 D629,542 S 12/2010 Robinson
 D629,544 S 12/2010 Deguglimo et al.
 D629,940 S * 12/2010 Osterhout D26/49
 8,148,912 B2 4/2012 Kim
 D688,402 S 8/2013 Roshak et al.
 D698,961 S * 2/2014 Dalton D26/49
 2009/0323344 A1 12/2009 Crawford

EP 0111818 6/1984
 EP 1588094 3/2008
 FR 2745627 9/1997
 FR 2850448 1/2006
 GB 2264164 8/1993
 WO 01/57431 8/2001
 WO 2004/070268 8/2004

OTHER PUBLICATIONS

Streamlight, NightFighter LED Flashlight, 1 page, Sep. 2009.
 Streamlight, "Argo Luxeon Headlamp," http://www.streamlight.com/argo_info.htm, Printed Oct. 18, 2004, 2 Pages.
 Streamlight, "Argo Luxeon Headlamp Specifications," http://www.streamlight.com/argo_spec.htm, Printed Oct. 18, 2004, 1 Page.
 Streamlight, "Wow Parts & Accessories," http://www.streamlight.com/wow_accessories.htm, Printed Oct. 18, 2004, 1 Page.
 Streamlight, "Wow Specifications," http://www.streamlight.com/wow_specifications.htm, Printed Oct. 18, 2004, 1 Page.
 Streamlight, "TopSpot II Specifications," http://www.streamlight.com/topspot_2_specifications.htm, Printed Oct. 18, 2004, 1 Page.
 Streamlight, "TopSpot II Parts & Accessories," http://www.streamlight.com/topspot_2_accessories.htm, Printed Oct. 18, 2004, 1 Page.
 Streamlight, "Septor Information," http://www.streamlight.com/septor_info.htm, Printed Oct. 21, 2004, 2 Pages.
 Streamlight, "Septor Specifications," http://www.streamlight.com/septor_spec.htm, Printed Oct. 21, 2004, 1 Page.
 Streamlight, "Trident Information," http://www.streamlight.com/trident_info.htm, Printed Oct. 21, 2004, 2 Pages.
 Streamlight, "Trident Specifications," http://www.streamlight.com/trident_spec.htm, Printed Oct. 21, 2004, 1 Page.
 Streamlight, "New Trident/New Septor/New ClipMate," Led Technology Meets Streamlight Quality, Sep. 2002, Pamphlet. #990633.
 Streamlight, "New ARGO Luxeon LED Headlamp," Feb. 2004, Pamphlet.: #990661.
 Streamlight, TL-2 L Shock-Proof Flashlight, 2 pages, Aug. 2007.
 Streamlight, TL-3 LED Flashlight, 2 pages, Aug. 2007.
 Streamlight, Tactical Hand-Held Series, 4 pages, 2010.
 Streamlight, Inc., "Pro Tac HL—High Lumen Tactical Light", printed Jun. 18, 2012, 5 pages, www.streamlight.com/product/product.aspx?pid=254.
 Streamlight, Inc., "Portable Light", U.S. Appl. No. 29/427,352, filed Jul. 17, 2012, 10 pages.
 Streamlight, Inc., "Wearable Portable Light", U.S. Appl. No. 29/437,853, filed Nov. 21, 2012, 13 pages.

* cited by examiner

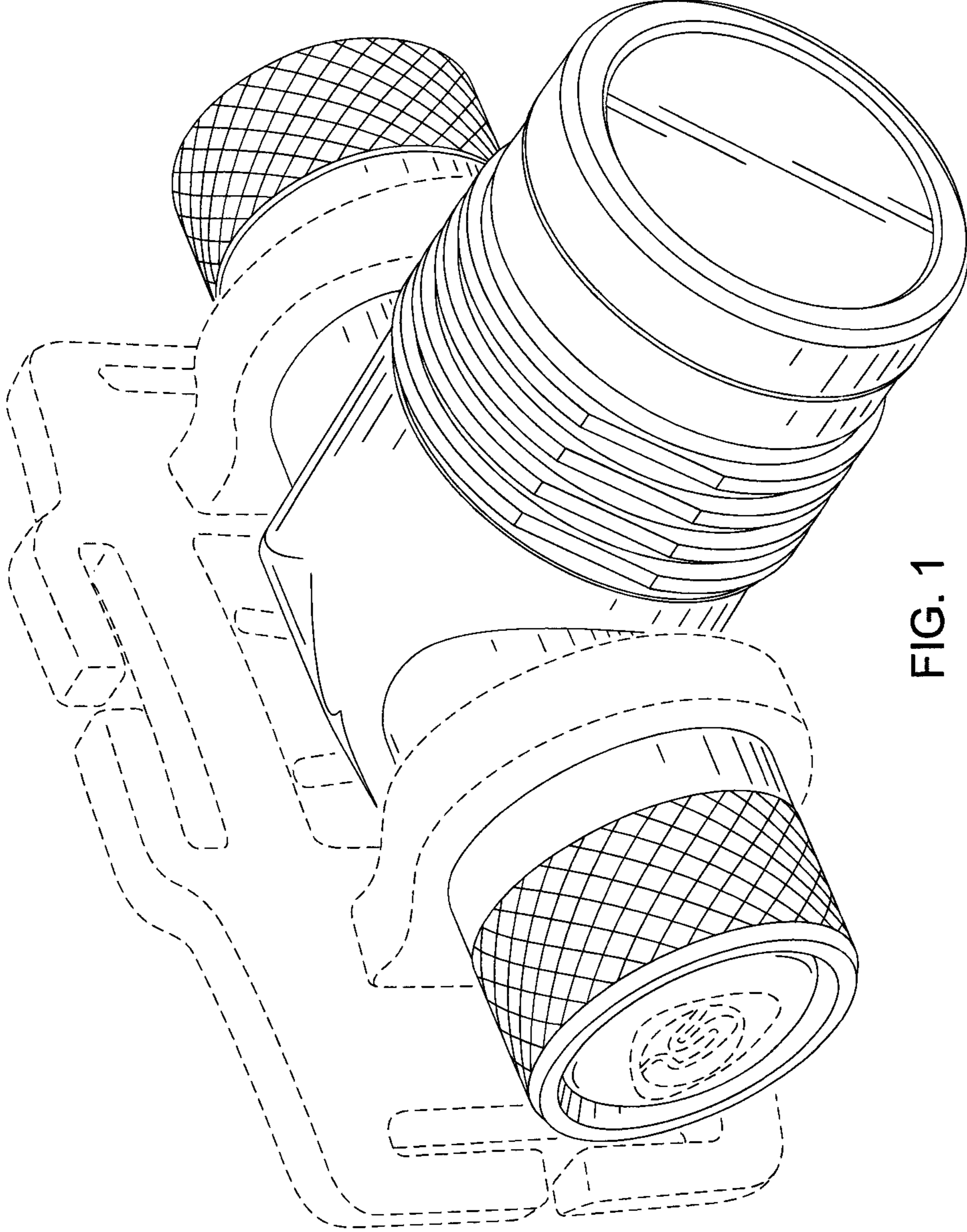


FIG. 1

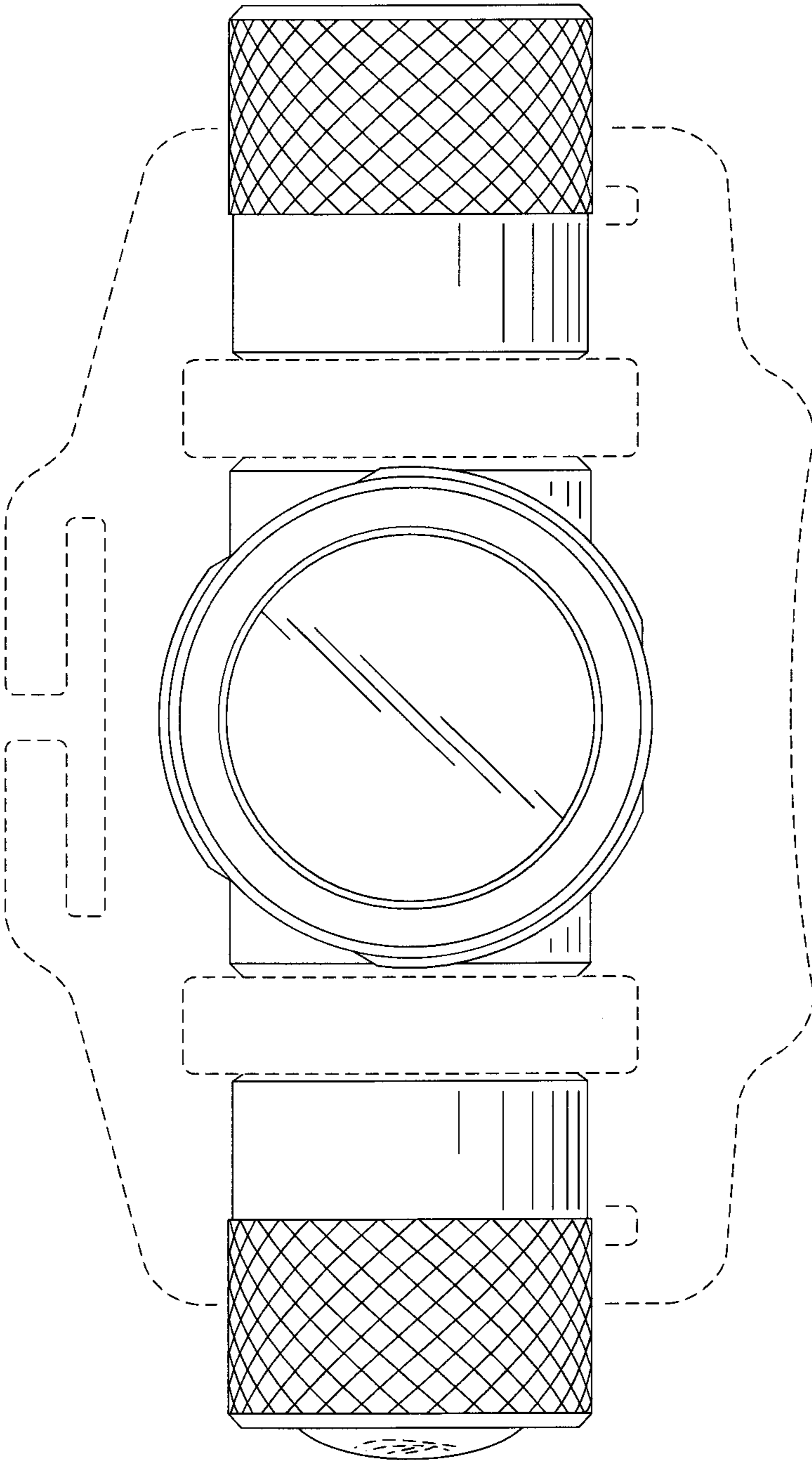


FIG. 2

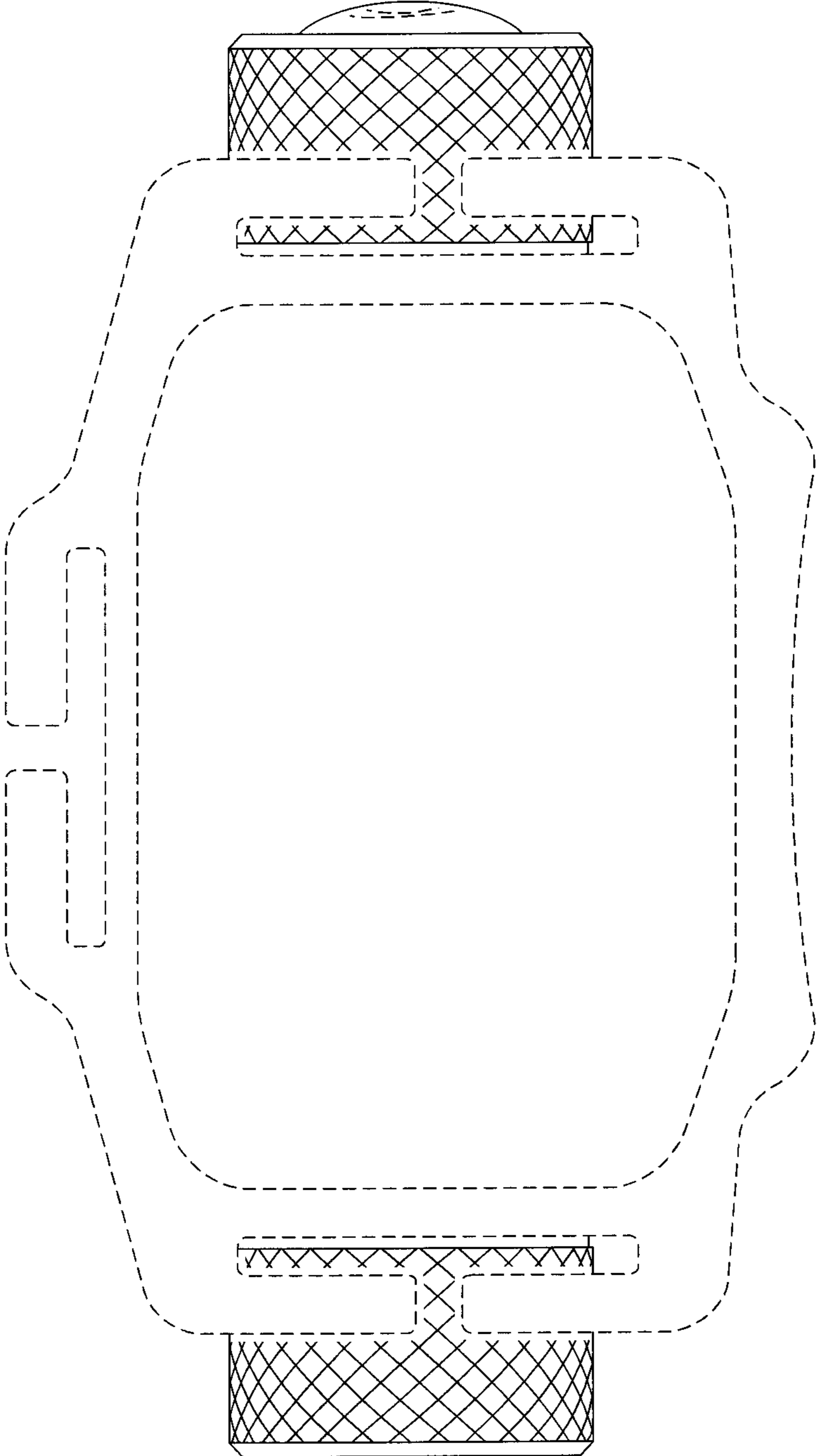


FIG. 3

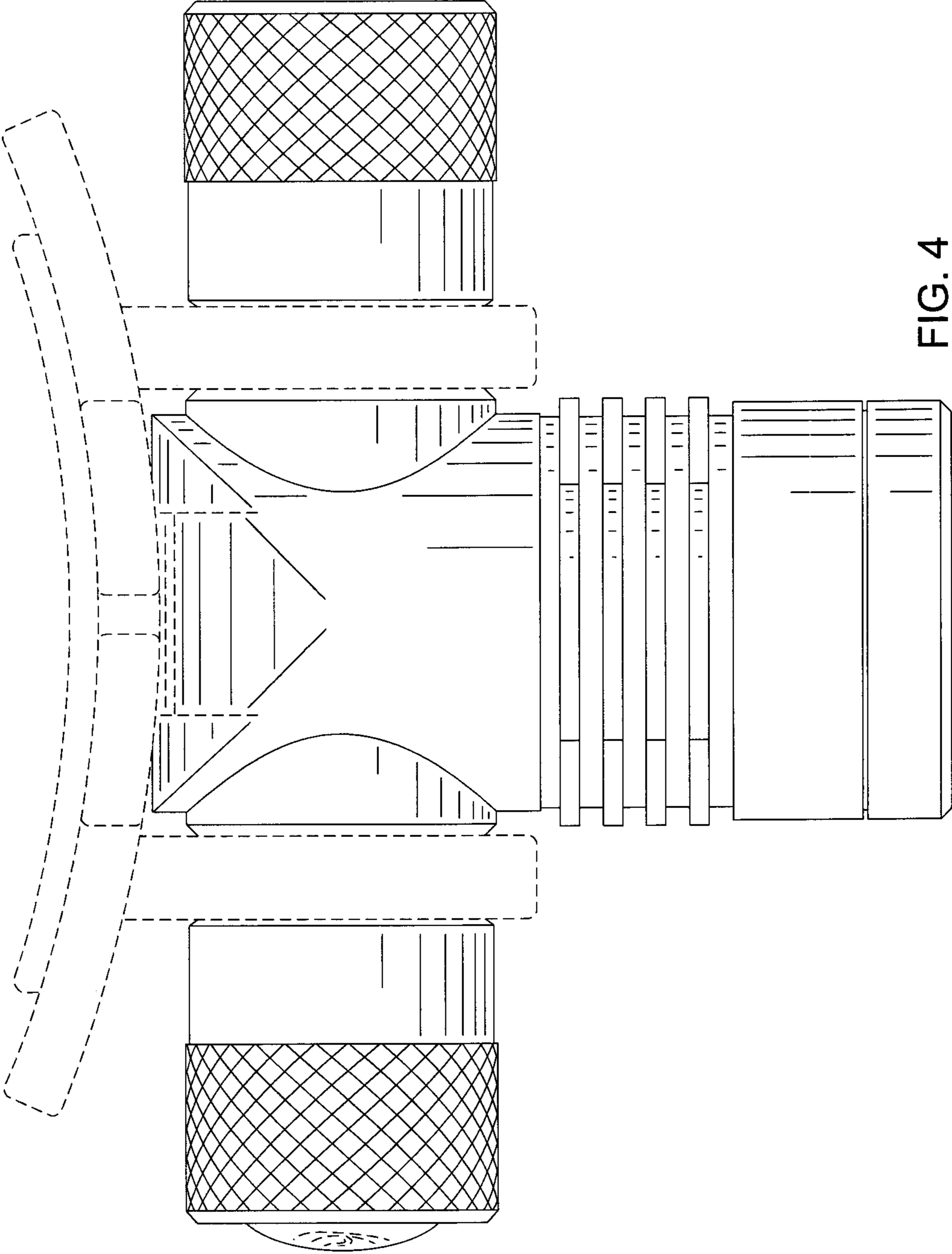


FIG. 4

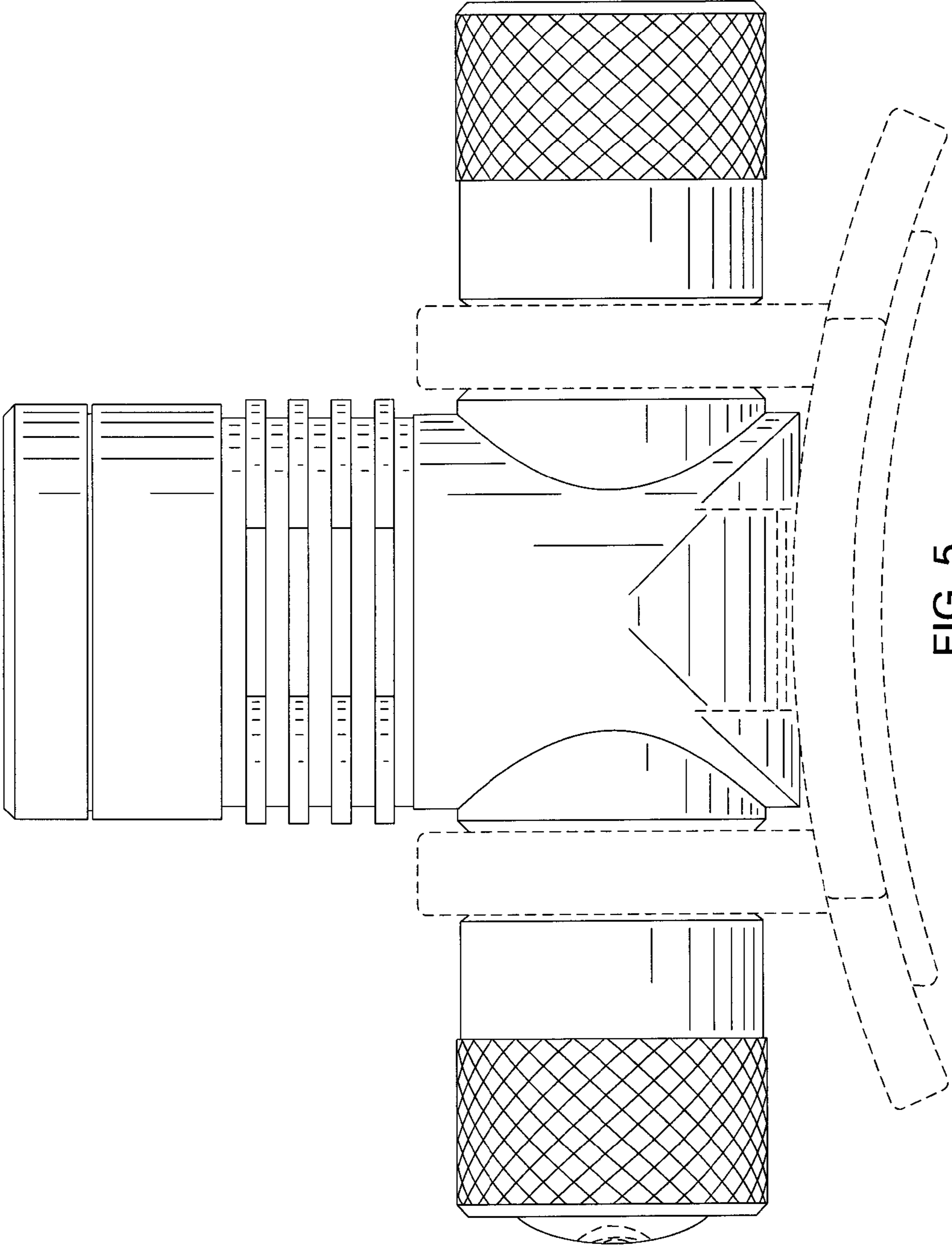


FIG. 5

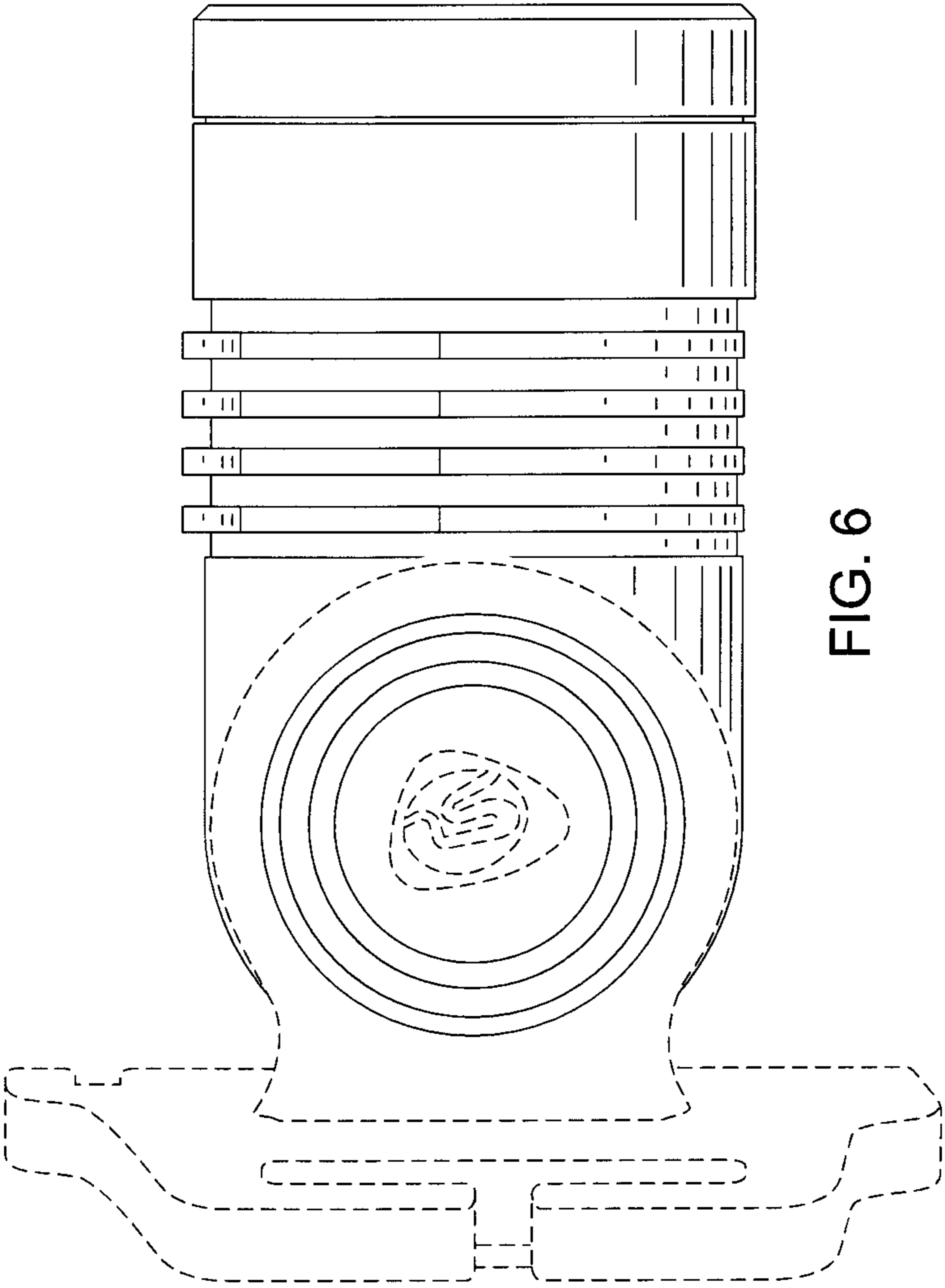


FIG. 6

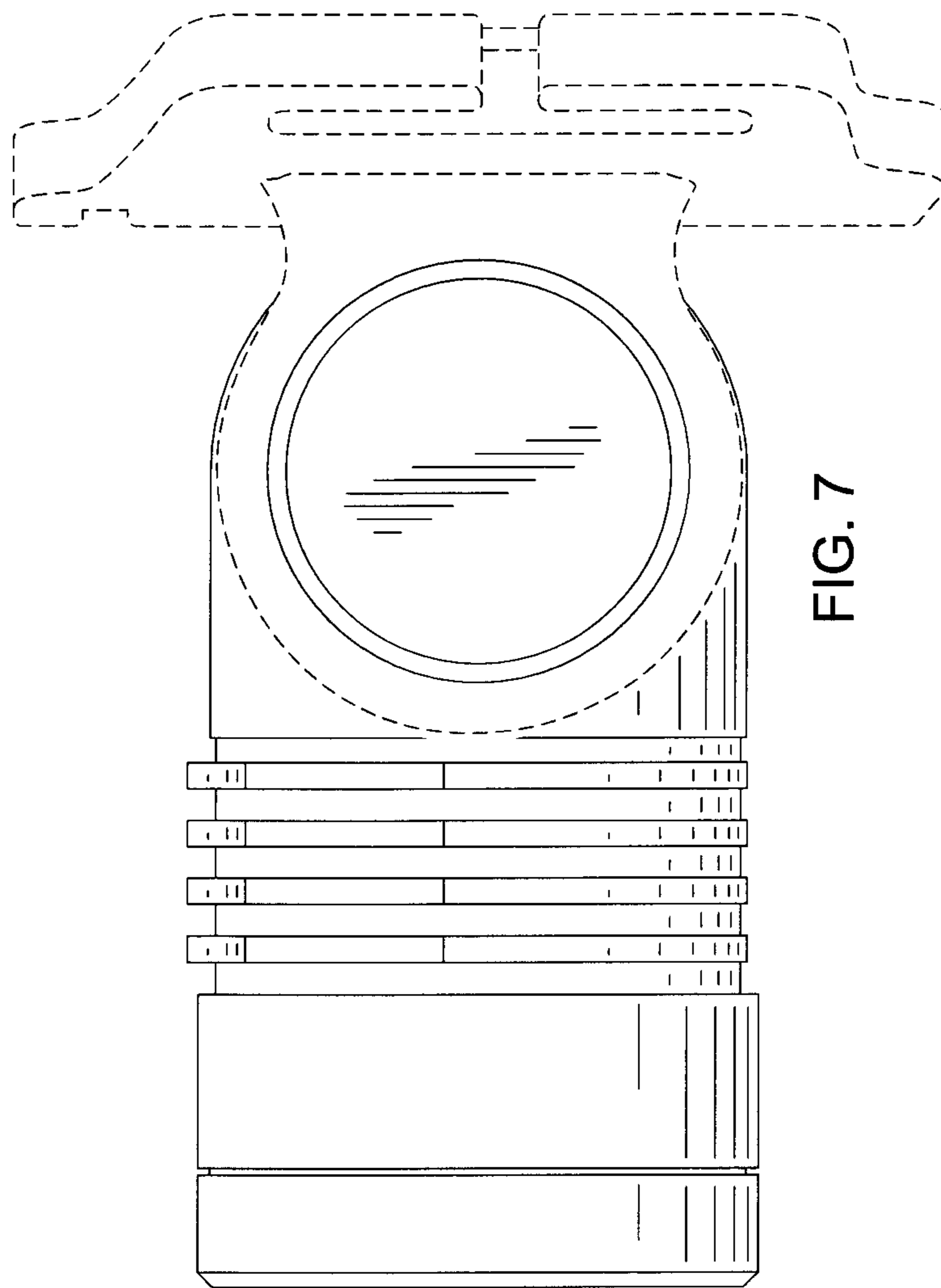


FIG. 7

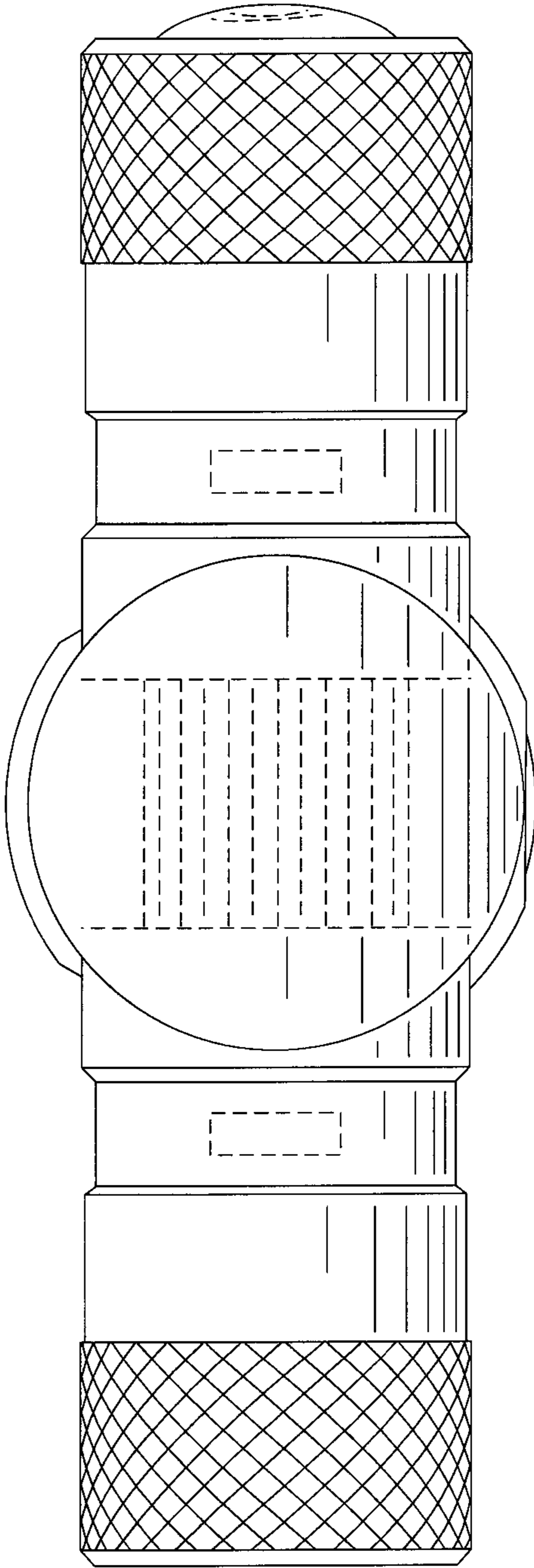


FIG. 8