

US00D729425S

(12) **United States Design Patent**
Wright

(10) **Patent No.:** **US D729,425 S**

(45) **Date of Patent:** **** May 12, 2015**

(54) **PORTABLE LIGHT**

(71) Applicant: **Elite Lifestyle Products**, Montreal (CA)

(72) Inventor: **Clifford Wright**, San Diego, CA (US)

(73) Assignee: **Elite Lifestyle Products**, Montreal (CA)

(**) Term: **14 Years**

(21) Appl. No.: **29/462,054**

(22) Filed: **Jul. 30, 2013**

(51) **LOC (10) Cl.** **26-02**

(52) **U.S. Cl.**

USPC **D26/37**

(58) **Field of Classification Search**

CPC F21L 2/00; F21L 4/00; F21L 4/005;
F21L 17/00; F21L 13/08; F21Y 2101/00;
F21V 21/30; F21V 21/406; F21W 2131/406;
F21W 2131/407

USPC D26/37, 38, 39, 40, 41, 46, 60;
362/157, 158, 183, 184, 194-196,
362/202-208

See application file for complete search history.

(56) **References Cited**

U.S. PATENT DOCUMENTS

D297,518 S *	9/1988	Yuen	D10/106.1
D346,982 S *	5/1994	Greene et al.	D10/106.6
D355,272 S *	2/1995	Chabria	D26/46
D361,143 S *	8/1995	Helvey	D26/39
D362,816 S *	10/1995	Yuen	D10/106.1
D375,569 S *	11/1996	Hwang	D26/37
D392,202 S *	3/1998	Nitzberg	D10/106.1
D411,894 S *	7/1999	Rick	D26/39
D419,891 S *	2/2000	Chan	D10/5
6,213,619 B1 *	4/2001	Yu	362/103
D475,149 S *	5/2003	Chun	D26/37
D477,432 S *	7/2003	Parsons	D26/37
D495,074 S *	8/2004	Oas	D26/37
D518,584 S *	4/2006	Chan	D26/37
D524,474 S *	7/2006	Lo et al.	D26/60

D525,536 S * 7/2006 Chan D10/2
D553,276 S * 10/2007 Campbell et al. D26/37

(Continued)

Primary Examiner — Ian Simmons

Assistant Examiner — Carissa C Fitts

(74) *Attorney, Agent, or Firm* — McDonnell Boehnen Hulbert & Berghoff LLP

(57) **CLAIM**

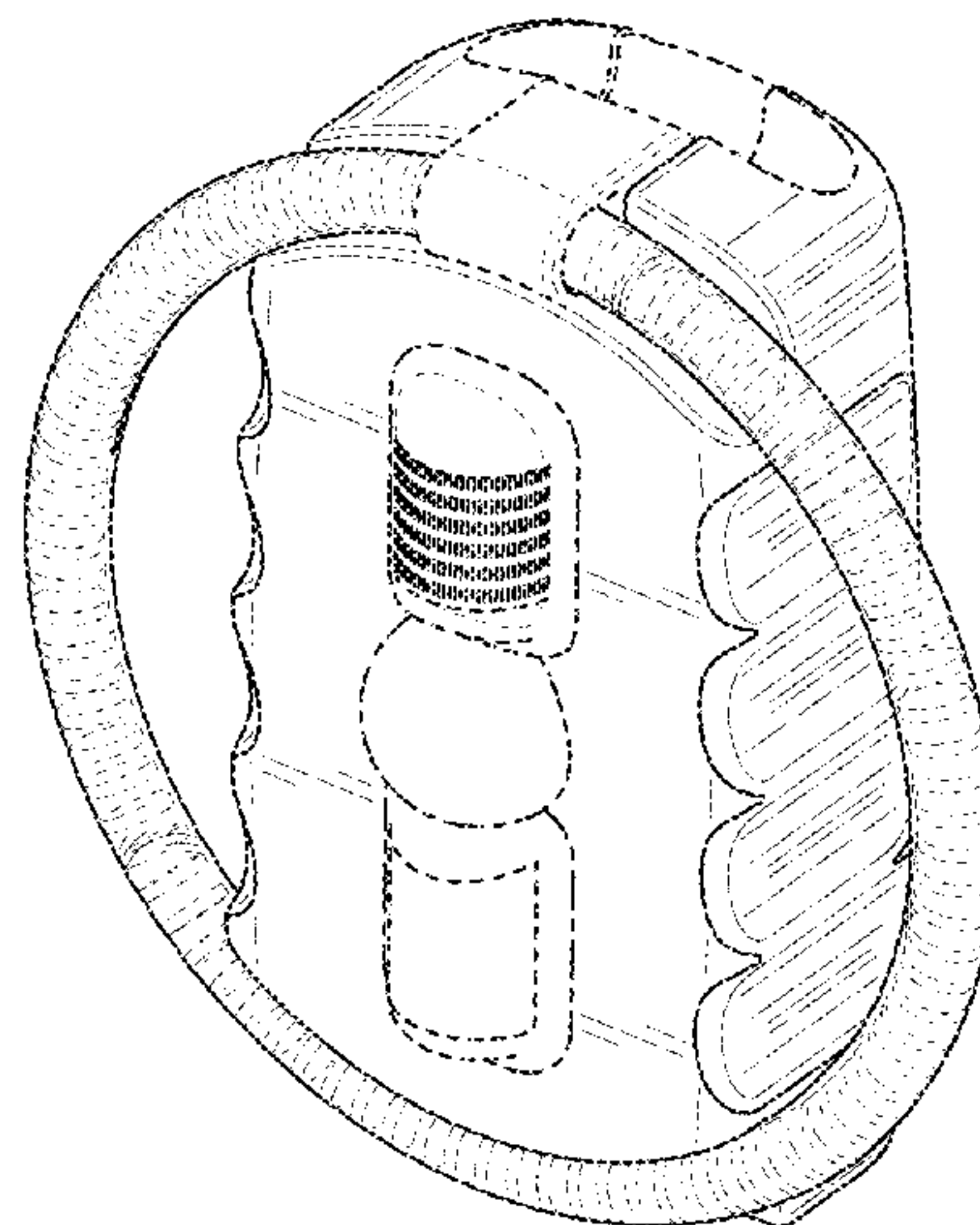
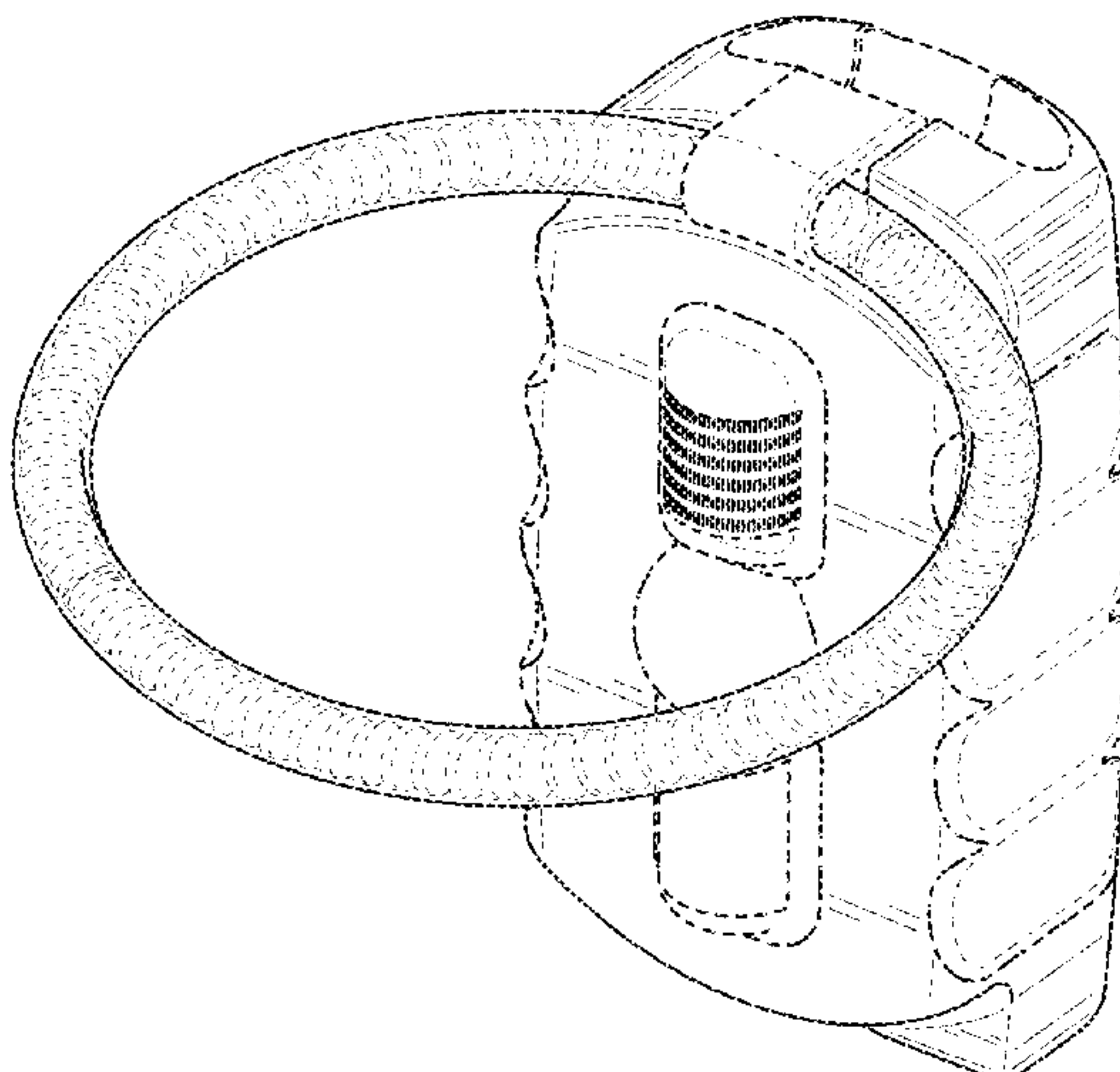
The ornamental design for a portable light, as shown and described.

DESCRIPTION

FIG. 1 is a perspective view of a portable light shown in a first position, according to a first embodiment of my new design; FIG. 2 is a front elevation view thereof; FIG. 3 is a rear elevation view thereof; FIG. 4 is a left side elevation view thereof; FIG. 5 is a right side elevation view thereof; FIG. 6 is a top plan view thereof; FIG. 7 is a bottom plan view thereof; FIG. 8 is a perspective view thereof shown in a second position; FIG. 9 is a perspective view of a portable light shown in a first position, according to a second embodiment of my new design; FIG. 10 is a front elevation view thereof; FIG. 11 is a rear elevation view thereof; FIG. 12 is a left side elevation view thereof; FIG. 13 is a right side elevation view thereof; FIG. 14 is a top plan view thereof; FIG. 15 is a bottom plan view thereof; and, FIG. 16 is a perspective view thereof shown in a second position.

Throughout the Figures, where shown: the dotted lines showing structures of the portable light form no part of the claimed design and the dotted/dashed lines illustrate unclaimed boundaries of surfaces claimed as part of the design.

1 Claim, 16 Drawing Sheets



(56)

References Cited

U.S. PATENT DOCUMENTS

D574,527 S * 8/2008 Squires et al. D26/37
D593,693 S * 6/2009 Adamany et al. D26/37
D608,038 S * 1/2010 Chan D26/60

D657,651 S * 4/2012 Rubin et al. D8/105
D679,434 S * 4/2013 Conroy D26/39
D693,828 S * 11/2013 Akana et al. D14/480.1
D704,021 S * 5/2014 Rubin et al. D8/85

* cited by examiner

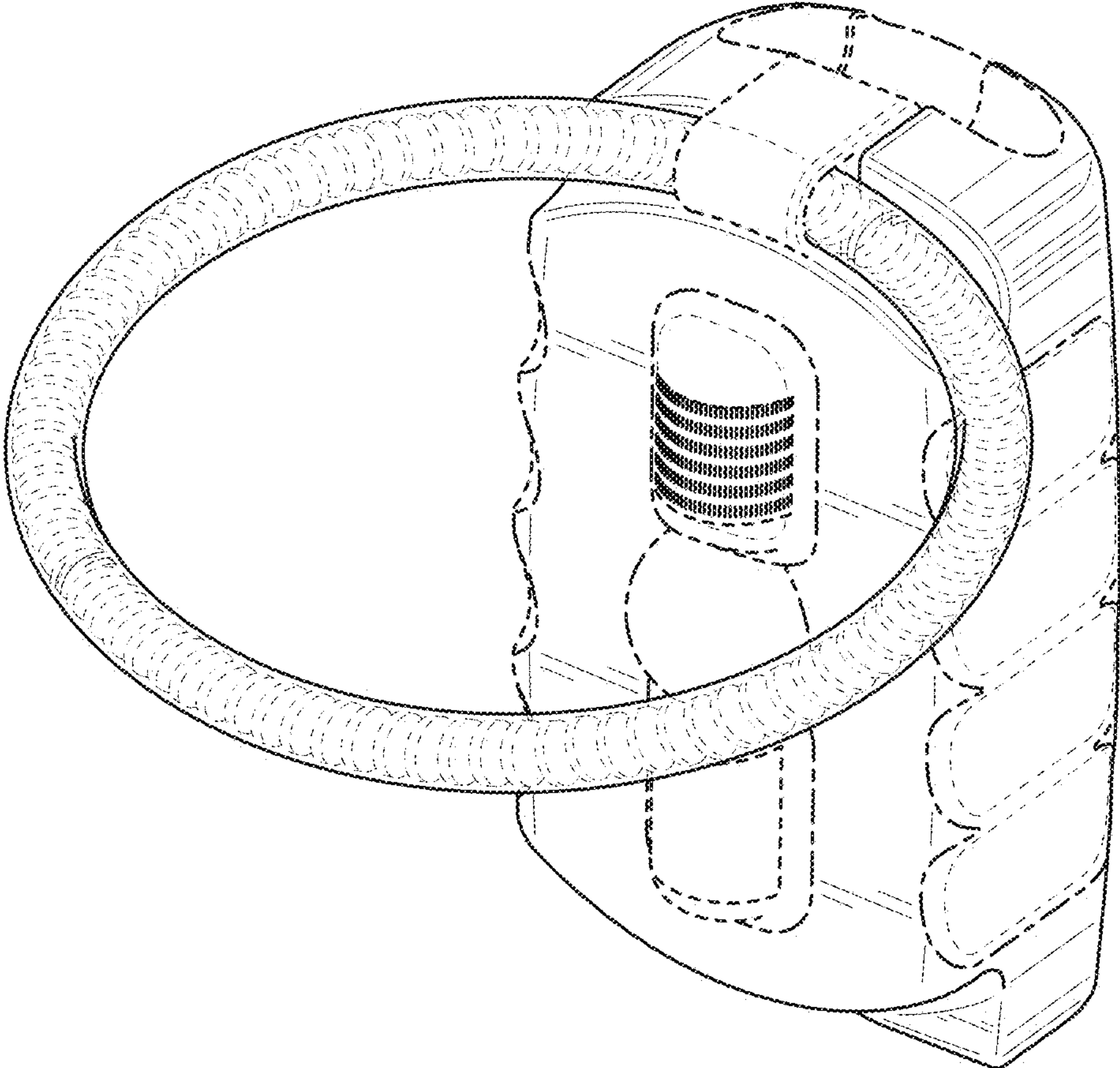


FIG. 1

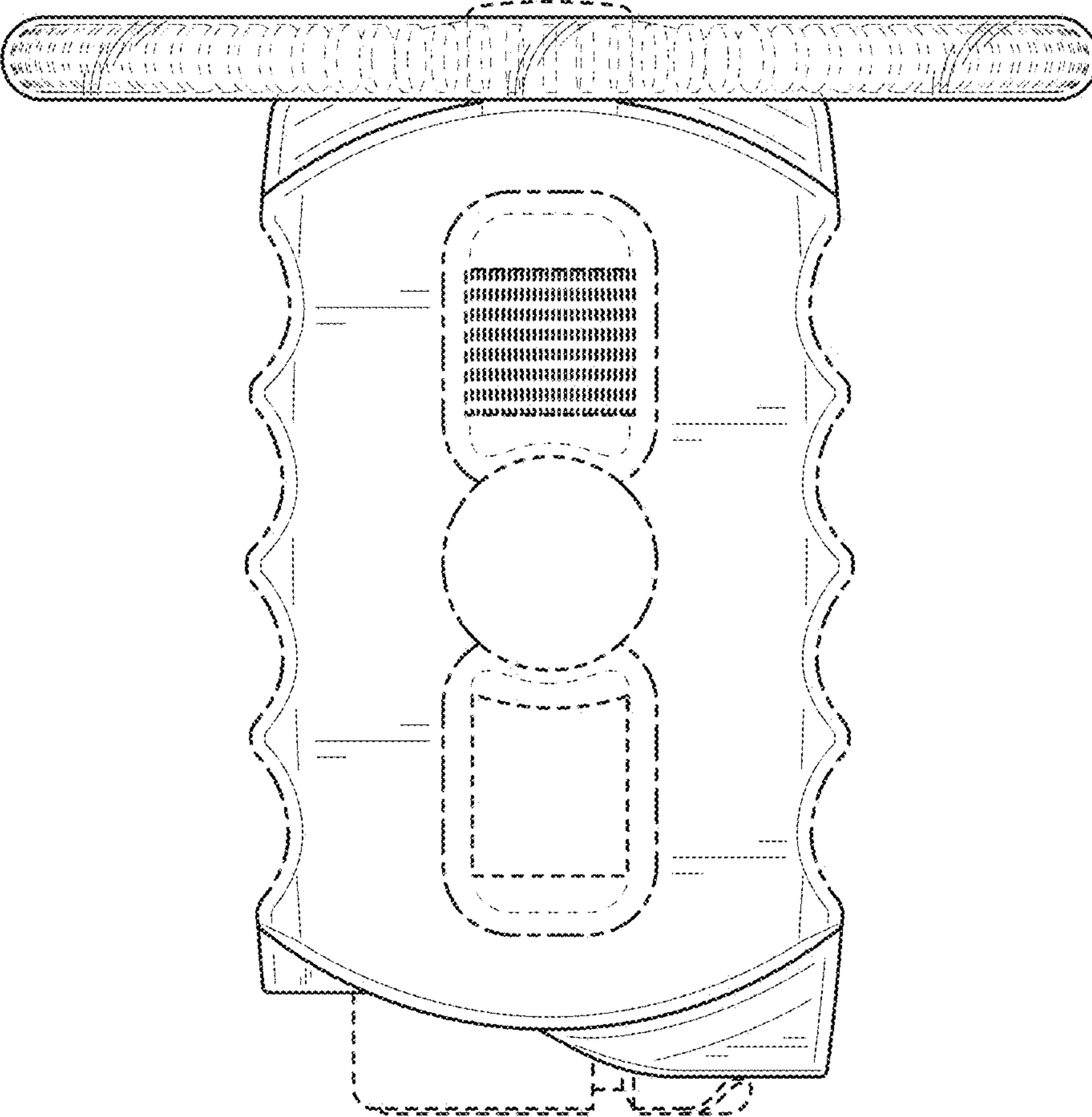


FIG. 2

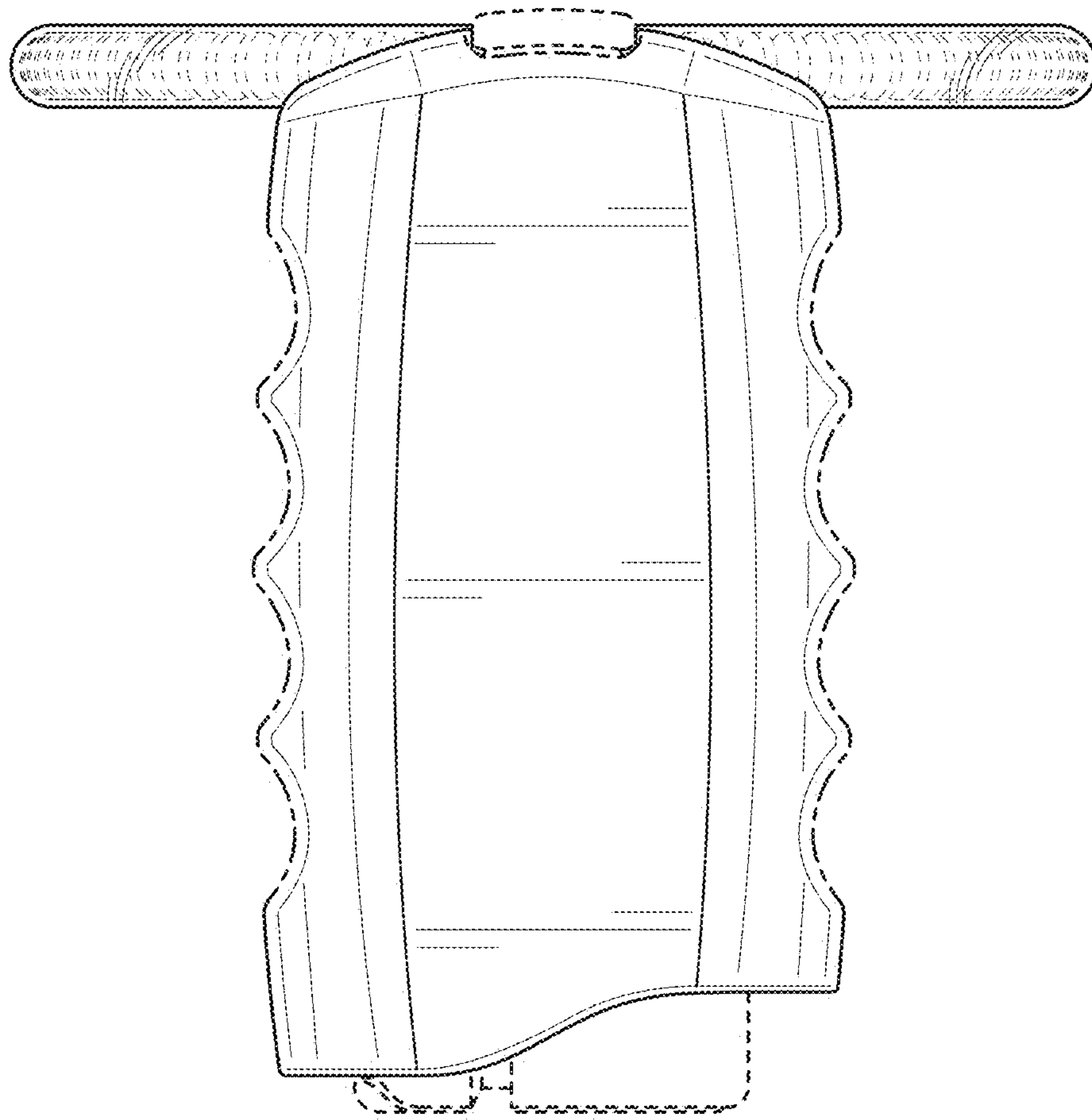


FIG. 3

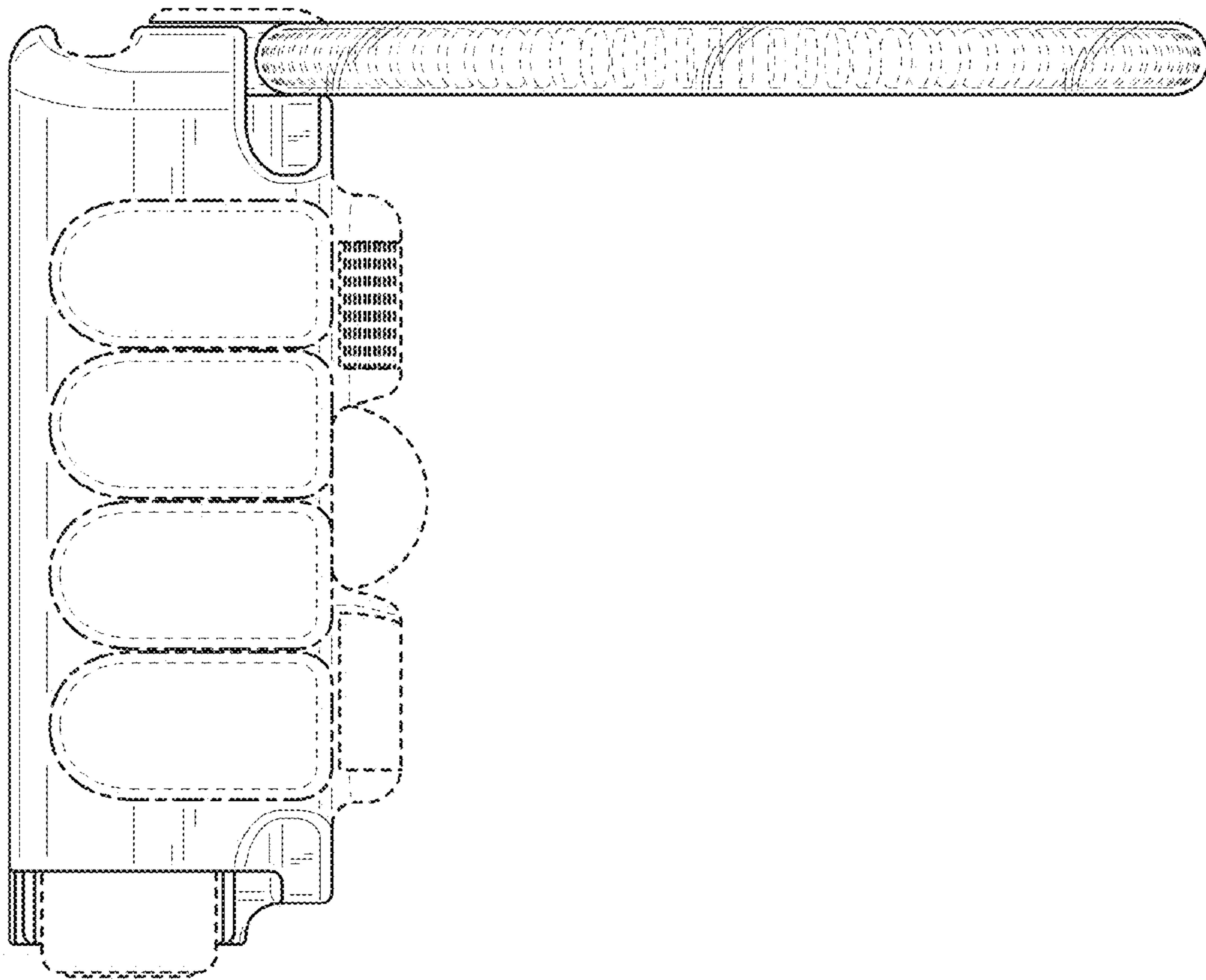


FIG. 4

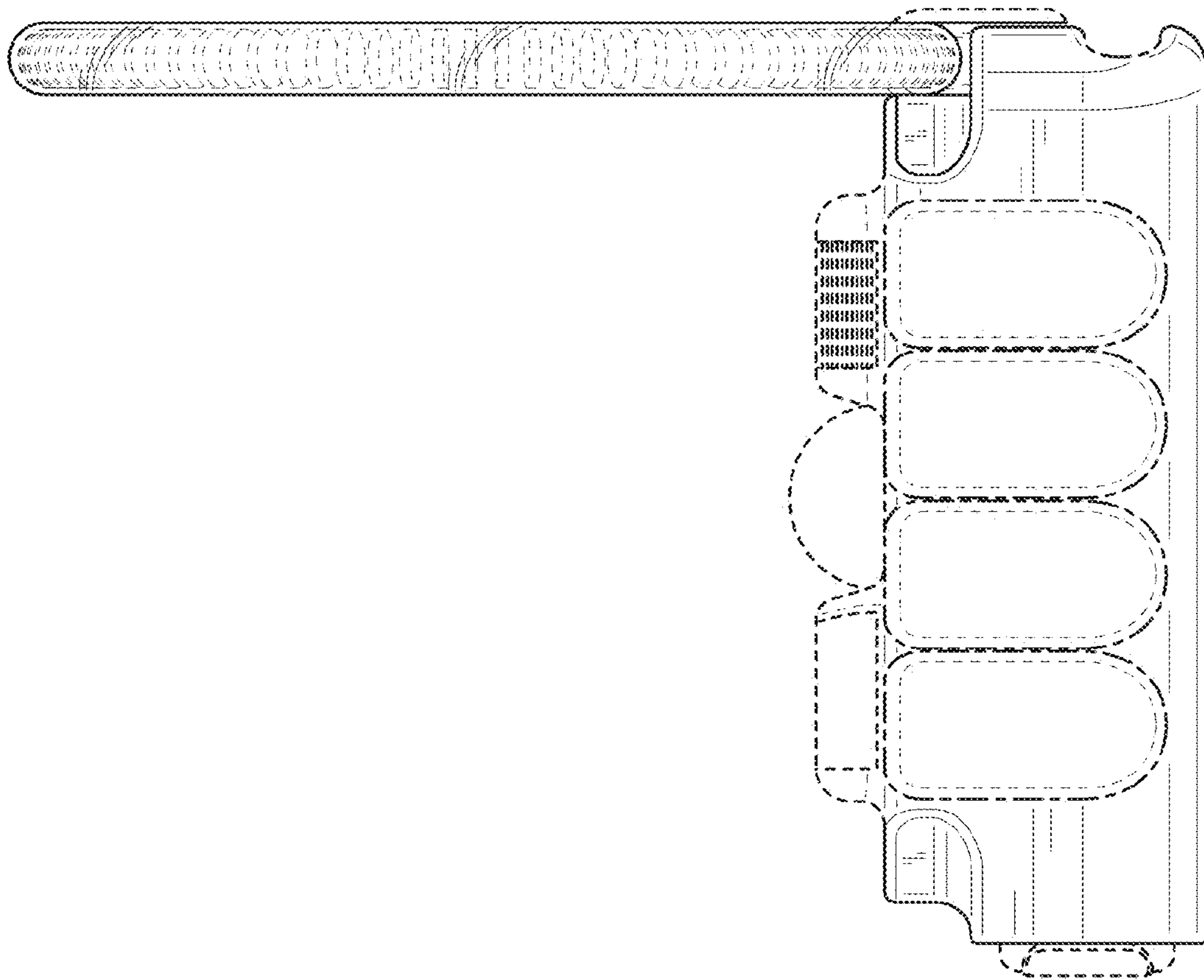


FIG. 5

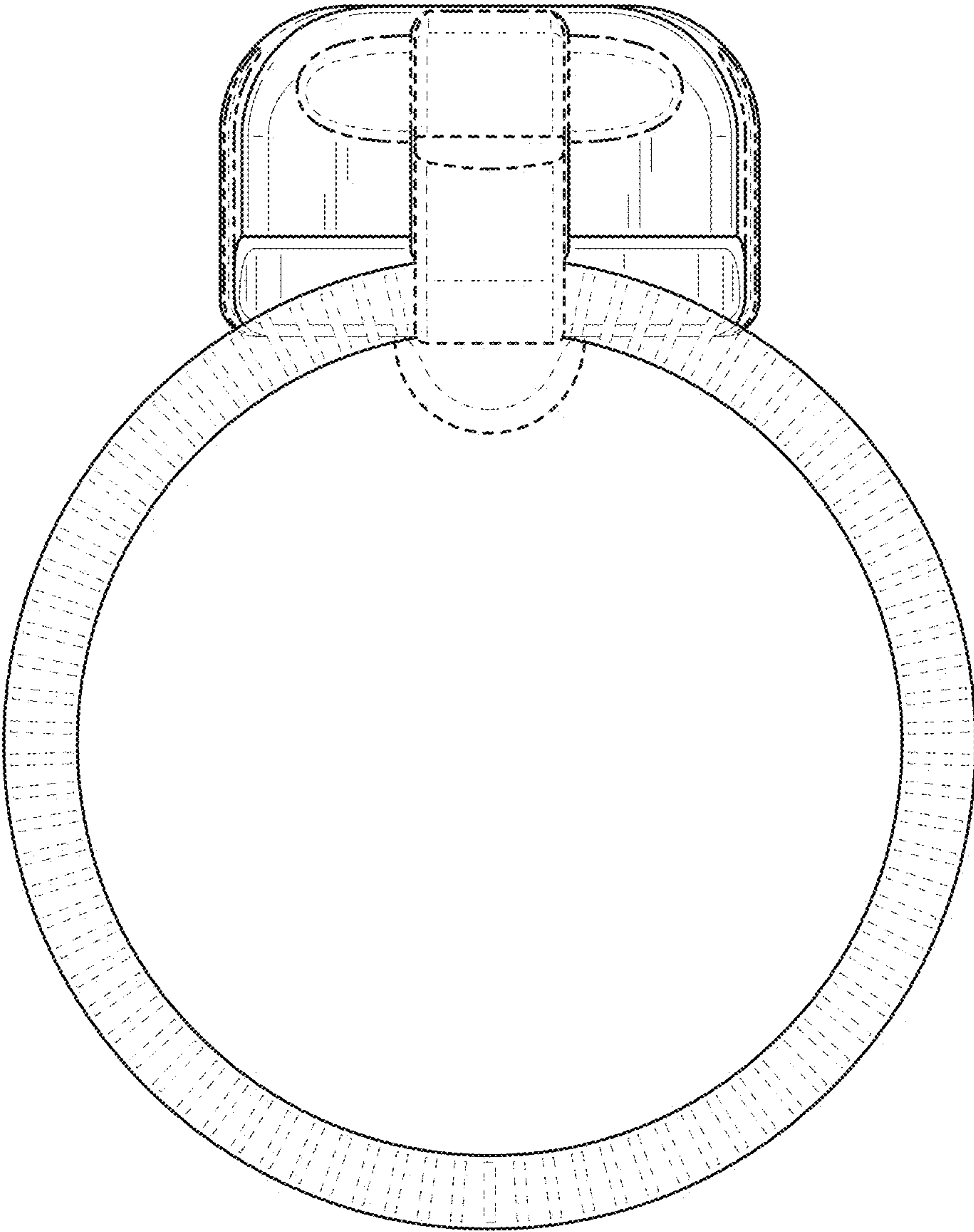


FIG. 6

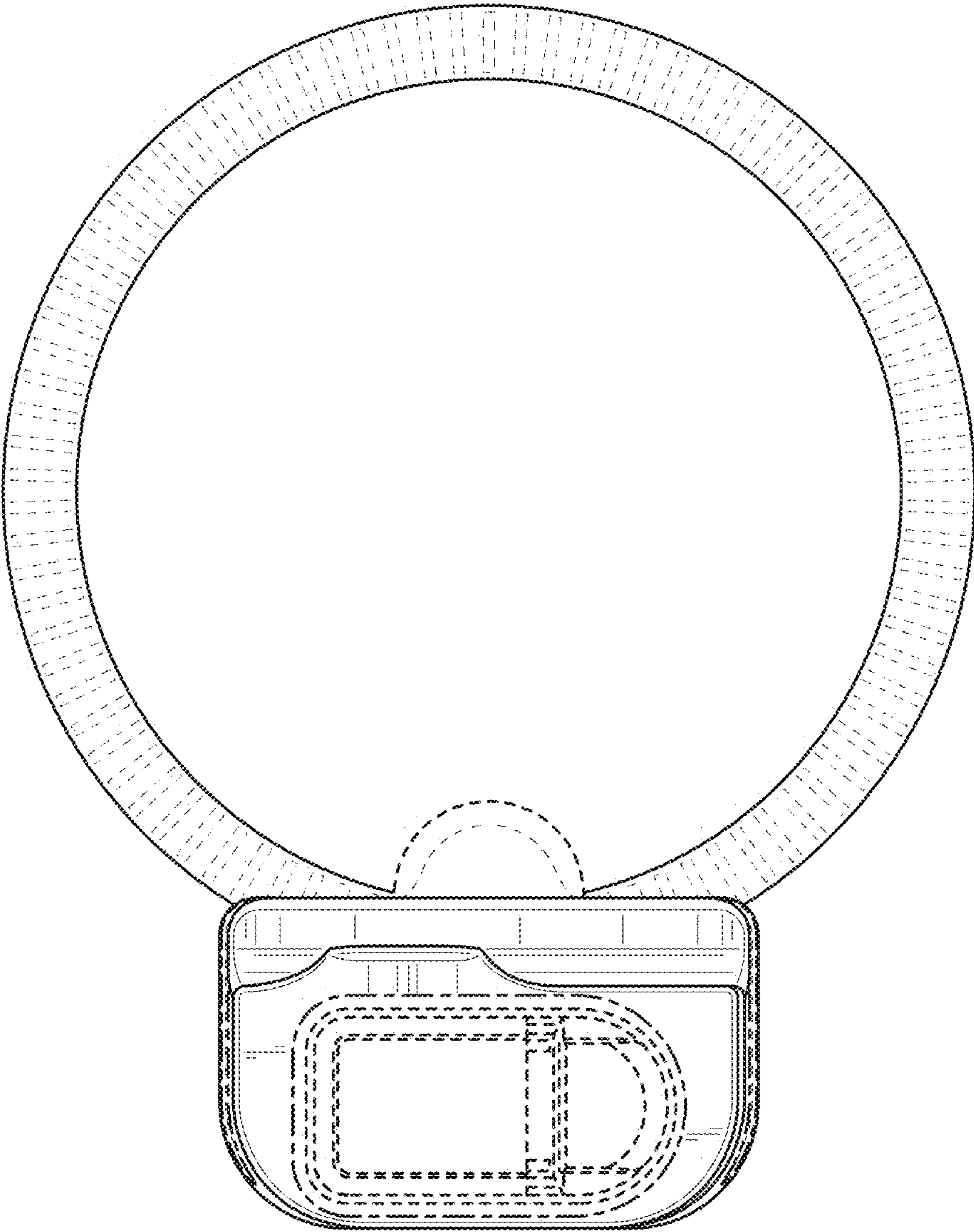


FIG. 7

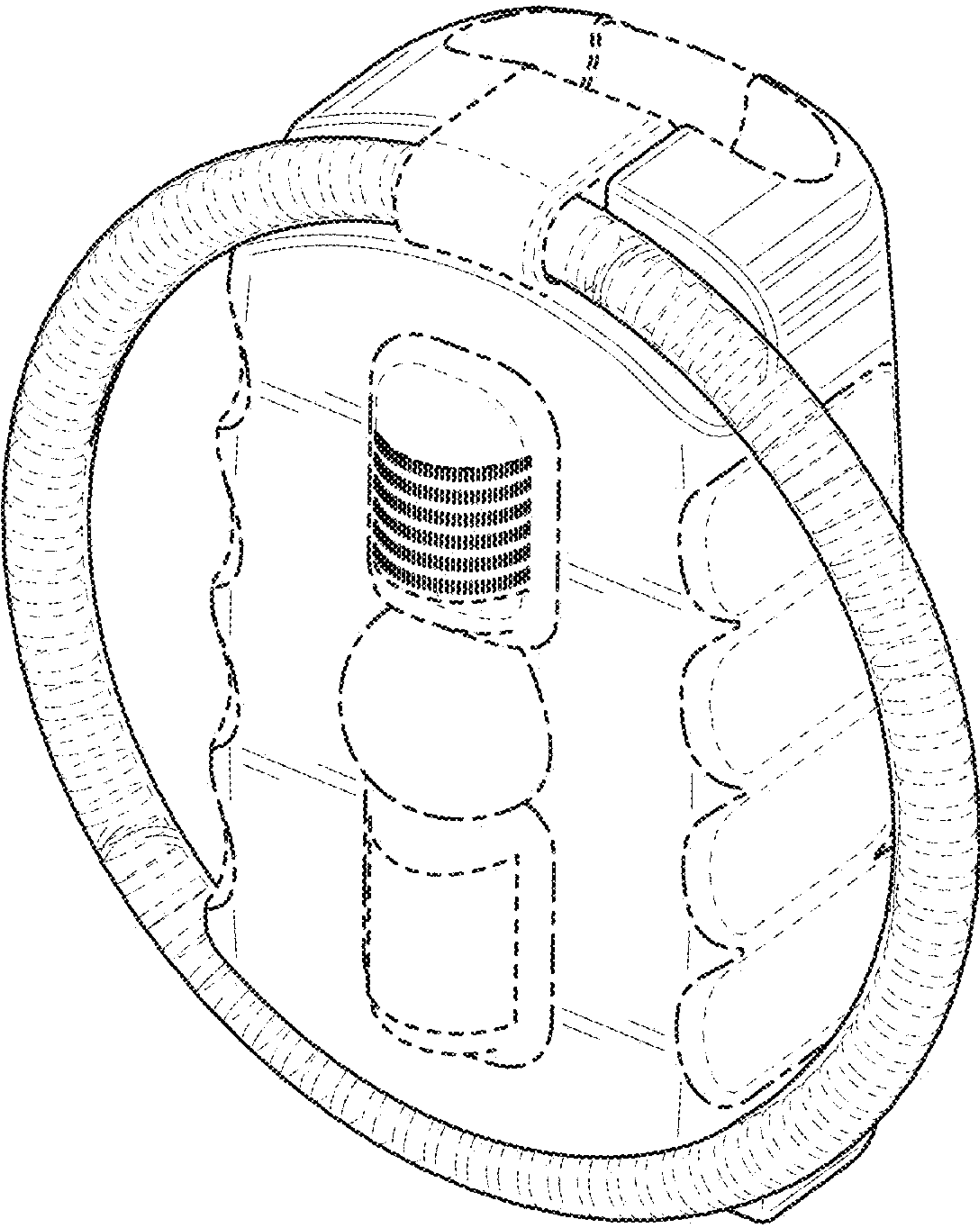


FIG. 8

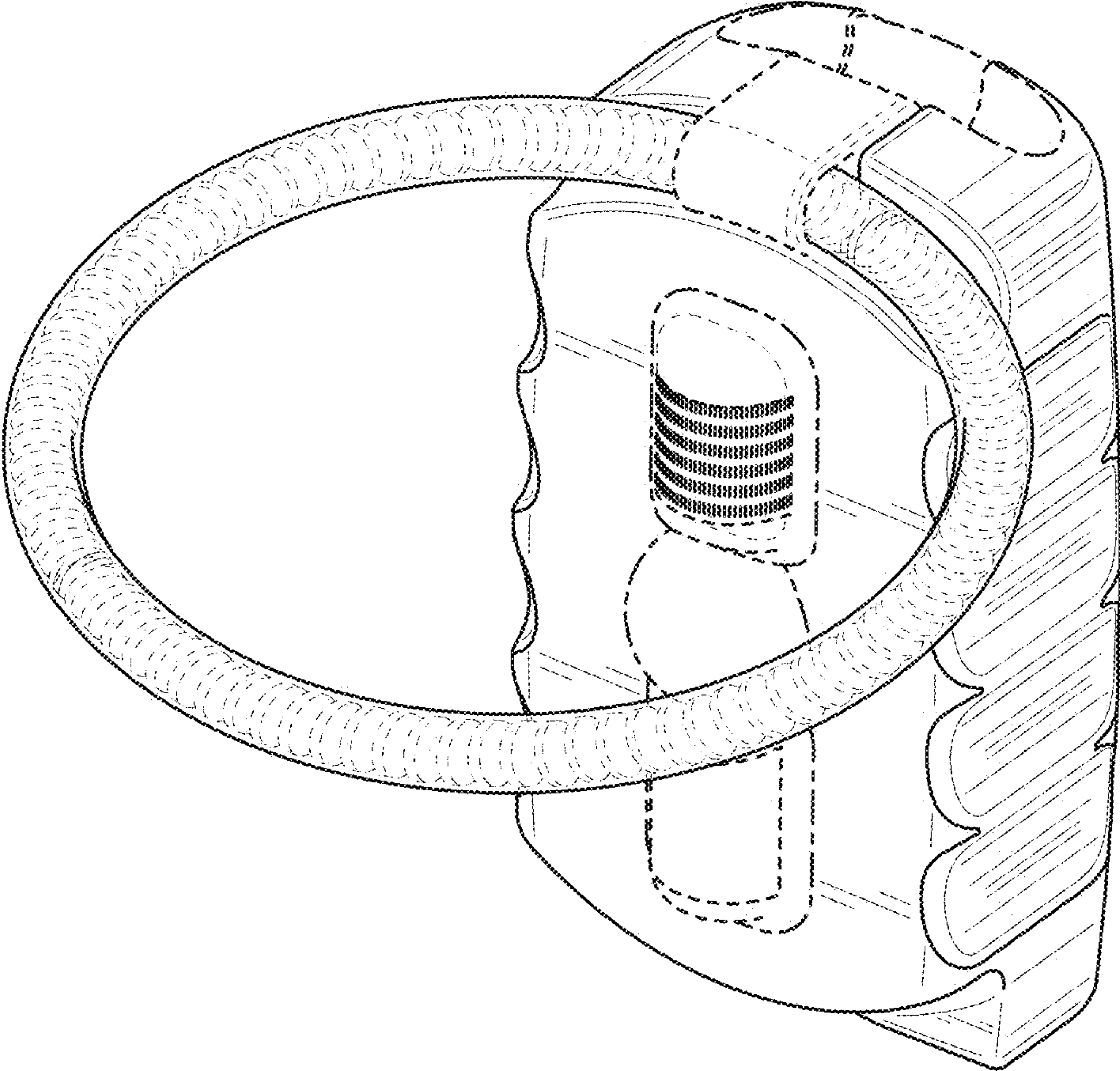


FIG. 9

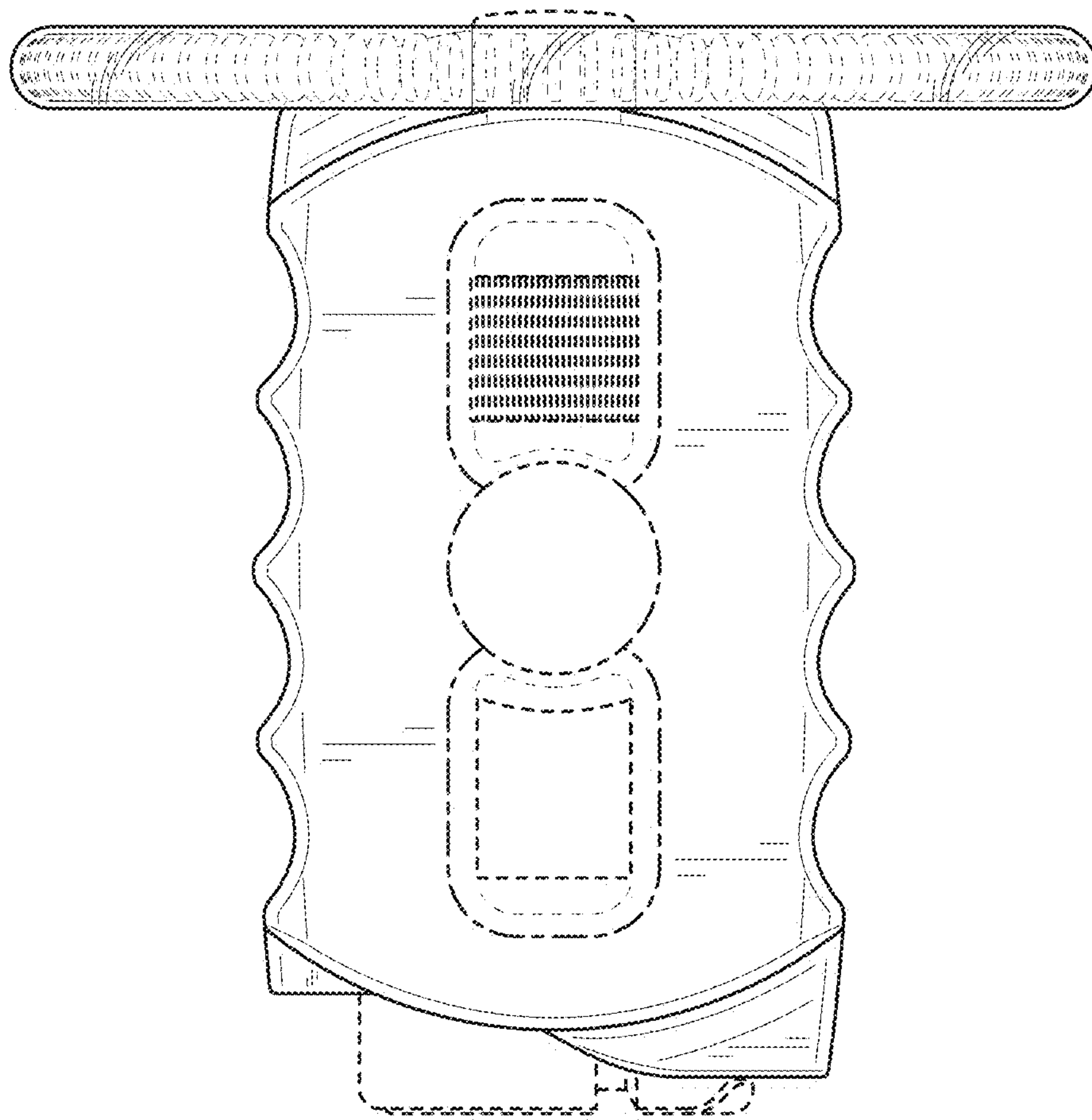


FIG. 10

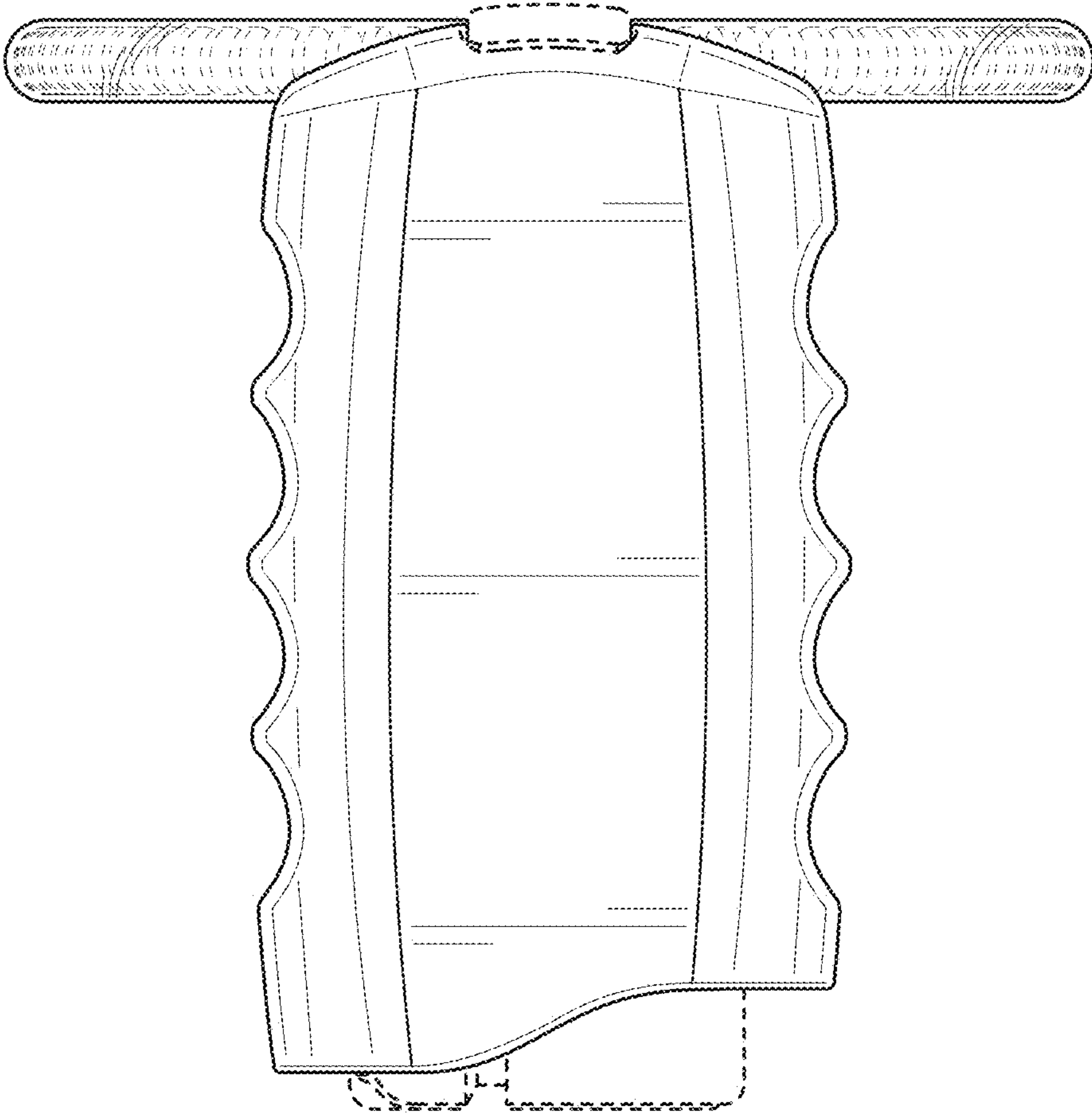


FIG. 11

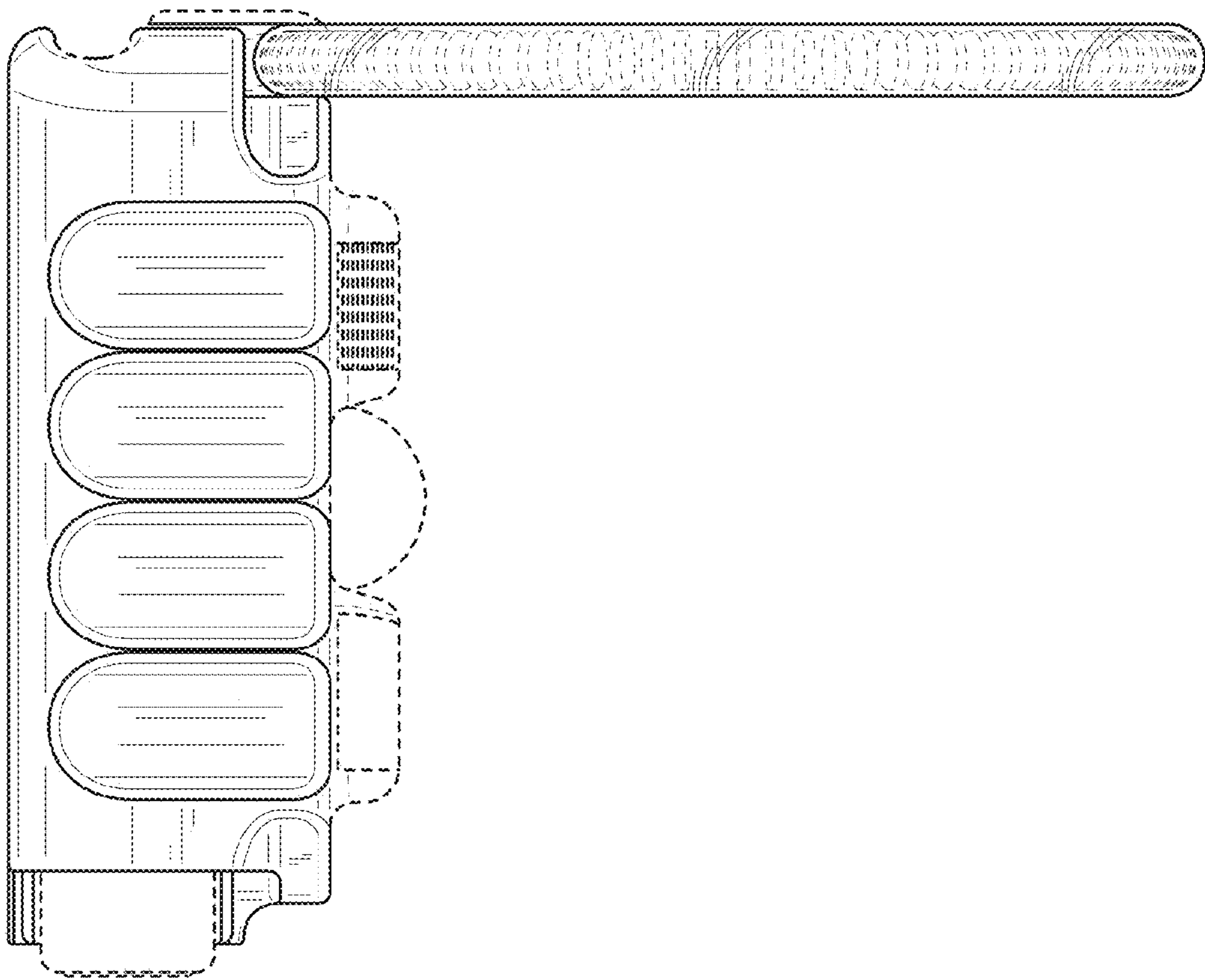


FIG. 12

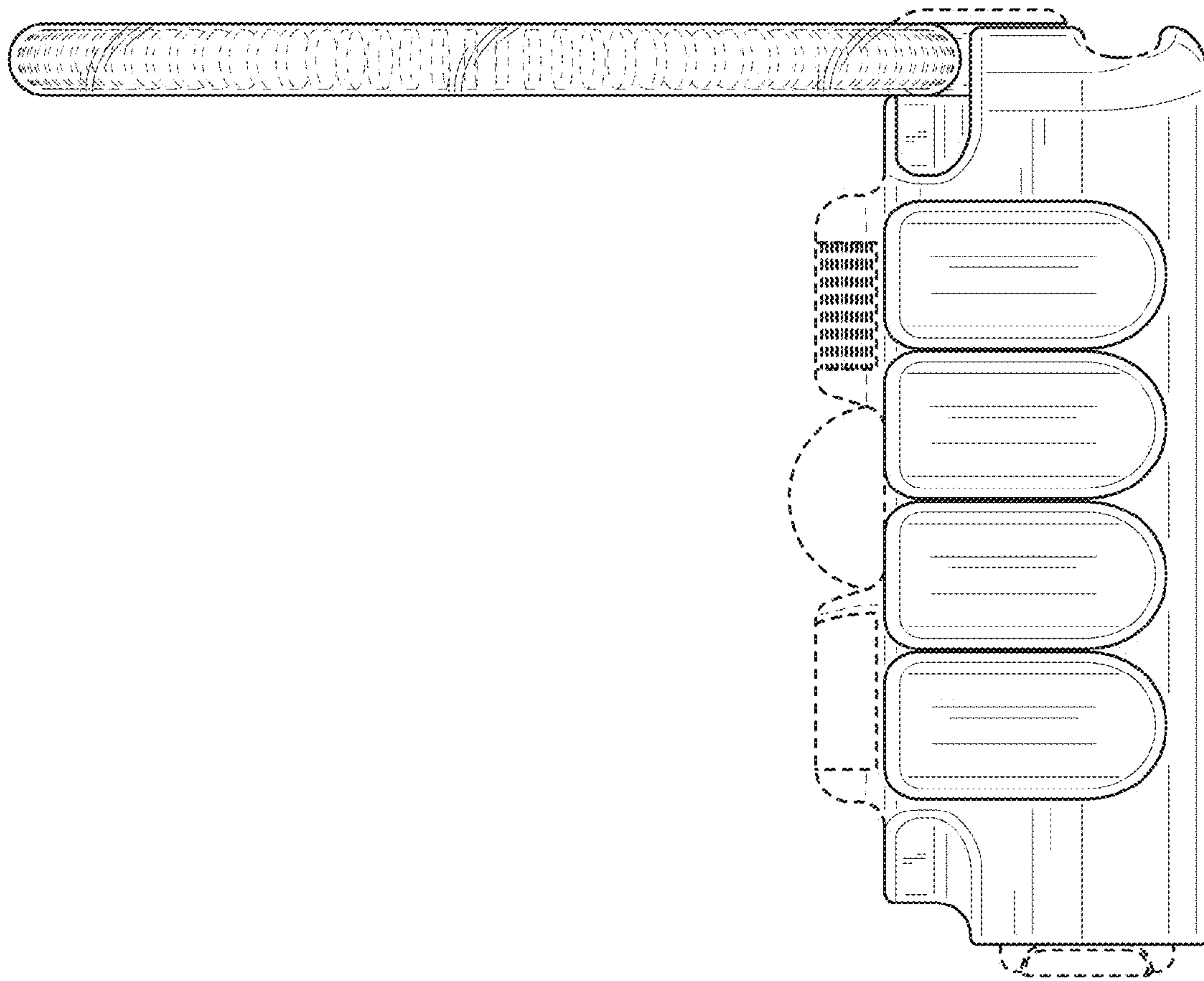


FIG. 13

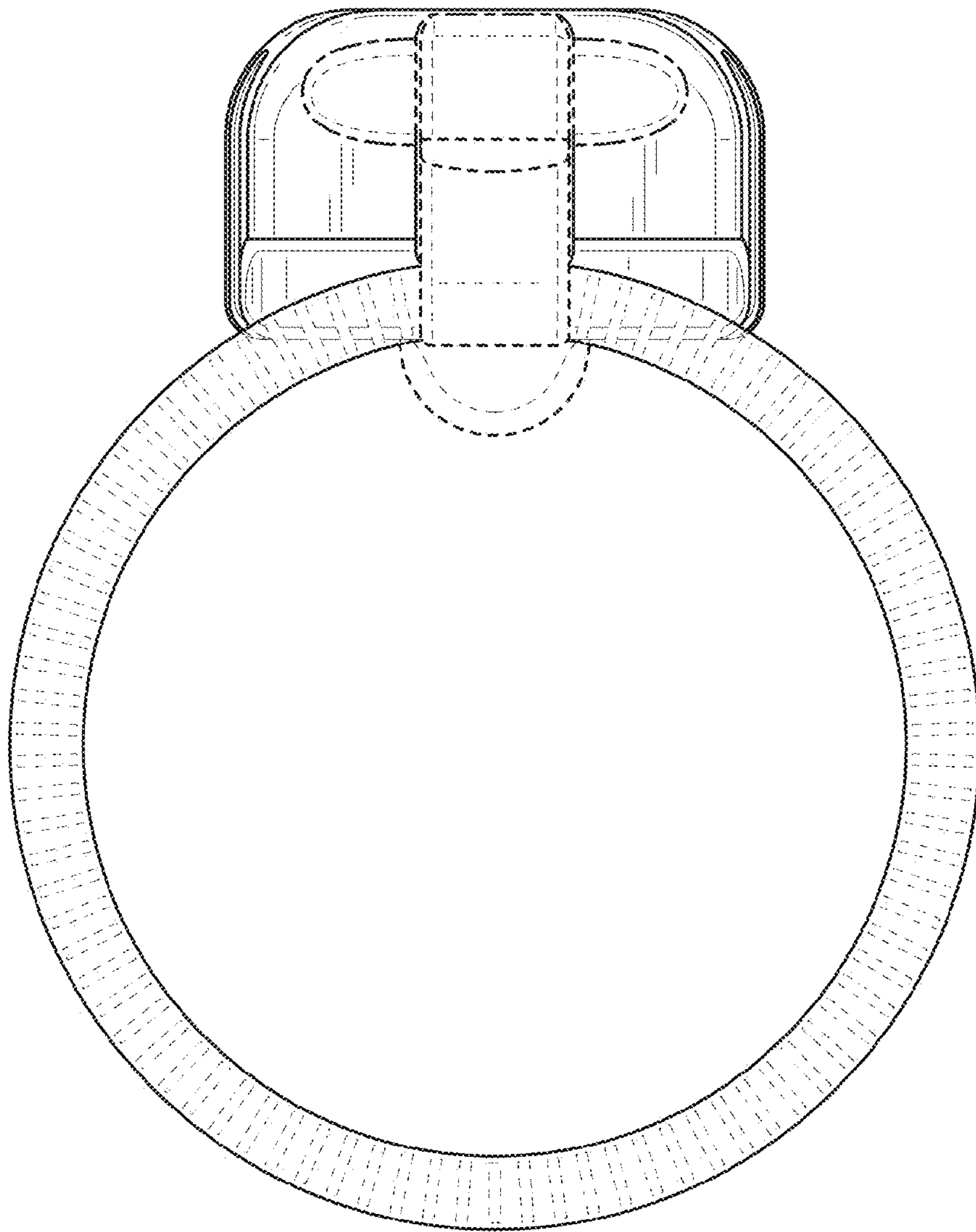


FIG. 14

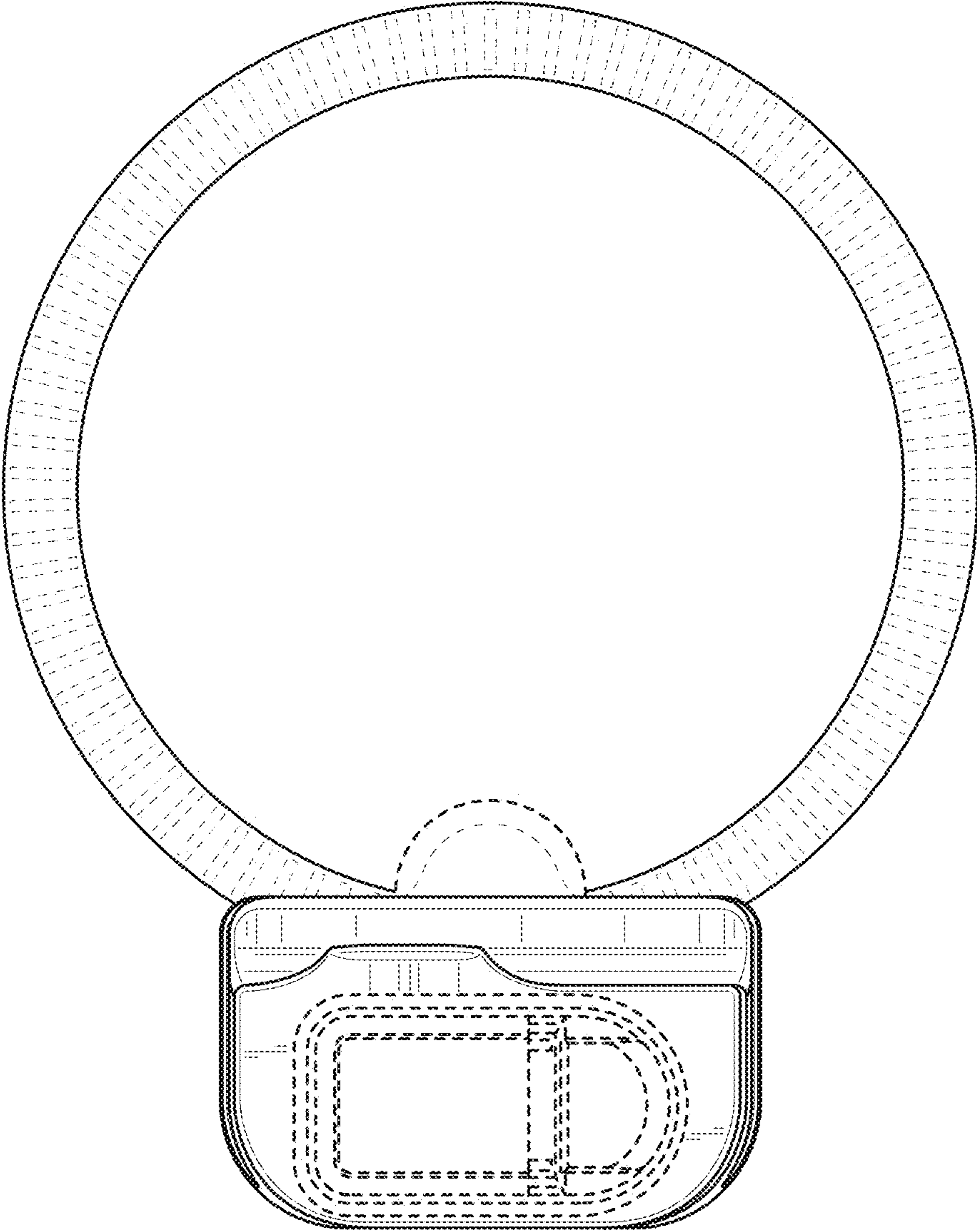


FIG. 15

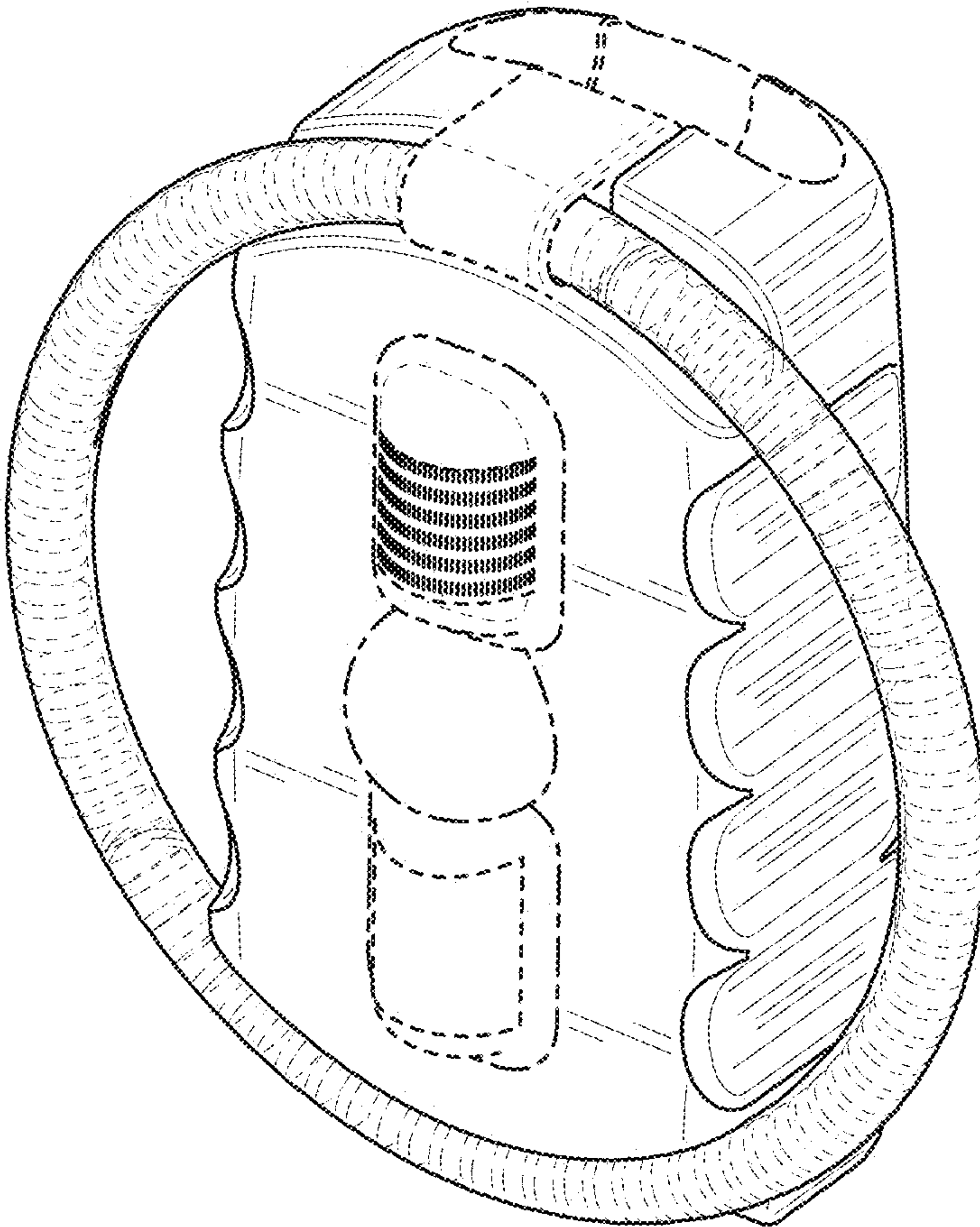


FIG. 16