



US00D729424S

(12) **United States Design Patent**
Li

(10) **Patent No.:** **US D729,424 S**

(45) **Date of Patent:** **** May 12, 2015**

(54) **ELECTRONIC LIGHTING DEVICE**

(71) Applicant: **Xiaofeng Li**, Shenzhen (CN)

(72) Inventor: **Xiaofeng Li**, Shenzhen (CN)

(**) Term: **14 Years**

(21) Appl. No.: **29/455,374**

(22) Filed: **May 20, 2013**

(51) **LOC (10) Cl.** **26-05**

(52) **U.S. Cl.**
USPC **D26/26**

(58) **Field of Classification Search**
USPC D26/5-7, 9, 10, 16, 26, 28, 36, 37, 90,
D26/92-94, 96, 102, 104, 105, 107, 108,
D26/110, 112, 120, 125, 130, 138, 142;
D23/364, 366-368; 362/101, 153.1,
362/161, 285, 640-644, 647, 649, 652-654,
362/810

See application file for complete search history.

(56) **References Cited**

U.S. PATENT DOCUMENTS

2,025,096	A *	12/1935	Deckert	D26/6
D102,561	S *	12/1936	Lamb	D26/5
2,229,403	A *	1/1941	Benander	439/575
2,509,219	A *	5/1950	Desmond et al.	D26/5
3,109,252	A *	11/1963	Schellenberg	40/554
3,522,886	A *	8/1970	Clinton et al.	210/345
3,780,260	A *	12/1973	Elsner	362/101
D242,621	S *	12/1976	Curran	D23/366
D286,323	S *	10/1986	Haworth	D23/366
D381,109	S *	7/1997	Wang	D26/107
D450,376	S *	11/2001	Gieseke et al.	D23/364
D450,861	S *	11/2001	Murdick	D26/7
D462,755	S *	9/2002	Basaganas Millan	D23/366
D474,854	S *	5/2003	Lam	D26/96
6,572,245	B2 *	6/2003	Stekelenburg	362/285
D497,986	S *	11/2004	Morillas	D23/366
6,860,624	B2 *	3/2005	Hille et al.	362/153.1
6,955,441	B1 *	10/2005	Chen	362/96
D544,088	S *	6/2007	Wu	D23/368

D567,993	S *	4/2008	Shiu	D26/102
D576,317	S *	9/2008	Jensen	D26/5
D583,451	S *	12/2008	Aloe et al.	D23/366
D599,053	S *	8/2009	Scott	D26/138
D615,698	S *	5/2010	Weiss	D26/142
D635,293	S *	3/2011	Weiss	D26/142
7,934,845	B2 *	5/2011	Yang	362/101
D642,329	S *	7/2011	Weiss	D26/142
D643,554	S *	8/2011	Decker	D26/6
D644,783	S *	9/2011	Chen	D26/125
D650,123	S *	12/2011	Chen	D26/130

(Continued)

Primary Examiner — Garth Rademaker

Assistant Examiner — Llorellys Martinez-Rivera

(74) *Attorney, Agent, or Firm* — Winthrop & Weinstine, P.A.

(57) **CLAIM**

The ornamental design for an electronic lighting device, as shown and described.

DESCRIPTION

FIG. 1 is a front perspective view of an electronic lighting device of the present disclosure;

FIG. 2 is a rear perspective view of the electronic lighting device of FIG. 1;

FIG. 3 is a right side view of the electronic lighting device of FIG. 1;

FIG. 4 is a front view of the electronic lighting device of FIG. 1;

FIG. 5 is a left side view of the electronic lighting device of FIG. 1;

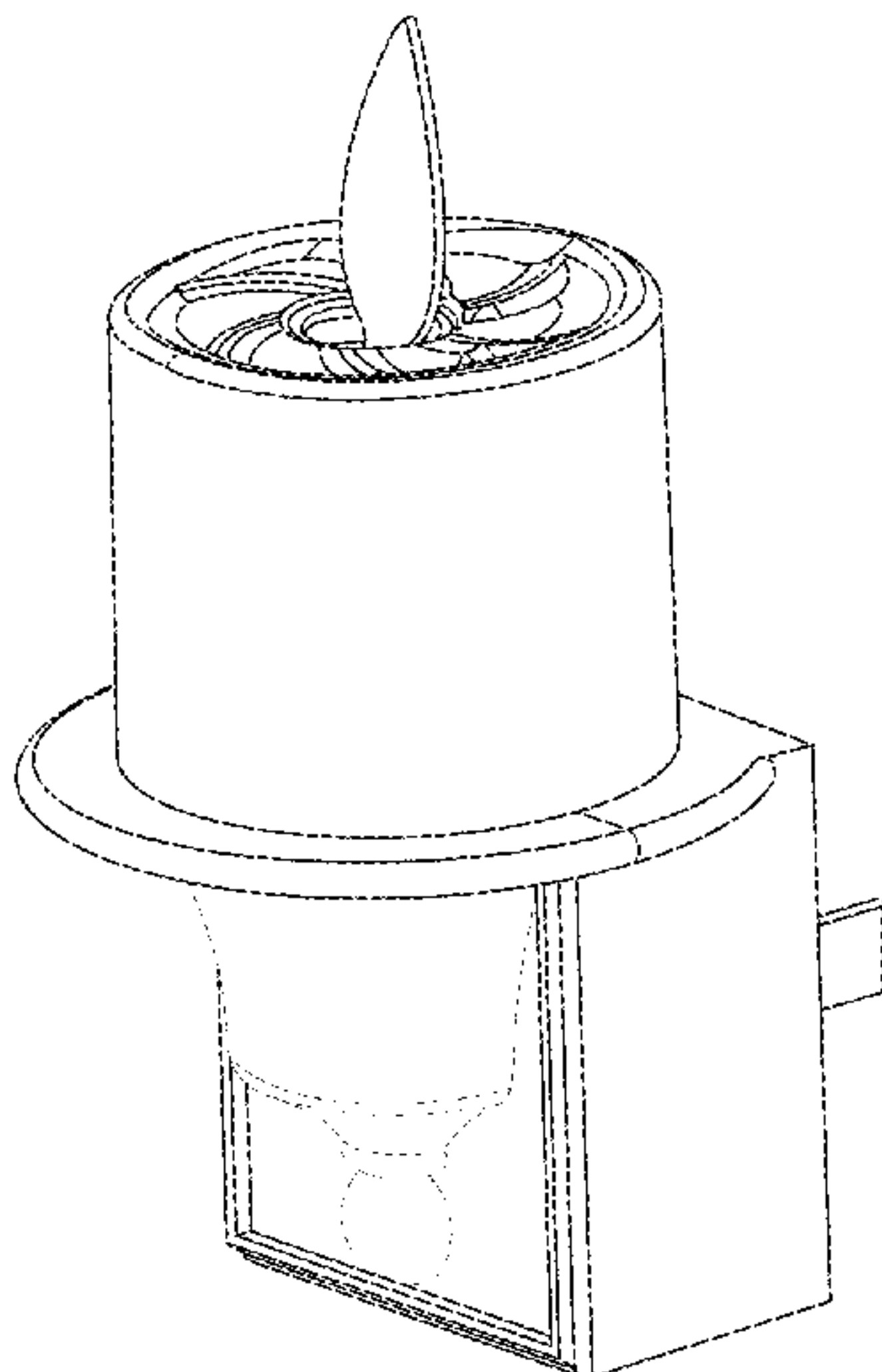
FIG. 6 is a back view of the electronic lighting device of FIG. 1;

FIG. 7 is a top view of the electronic lighting device of FIG. 1; and,

FIG. 8 is a bottom view of the electronic lighting device of FIG. 1.

The broken lines shown in FIGS. 1, 3-5, 7, and 8 illustrate portions of the electronic lighting device that form no part of the presently claimed design.

1 Claim, 8 Drawing Sheets



(56)

References Cited

U.S. PATENT DOCUMENTS

D654,616 S *	2/2012	Mechanic	D26/110	2008/0074875 A1*	3/2008	Jensen et al.	362/240
D665,108 S *	8/2012	Rein	D26/10	2009/0135586 A1*	5/2009	Yang	362/101
D677,828 S *	3/2013	Daniels	D26/102	2010/0085737 A1*	4/2010	Yang	362/101
2006/0209534 A1*	9/2006	Liu	362/161	2012/0134157 A1*	5/2012	Li	362/277
				2012/0298063 A1*	11/2012	Schieszl	123/184.21

* cited by examiner

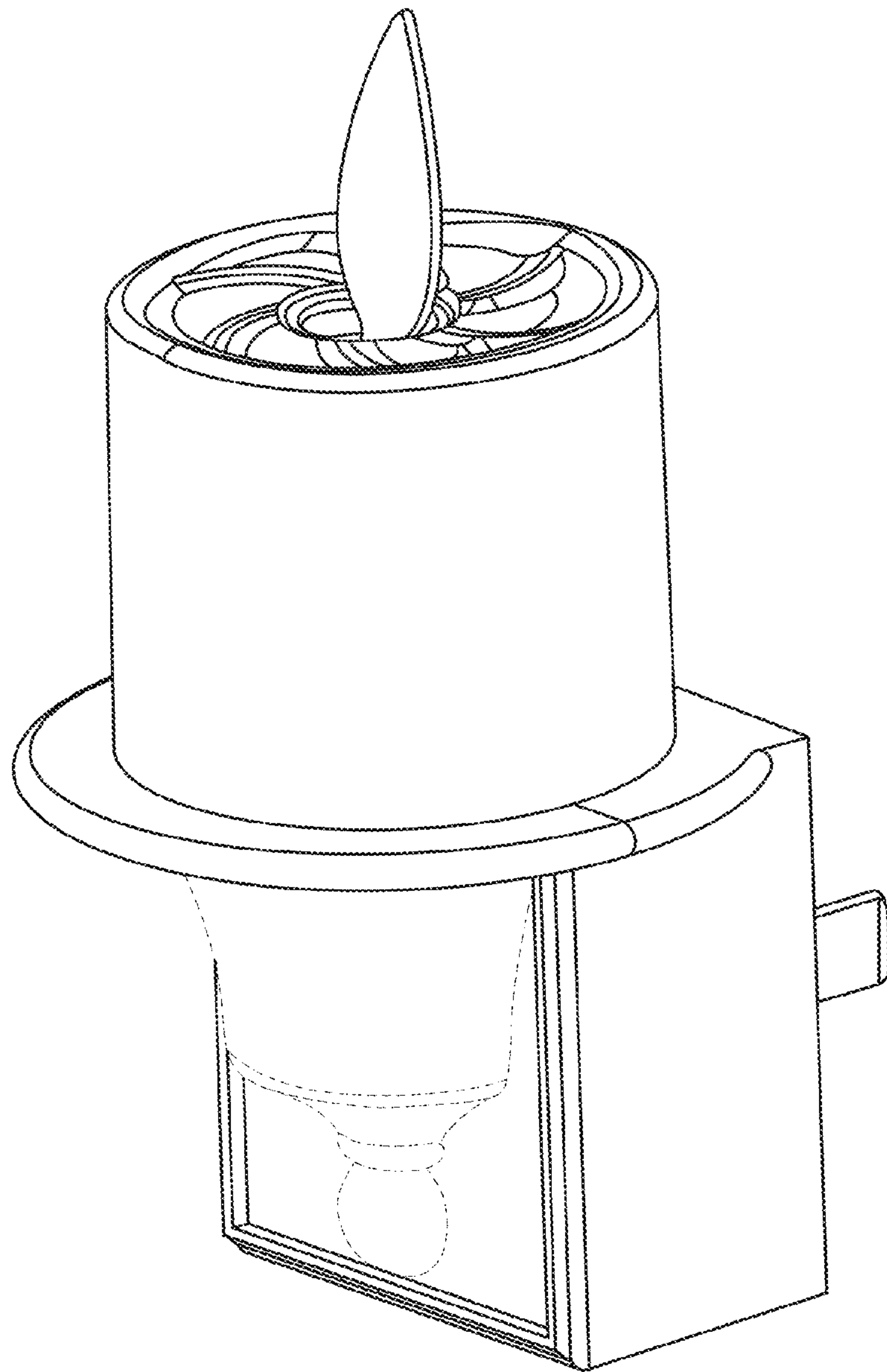


FIG. 1

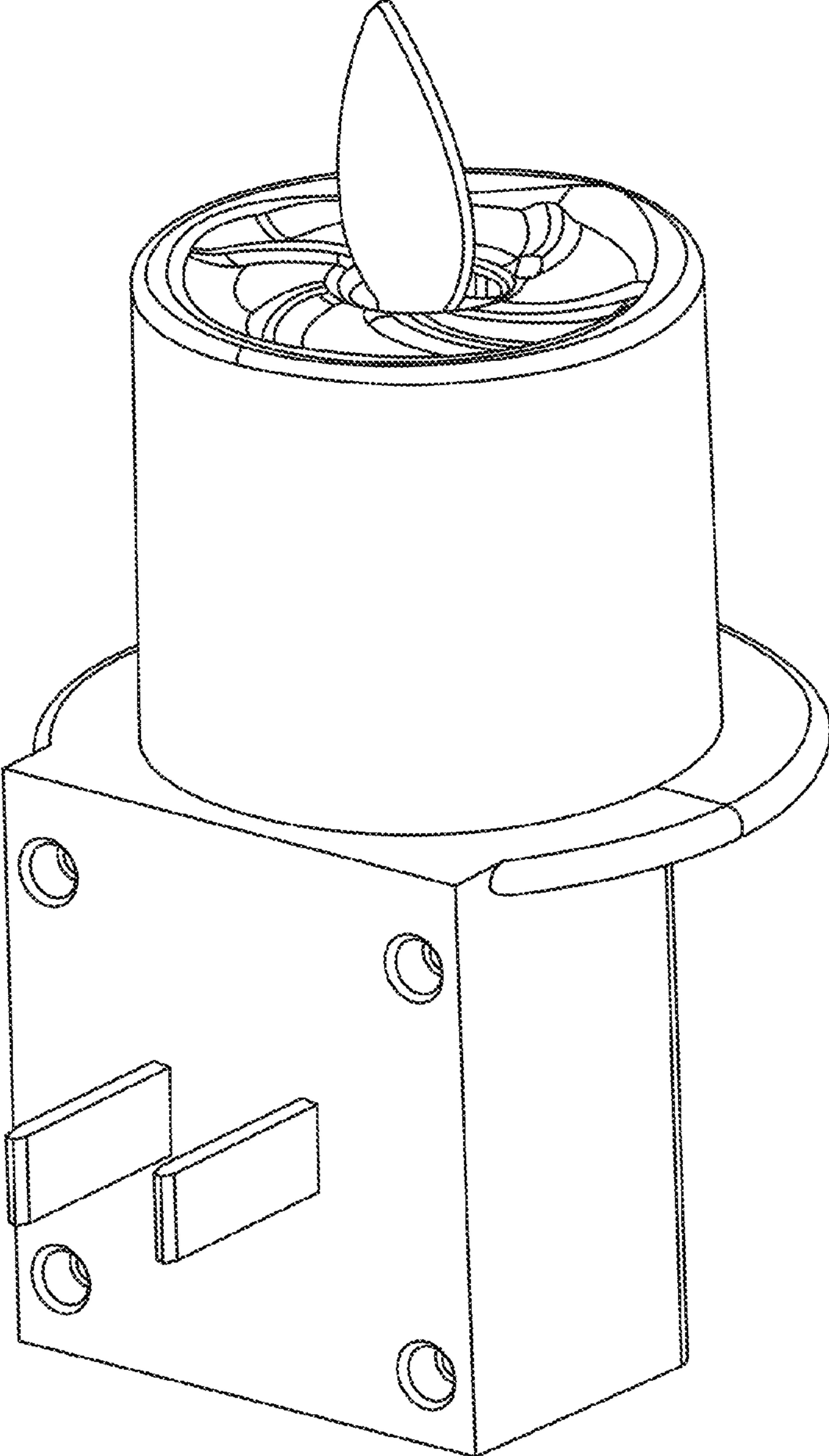


FIG. 2

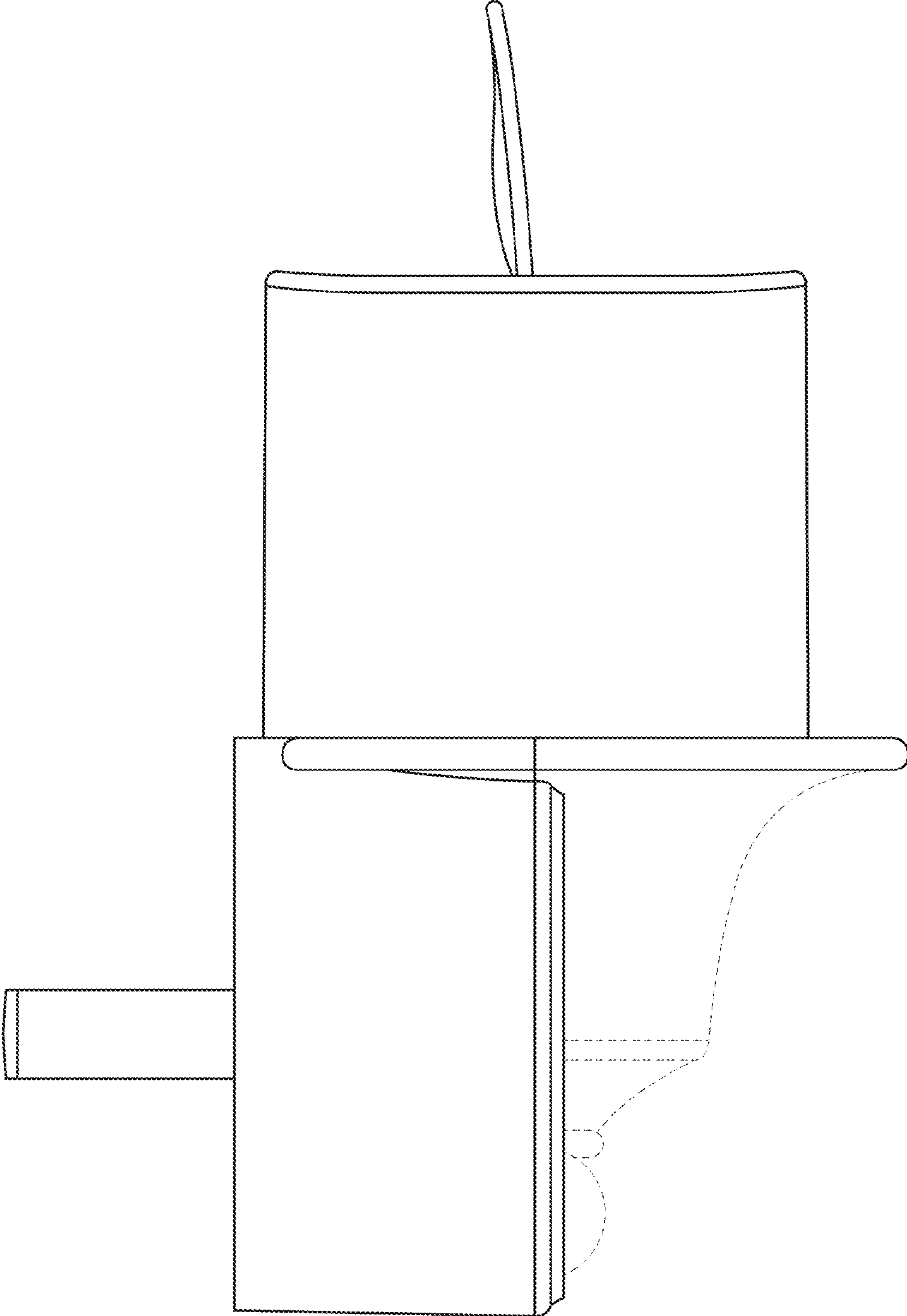


FIG. 3

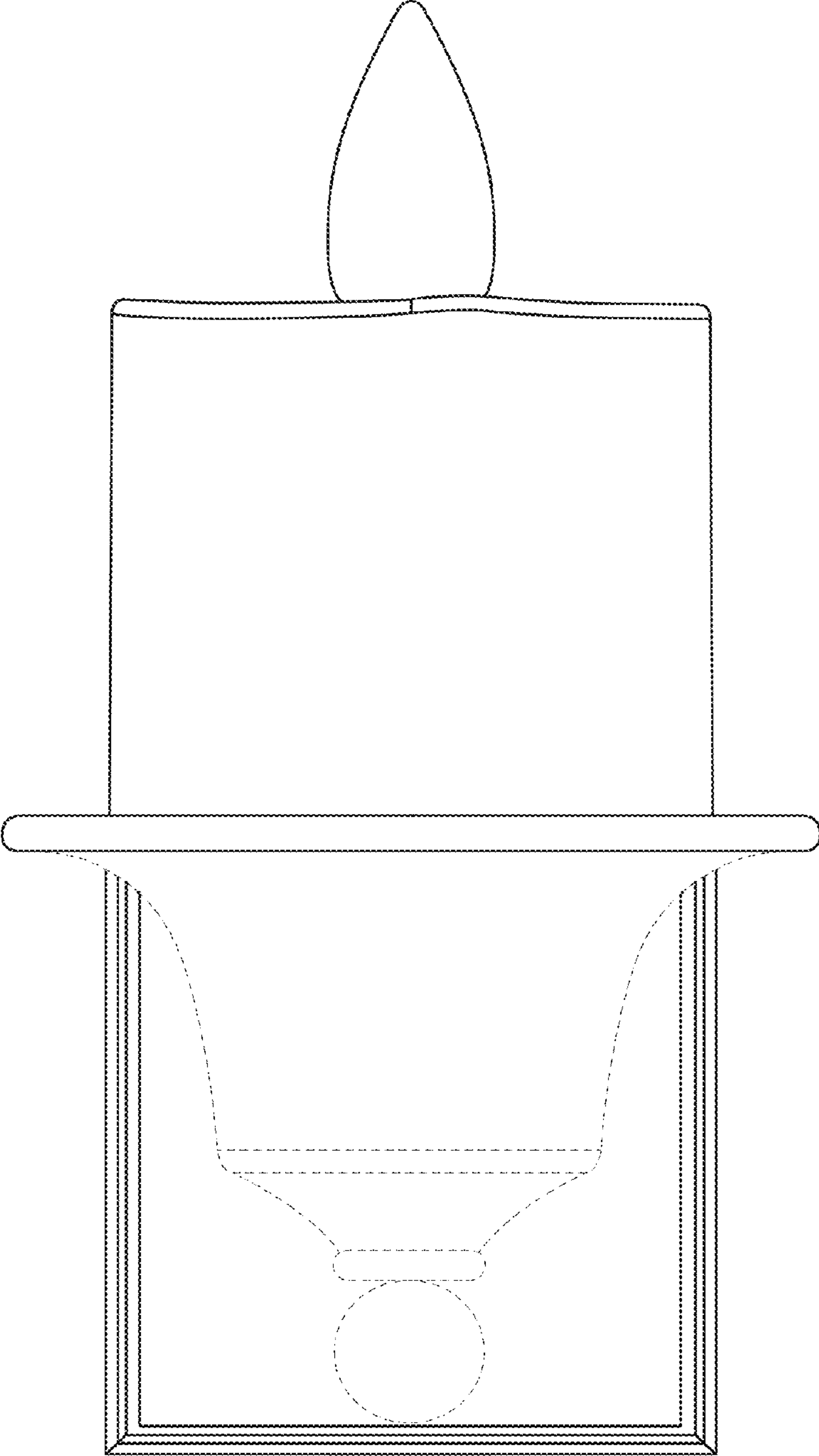


FIG. 4

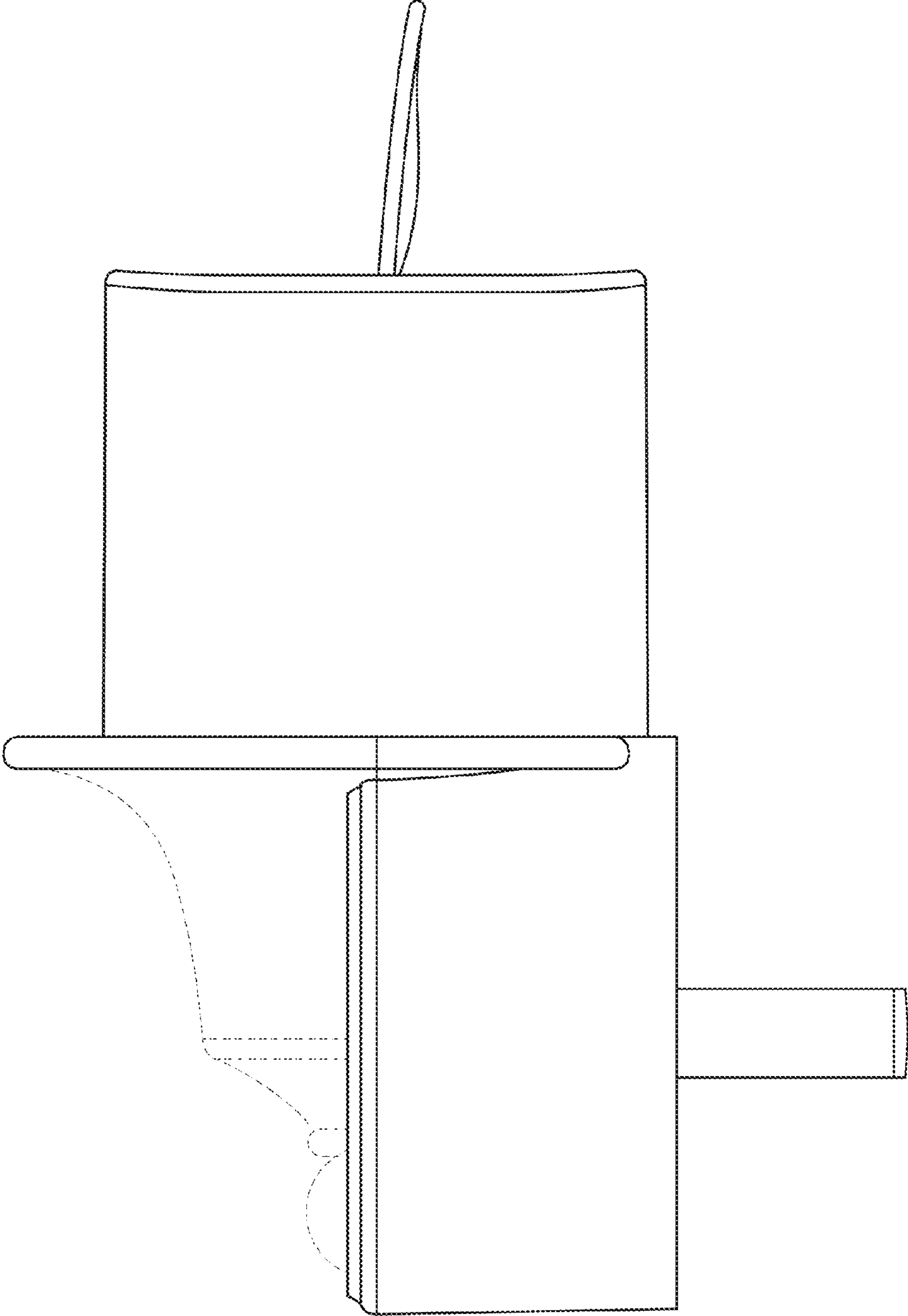


FIG. 5

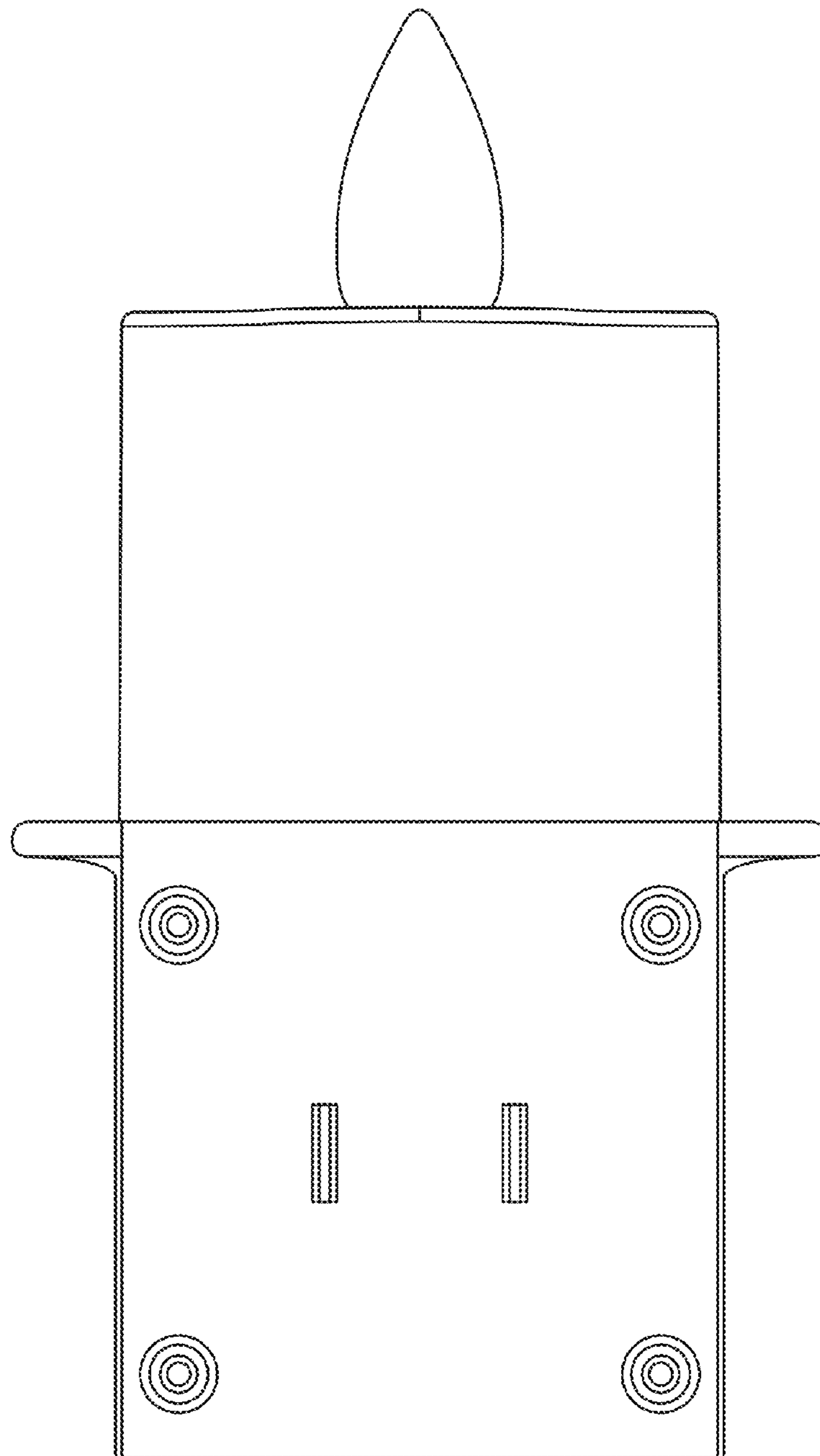


FIG. 6

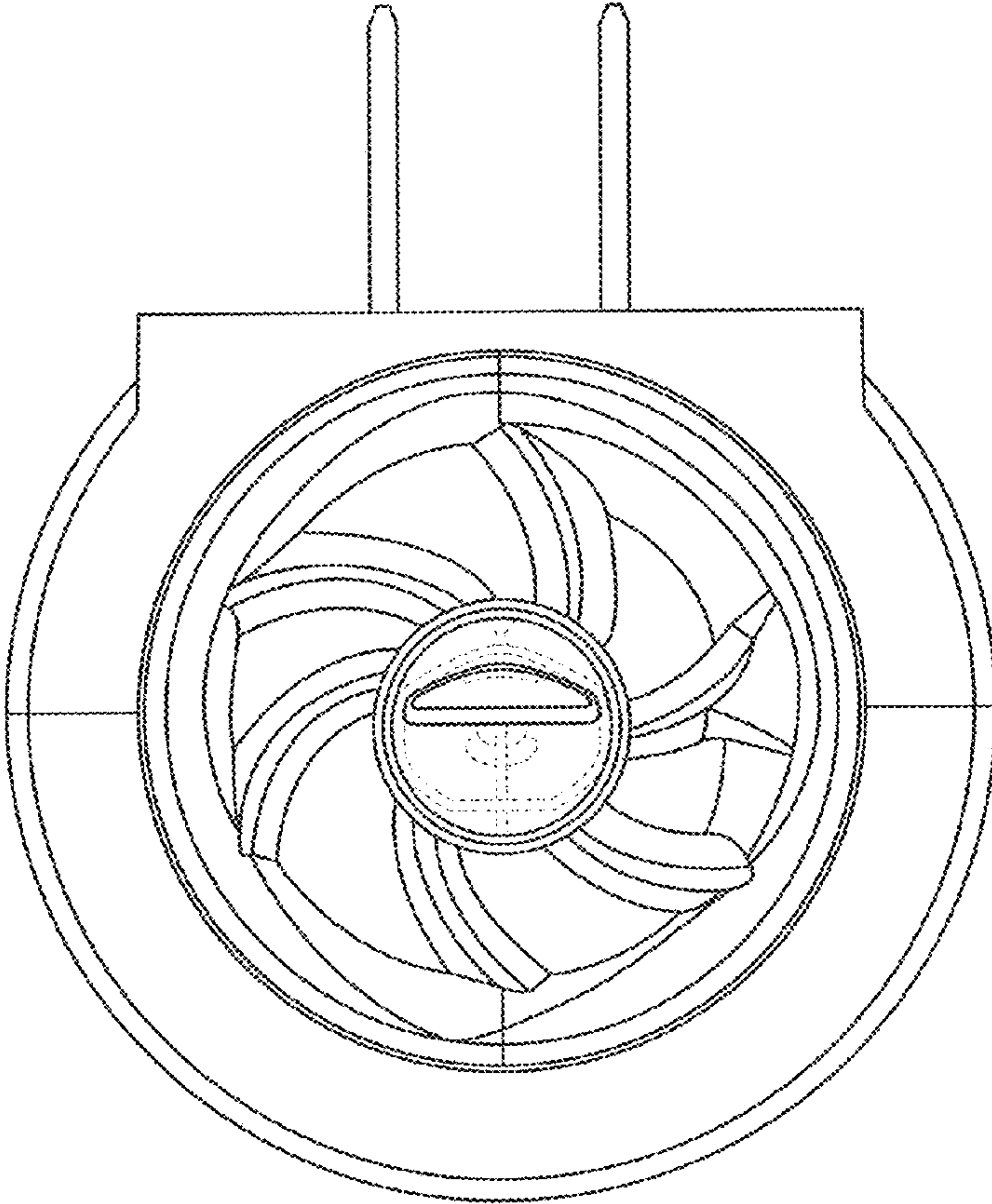


FIG. 7

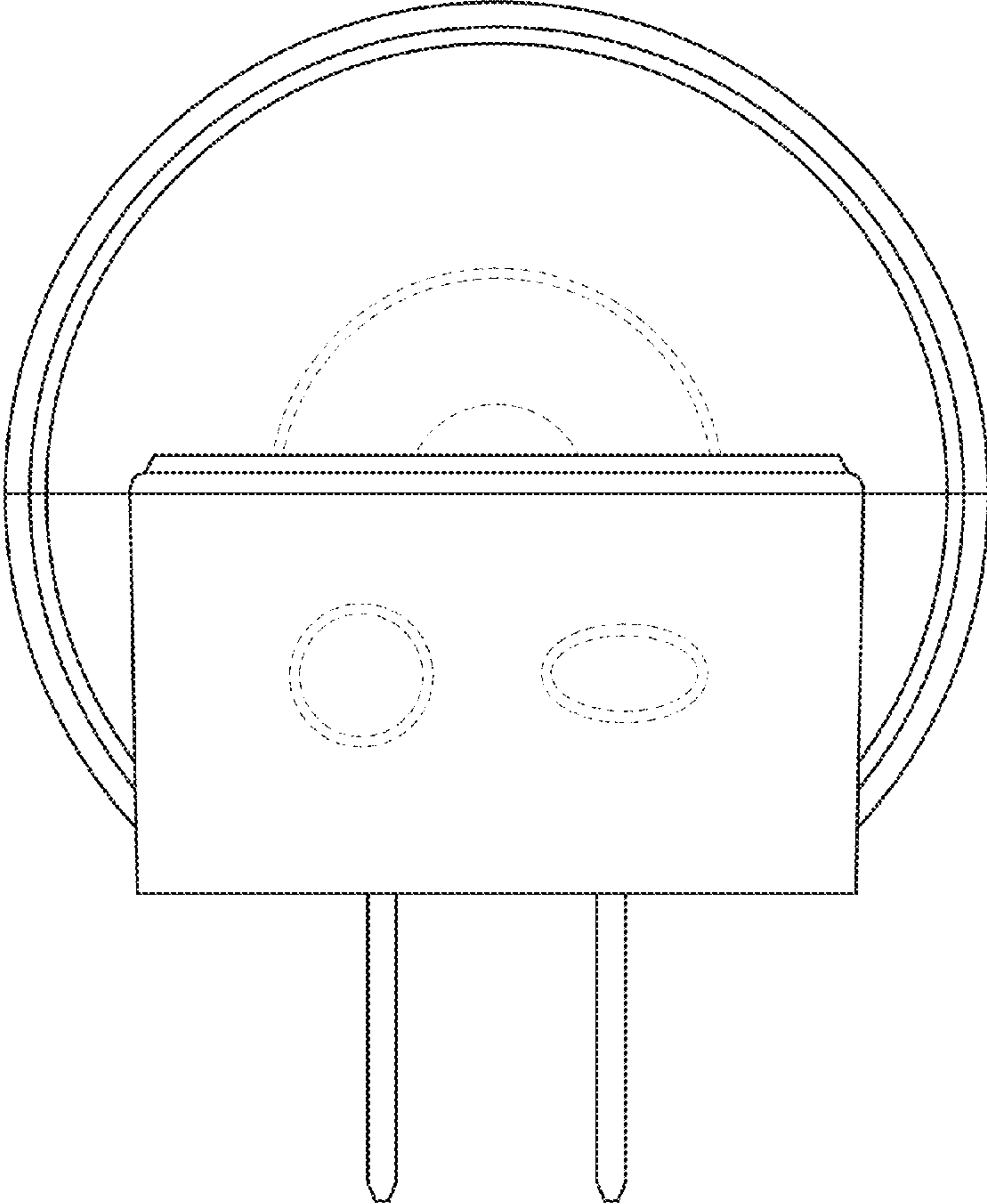


FIG. 8