

US00D729421S

(12) **United States Design Patent**  
**Yoshida**

(10) **Patent No.:** **US D729,421 S**  
(45) **Date of Patent:** **\*\* May 12, 2015**

(54) **LED LAMP**

(71) Applicant: **M-System Co., Ltd.**, Abeno-ku,  
Osaka-shi, Osaka (JP)

(72) Inventor: **Masahiro Yoshida**, Osaka (JP)

(73) Assignee: **M-System Co., Ltd.**, Osaka (JP)

(\*\*) Term: **14 Years**

(21) Appl. No.: **29/453,821**

(22) Filed: **May 3, 2013**

(30) **Foreign Application Priority Data**

Nov. 9, 2012 (JP) ..... D2012-027439

(51) **LOC (10) Cl.** ..... **26-04**

(52) **U.S. Cl.**  
USPC ..... **D26/3**

(58) **Field of Classification Search**  
USPC ..... D26/1-4; 313/313, 315, 316, 317, 318,  
313/493; 315/52, 53, 56, 57, 58  
See application file for complete search history.

(56) **References Cited**

**U.S. PATENT DOCUMENTS**

D584,429 S \* 1/2009 Pei et al. .... D26/3  
D606,673 S \* 12/2009 Kao ..... D26/3

(Continued)

*Primary Examiner* — Marcus Jackson

(74) *Attorney, Agent, or Firm* — Antonelli, Terry, Stout &  
Kraus, LLP.

(57) **CLAIM**

The ornamental design for a LED lamp, as shown and  
described.

**DESCRIPTION**

FIG. 1 is a front view of a LED lamp of the present invention.  
FIG. 2 is a rear view of the LED lamp of FIG. 1.  
FIG. 3 is a top plan view of the LED lamp of FIG. 1.  
FIG. 4 is a bottom view of the LED lamp of FIG. 1.  
FIG. 5 is a right side view of the LED lamp of FIG. 1.  
FIG. 6 is a left side view of the LED lamp of FIG. 1.

FIG. 7 is a perspective view of the LED lamp of FIG. 1.  
FIG. 8 is an enlarged sectional view of the LED lamp, taken  
along the line 8-8 of FIG. 1, with some parts of inner mecha-  
nisms omitted.  
FIG. 9 is an enlarged right side view of the LED lamp of FIG.  
1.  
FIG. 10 is an enlarged left side view of the LED lamp of FIG.  
1.  
FIG. 11 is an enlarged front view of the LED lamp, taken  
along the line 11-11 of FIG. 1.  
FIG. 12 is an enlarged bottom view of the LED lamp, taken  
along the line 12-12 of FIG. 4.  
FIG. 13 is an enlarged sectional view of the LED lamp, taken  
along the lines 13-1-13-1, 13-2-13-2 and 13-3-13-3 of FIG. 4.  
FIG. 14 is an enlarged sectional view of the LED lamp, taken  
along the lines 14-1-14-1, 14-2-14-2 and 14-3-14-3 of FIG. 1.  
FIG. 15 is an enlarged perspective view of the LED lamp,  
taken along the line 15-15 of FIG. 7.

FIG. 16 is an enlarged rear view of the LED lamp, taken along  
the line 16-16 of FIG. 2.

The features shown in broken lines of FIGS. 1-16 depict  
environmental subject matter only and form no part of the  
claimed design.

FIG. 17 is a reference enlarged sectional view of the LED  
lamp, taken along the line 8-8 of FIG. 1, wherein the semi-  
transparent parts are shown by light gray color.

FIG. 18 is a reference enlarged sectional view of the LED  
lamp, taken along the line 8-8 of FIG. 1, wherein the name of  
each part is shown, and the claimed part is shown by light gray  
color; and,

FIG. 19 is a reference enlarged perspective view of the LED  
lamp, taken along the line 15-15 of FIG. 7, wherein the  
claimed part is shown by light gray color.

FIGS. 17-19 are for illustrative purpose only and form no part  
of the claimed design.

The article is an LED lamp which has LEDs as light source.  
This article can replace a straight-tube fluorescent lamp.

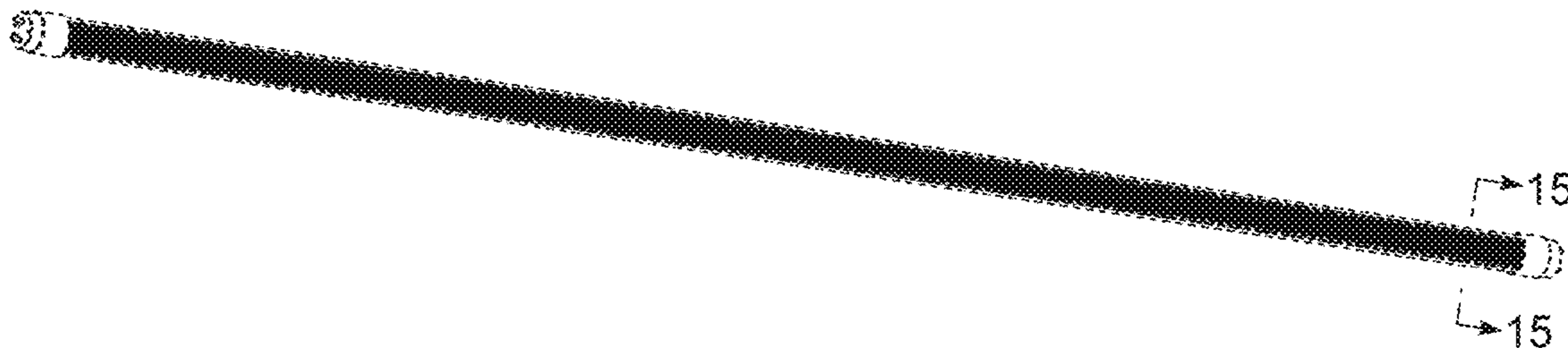
The LEDs in this article produce luminescence when alter-  
nating current is supplied through the terminals on the caps on  
the both end of this article.

Except for the caps on the both ends, the main body of this  
article has a bottom part (a semi-transparent cover) which has  
a depressed portion. This bottom part is made of a semi-  
transparent resin.

As shown in FIGS. 13 and 14, longitudinally formed projec-  
tions for light diffusion and laterally formed projections for  
light diffusion are arranged perpendicular to each other on the  
inside of the bottom part (the semi-transparent cover), form-  
ing a lattice of truncated pyramidal projections.

Therefore, the light from the LEDs is easily diffused both to  
the longitudinal direction and the lateral direction.

**1 Claim, 19 Drawing Sheets**



(56)

**References Cited**

D611,172 S \* 3/2010 Lin et al. .... D26/3  
D636,504 S \* 4/2011 Duster ..... D26/3

U.S. PATENT DOCUMENTS

D610,724 S \* 2/2010 Chiang et al. .... D26/3 \* cited by examiner

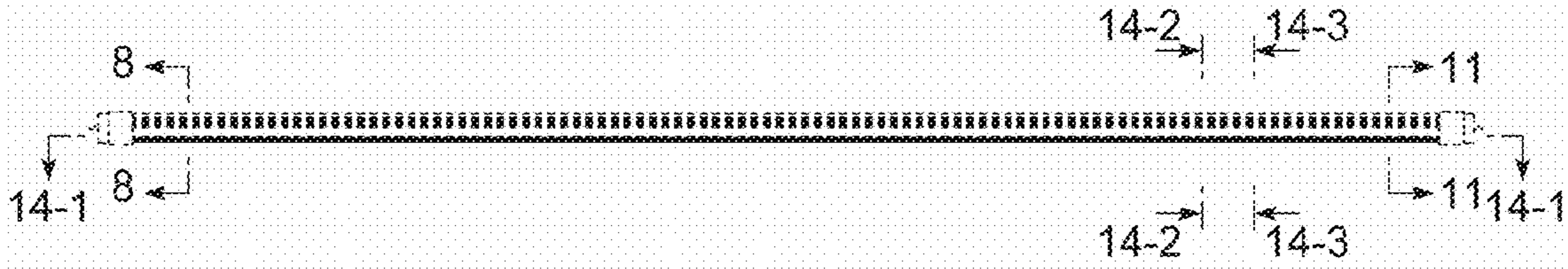


FIG. 1

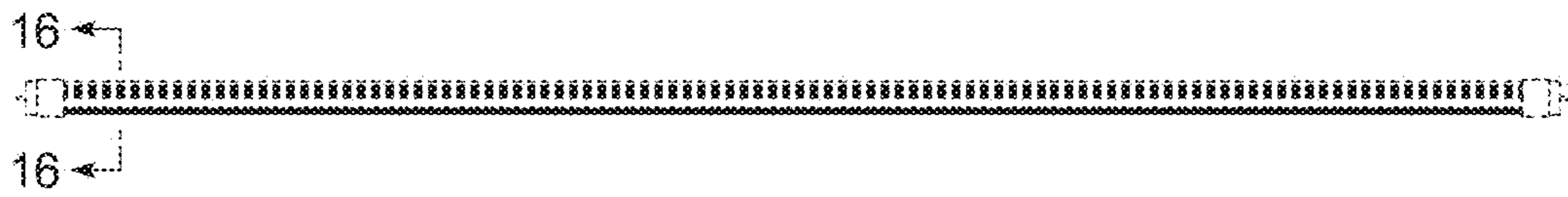


FIG. 2



FIG. 3

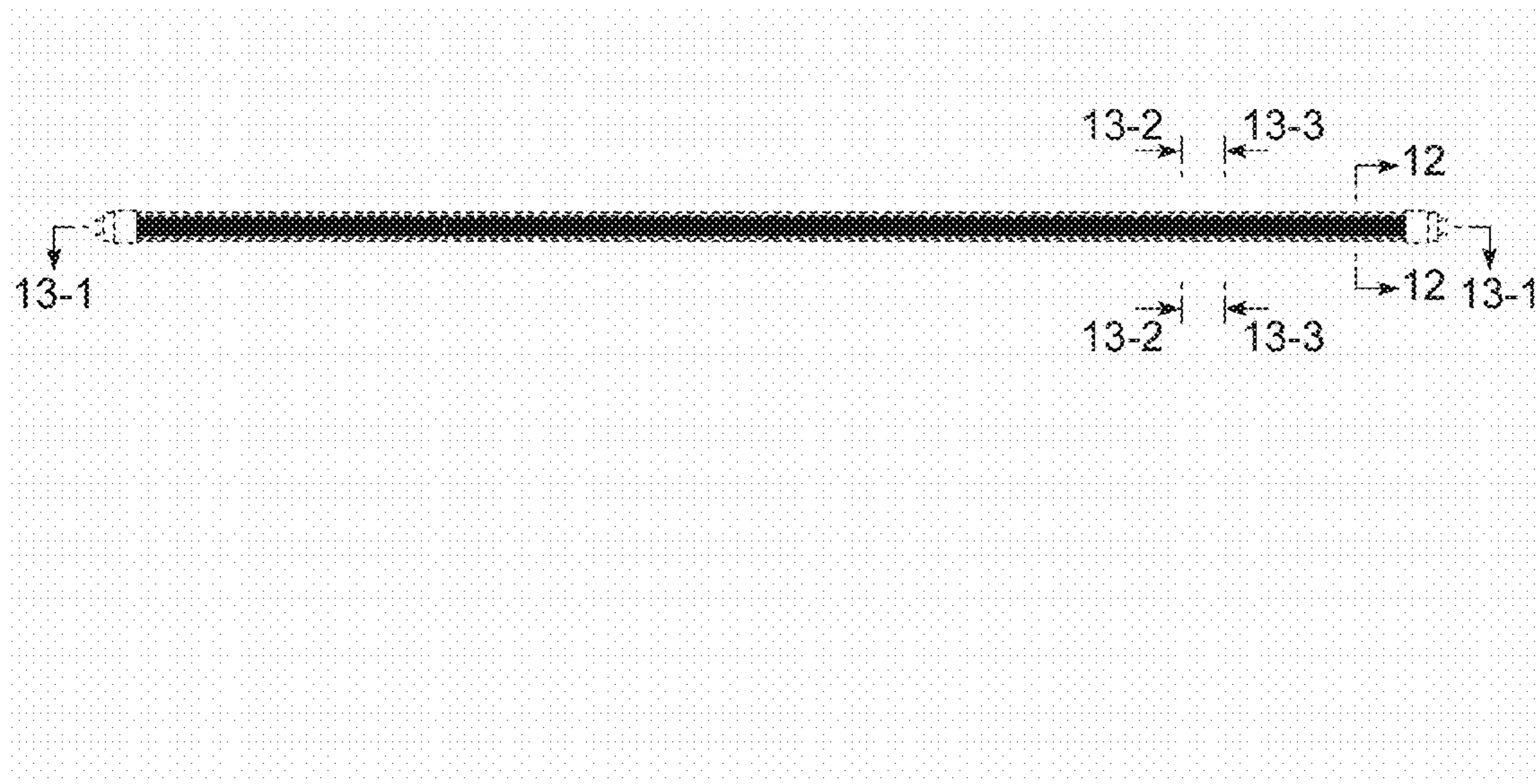


FIG. 4



**FIG. 5**



**FIG. 6**



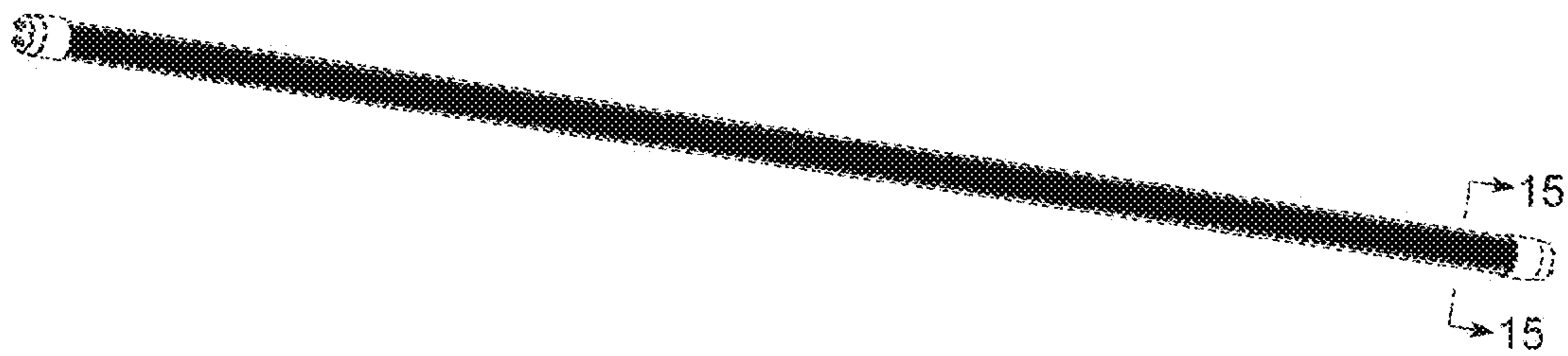


FIG. 7

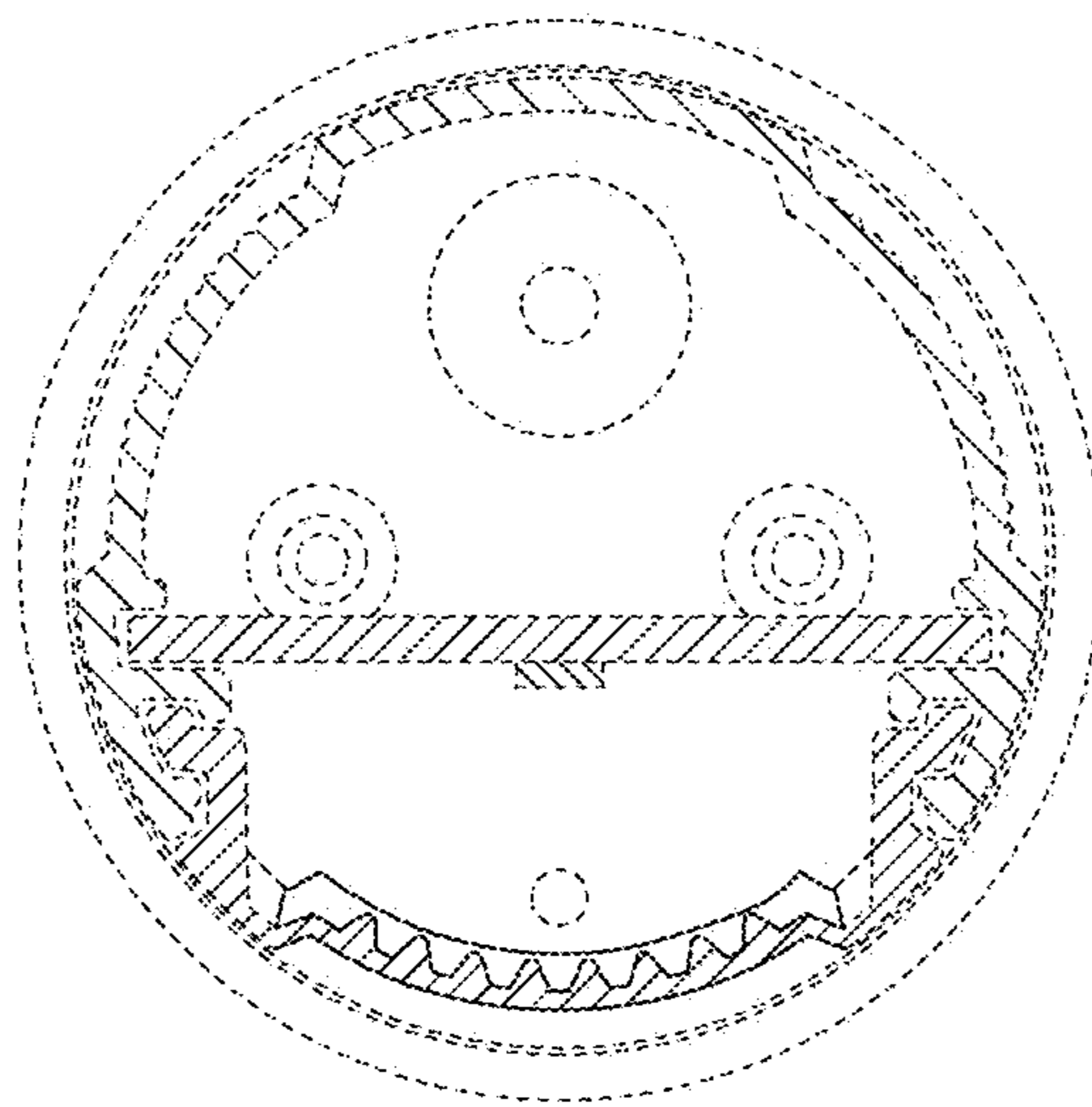


FIG. 8

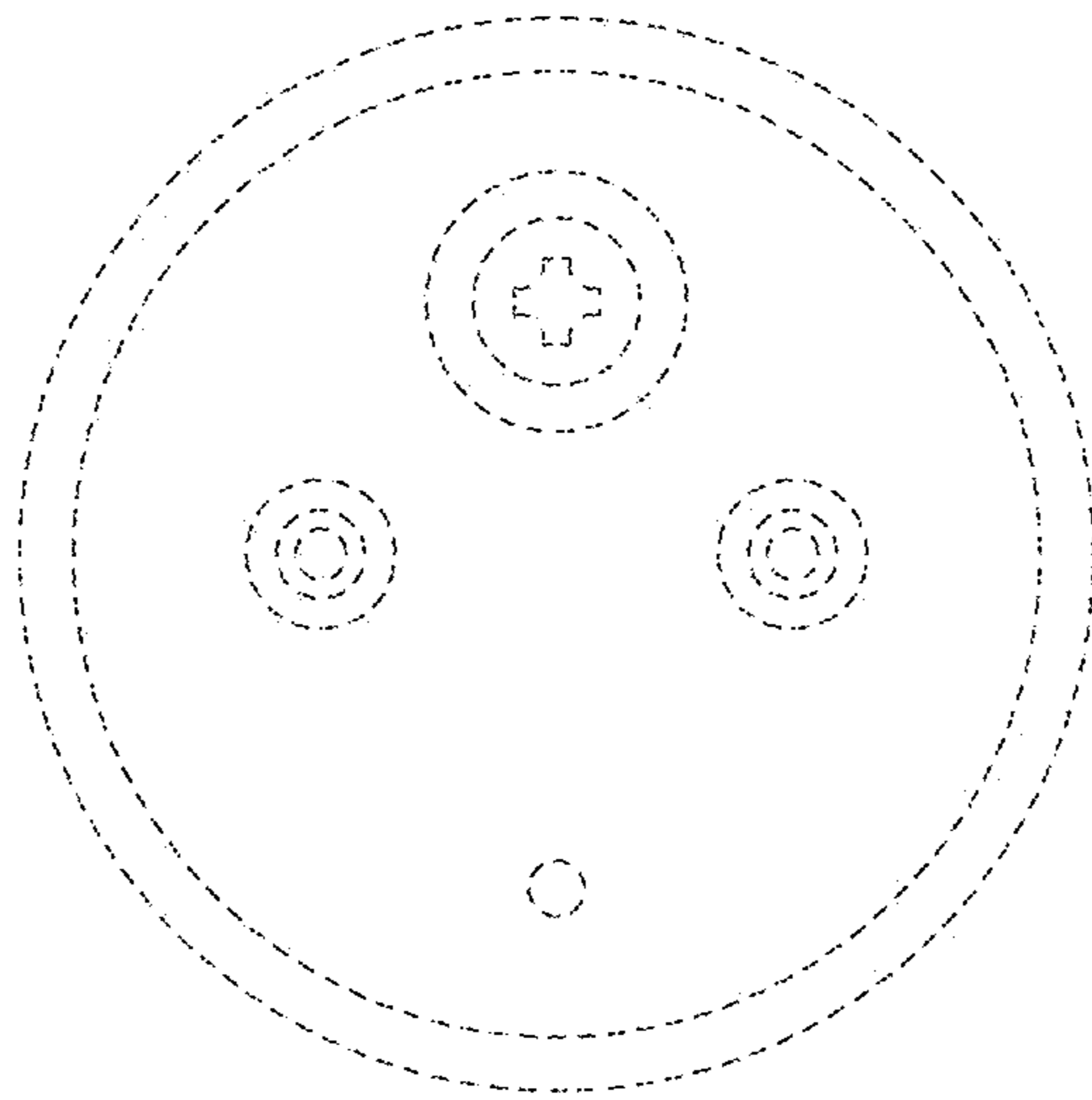


FIG. 9

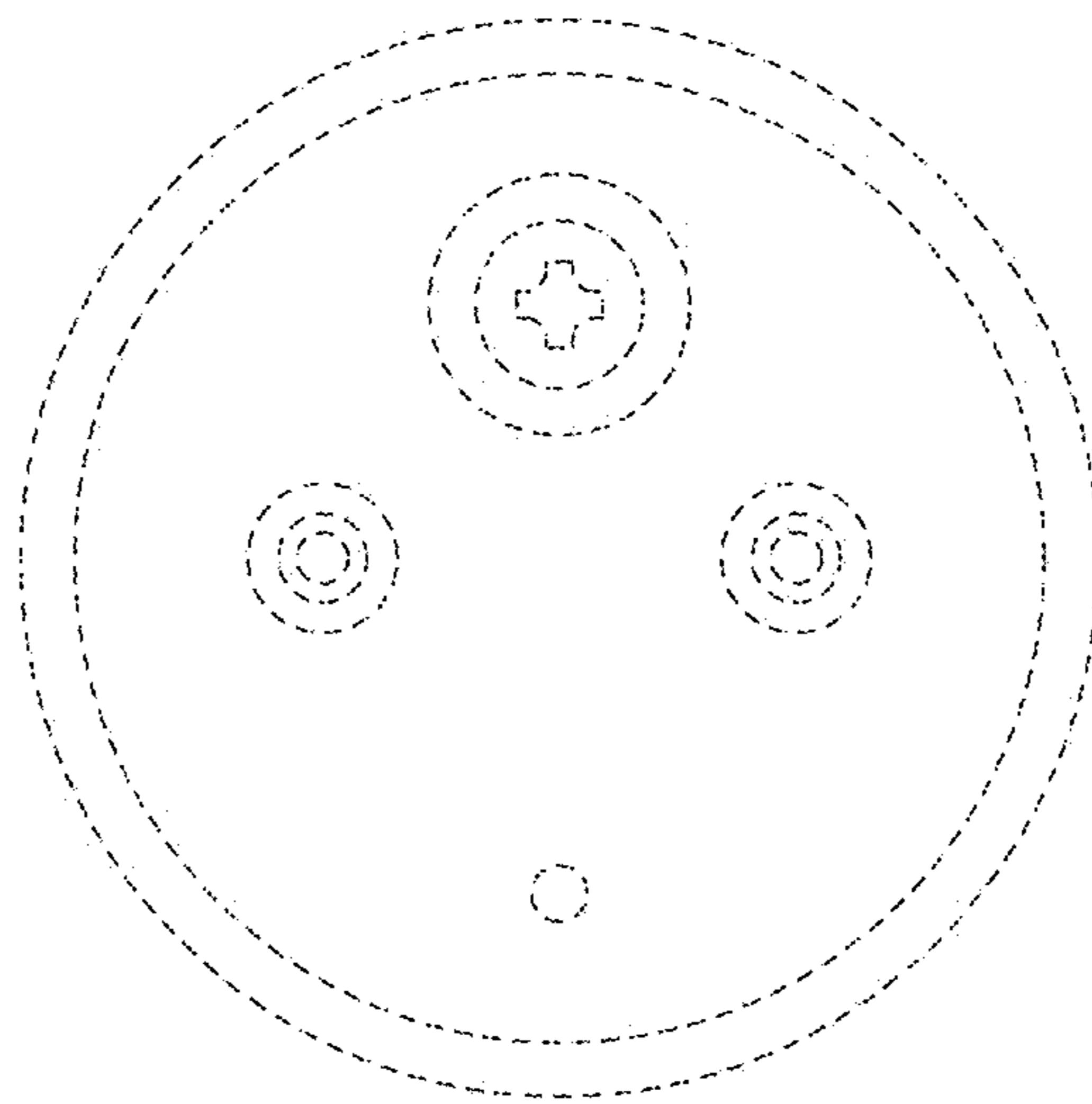


FIG. 10

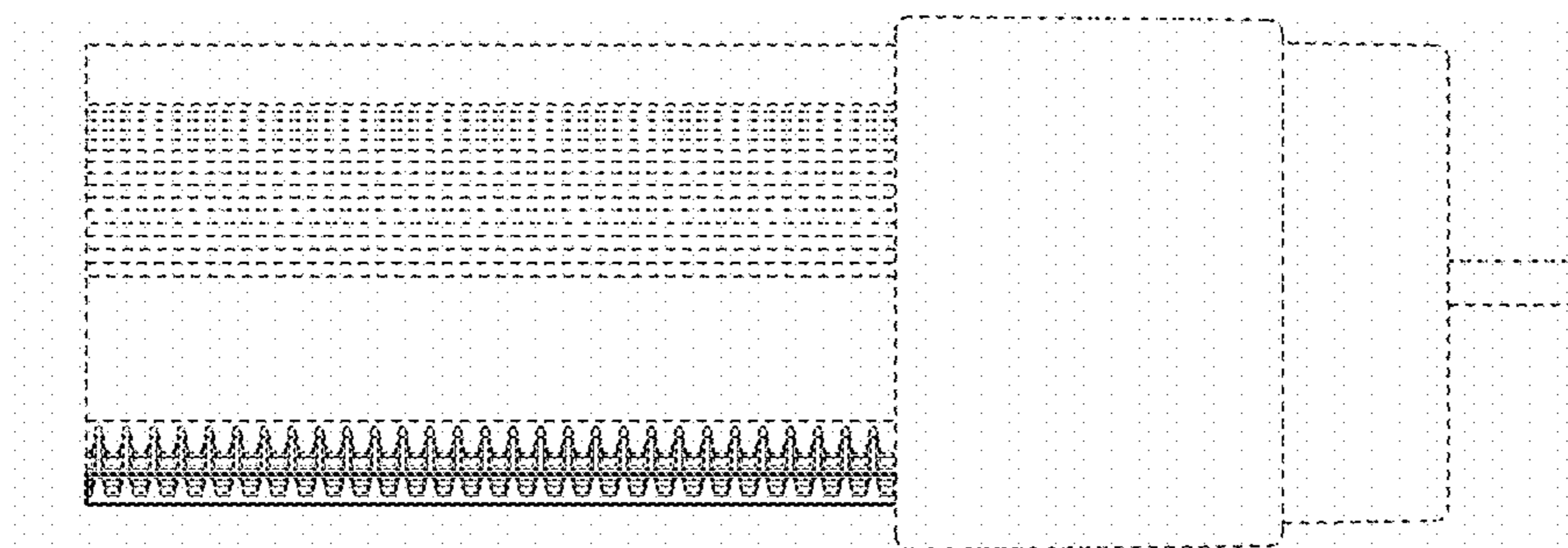


FIG. 11

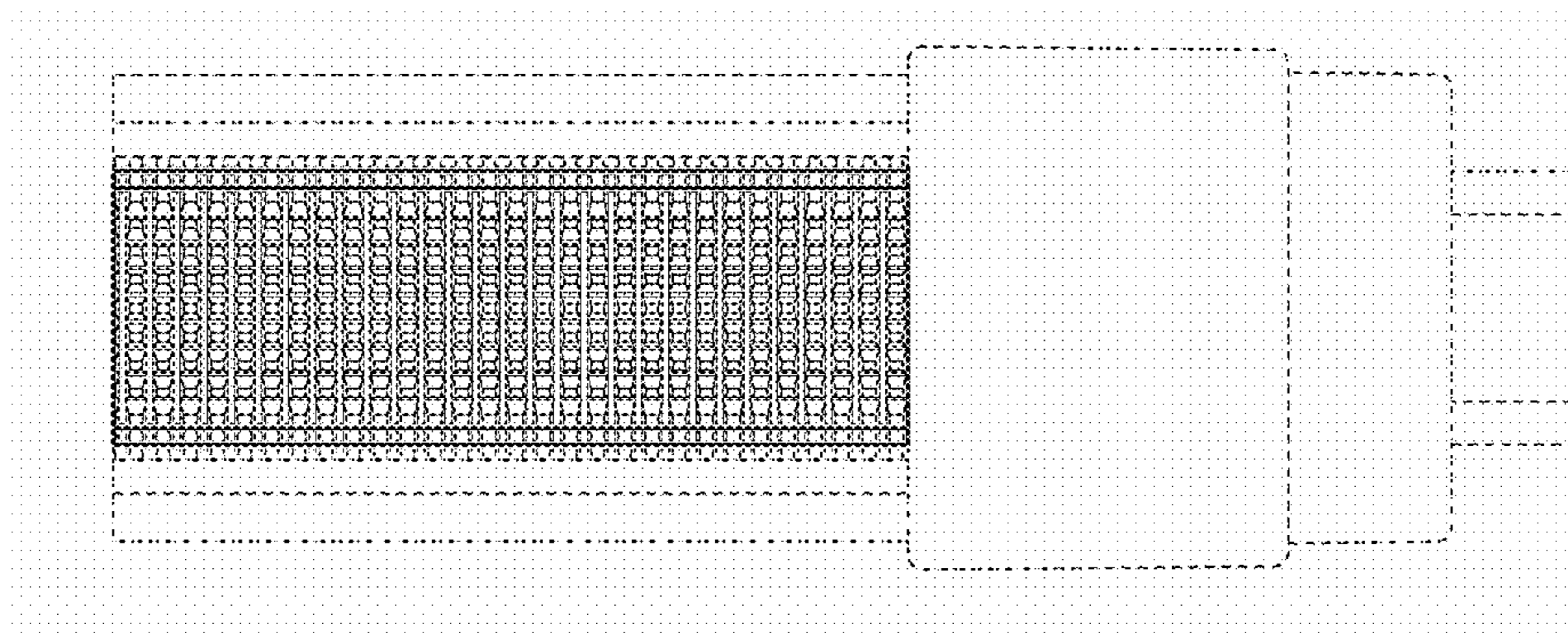


FIG. 12

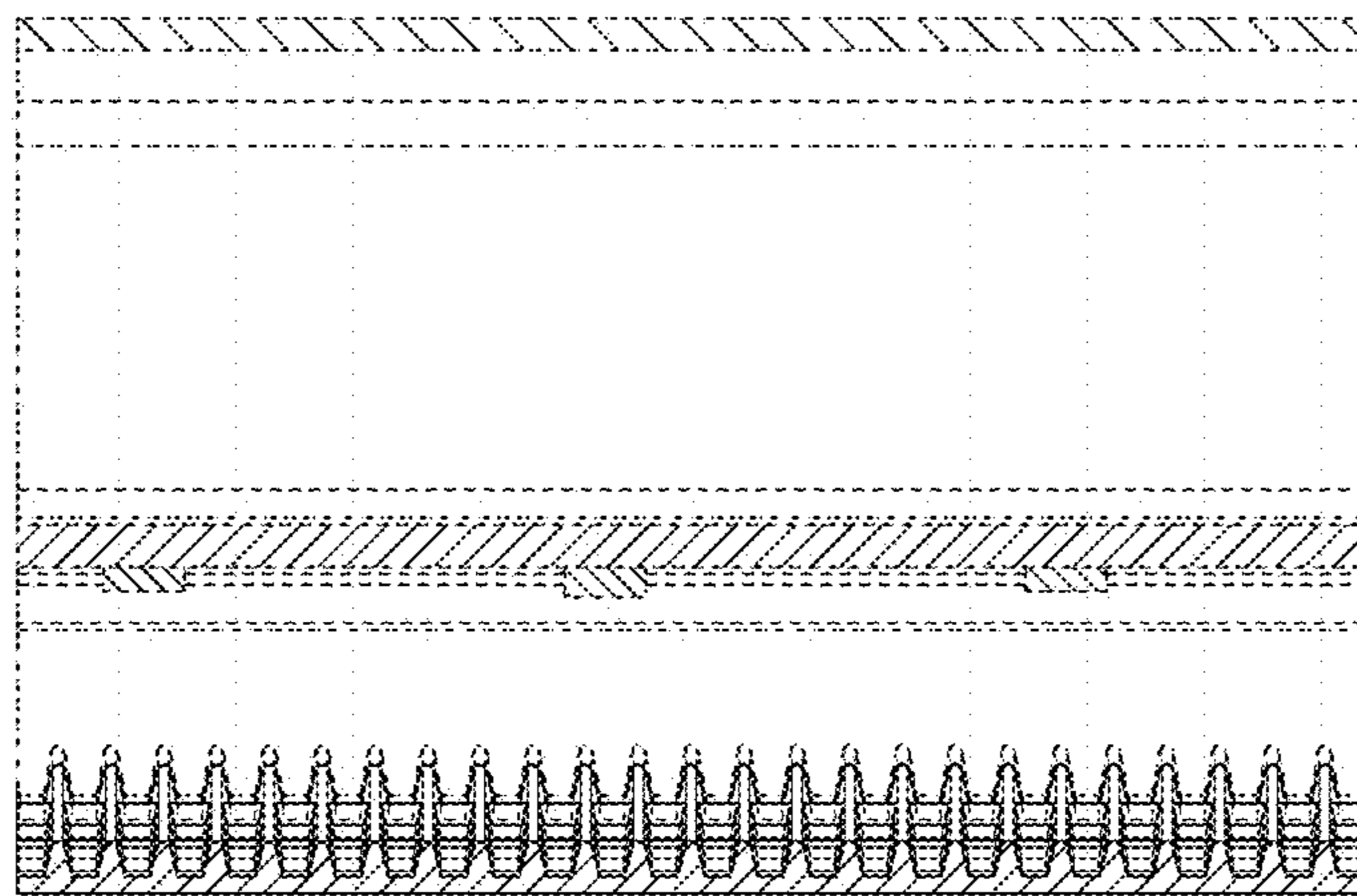


FIG. 13

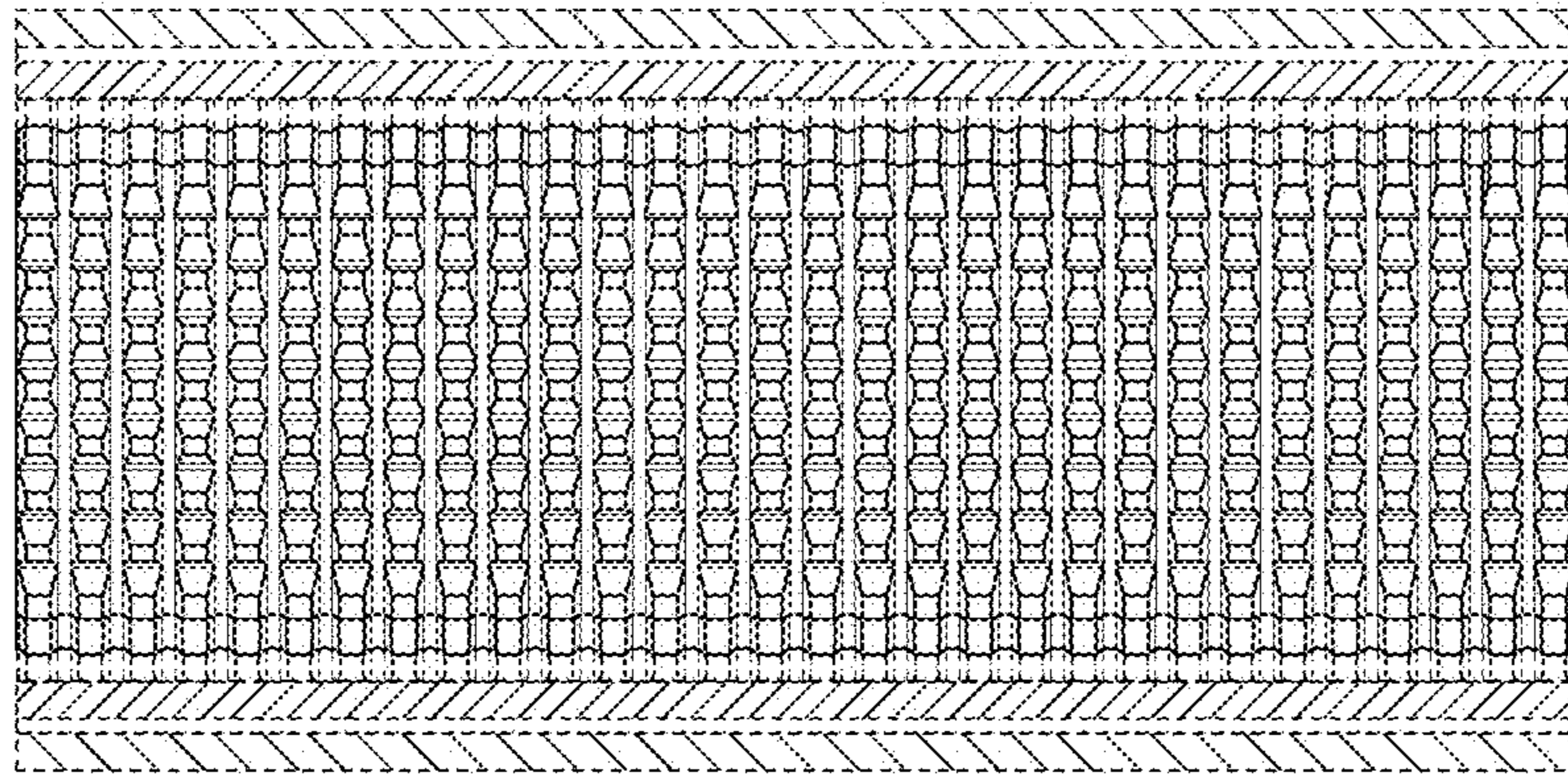


FIG. 14



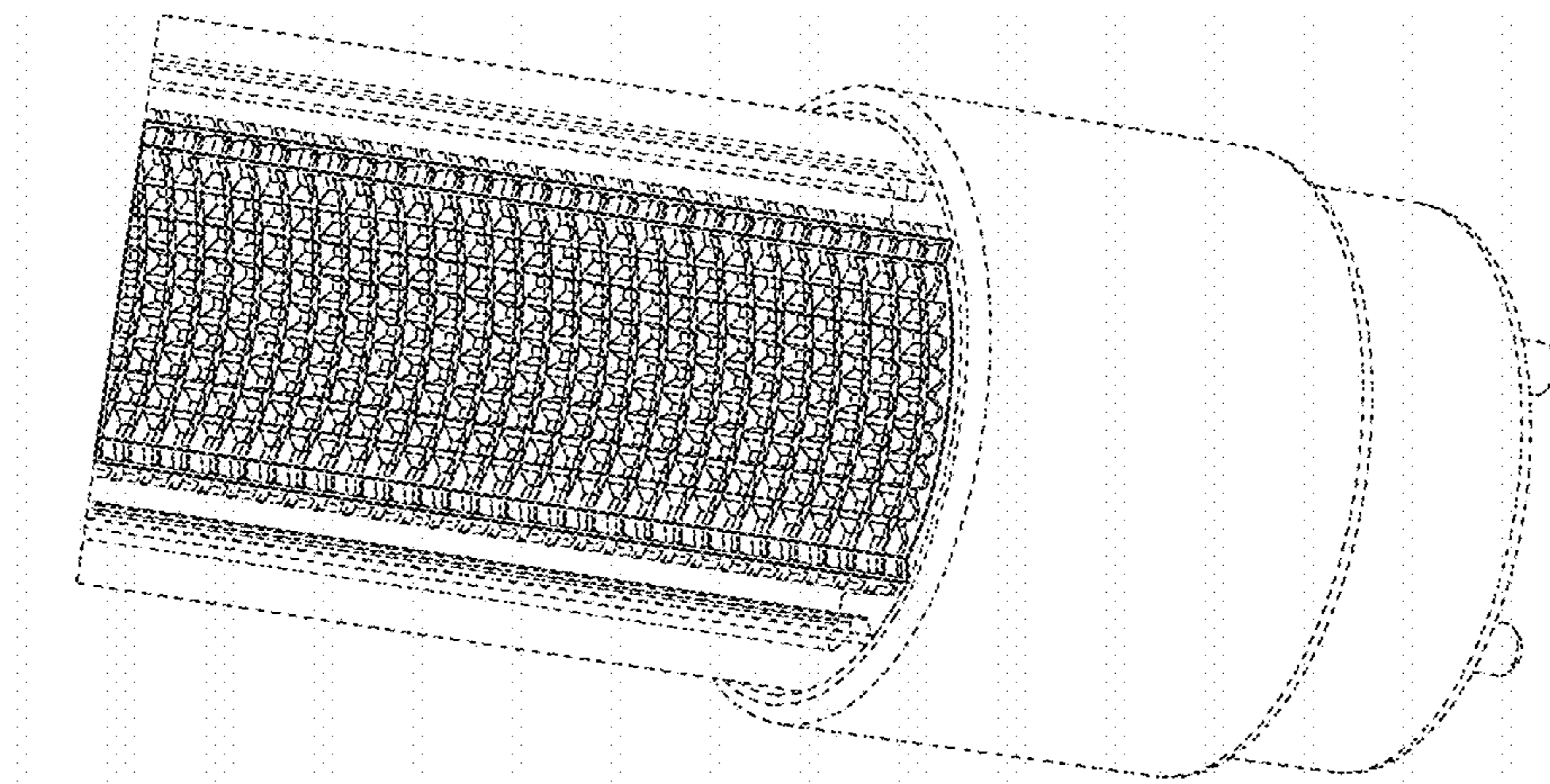


FIG. 15

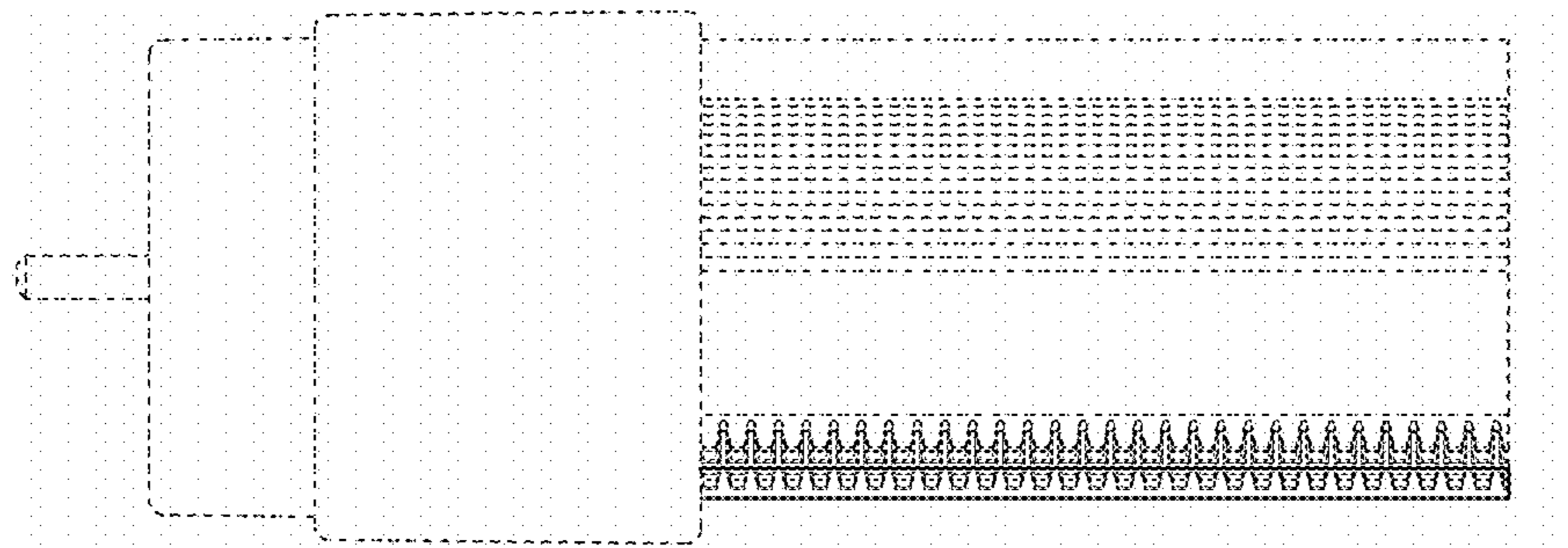


FIG. 16

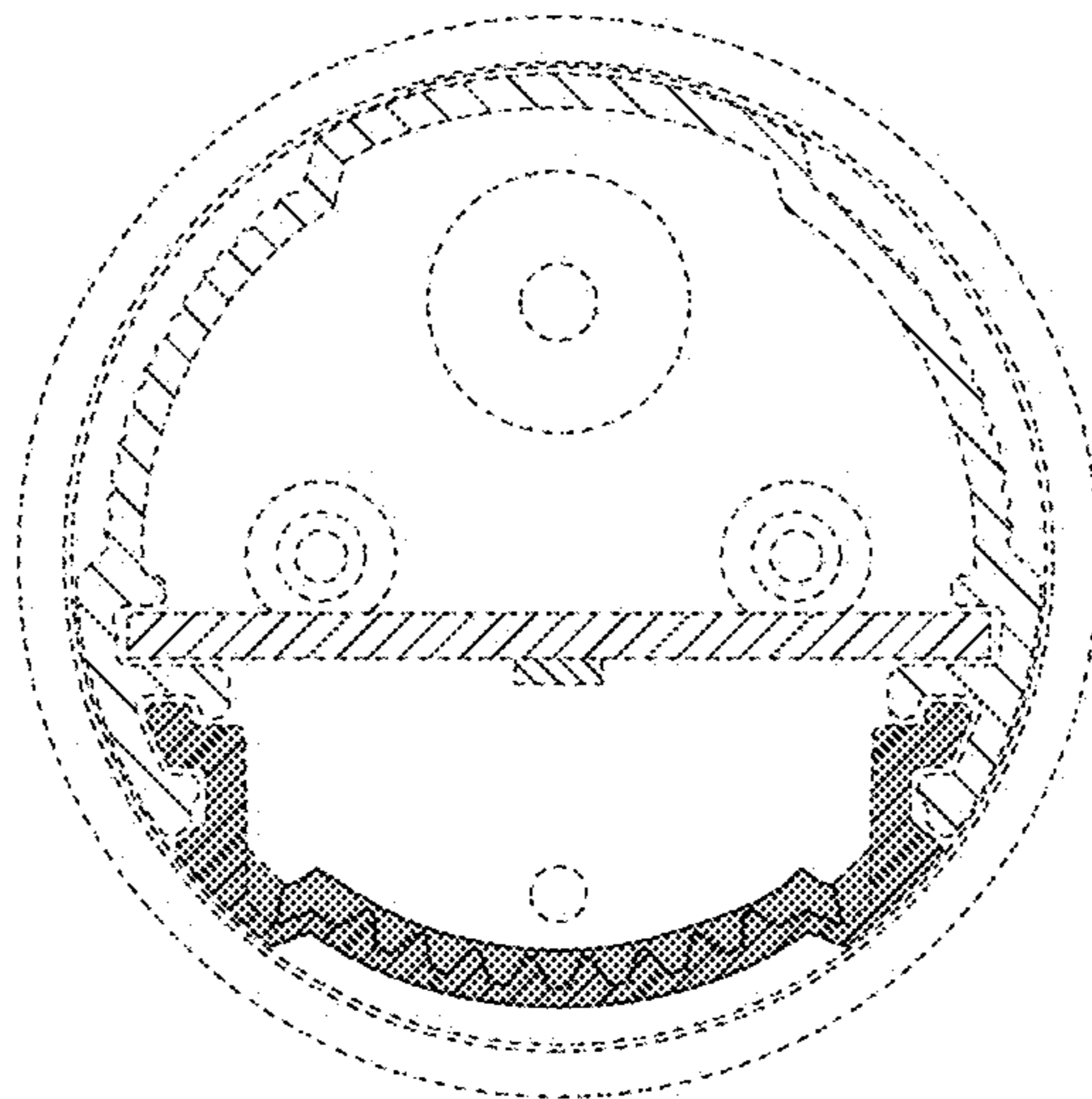


FIG. 17

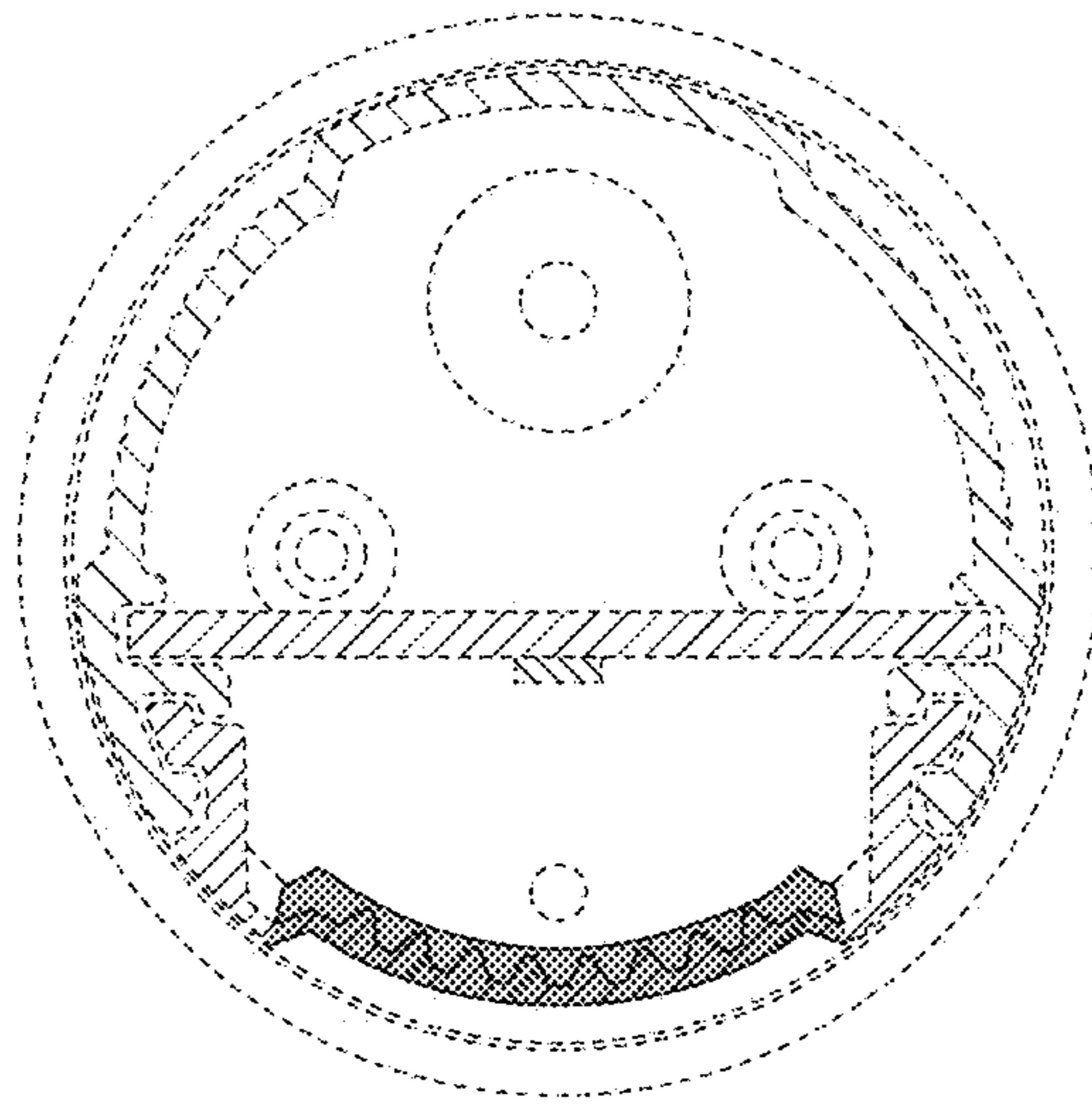


FIG. 18

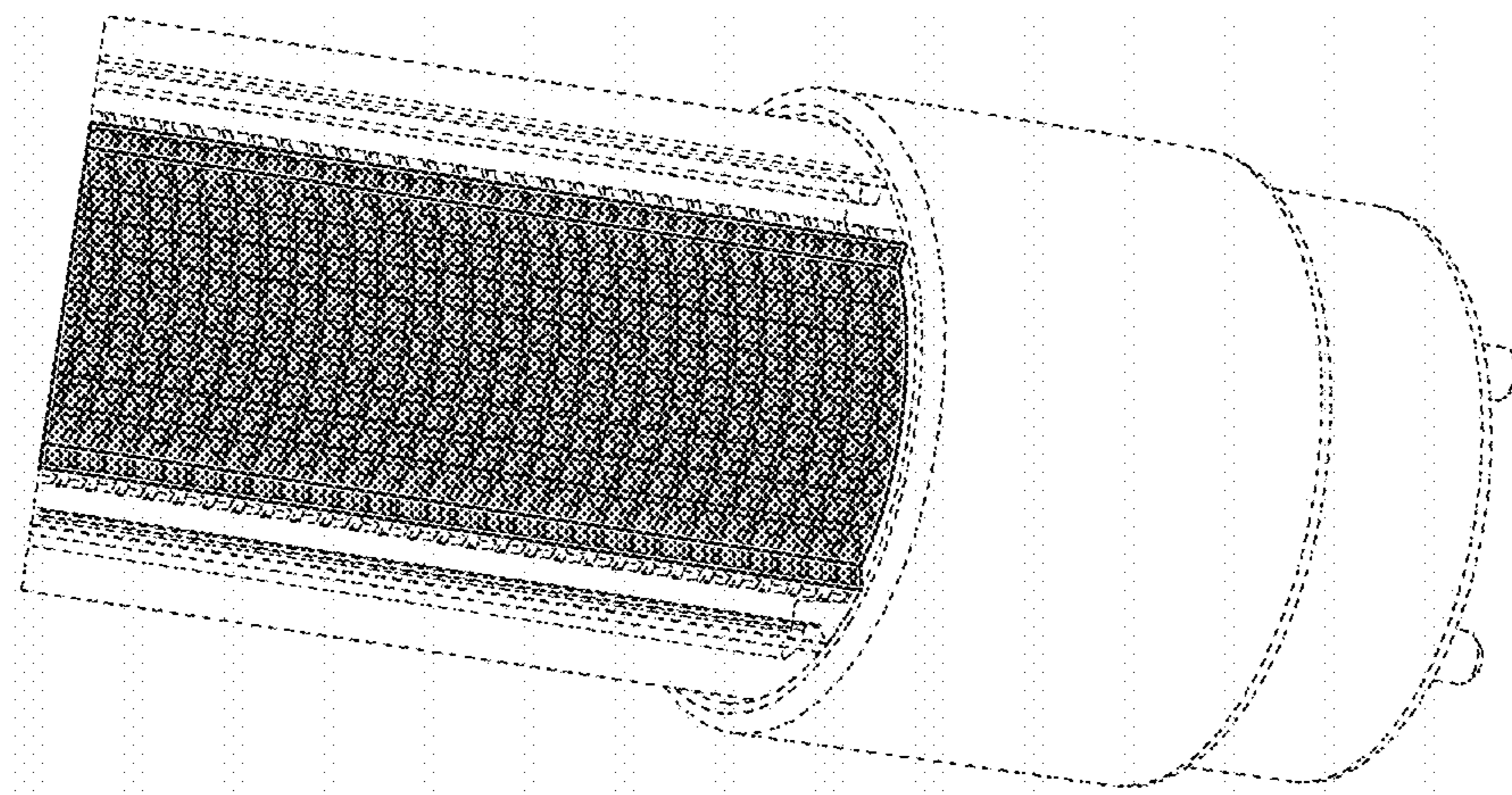


FIG. 19