



US00D729416S

(12) **United States Design Patent**  
**Skjelbred**

(10) **Patent No.:** **US D729,416 S**  
(45) **Date of Patent:** **\*\* May 12, 2015**

(54) **COMBINED MALE AND FEMALE HEAT EXPANDING PANEL FOR FIRE PROTECTION OF STRUCTURES**

- (75) Inventor: **Christine Skjelbred**, Bergen (NO)
- (73) Assignee: **Beerenberg Corp. AS**, Bergen (NO)
- (\*\*) Term: **14 Years**
- (21) Appl. No.: **29/424,799**
- (22) Filed: **Jun. 15, 2012**
- (30) **Foreign Application Priority Data**

Dec. 16, 2011 (NO) ..... 20111046

- (51) **LOC (10) Cl.** ..... **25-01**
- (52) **U.S. Cl.**  
USPC ..... **D25/138; D25/114**
- (58) **Field of Classification Search**  
USPC ..... D25/114, 138; 52/506.02, 784.11, 52/787.11, 747.13, 232, 317, 576, DIG. 5  
See application file for complete search history.

(56) **References Cited**

U.S. PATENT DOCUMENTS

4,567,705	A *	2/1986	Carlson	.....	52/405.3
5,735,098	A *	4/1998	Kanai et al.	.....	52/508
D419,246	S *	1/2000	Lane et al.	.....	D25/138
6,880,304	B1 *	4/2005	Budge	.....	52/426
8,074,412	B1 *	12/2011	Gogan et al.	.....	52/232
D674,514	S *	1/2013	Harmon	.....	D25/138
2005/0284101	A1 *	12/2005	Brandes	.....	52/799.1

\* cited by examiner

*Primary Examiner* — Doris Clark

(74) *Attorney, Agent, or Firm* — Wenderoth, Lind & Ponack, L.L.P.

(57) **CLAIM**

The ornamental design for the combined male and female heat expanding panel for fire protection of structures, as shown and described.

**DESCRIPTION**

FIG. 1 is a right side view of a female heat expanding panel of the combined male and female heat expanding panel for fire protection of structures according to a first embodiment of the present design;

FIG. 2 is a left side view of the female heat expanding panel of the combined male and female heat expanding panel for fire protection of structures according to the first embodiment of the present design;

FIG. 3 is a right side view of a male heat expanding panel of the combined male and female heat expanding panel for fire protection of structures according to the first embodiment of the present design;

FIG. 4 is a left side view of the male heat expanding panel of the combined male and female heat expanding panel for fire protection of structures according to the first embodiment of the present design;

FIG. 5 is a front view of the combined male and female heat expanding panels for fire protection of structures according to the first embodiment of the present design;

FIG. 6 is a perspective view combined male and female heat expanding panels for fire protection of structures according to the first embodiment of the present design;

FIG. 7 is a right side view of a female heat expanding panel of the combined male and female heat expanding panel for fire protection of structures according to a second embodiment of the present design;

FIG. 8 is a left side view of the female heat expanding panel of the combined male and female heat expanding panel for fire protection of structures according to the second embodiment of the present design;

FIG. 9 is a right side view of a male heat expanding panel of the combined male and female heat expanding panel for fire protection of structures according to the second embodiment of the present design;

FIG. 10 is a left side view of the male heat expanding panel of the combined male and female heat expanding panel for fire protection of structures according to the second embodiment of the present design;

FIG. 11 is a perspective view of the combined male and female heat expanding panels for fire protection of structures according to the second embodiment of the present design;

FIG. 12 is a front view combined male and female heat expanding panels for fire protection of structures according to the second embodiment of the present design;

FIG. 13 is a left side view of a female heat expanding panel of the combined male and female heat expanding panel for fire protection of structures according to a third embodiment of the present design;

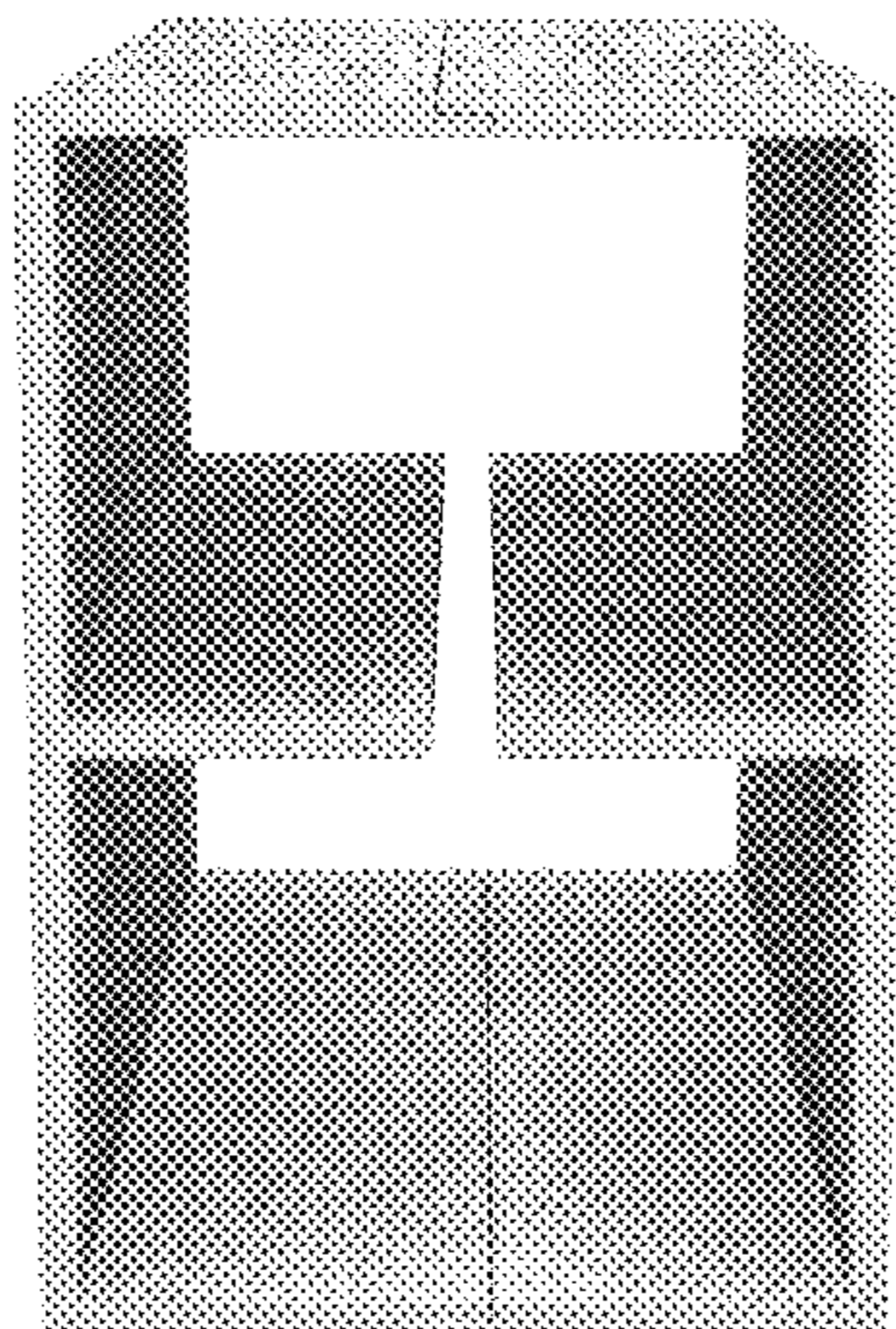


FIG. **14** is a right side view of the female heat expanding panel of the combined male and female heat expanding panel for fire protection of structures according to the third embodiment of the present design;

FIG. **15** is a right side view of a male heat expanding panel of the combined male and female heat expanding panel for fire protection of structures according to the third embodiment of the present design;

FIG. **16** is a left side view of the male heat expanding panel of the combined male and female heat expanding panel for fire

protection of structures according to the third embodiment of the present design;

FIG. **17** is a perspective view of an assembly of the female and male heat expanding panels for fire protection of structures according to the third embodiment of the present design; and, FIG. **18** is a front view combined male and female heat expanding panels for fire protection of structures according to the third embodiment of the present design.

**1 Claim, 18 Drawing Sheets**



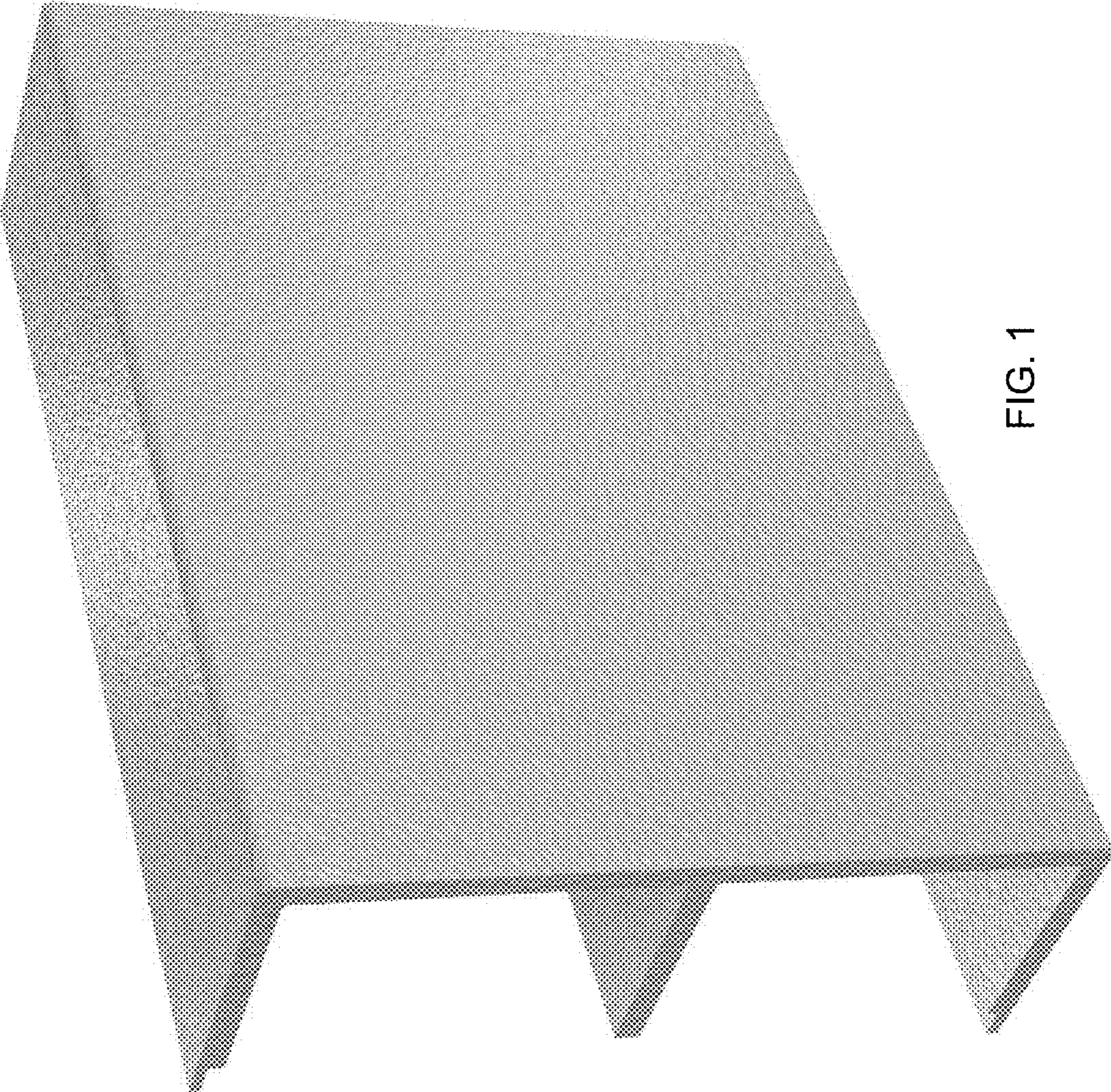


FIG. 1



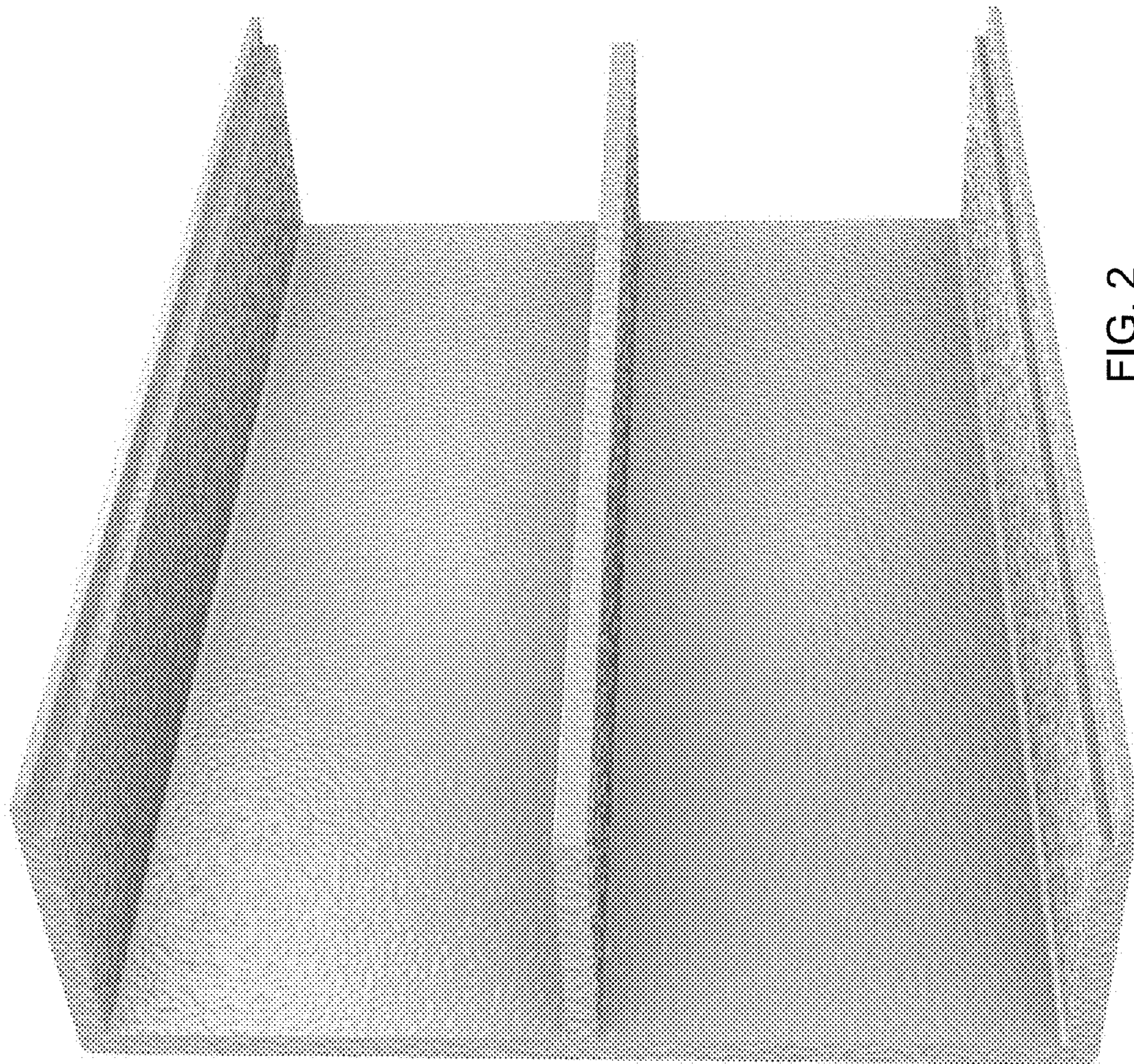


FIG. 2



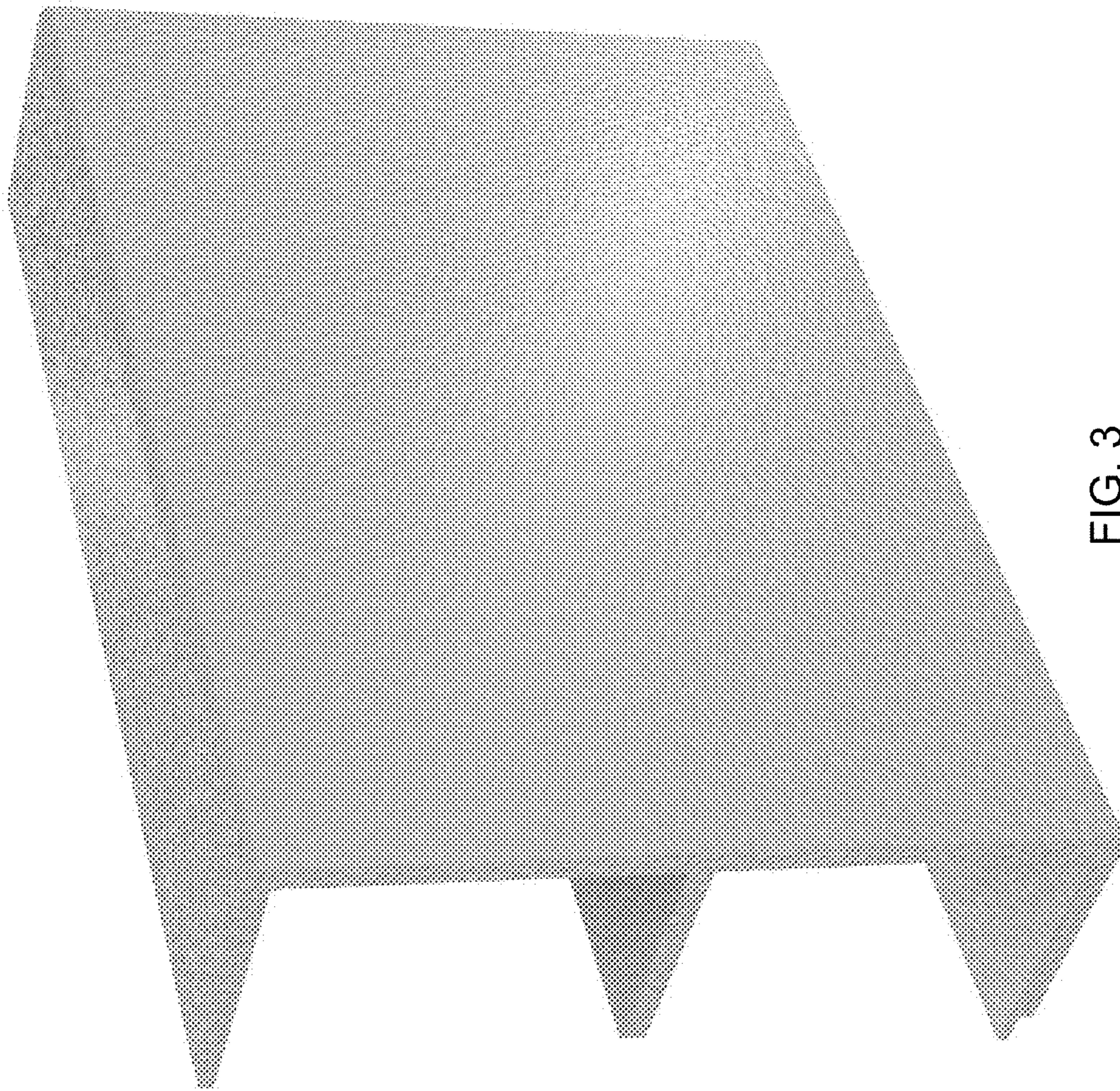


FIG. 3



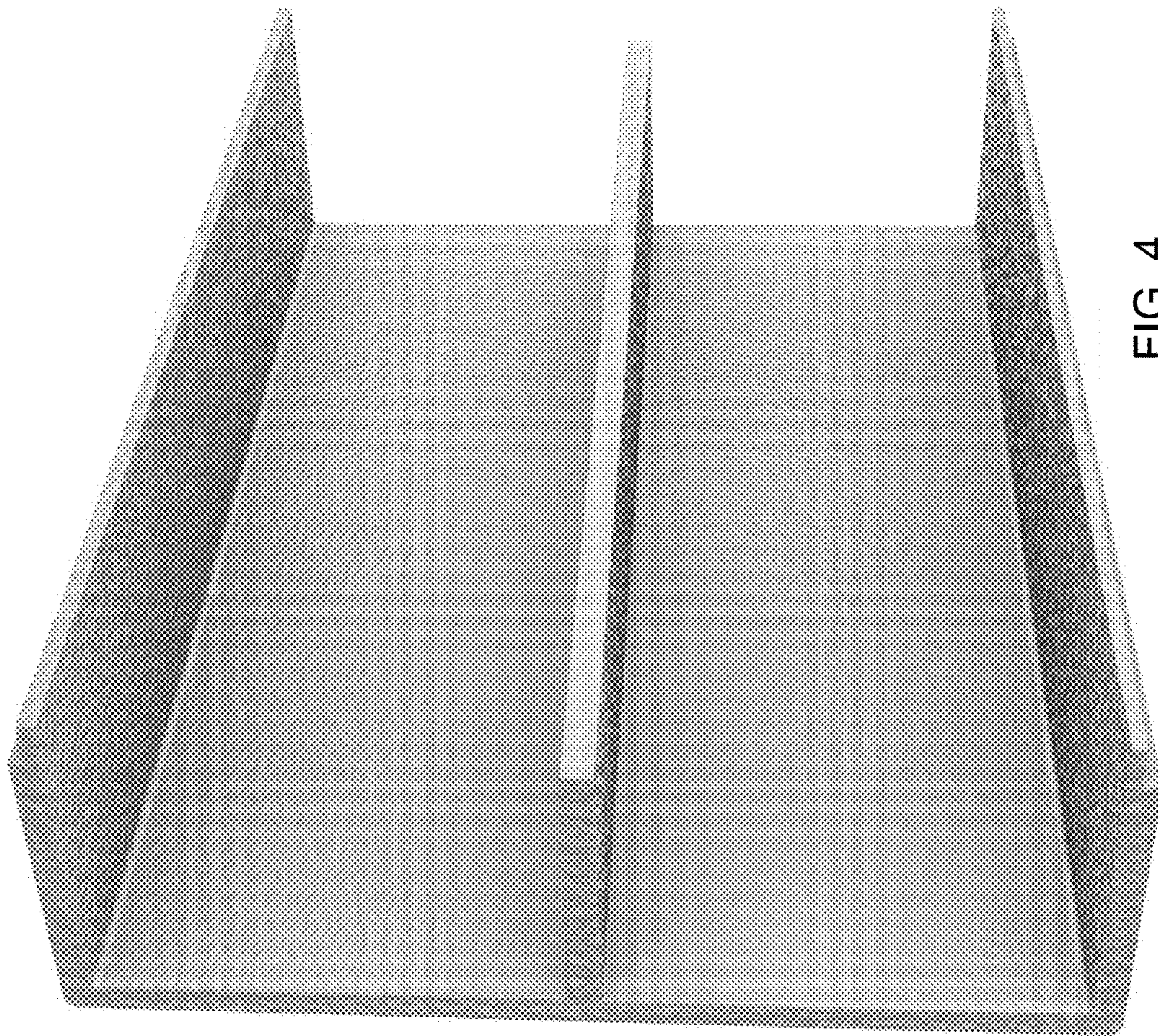


FIG. 4



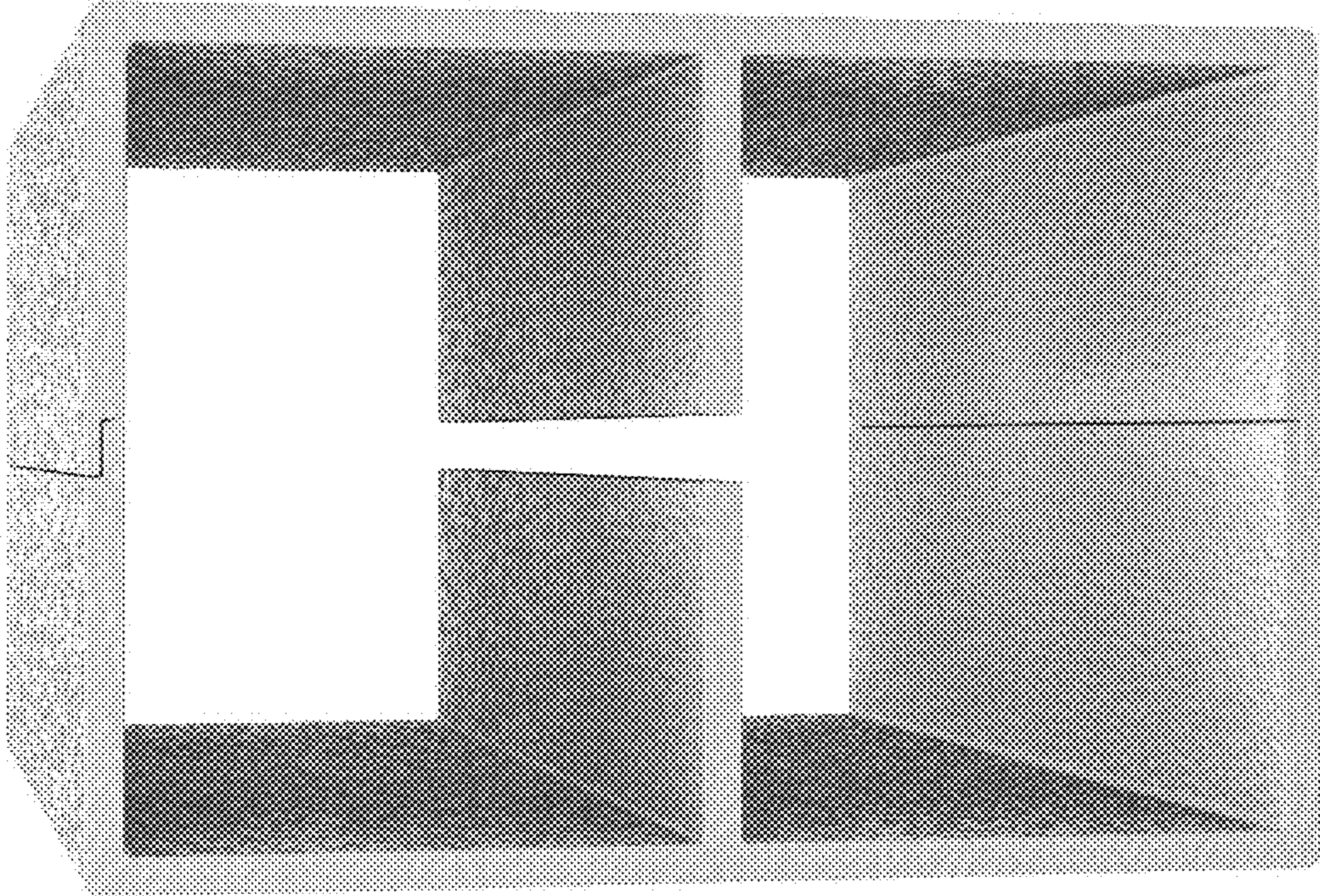


FIG. 5



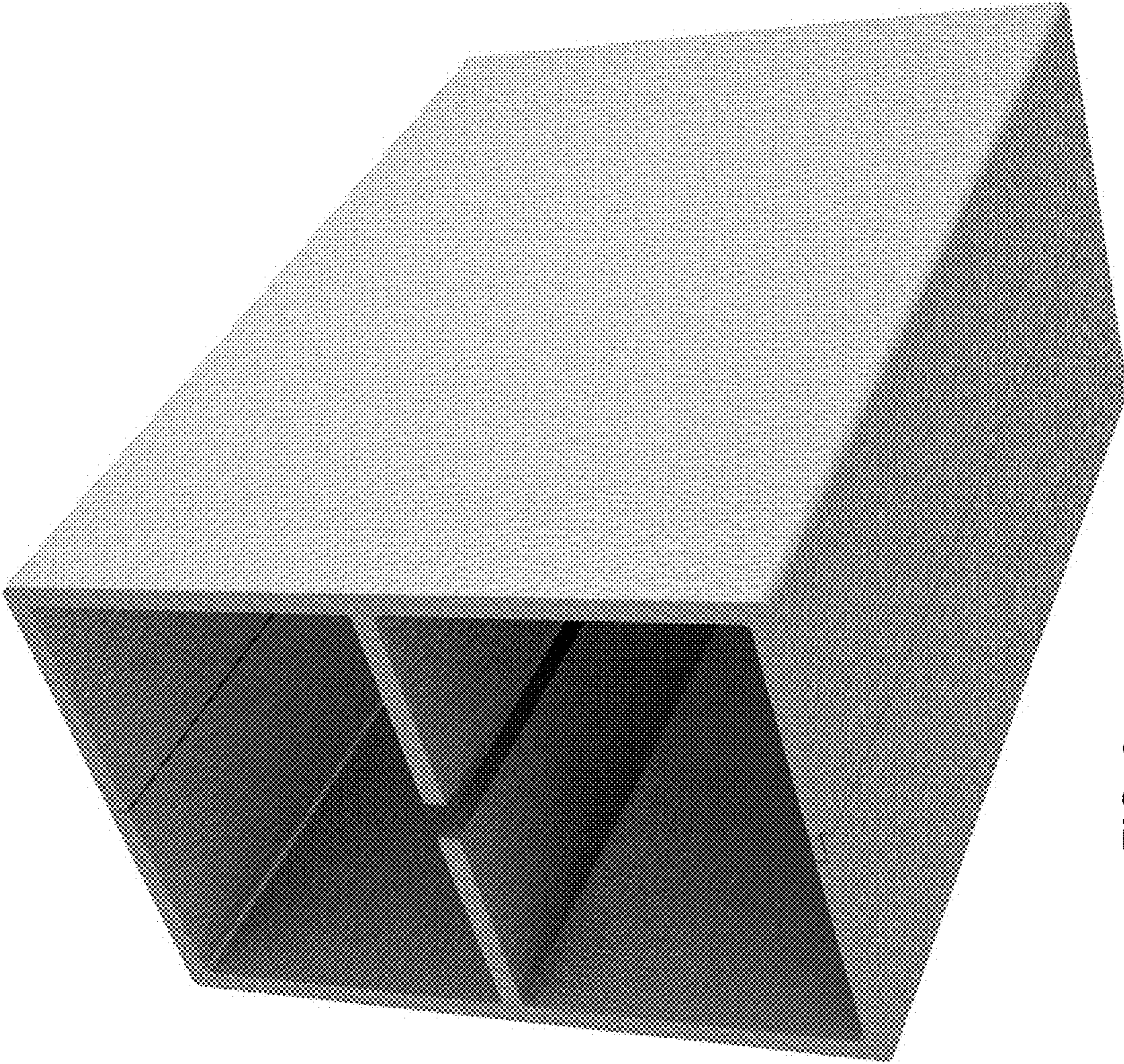


FIG. 6



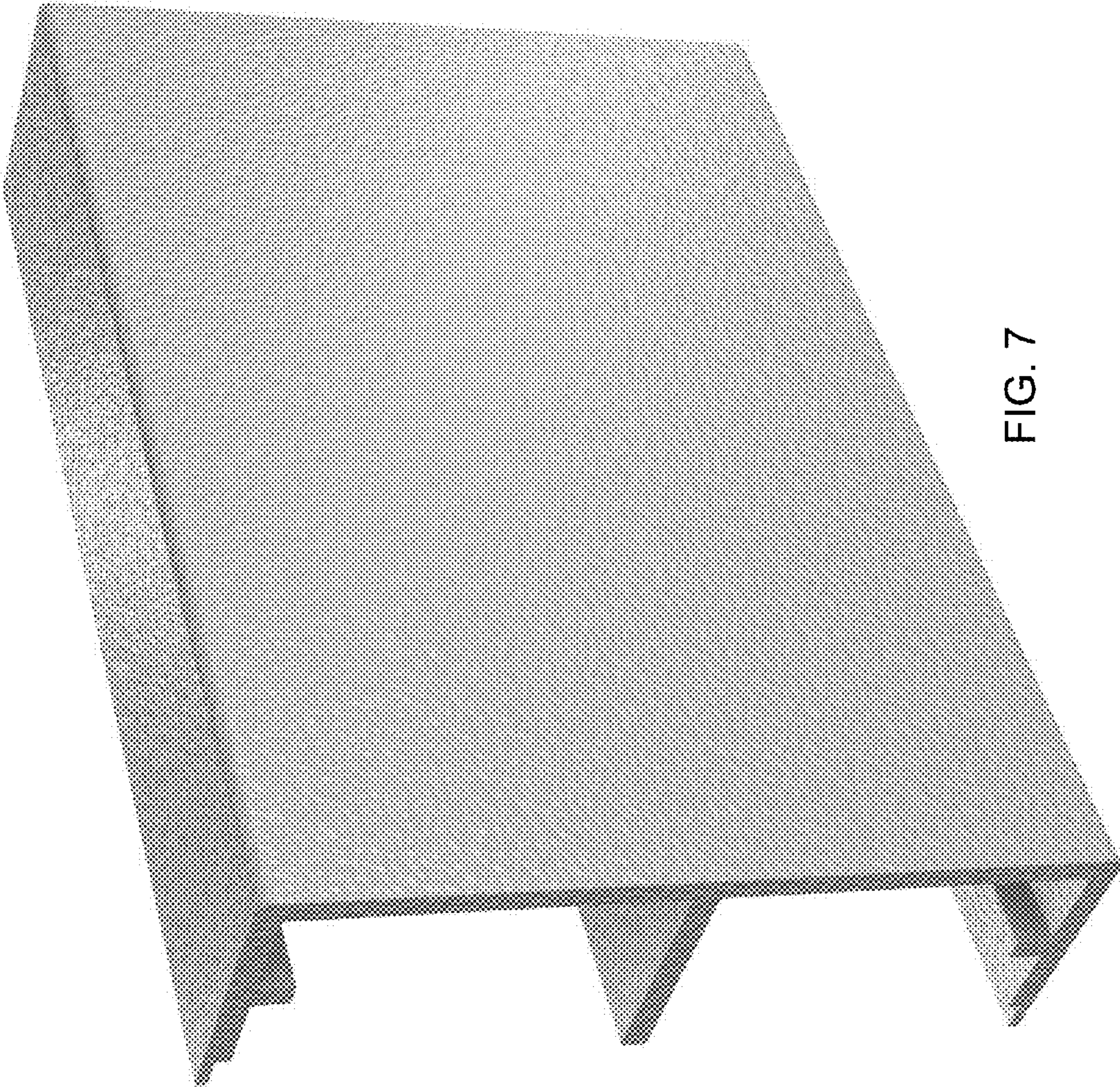


FIG. 7



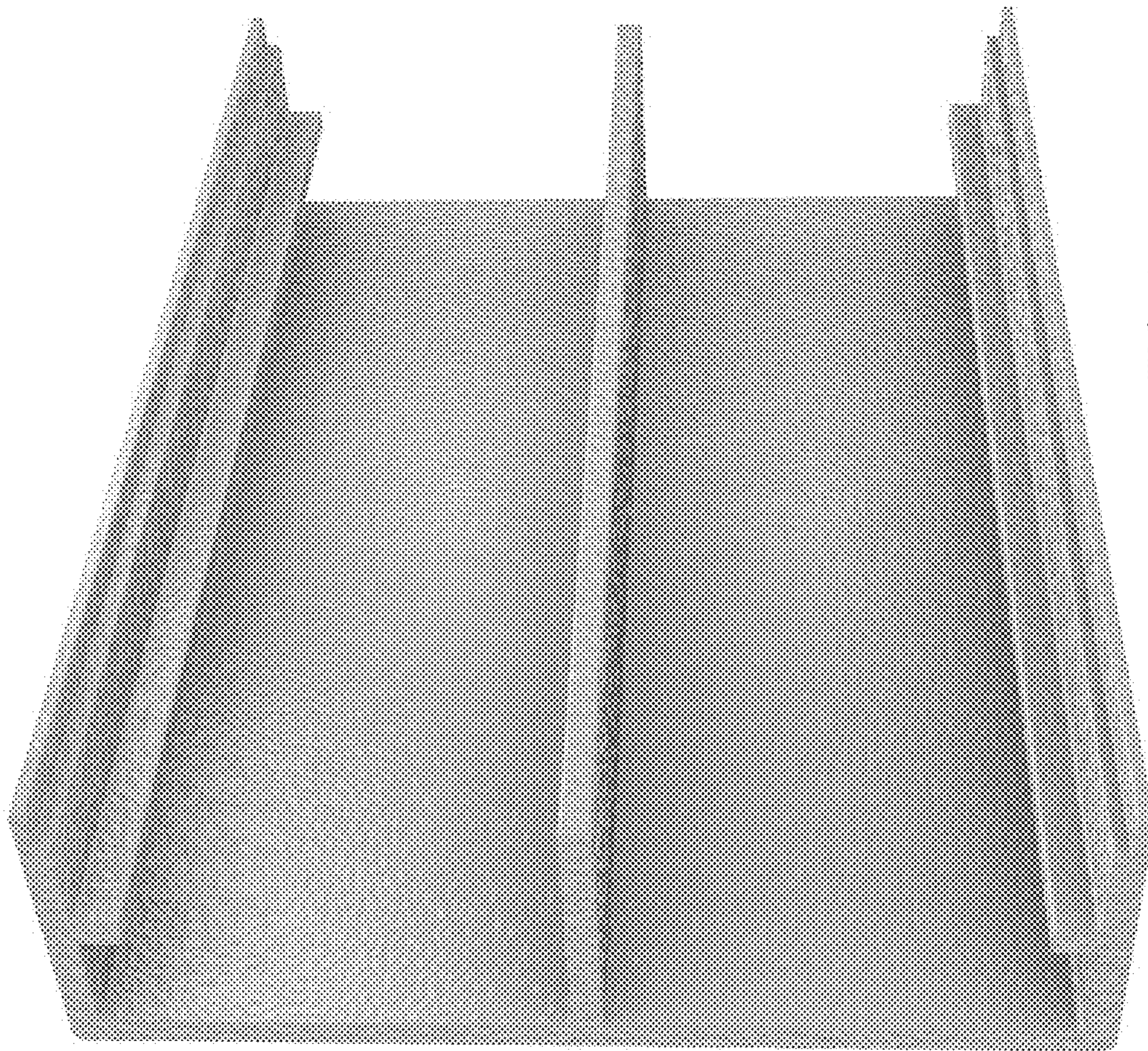


FIG. 8



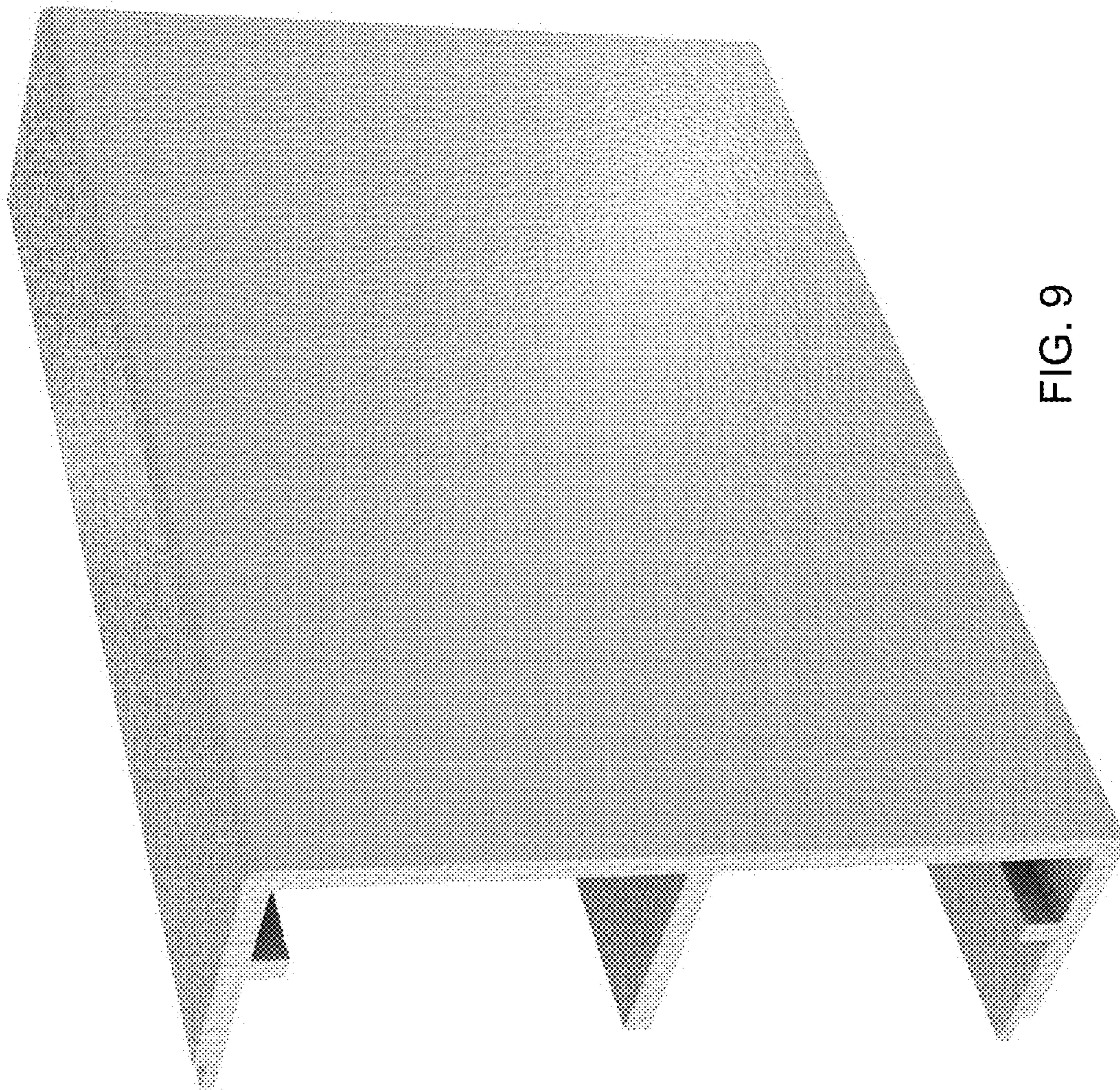


FIG. 9



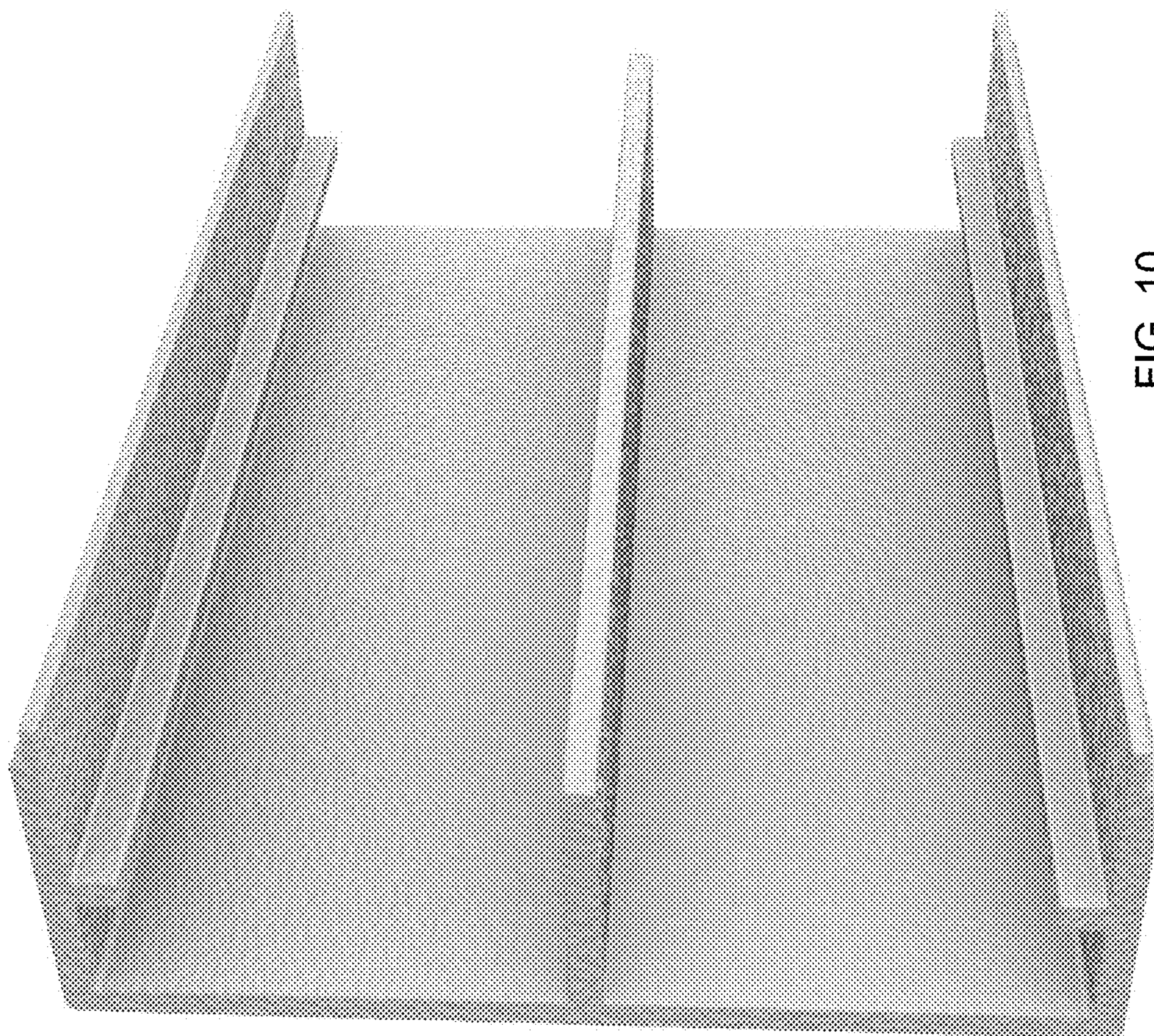


FIG. 10



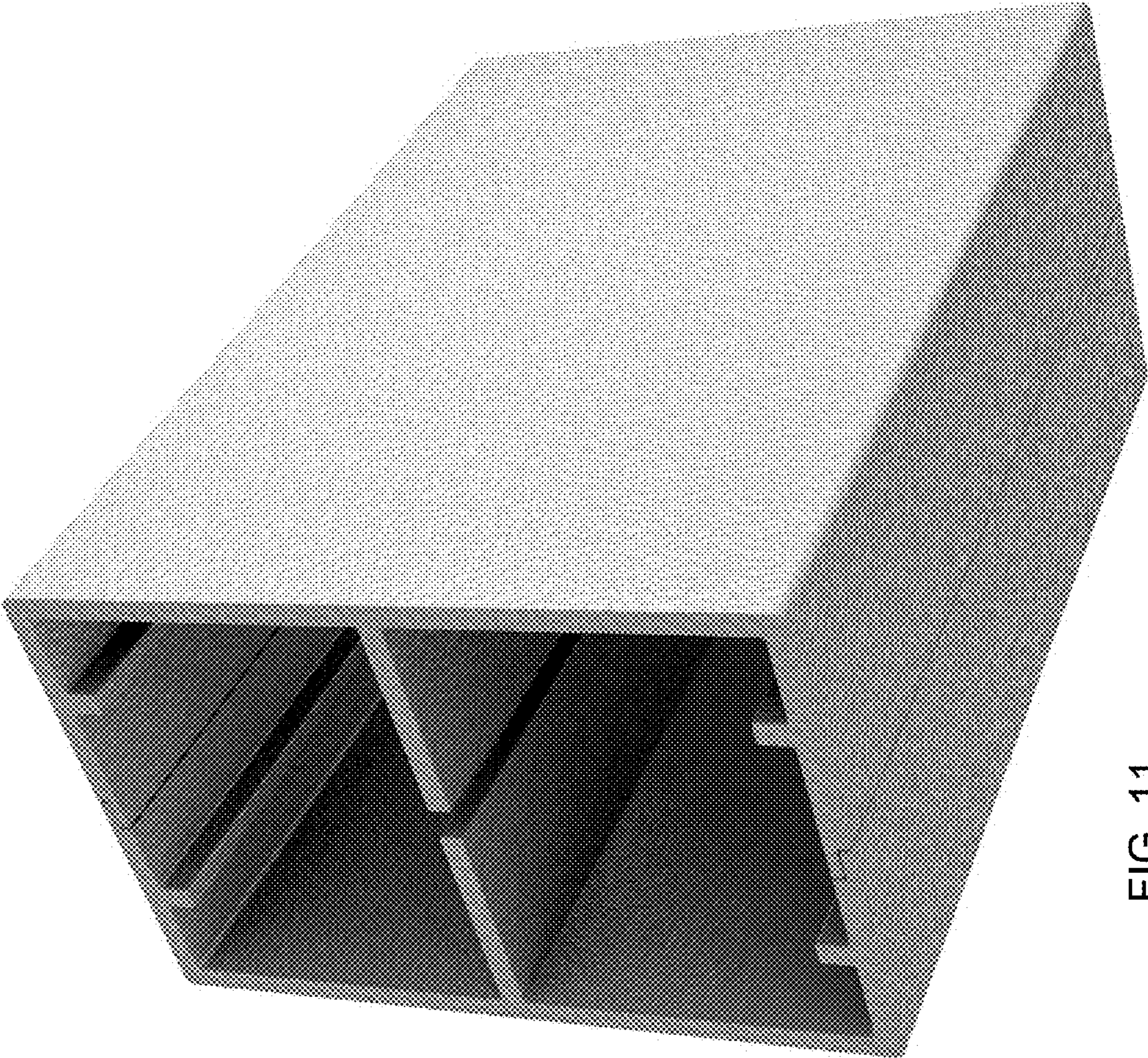


FIG. 11



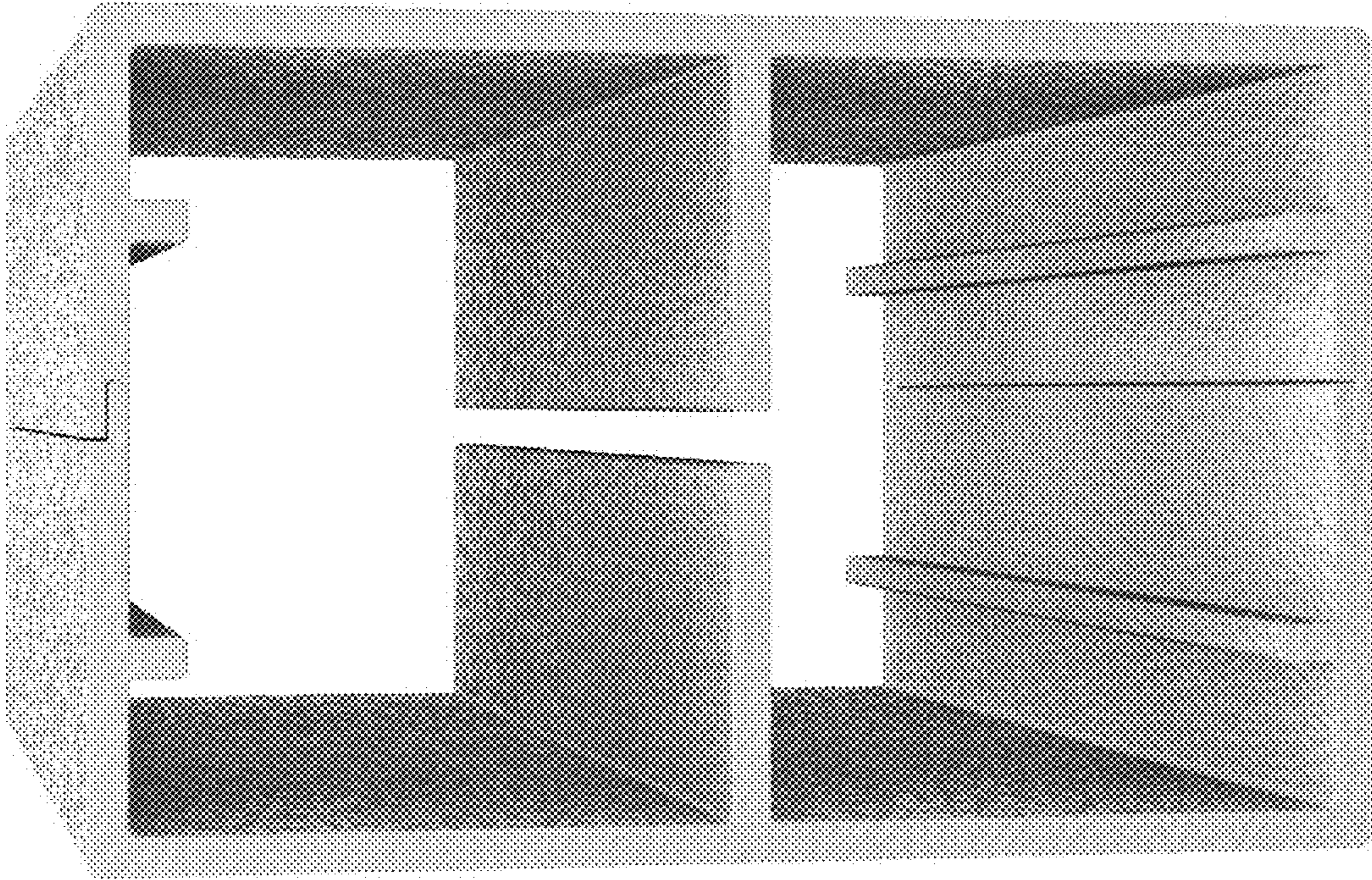


FIG. 12



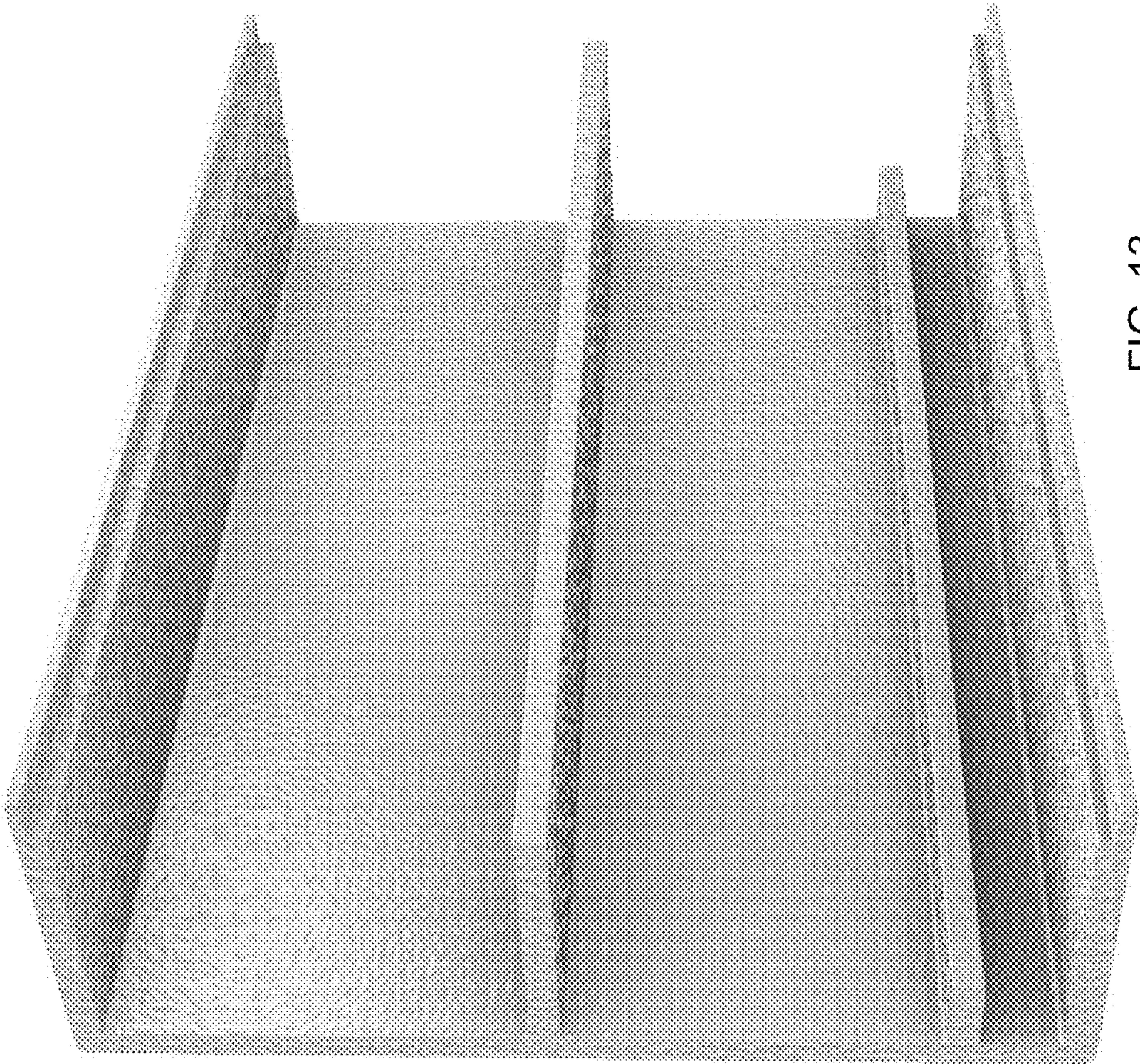


FIG. 13



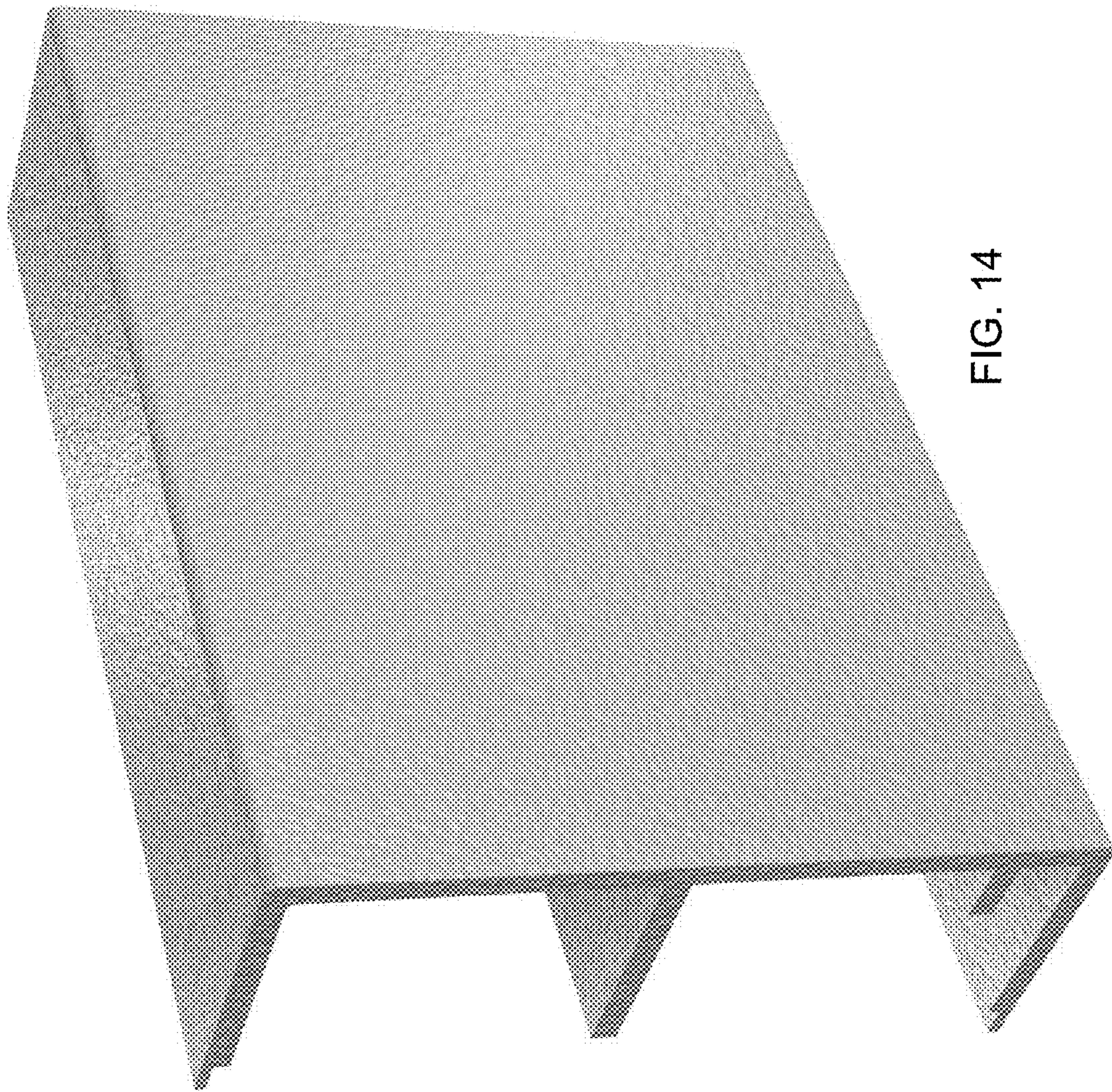


FIG. 14



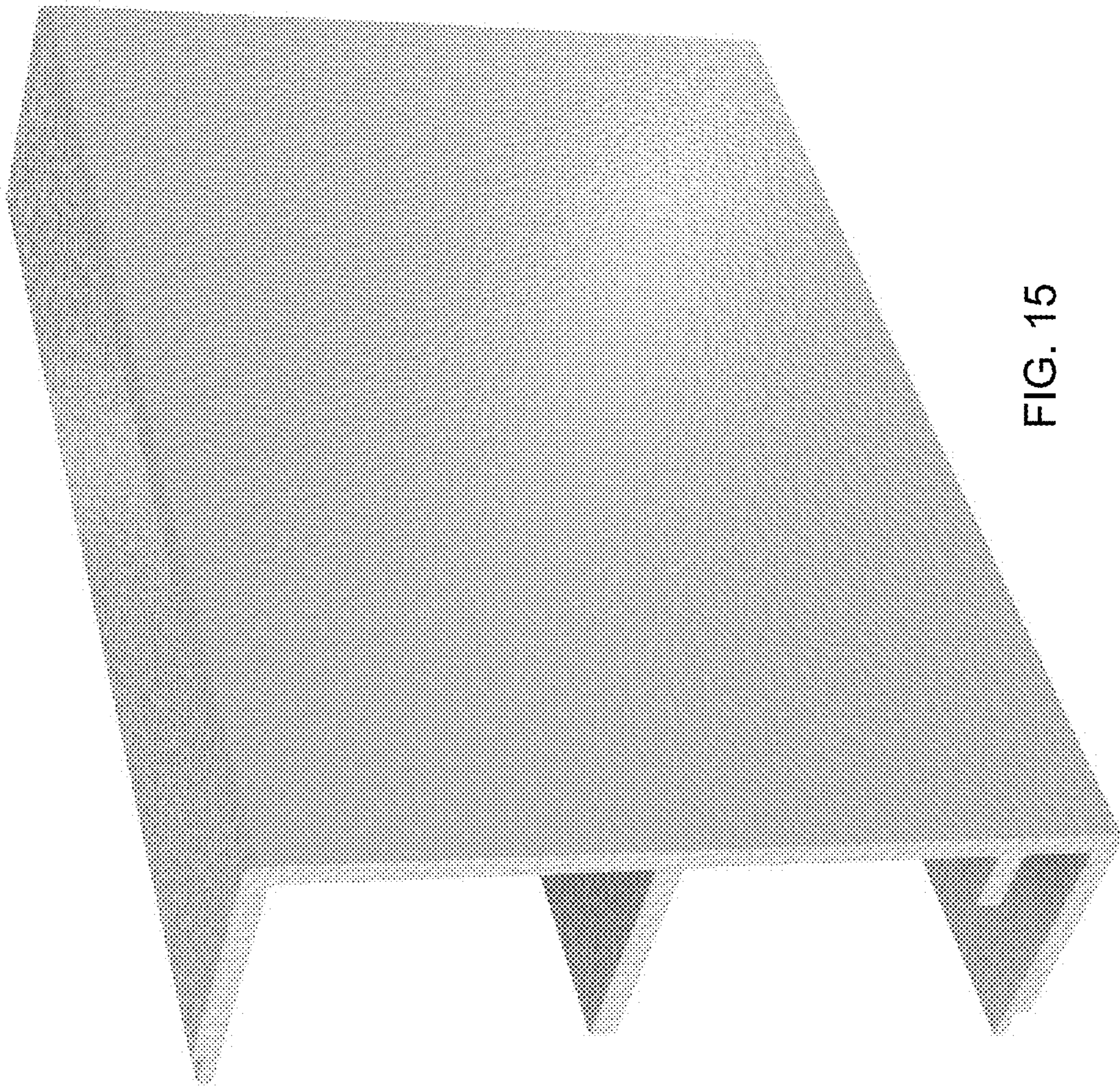


FIG. 15



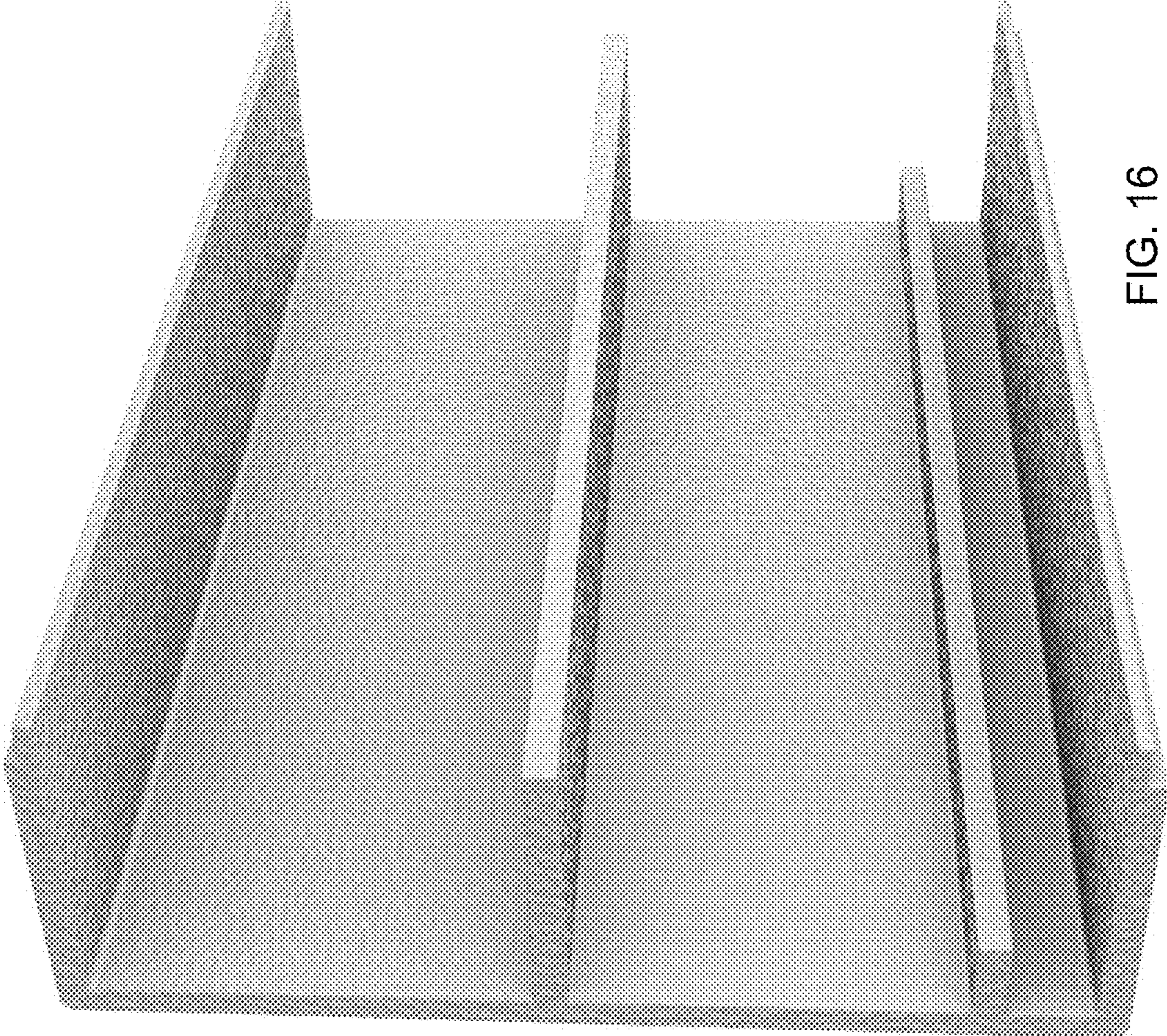


FIG. 16



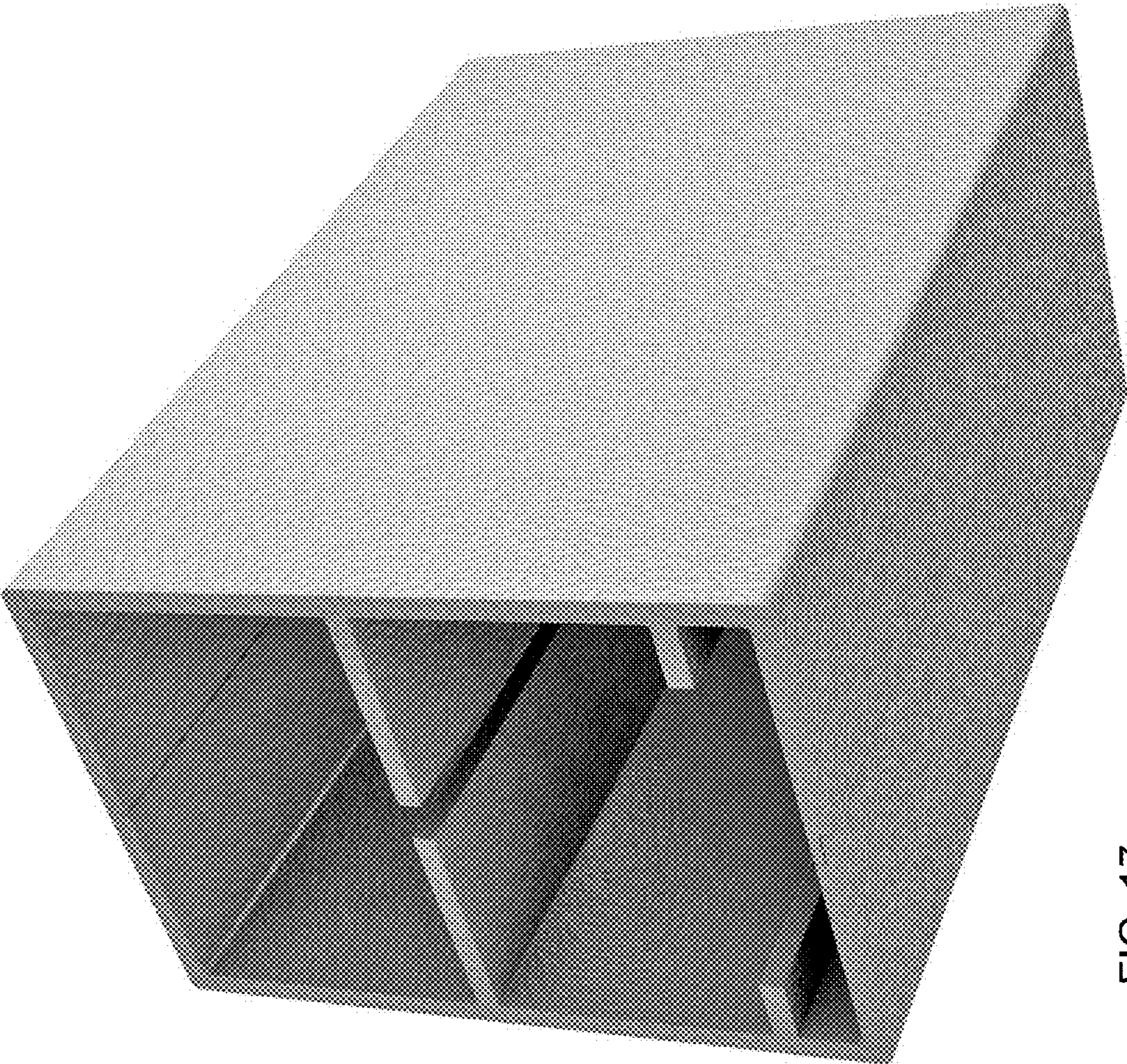


FIG. 17



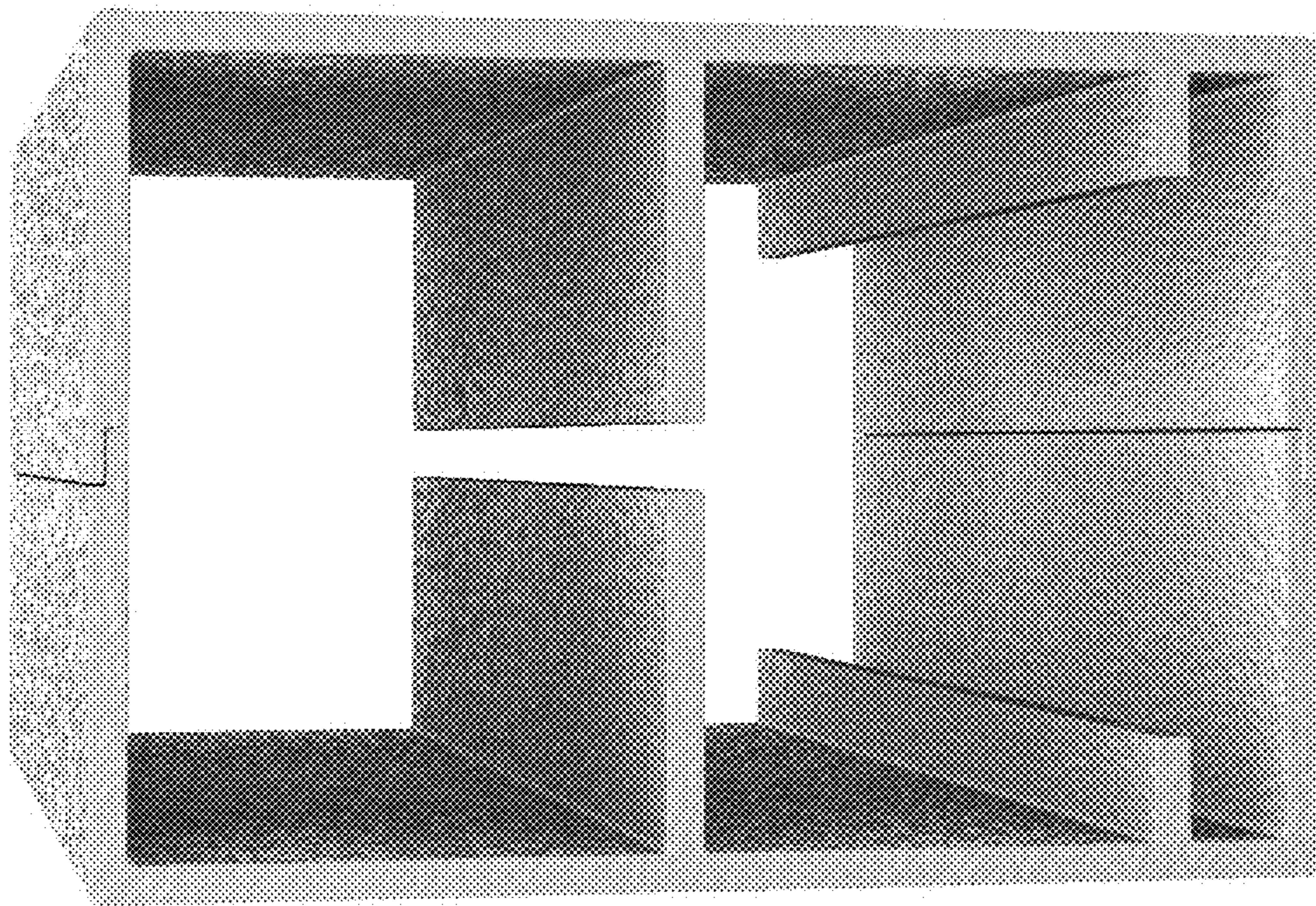


FIG. 18