



US00D729413S

(12) **United States Design Patent**
Male

(10) **Patent No.:** **US D729,413 S**
(45) **Date of Patent:** **** May 12, 2015**

(54) **BRICK**
(71) Applicant: **Terreal**, Suresnes (FR)
(72) Inventor: **Philippe Male**, Toulouse (FR)
(73) Assignee: **Terreal**, Suresnes (FR)
(**) Term: **14 Years**
(21) Appl. No.: **29/481,208**
(22) Filed: **Feb. 3, 2014**
(51) **LOC (10) Cl.** **25-01**
(52) **U.S. Cl.**
USPC **D25/113; D25/114**
(58) **Field of Classification Search**
USPC D25/113-118, 164, 102, 138, 152-162,
D25/199; D21/484-491, 499-504; 405/16,
405/284, 286; 52/503-505, 574, 575,
52/596-612, 592.6, 561, 566; 404/27-42;
D8/1
See application file for complete search history.

3,416,276 A * 12/1968 Caputo et al. 52/606
D367,715 S * 3/1996 Joubert D25/114
D403,438 S * 12/1998 Risi et al. D25/114
D429,531 S * 8/2000 VonDross D25/114
D614,778 S * 4/2010 Yang D25/113

FOREIGN PATENT DOCUMENTS

EM 002091546-0001 8/2012

* cited by examiner

Primary Examiner — Anhdao Doan

(74) *Attorney, Agent, or Firm* — Notaro, Michalos & Zaccaria P.C.

(57) **CLAIM**

The ornamental design for a brick, as shown and described.

DESCRIPTION

FIG. 1 is a bottom plan view of a brick showing my design therefor;

FIG. 2 is a front elevational view thereof;

FIG. 3 is a front, left, top perspective view thereof;

FIG. 4 is a side elevational view thereof; and,

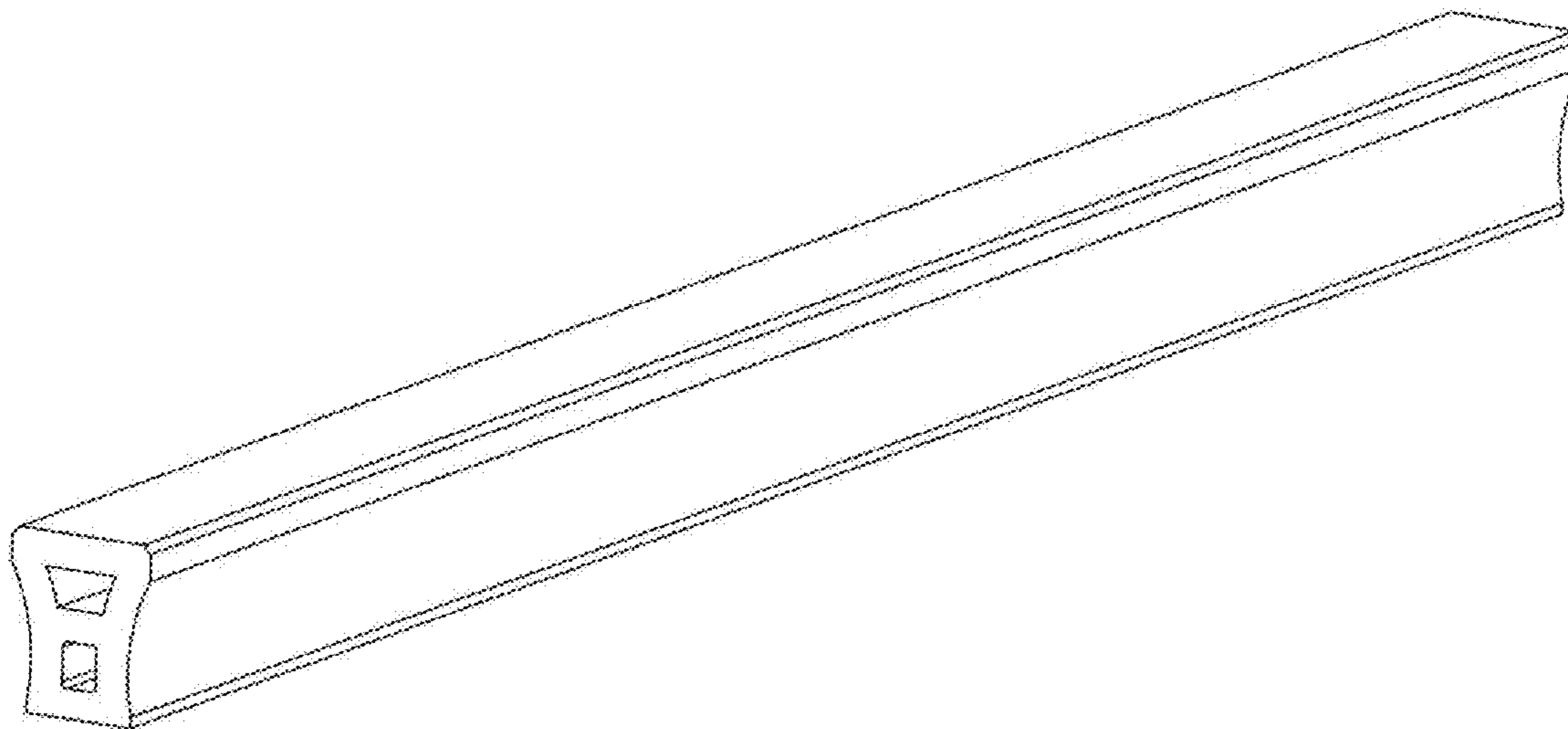
FIG. 5 is a top plan view thereof.

1 Claim, 5 Drawing Sheets

(56) **References Cited**

U.S. PATENT DOCUMENTS

178,988 A * 6/1876 Borie D25/117
1,382,652 A * 6/1921 Kiefer 52/204.1



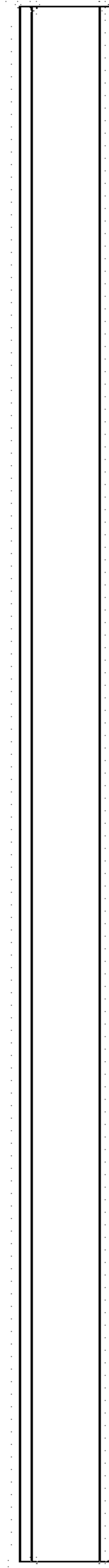


Fig. 1

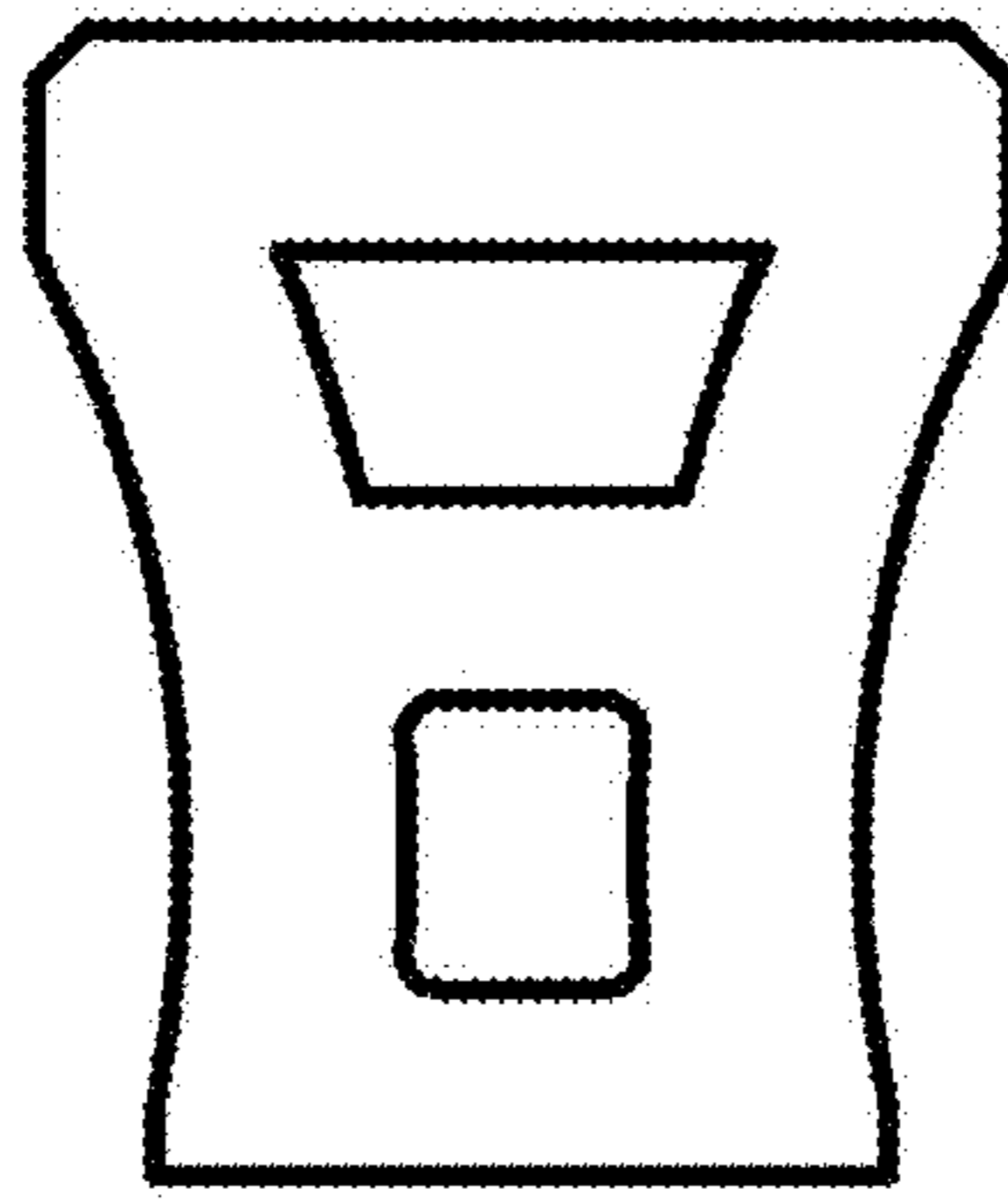


FIG. 2

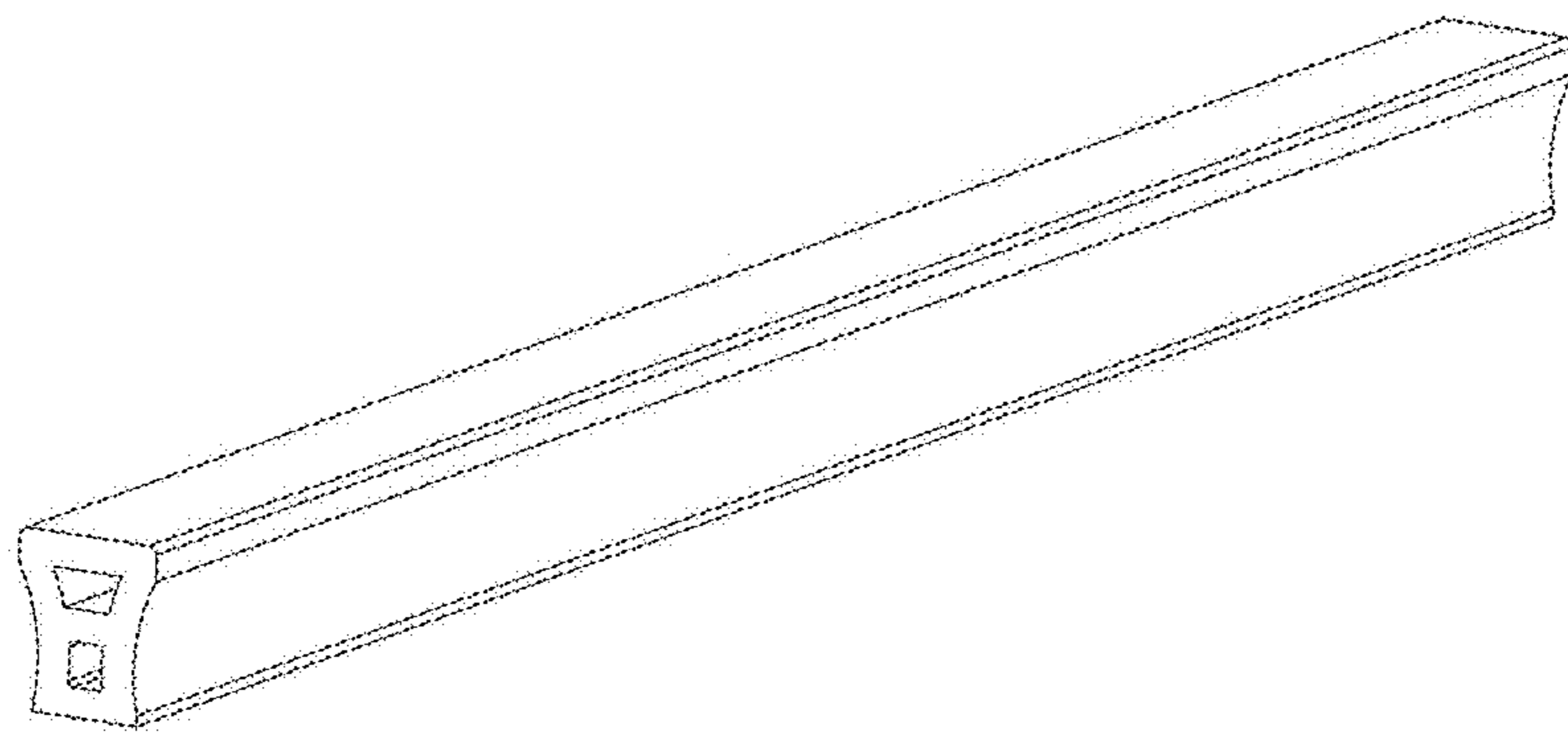


Fig. 3



FIG. 4

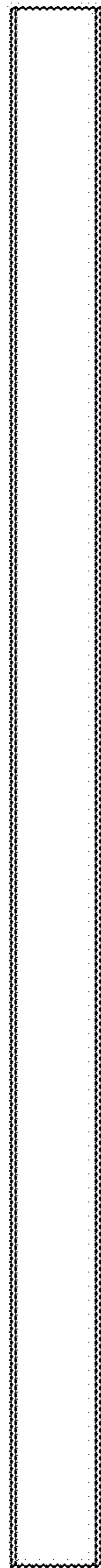


Fig. 5