



US00D729411S

(12) **United States Design Patent**
Lee Lum

(10) **Patent No.:** **US D729,411 S**
(45) **Date of Patent:** **** May 12, 2015**

(54) **VENTILATED BUILDING BLOCK**
(71) Applicant: **Mark E. Lee Lum**, Maraval (TT)
(72) Inventor: **Mark E. Lee Lum**, Maraval (TT)
(**) Term: **14 Years**
(21) Appl. No.: **29/457,688**
(22) Filed: **Jun. 12, 2013**
(51) **LOC (10) Cl.** **25-01**
(52) **U.S. Cl.**
USPC **D25/113**
(58) **Field of Classification Search**
USPC D25/112-118, 164; D8/1; 52/574,
52/302.4, 604, 606, 607, 503-505, 608,
52/609
See application file for complete search history.

(56) **References Cited**
U.S. PATENT DOCUMENTS
2,158,943 A * 5/1939 Mamula D25/113
D448,858 S * 10/2001 Azar D25/113
6,340,267 B1 * 1/2002 Kortmann 404/34
7,757,451 B2 7/2010 Lum
2010/0242390 A1* 9/2010 Lee Lum 52/302.1
2013/0014459 A1* 1/2013 Elwell 52/302.1

* cited by examiner

Primary Examiner — Anhdao Doan
(74) *Attorney, Agent, or Firm* — Nixon & Vanderhye P.C.

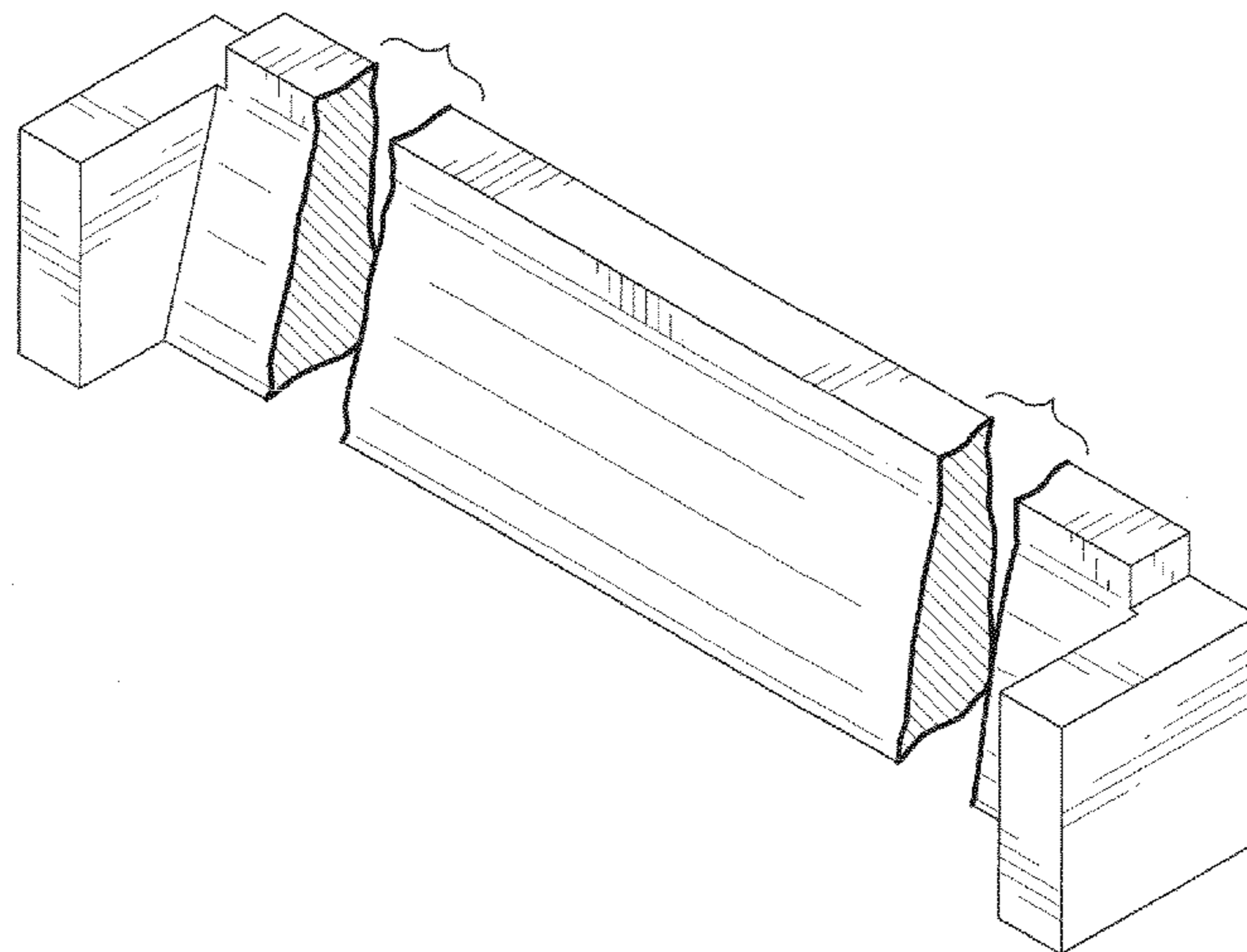
(57) **CLAIM**
The ornamental design for a ventilated building block, as shown and described.

DESCRIPTION

FIG. 1 is a right, front perspective view of a ventilated building block in accordance with a first embodiment of my new design;

FIG. 2 is a front elevation view of the first embodiment thereof;
FIG. 3 is a rear elevation view of the first embodiment thereof;
FIG. 4 is a top plan view of the first embodiment thereof;
FIG. 5 is a bottom plan view of the first embodiment thereof;
FIG. 6 is a left side elevation view of the first embodiment thereof;
FIG. 7 is a right side elevation view of the first embodiment thereof;
FIG. 8 is a section view of the first embodiment taken along the line 8-8 in FIG. 2;
FIG. 9 is a right, front perspective view of a ventilated building block in accordance with a second embodiment;
FIG. 10 is a front elevation view of the second embodiment thereof;
FIG. 11 is a rear elevation view of the second embodiment thereof;
FIG. 12 is a top plan view of the second embodiment thereof;
FIG. 13 is a bottom plan view of the second embodiment thereof;
FIG. 14 is a left side elevation view of the second embodiment thereof;
FIG. 15 is a right side elevation view of the second embodiment thereof;
FIG. 16 is a section view of the second embodiment taken along the line 16-16 in FIG. 10;
FIG. 17 is a right, front perspective view of a ventilated building block in accordance with a third embodiment;
FIG. 18 is a front elevation view of the third embodiment thereof;
FIG. 19 is a rear elevation view of the third embodiment thereof;
FIG. 20 is a top plan view of the third embodiment thereof;
FIG. 21 is a bottom plan view of the third embodiment thereof;
FIG. 22 is a left side elevation view of the third embodiment thereof;
FIG. 23 is a right side elevation view of the third embodiment thereof; and,
FIG. 24 is a section view of the third embodiment taken along the line 24-24 in FIG. 18.

1 Claim, 6 Drawing Sheets



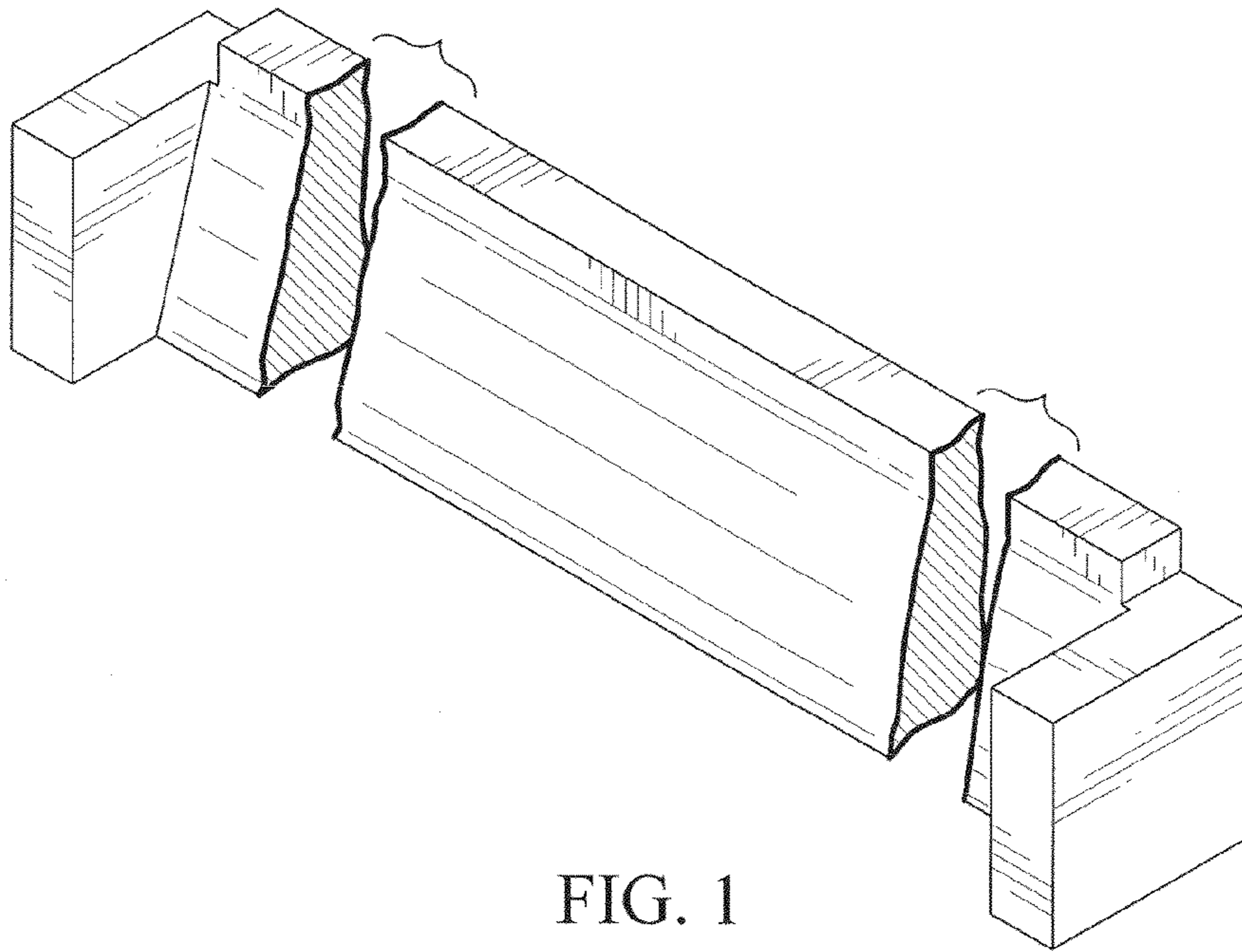


FIG. 1

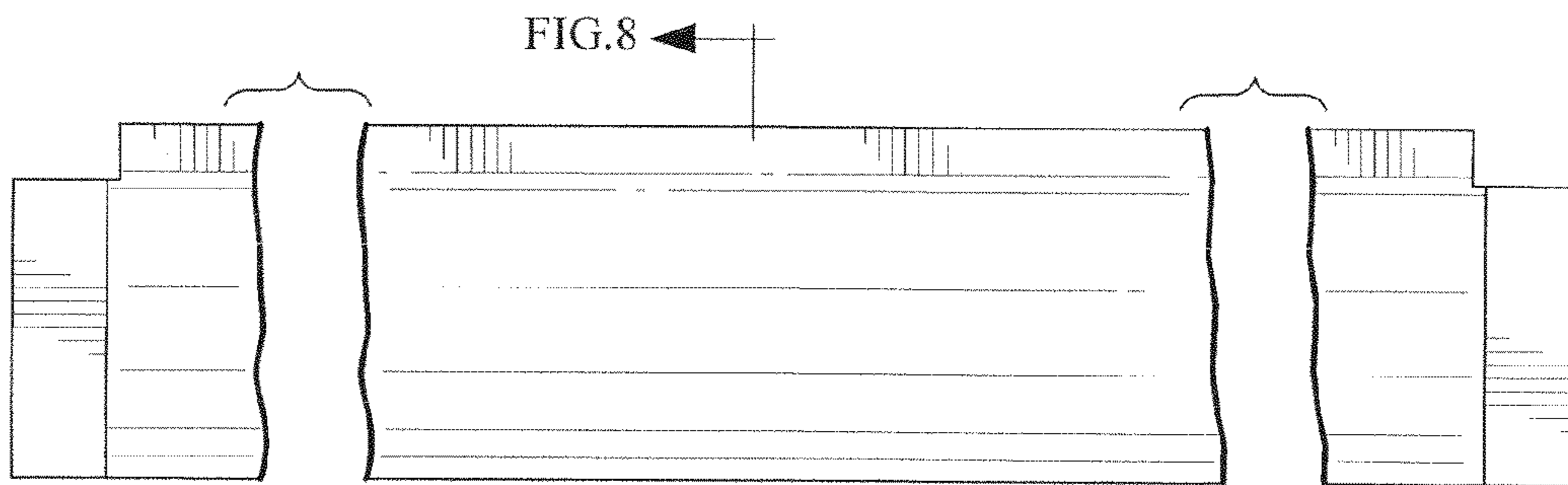


FIG.8 ←

FIG.8 ←

FIG. 2

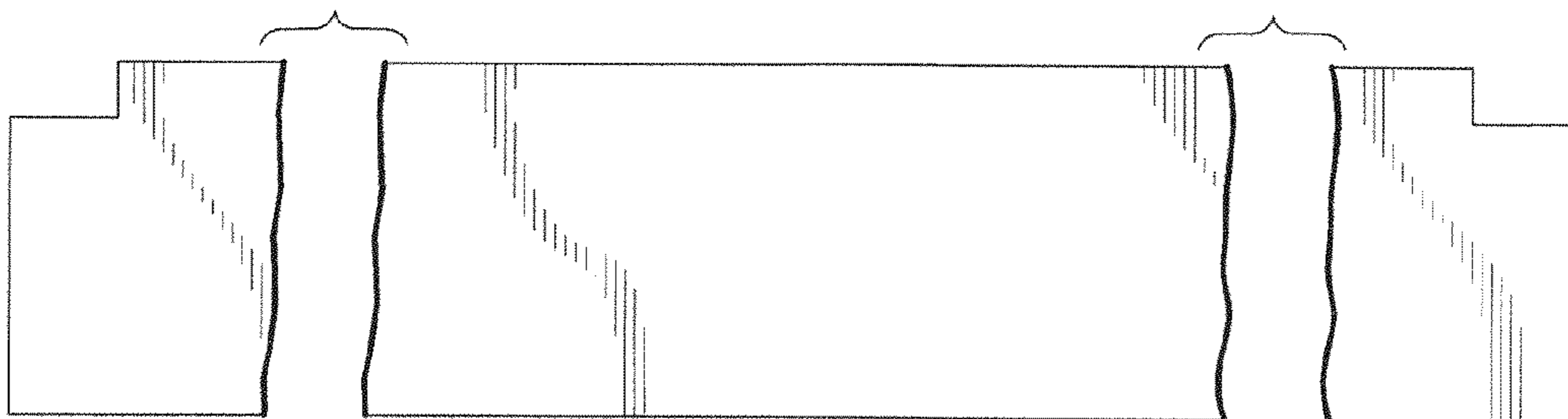


FIG. 3

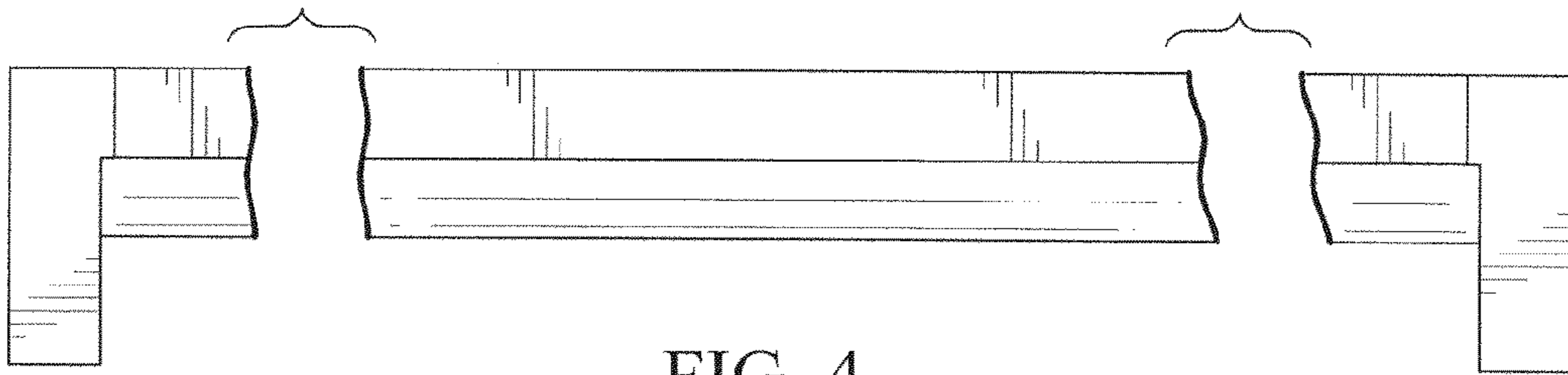


FIG. 4

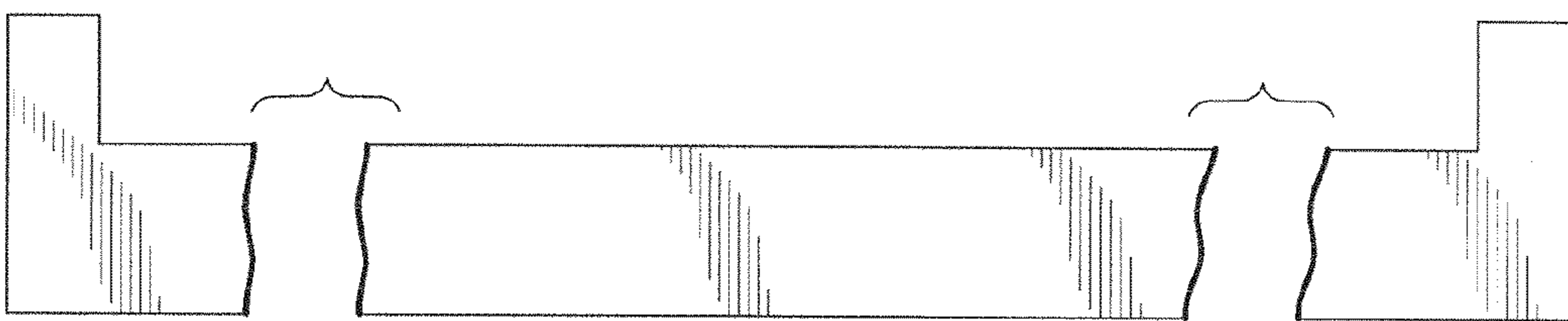


FIG. 5

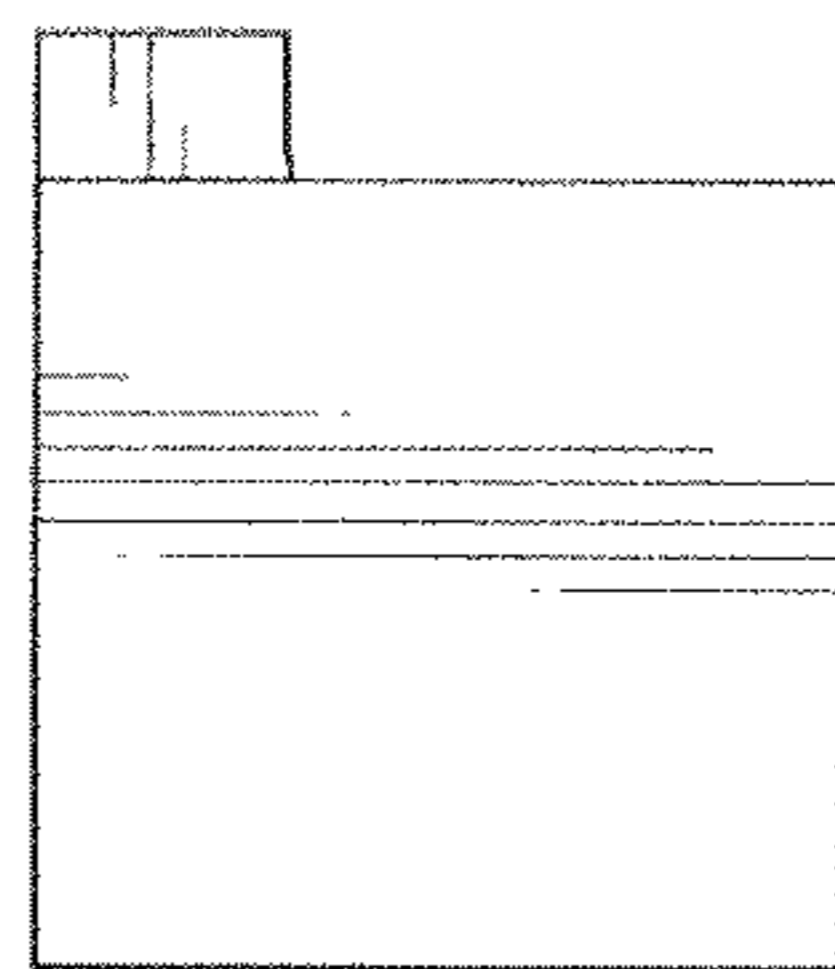


FIG. 6

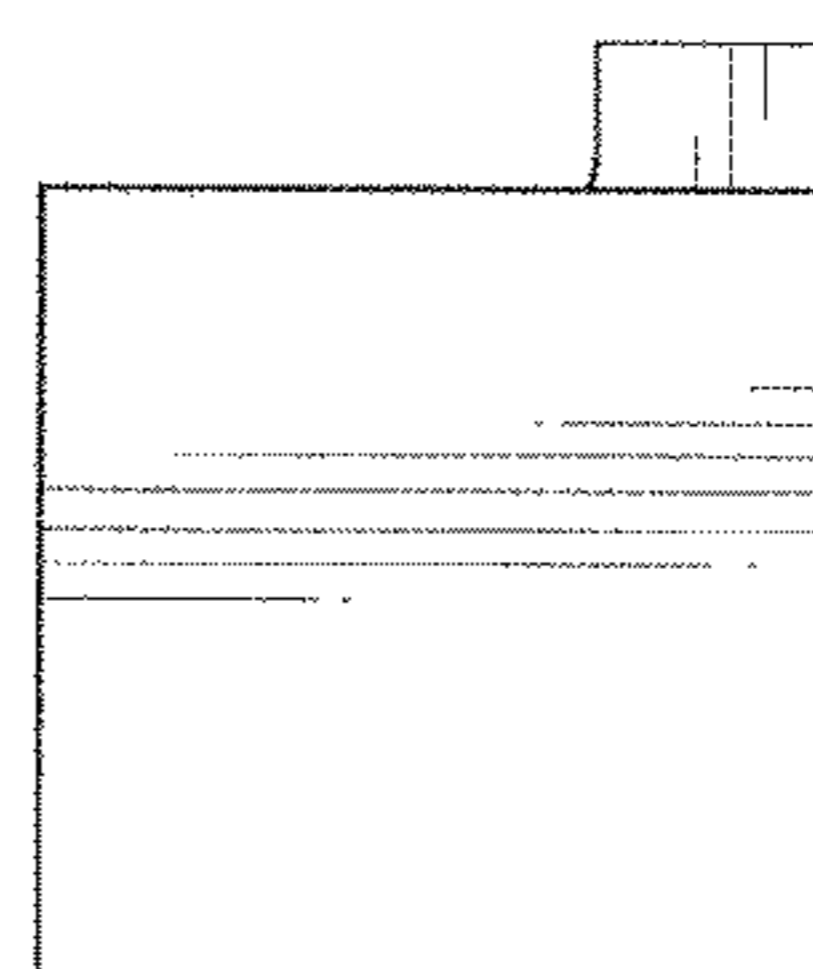


FIG. 7

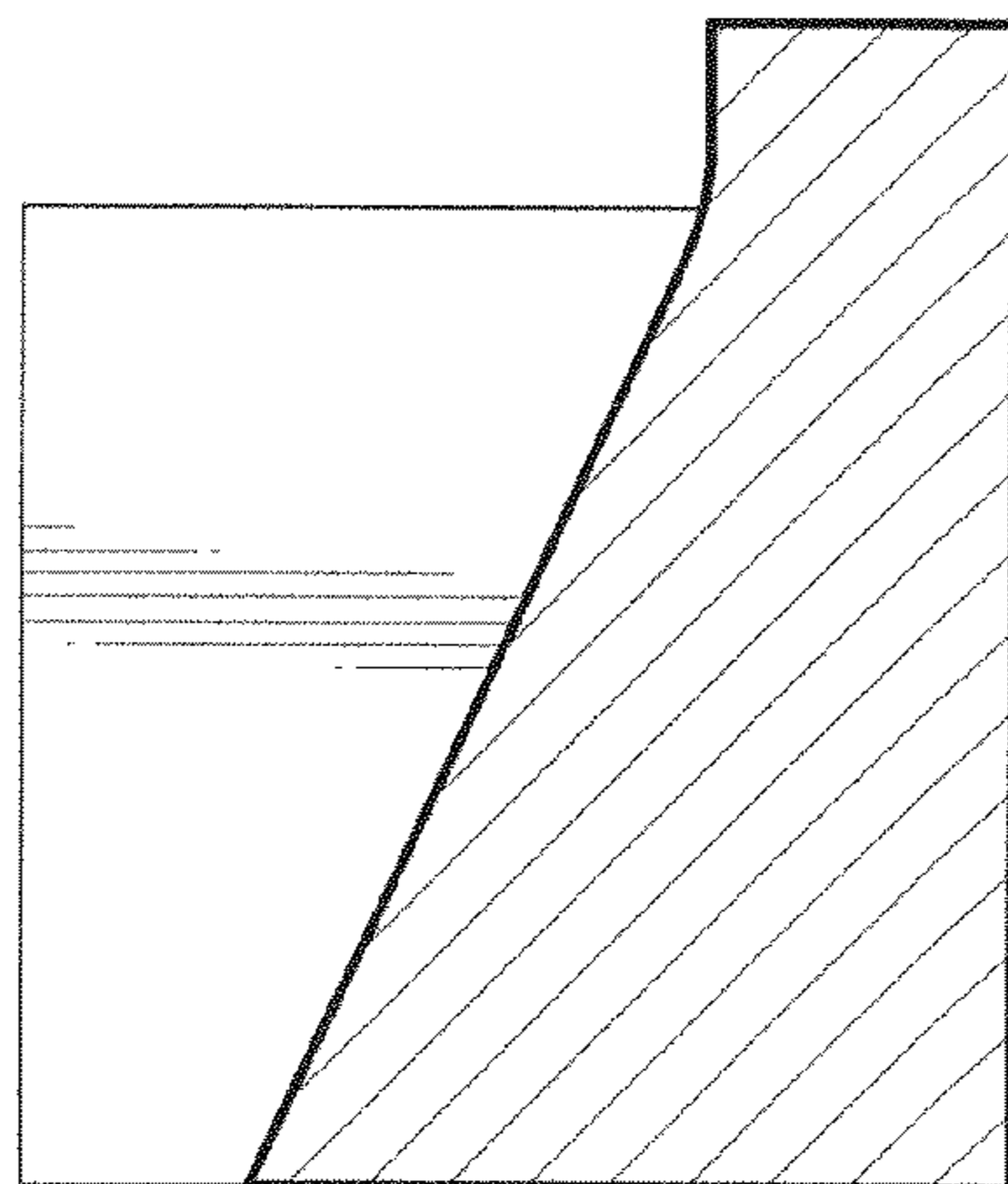


FIG. 8

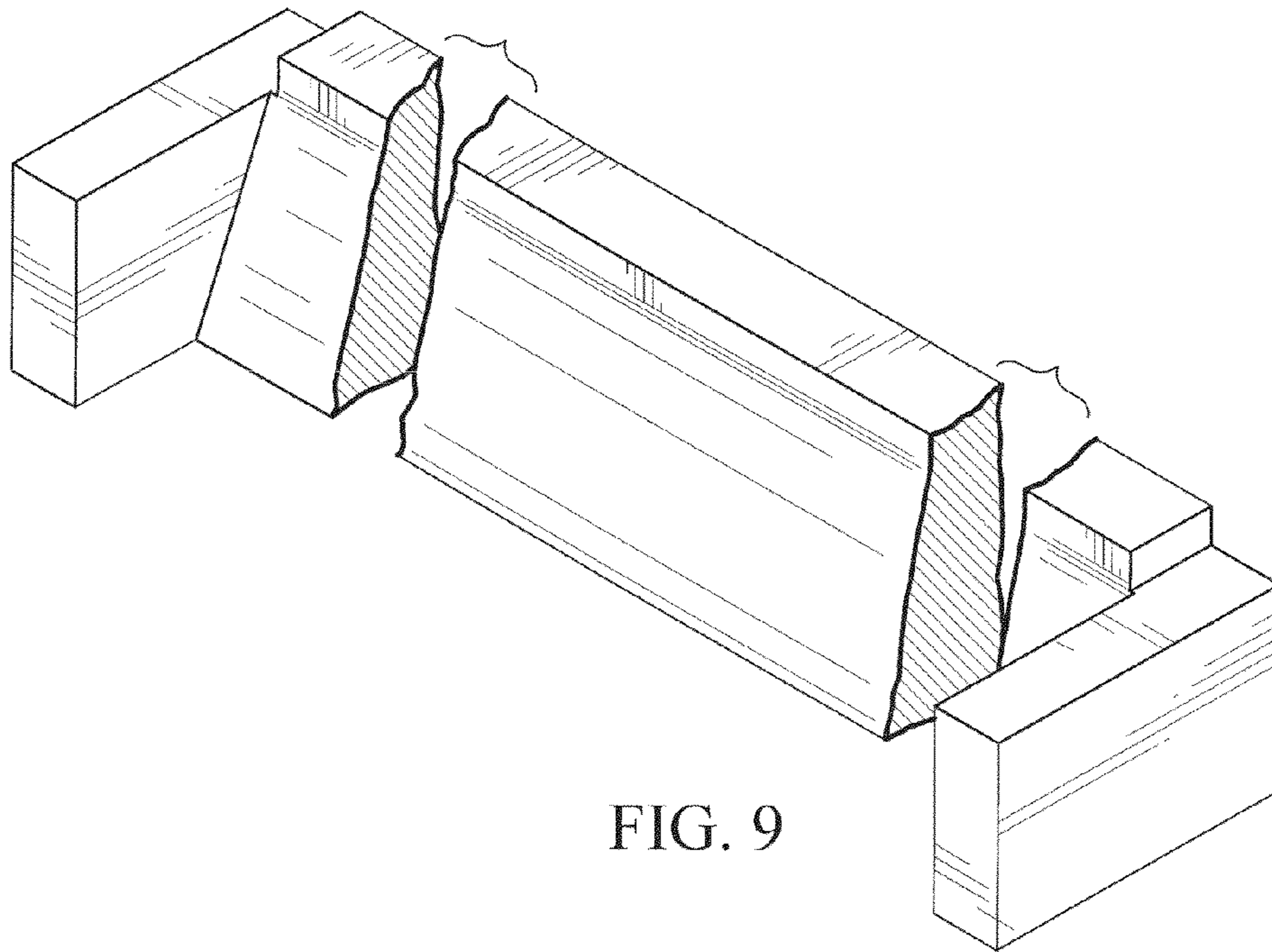


FIG. 9

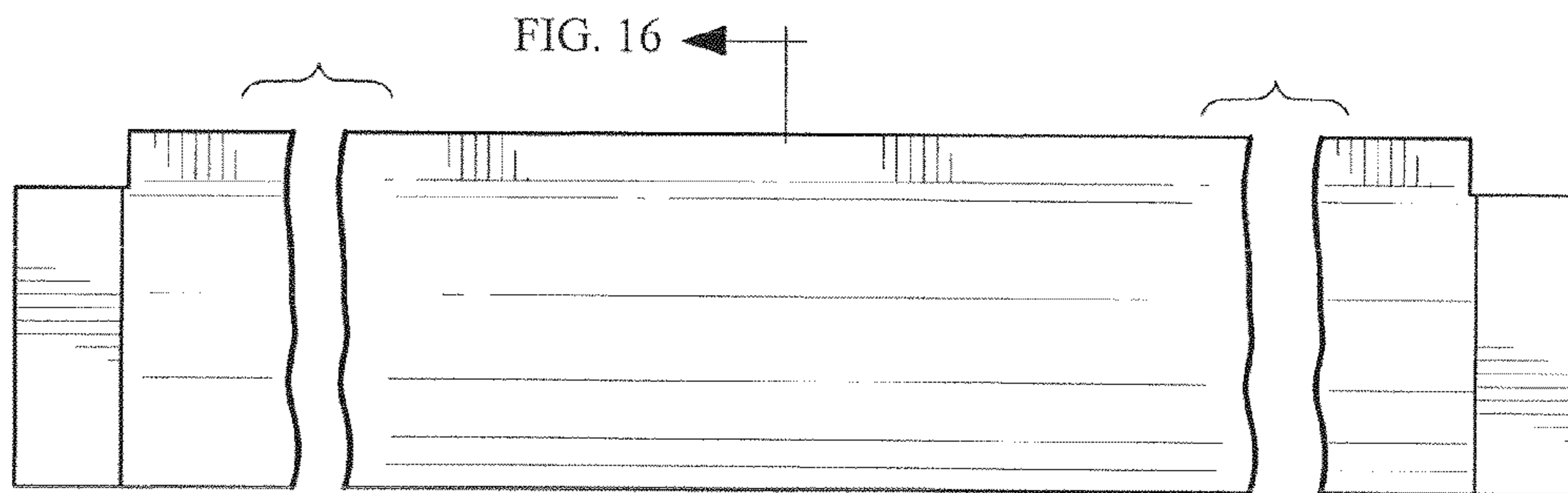


FIG. 16

FIG. 10

FIG. 16

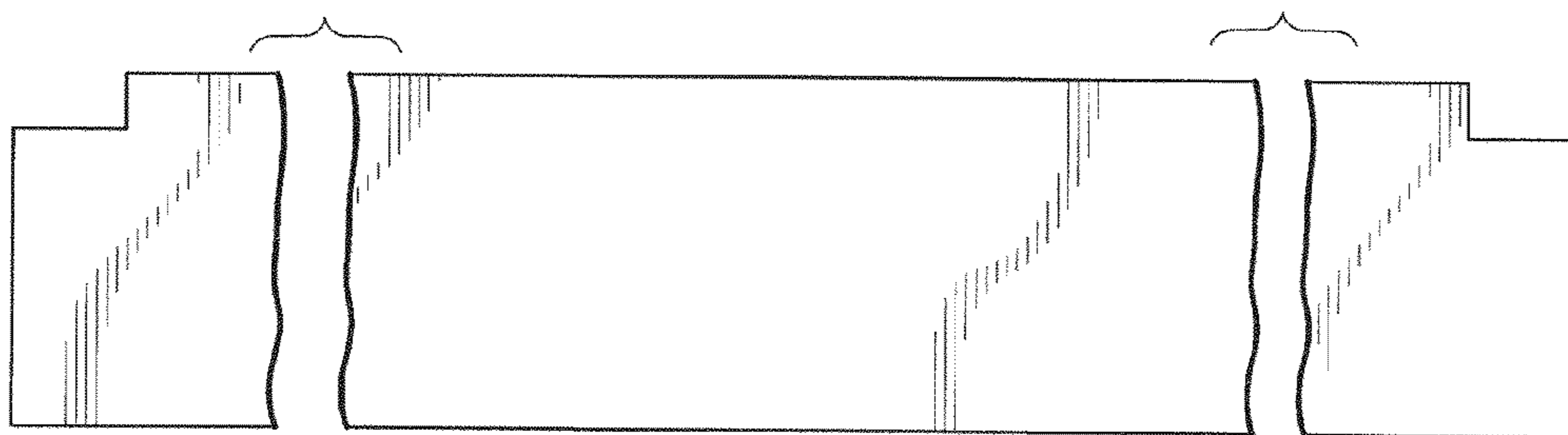
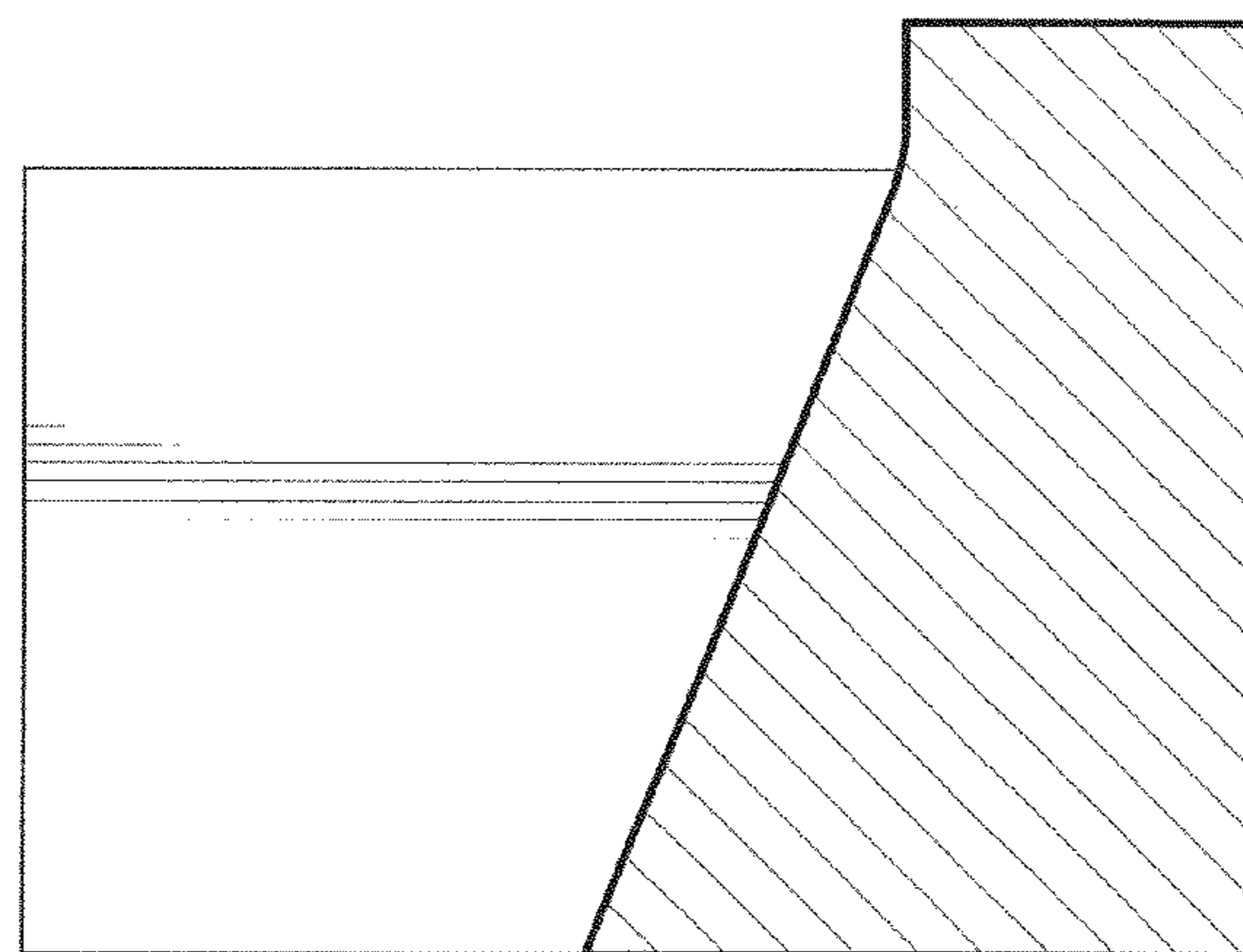
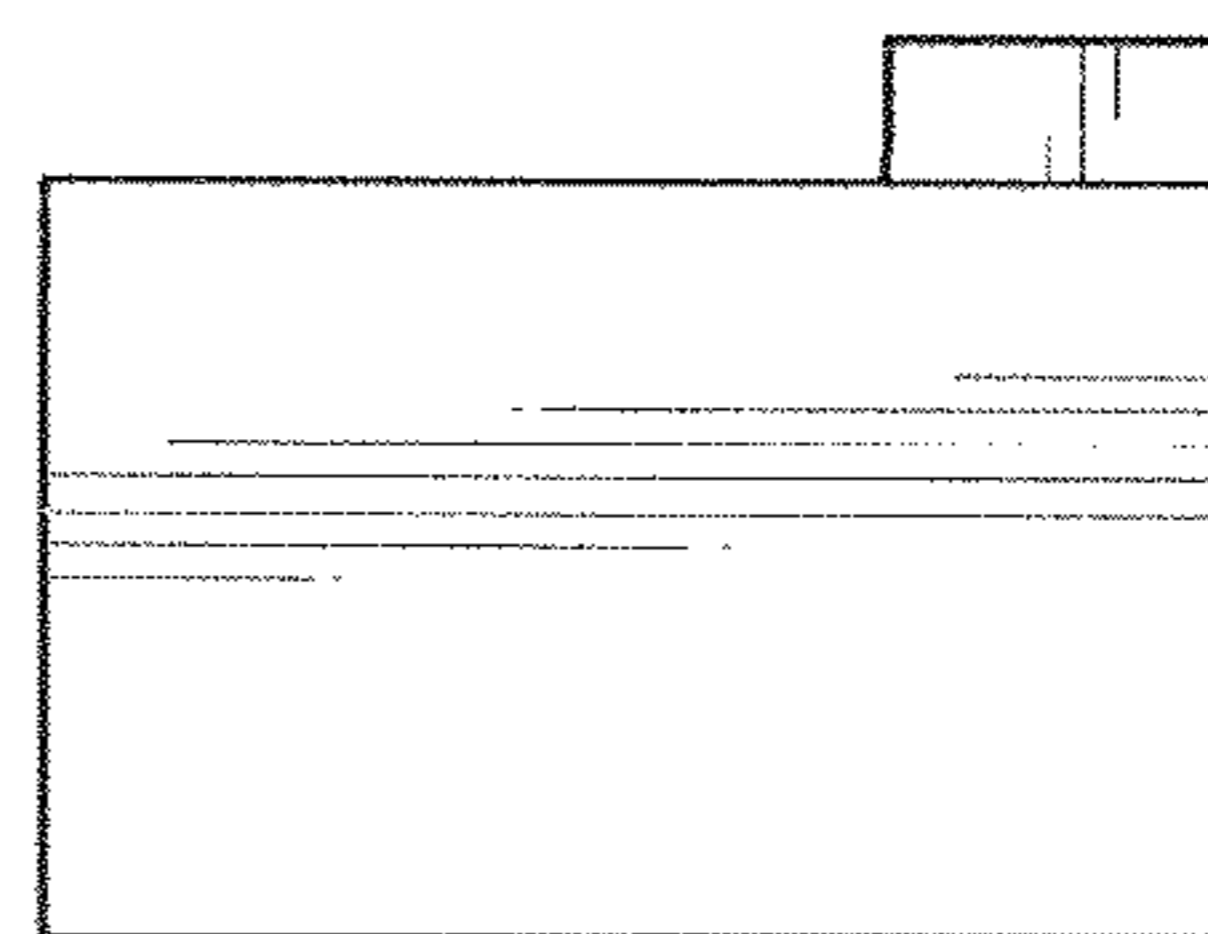
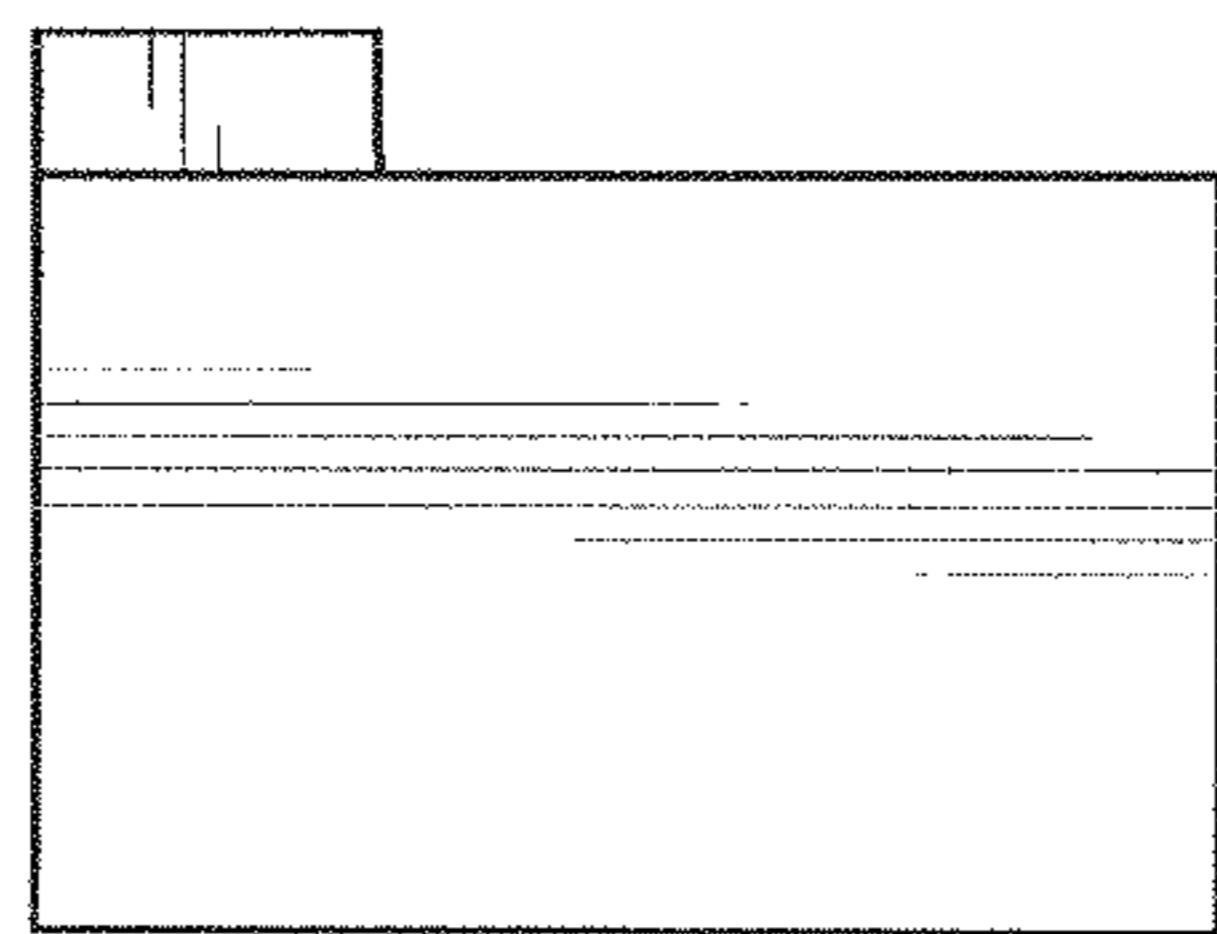
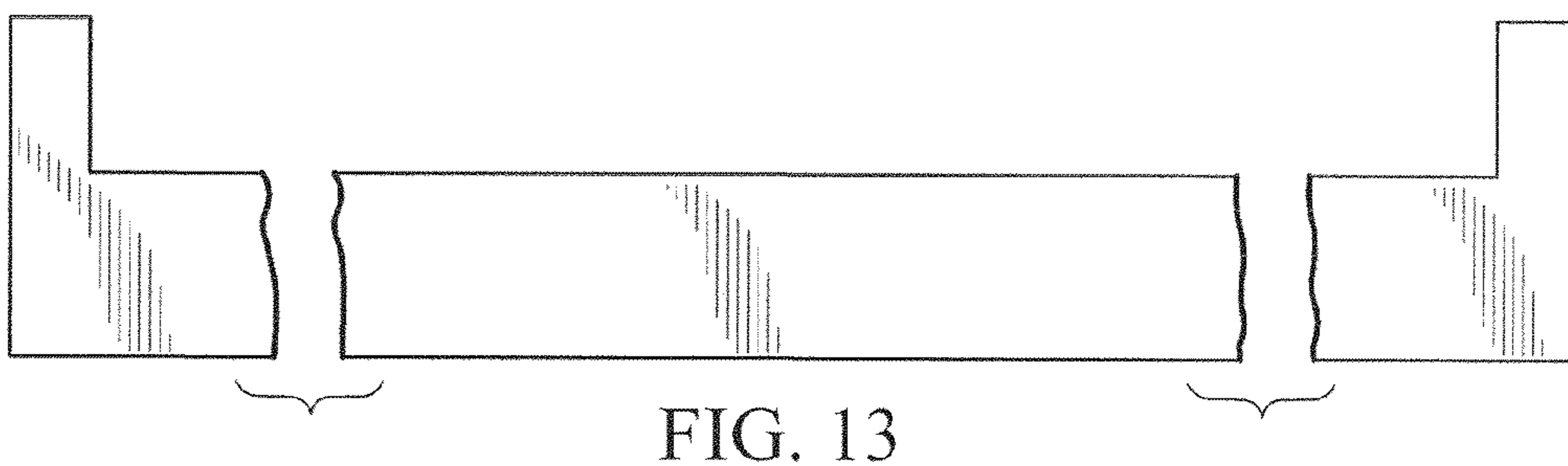
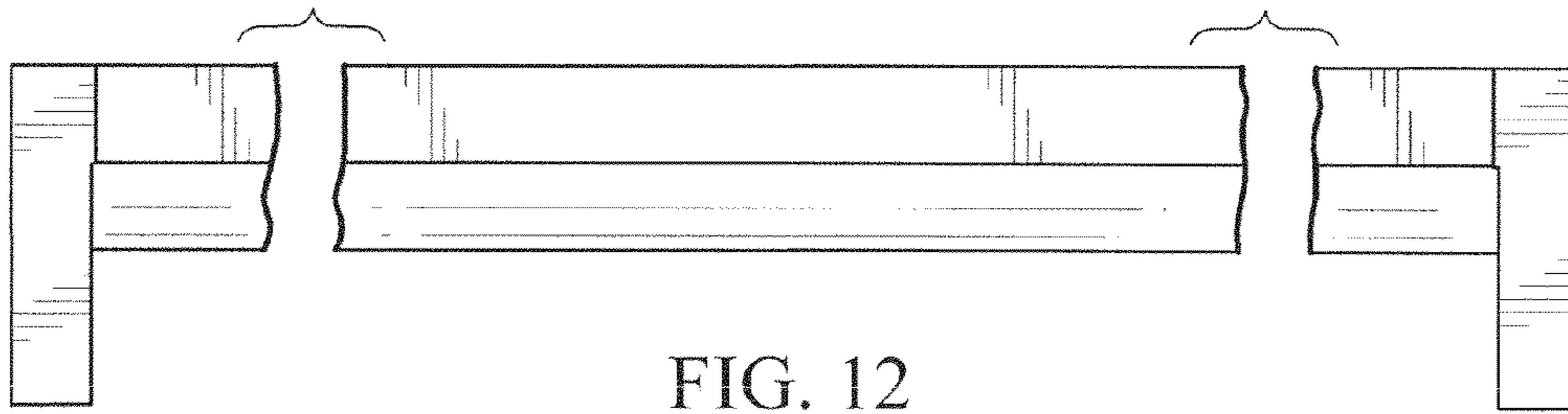


FIG. 11



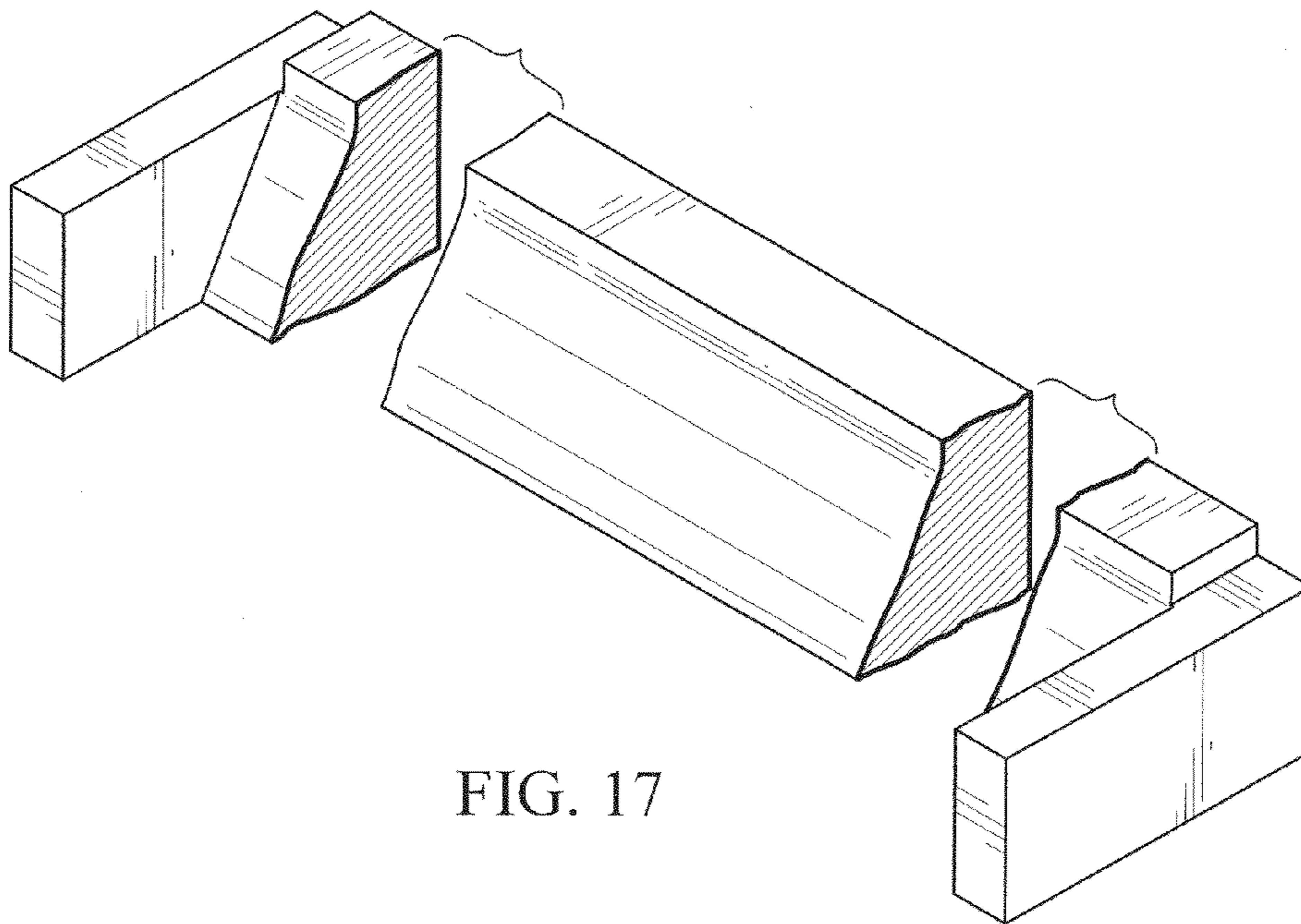


FIG. 17

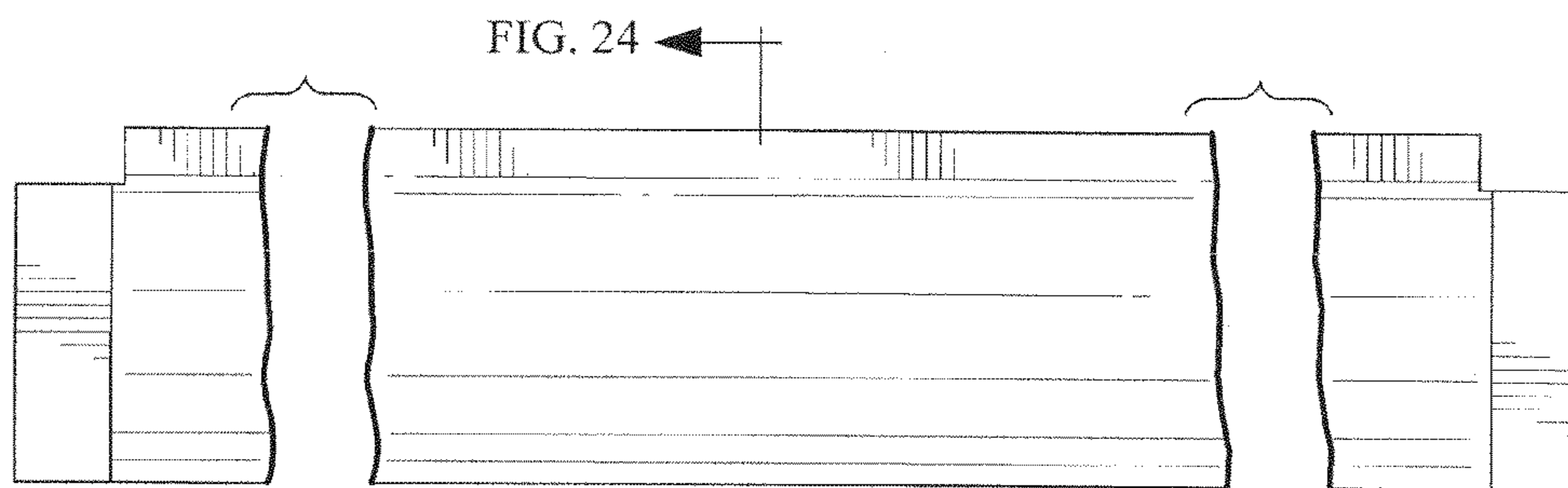


FIG. 24

FIG. 24

FIG. 18

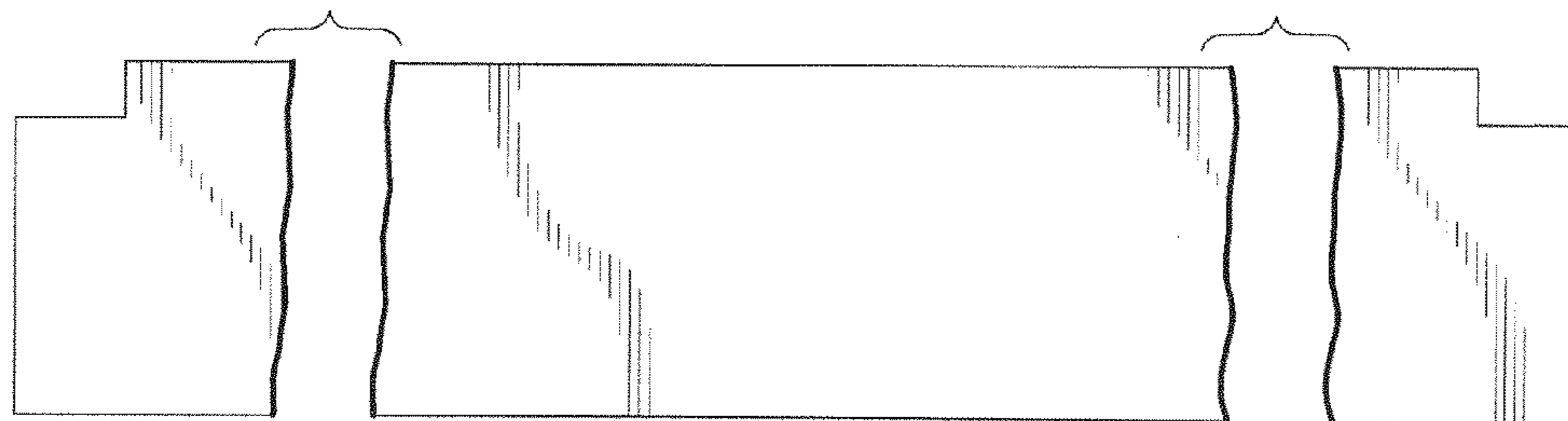


FIG. 19

