



US00D729409S

(12) **United States Design Patent**
Friedli

(10) **Patent No.:** **US D729,409 S**

(45) **Date of Patent:** **** May 12, 2015**

(54) **ACCESS GATE**

(56) **References Cited**

(75) **Inventor:** **Tobias Friedli**, Baden (CH)

U.S. PATENT DOCUMENTS

(73) **Assignee:** **Inventio AG**, Hergiswil NW (CH)

D212,289	S	*	9/1968	Rakocy	D25/48.6
D234,431	S	*	3/1975	McGehee et al.	D25/48.6
D261,433	S	*	10/1981	Sugano	D25/48.5
D261,434	S	*	10/1981	Sugano	D25/48.5
D275,796	S	*	10/1984	Nishida	D25/48.5
D275,797	S	*	10/1984	Nishida	D25/48.6
D284,511	S	*	7/1986	Smith	D25/48.6
D284,512	S	*	7/1986	Smith	D25/48.6
D284,705	S	*	7/1986	Smith	D25/48.6
D286,717	S	*	11/1986	Yosimoto	D6/505
D288,874	S	*	3/1987	Yosimoto	D6/382
D375,304	S	*	11/1996	Takahata et al.	D14/435
5,765,795	A	*	6/1998	Alex	248/346.01
D411,626	S	*	6/1999	Hoyle	D25/58
D509,219	S	*	9/2005	Avery	D14/435
D530,343	S	*	10/2006	Maruyama et al.	D14/496
D539,355	S	*	3/2007	Fujita	D21/332
D598,013	S	*	8/2009	Ju et al.	D14/240

(**) **Term:** **14 Years**

(21) **Appl. No.:** **29/426,404**

(22) **Filed:** **Jul. 5, 2012**

(30) **Foreign Application Priority Data**

Feb. 29, 2012 (CH) 138734

(51) **LOC (10) Cl.** **25-02**

(52) **U.S. Cl.**
USPC **D25/48.6**

(58) **Field of Classification Search**
USPC 2/DIG. 6; 5/417, 419-420, 465, 5/632-634; 108/43; 248/118, 118.1, 248/118.3, 118.5, 205.2, 346, 346.01, 248/346.07, 346.1, 438, 633, 918; 273/338, 273/438, DIG. 30; 297/218.1, 228.12, 352, 297/377, 440.1, 440.11, 440.15, 452.1, 297/452.16; 312/208.1-208.4, 223.2, 322; 340/710, 5.7; 345/163, 173; 360/69, 360/97.02; 361/679.33-679.45; 400/412, 400/713-715; 428/137-138, 140, 304.4, 428/457; 442/9; D3/273; D6/201, 204, D6/429-431, 449, 474, 509-510, 393; D9/432; D10/65, 75, 78; D13/103, D13/119, 162, 184, 199; D14/110, 114, D14/125, 240, 242, 299-302, 314, 348-370, D14/496, 383, 385, 435-438; D18/1, 7, 9, D18/11; D25/48.6, 48.5, 58, 35, 38.1; 49/31, 46, 47; 235/382

See application file for complete search history.

(Continued)

Primary Examiner — Deanna L Pratt

(74) *Attorney, Agent, or Firm* — Stroock & Stroock & Lavan LLP

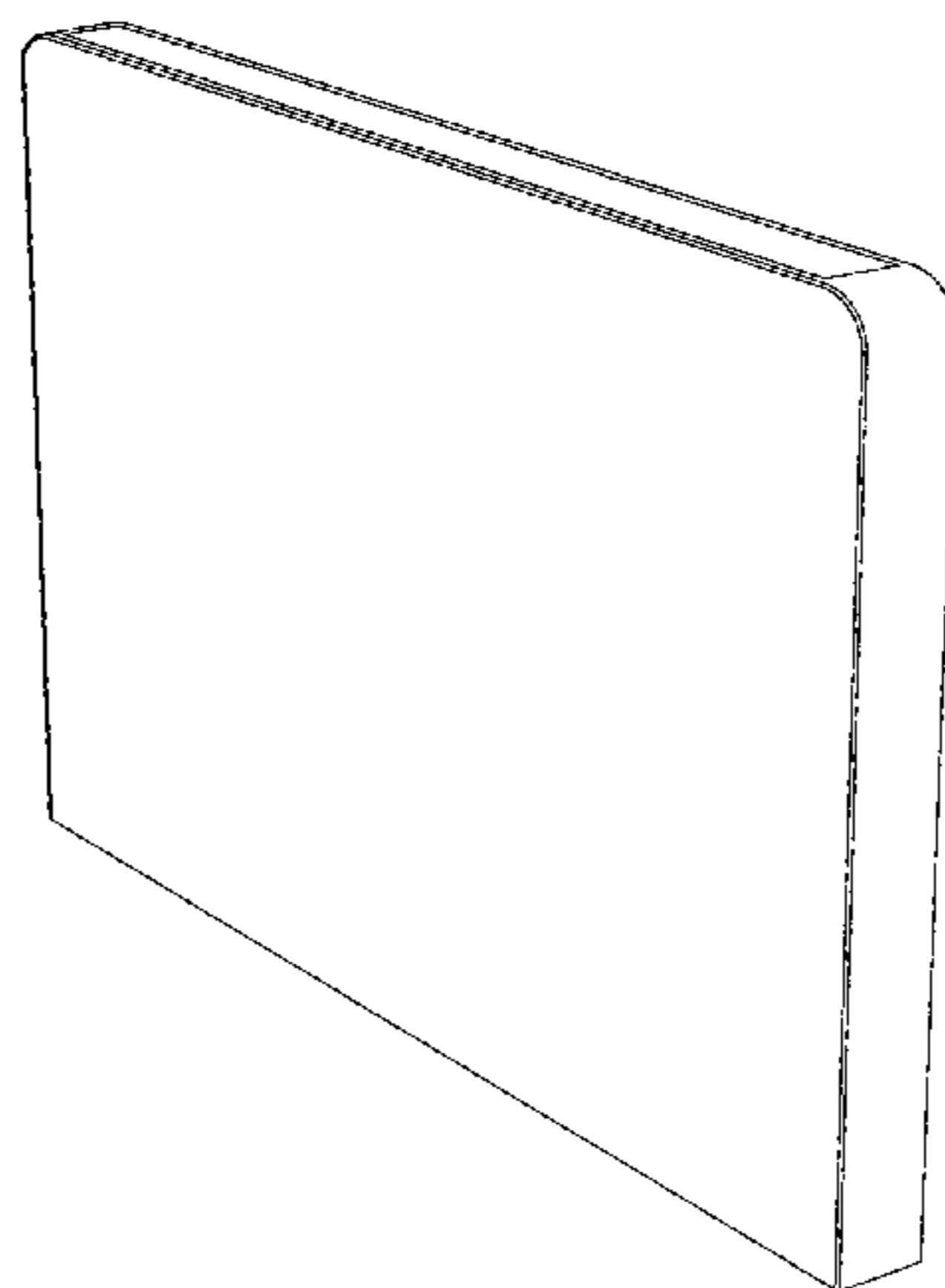
(57) **CLAIM**

The ornamental design for an access gate, as shown and described.

DESCRIPTION

FIG. 1 is an isometric view showing the front, top, and one side of the claimed design;
FIG. 2 is a front elevation view of the claimed design, the rear elevation view being a mirror image of the front elevation view;
FIG. 3 is a top elevation view of the claimed design;
FIG. 4 is a right-side elevation view of the claimed design, the left-side elevation view being a mirror image of the right-side elevation view; and,
FIG. 5 is a bottom elevation view of the claimed design.

1 Claim, 2 Drawing Sheets



US D729,409 S

Page 2

(56)

References Cited

U.S. PATENT DOCUMENTS

D612,952 S * 3/2010 Balastik D25/48.6
7,697,229 B2 * 4/2010 Kientz et al. 360/69
D620,953 S * 8/2010 Andre et al. D14/496

D621,397 S * 8/2010 Andre et al. D14/314
D659,146 S * 5/2012 Koh et al. D14/436
D689,485 S * 9/2013 Chong et al. D14/366
D689,860 S * 9/2013 Chong et al. D14/368
2006/0037818 A1 * 2/2006 Deplazes et al. 187/392

* cited by examiner

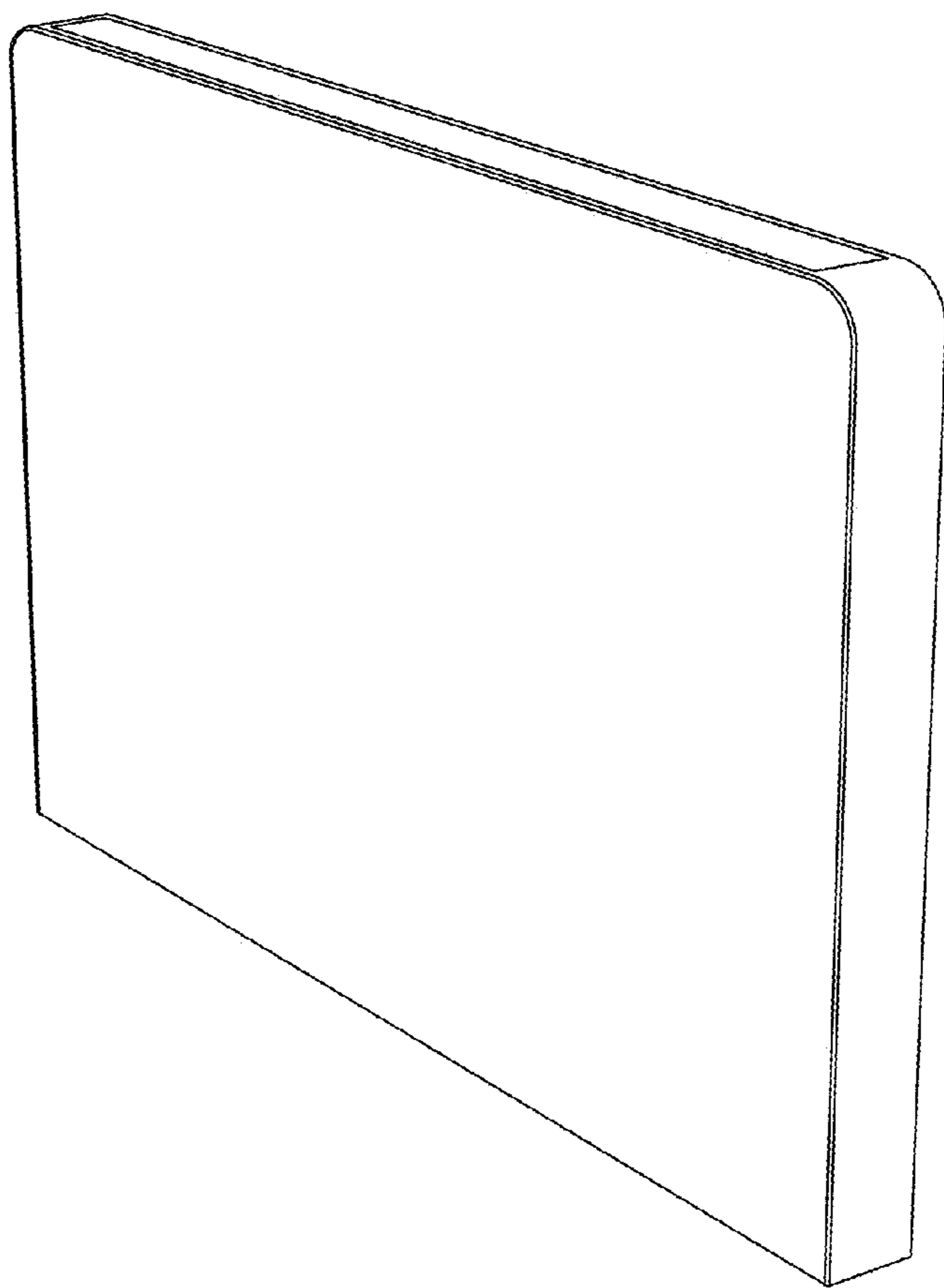


Fig. 1



Fig. 3

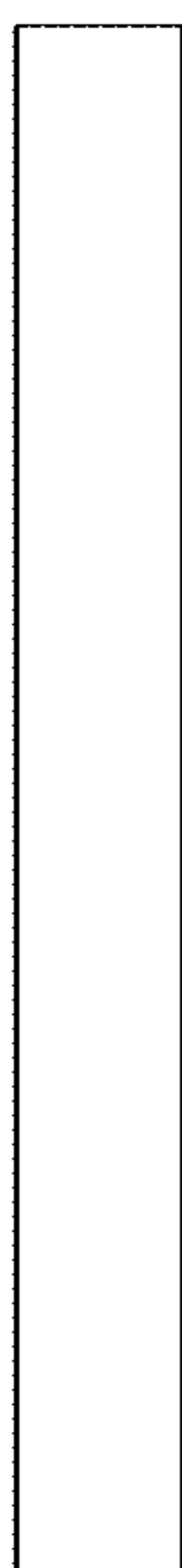


Fig. 4



Fig. 2

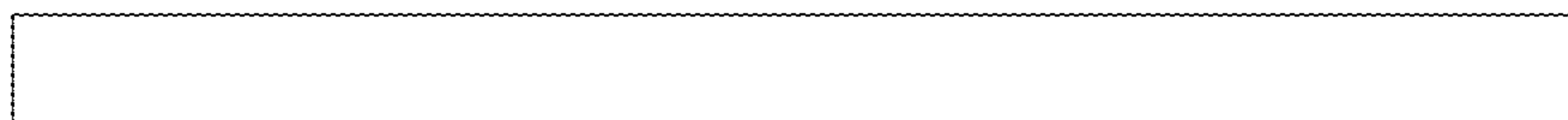


Fig. 5