



US00D729407S

(12) **United States Design Patent**
Abramowitch et al.

(10) **Patent No.:** **US D729,407 S**
(45) **Date of Patent:** **** May 12, 2015**

(54) **INFLATABLE HABITATION**
(71) Applicants: **David Ralf Abramowitch**, Braeside (AU); **Richard Adam Smullen**, New York, NY (US); **Michael LeMoyné Beneville**, New York, NY (US); **Christopher Michael Carnabuci**, Cold Spring, NY (US)

4,848,046 A * 7/1989 Wallhead 52/81.4
5,341,610 A * 8/1994 Moss 52/82
6,708,451 B1 3/2004 Games
D598,568 S * 8/2009 Pihlblad D25/33
7,878,877 B2 2/2011 Scherba
2009/0217598 A1 9/2009 Schlereth

(72) Inventors: **David Ralf Abramowitch**, Braeside (AU); **Richard Adam Smullen**, New York, NY (US); **Michael LeMoyné Beneville**, New York, NY (US); **Christopher Michael Carnabuci**, Cold Spring, NY (US)

FOREIGN PATENT DOCUMENTS

CN 2171081 Y 7/1994
WO WO9015208 A1 12/1990

* cited by examiner

Primary Examiner — Eric Goodman
Assistant Examiner — Amy Wierenga
(74) *Attorney, Agent, or Firm* — Ash Tankha; Lipton, Weinberger & Husick

(73) Assignee: **HardCoreHabitat, LLC**, New York, NY (US)

(57) **CLAIM**

The ornamental design for an inflatable habitation, as shown and described.

(**) Term: **14 Years**

(21) Appl. No.: **29/490,235**

DESCRIPTION

(22) Filed: **May 8, 2014**

(51) **LOC (10) Cl.** **25-03**

(52) **U.S. Cl.**
USPC **D25/18; D25/48.4**

(58) **Field of Classification Search**
USPC D25/1-33, 35, 36; 52/79.4, 79.8, 80.1, 52/80.2, 81.1, 82, 245, 246
See application file for complete search history.

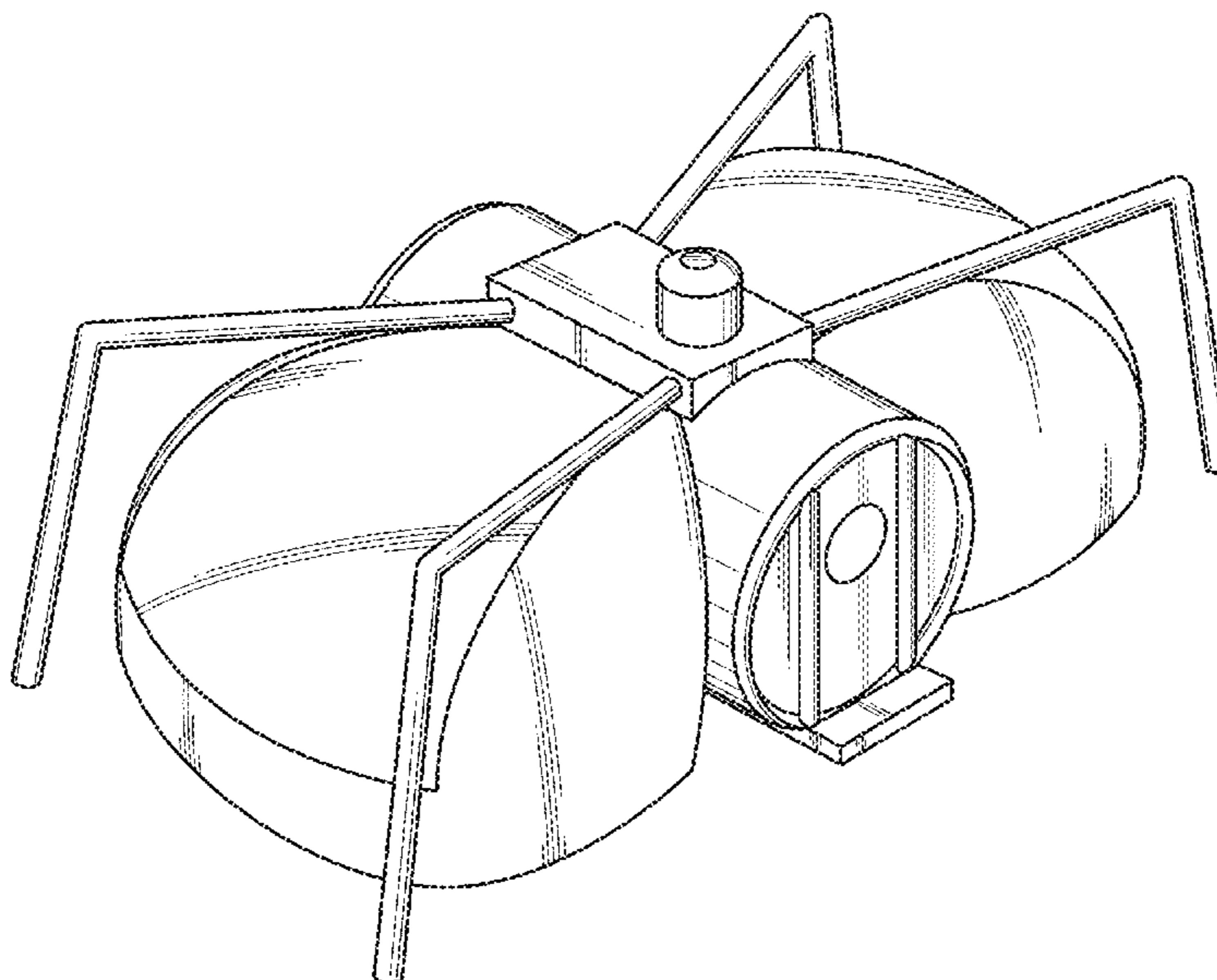
FIG. 1 is an isometric view of an ornamental design for an inflatable habitation;
FIG. 2 is a front elevation view thereof;
FIG. 3 is a rear elevation view thereof;
FIG. 4 is a top plan view thereof;
FIG. 5 is a bottom view thereof;
FIG. 6 is a right side elevation view thereof; and,
FIG. 7 is a left side elevation view thereof.
The broken line showing of a ground surface in FIGS. 2-3 and FIGS. 6-7 is for the purpose of illustrating environment and forms no part of the claimed design.

(56) **References Cited**

U.S. PATENT DOCUMENTS

D133,658 S * 9/1942 Neff D25/17
4,332,112 A 6/1982 Hsu

1 Claim, 7 Drawing Sheets



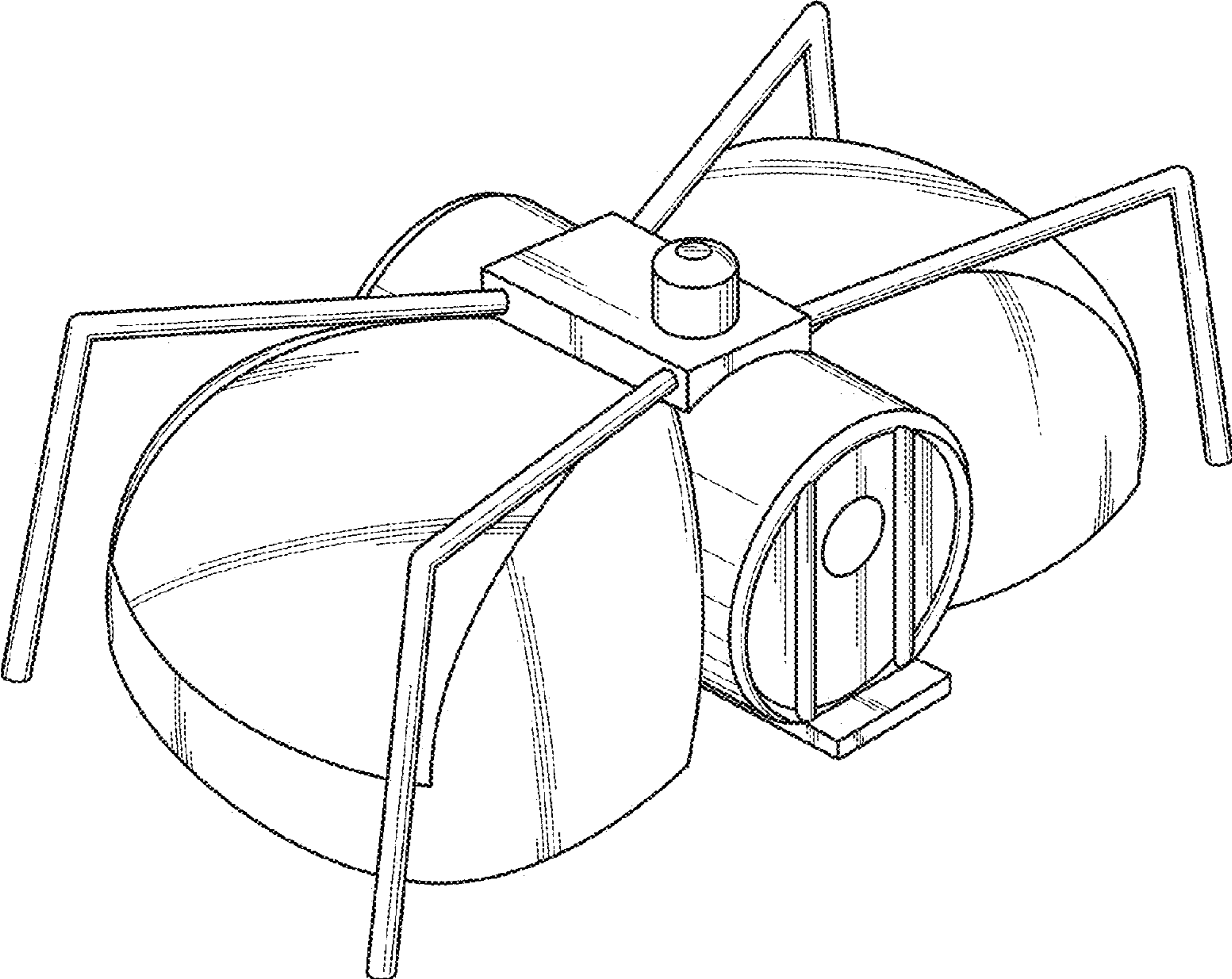


FIG. 1

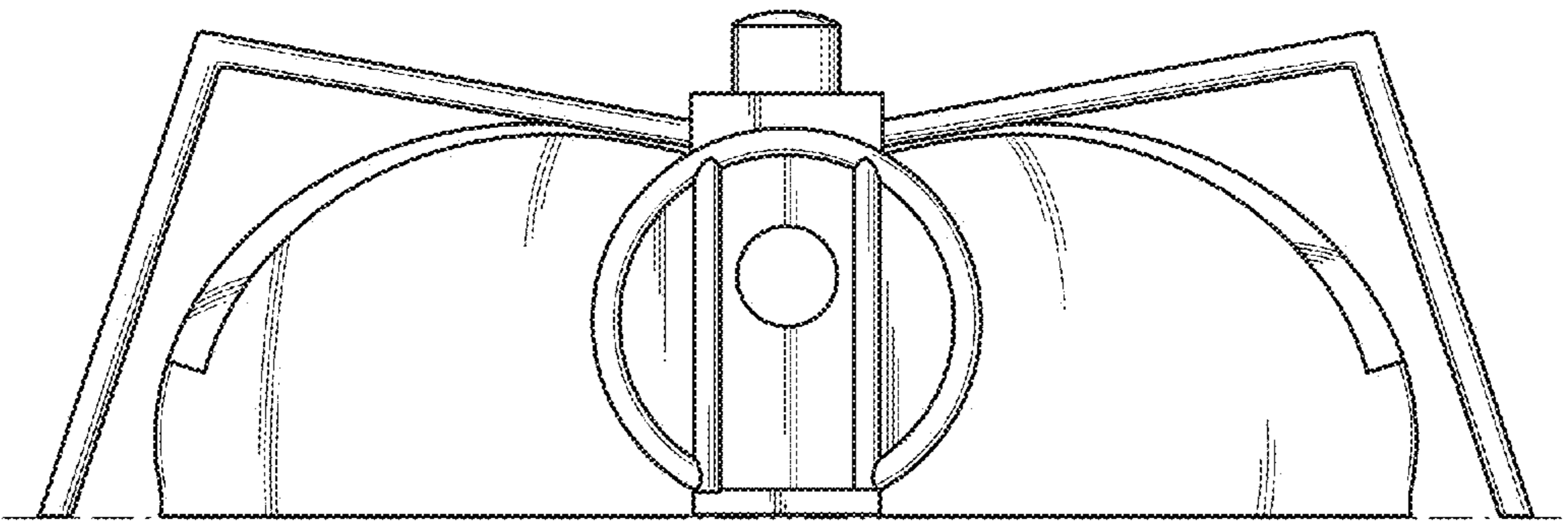


FIG. 2

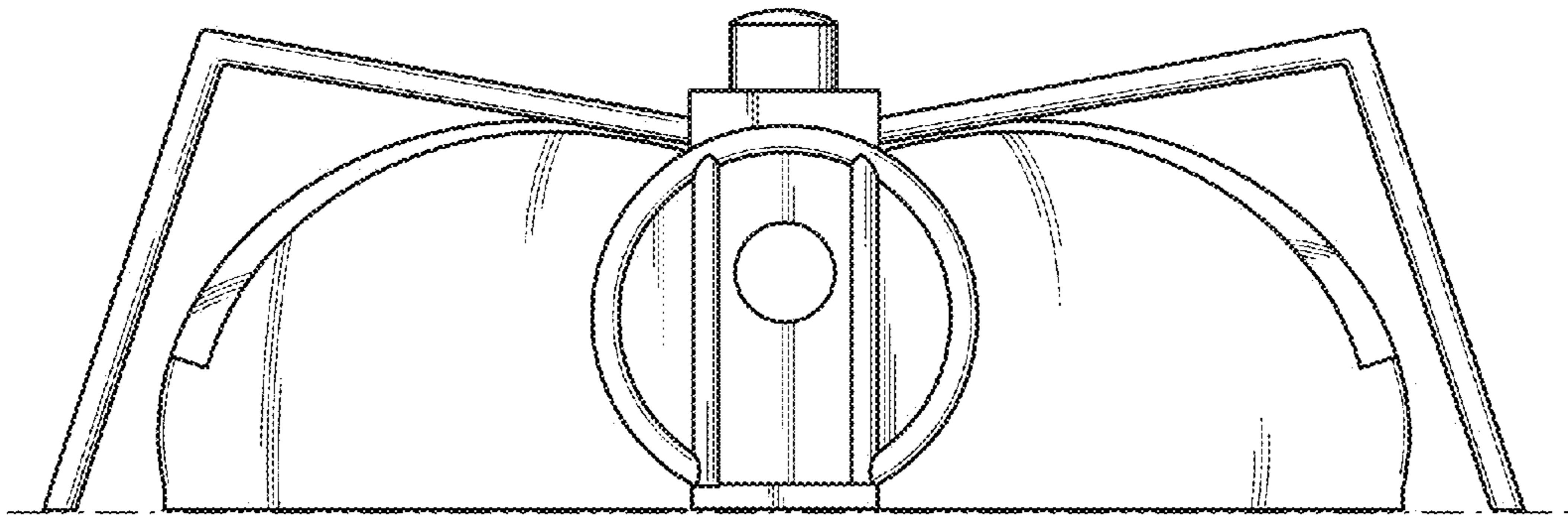


FIG. 3

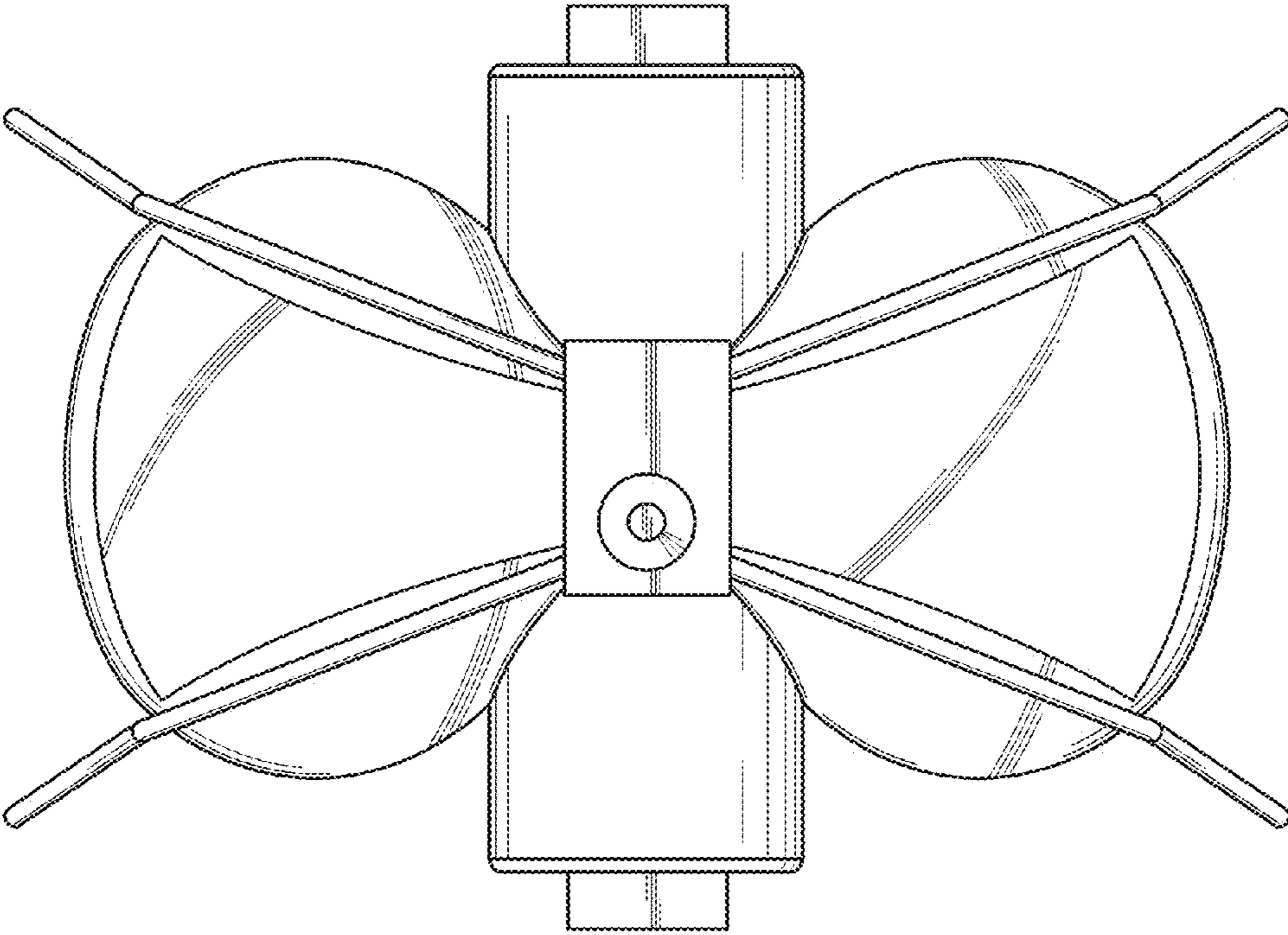


FIG. 4

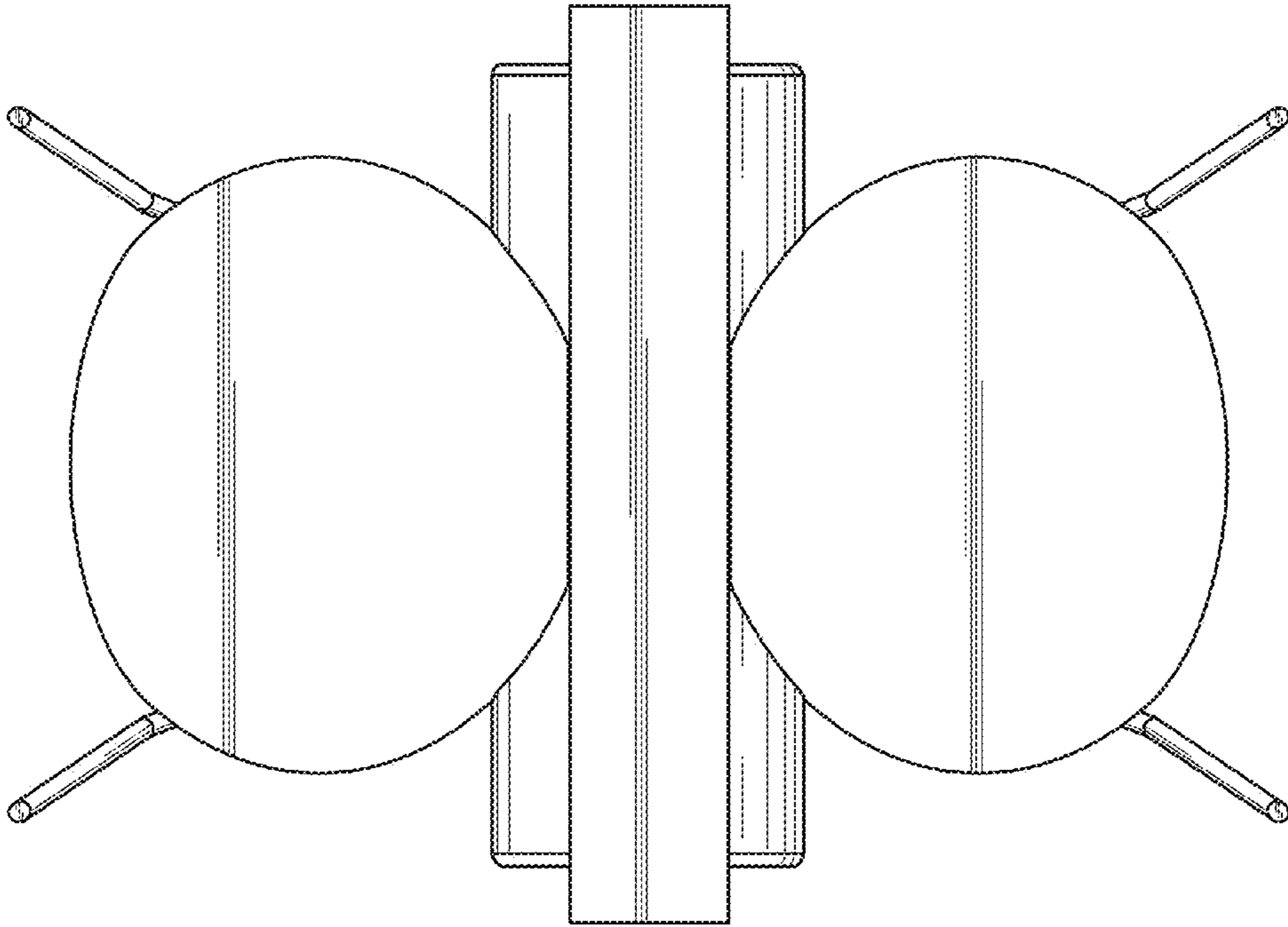


FIG. 5

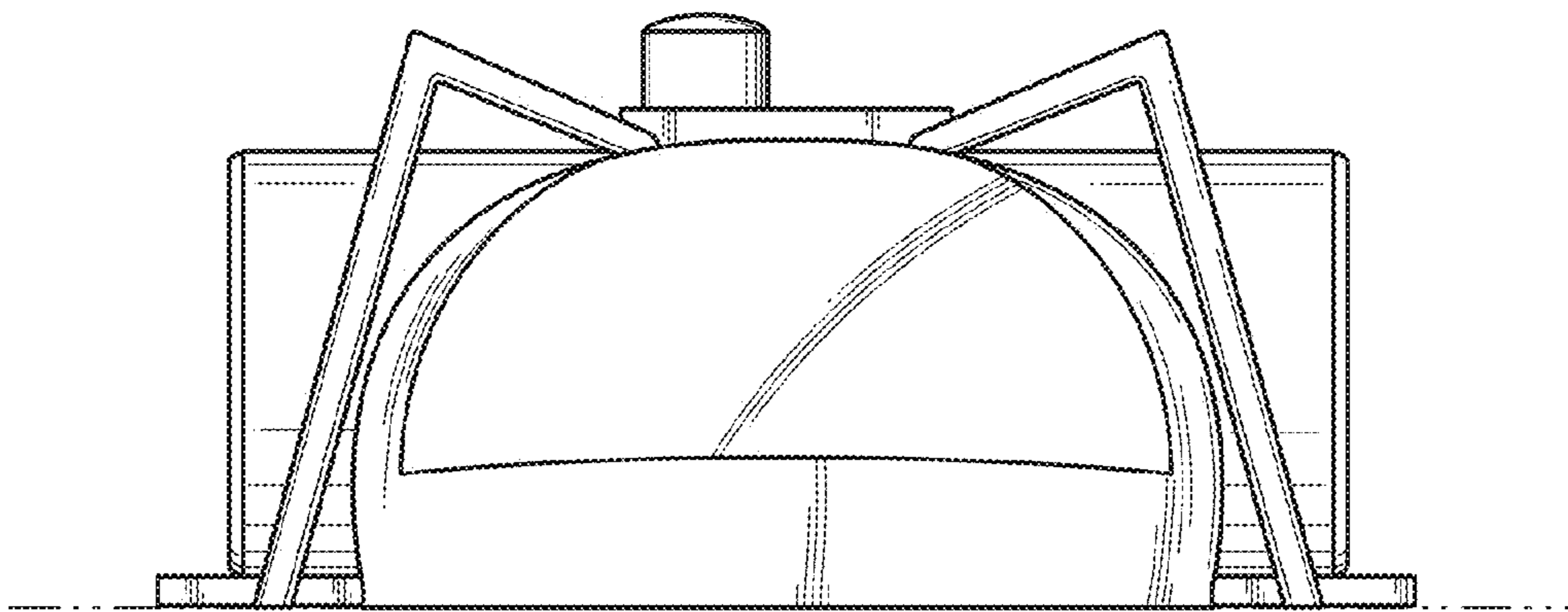


FIG. 6

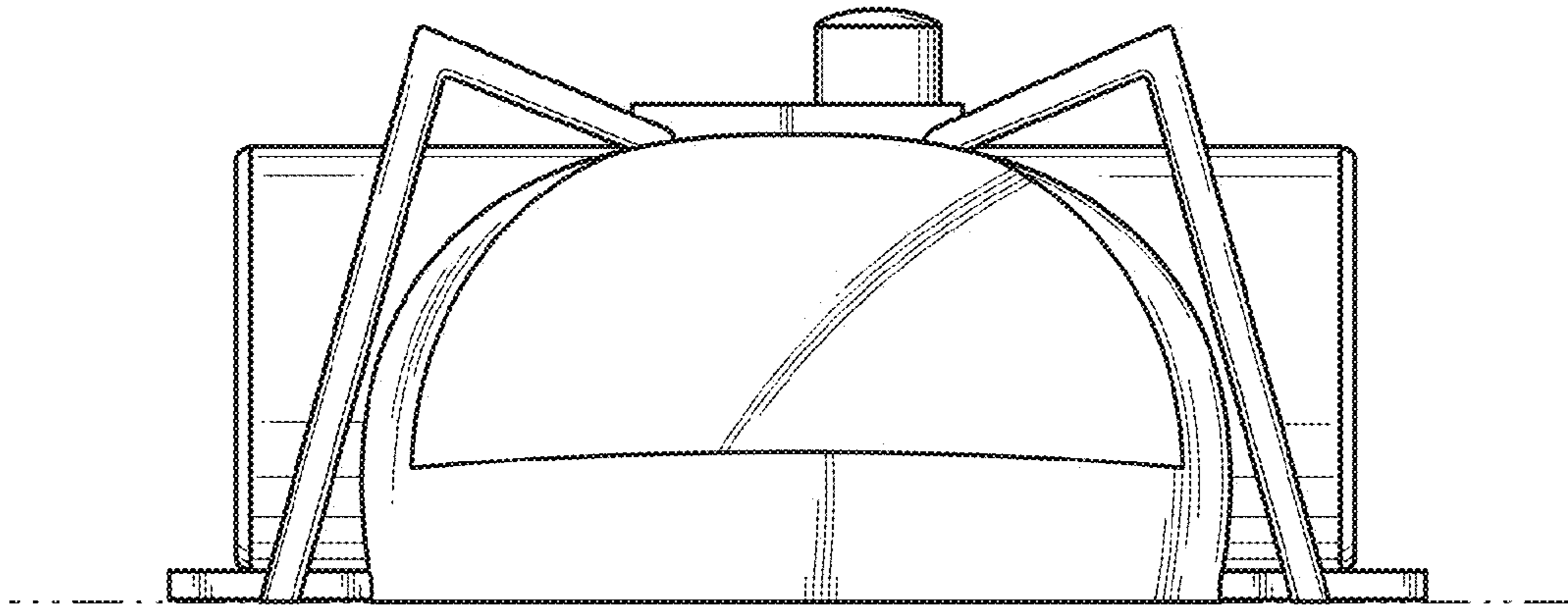


FIG. 7