



US00D729405S

(12) **United States Design Patent**
Ramstad et al.

(10) **Patent No.:** **US D729,405 S**

(45) **Date of Patent:** **** May 12, 2015**

(54) **SEQUENCING INSTRUMENT**

(71) Applicant: **Illumina, Inc.**, San Diego, CA (US)
(72) Inventors: **Paul O. Ramstad**, San Diego, CA (US);
Richard L. Lemoine, San Diego, CA (US);
Lea Kobeli, San Francisco, CA (US);
Scott Janis, San Francisco, CA (US);
Stuart Kyle, San Francisco, CA (US);
Jeff Servaites, San Francisco, CA (US)

(73) Assignee: **Illumina, Inc.**, San Diego, CA (US)

(**) Term: **14 Years**

(21) Appl. No.: **29/476,458**

(22) Filed: **Dec. 13, 2013**

(51) **LOC (10) Cl.** **24-01**

(52) **U.S. Cl.**
USPC **D24/233**

(58) **Field of Classification Search**
USPC D24/231–233, 216–217, 107, 186;
D10/81; 435/6.1; 436/43; 422/50, 62,
422/63, 67, 68.1, 83, 500
See application file for complete search history.

(56) **References Cited**

U.S. PATENT DOCUMENTS

D338,419 S * 8/1993 Frenkel et al. D10/81
D378,782 S * 4/1997 LaBarbera et al. D24/232
D381,756 S * 7/1997 Ohnuma et al. D24/232

D474,279 S * 5/2003 Mayer et al. D24/232
6,689,318 B1 * 2/2004 Spork et al. 422/63
D523,153 S * 6/2006 Akashi et al. D24/232
D537,951 S * 3/2007 Okamoto et al. D24/233
D702,852 S * 4/2014 Podhasky et al. D24/216
2013/0034466 A1 * 2/2013 Wakamiya et al. 422/63

* cited by examiner

Primary Examiner — Wan Laymon

(74) *Attorney, Agent, or Firm* — Knobbe Martens Olson & Bear LLP

(57) **CLAIM**

The ornamental design for a sequencing instrument, as shown and described.

DESCRIPTION

FIG. 1 is a perspective view of a sequencing instrument in accordance with the present invention.

FIG. 2 is a front view of the sequencing instrument of FIG. 1.

FIG. 3 is a rear view of the sequencing instrument of FIG. 1.

FIG. 4 is a left side view of the sequencing instrument of FIG. 1.

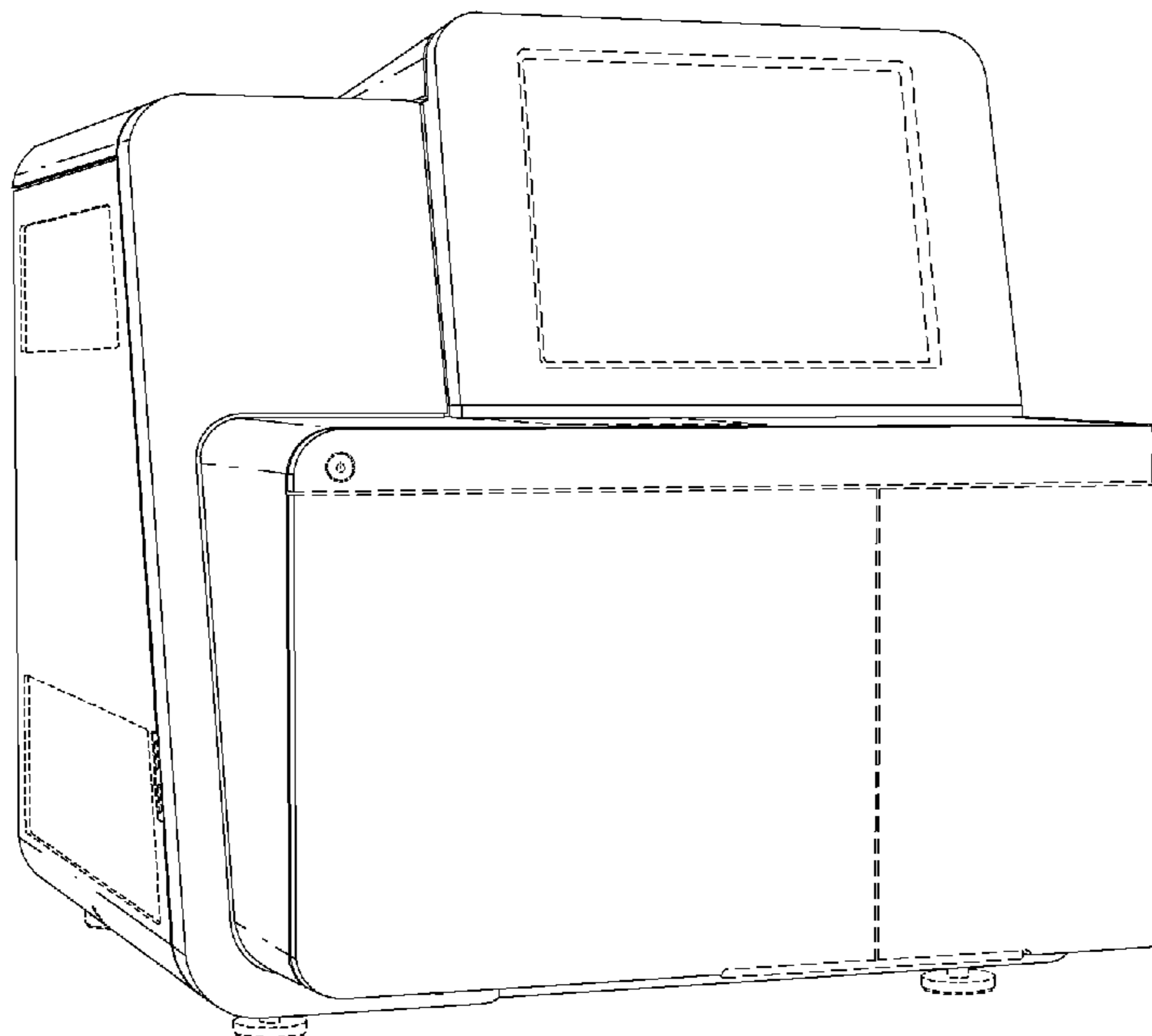
FIG. 5 is a right side view of the sequencing instrument of FIG. 1.

FIG. 6 is a top view of the sequencing instrument of FIG. 1; and,

FIG. 7 is a bottom view of the sequencing instrument of FIG. 1.

The broken lines shown in the figures represent portions of the sequencing instrument that form no part of the claimed design.

1 Claim, 7 Drawing Sheets



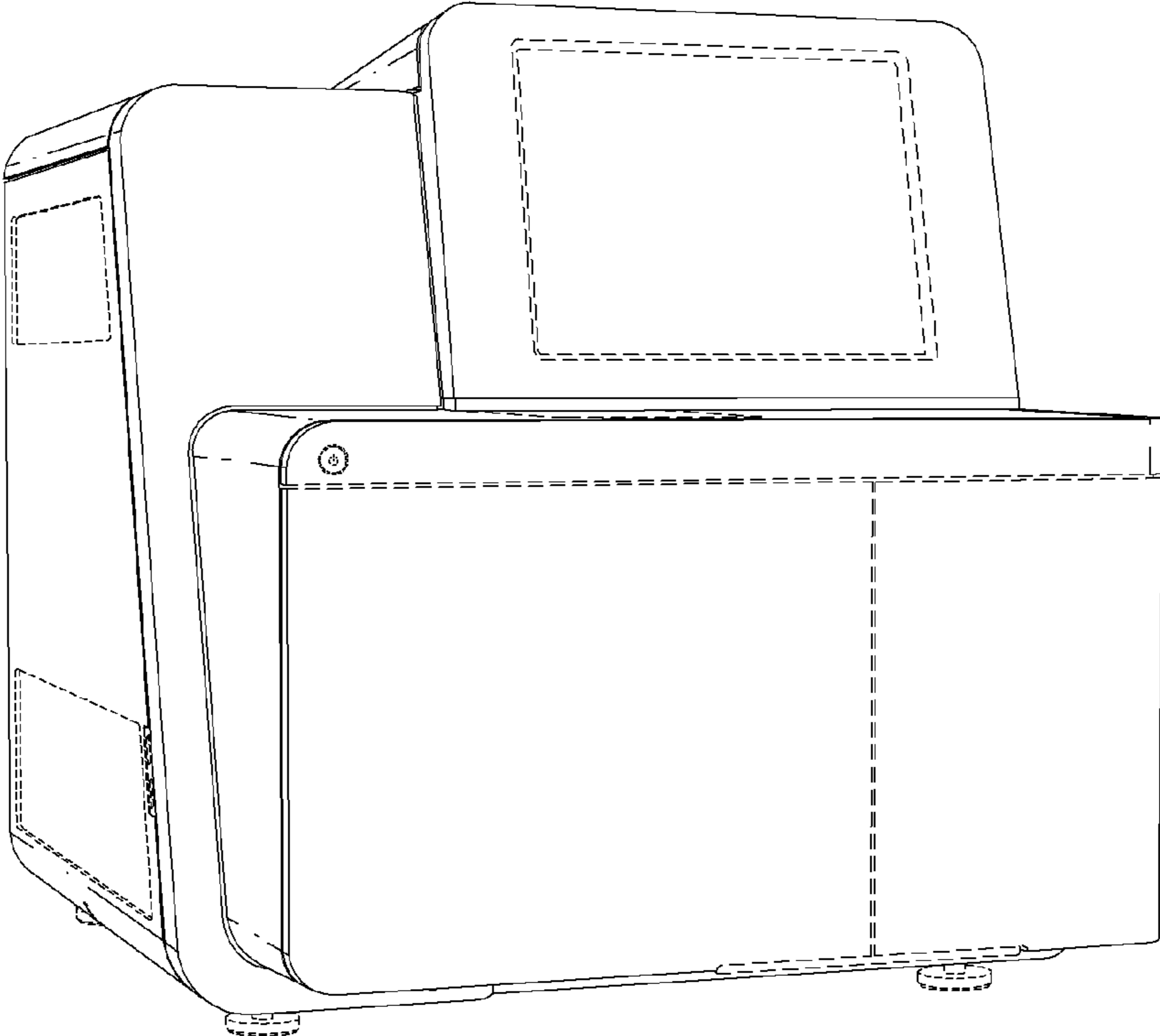


FIG. 1

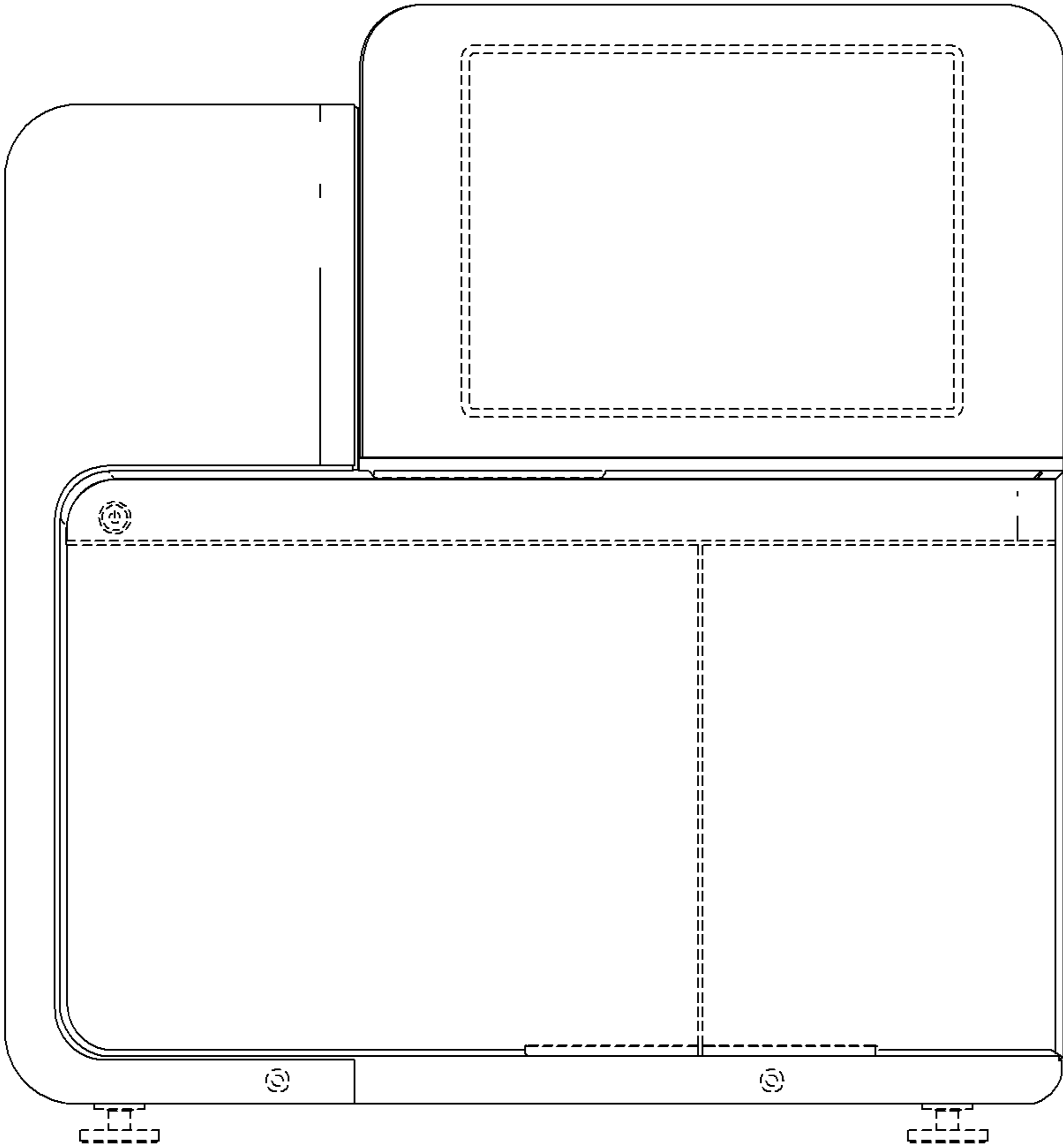


FIG. 2

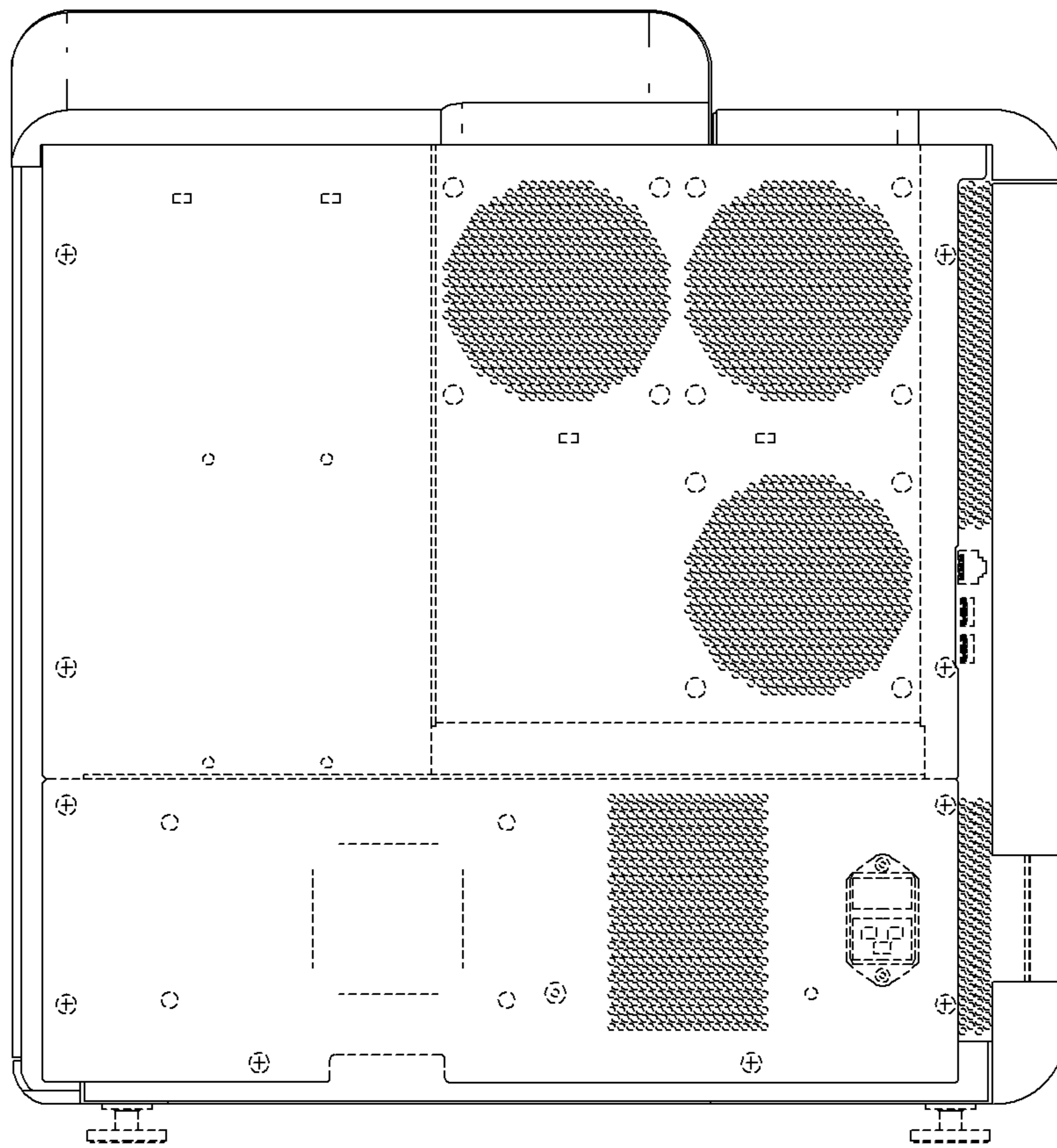


FIG. 3

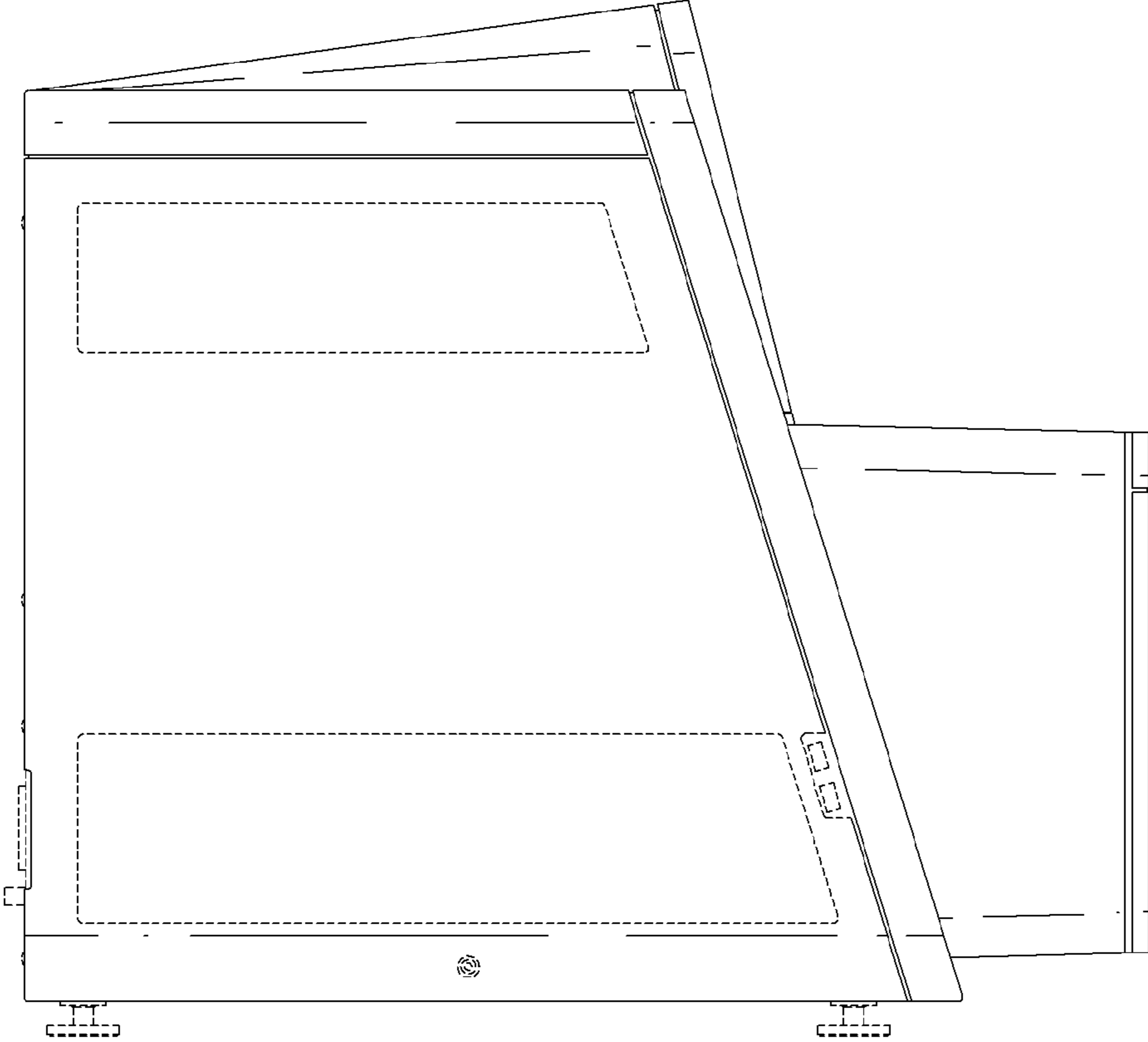


FIG. 4

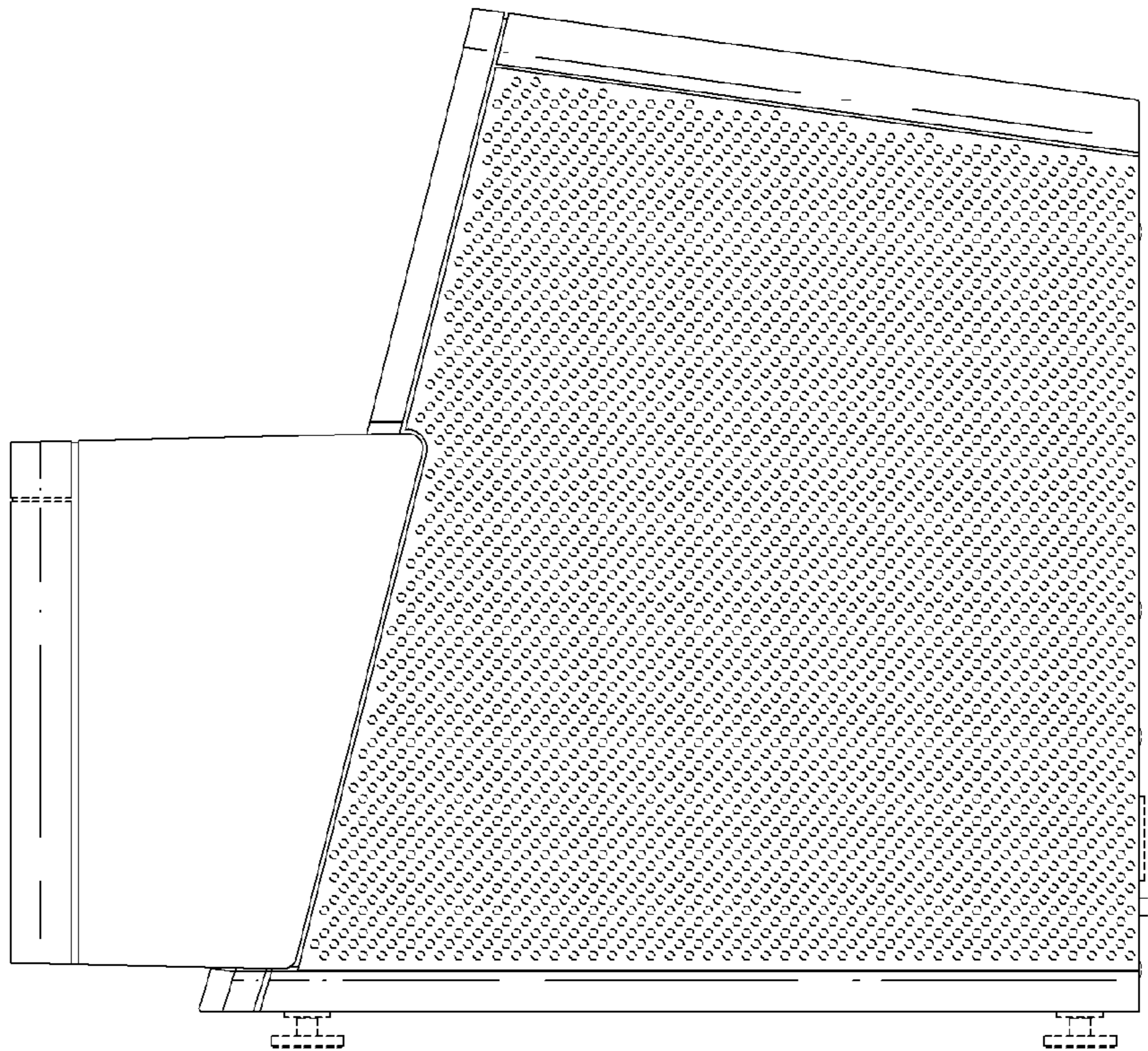


FIG. 5

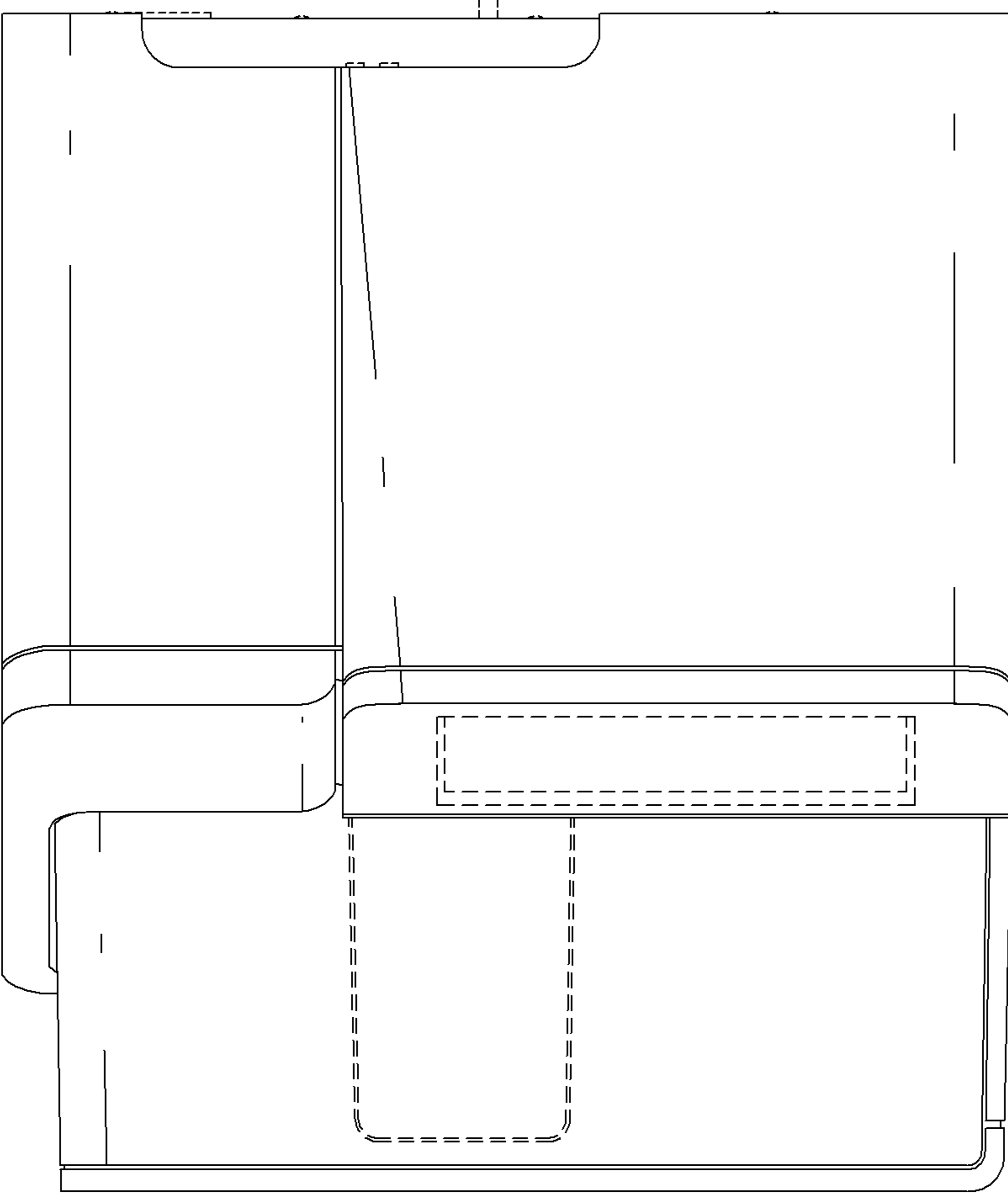


FIG. 6

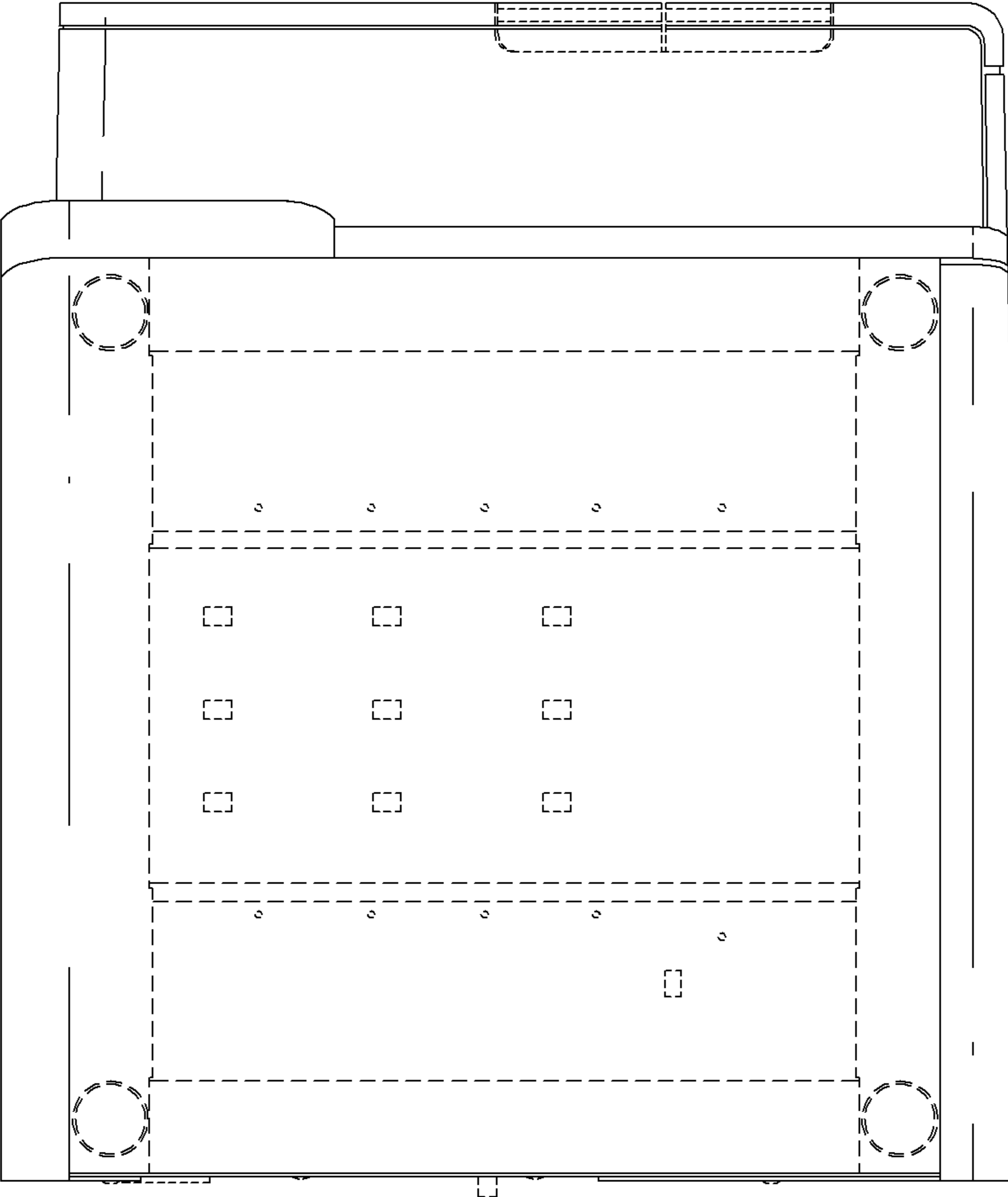


FIG. 7