



US00D729404S

(12) **United States Design Patent**
Teich et al.

(10) **Patent No.:** **US D729,404 S**

(45) **Date of Patent:** **** May 12, 2015**

(54) **CARRIER**

(71) Applicant: **Seahorse Bioscience**, Billerica, MA (US)

(72) Inventors: **Jay S. Teich**, Berlin, MA (US); **Paul McGarr**, Longmeadow, MA (US)

(73) Assignee: **Seahorse Bioscience**, Billerica, MA (US)

(**) Term: **14 Years**

(21) Appl. No.: **29/492,695**

(22) Filed: **Jun. 2, 2014**

(51) **LOC (10) Cl.** **24-02**

(52) **U.S. Cl.**
USPC **D24/230**

(58) **Field of Classification Search**
USPC D24/216, 223-230; 422/63-67, 422/99-104, 266, 297, 300; 211/74, 71.01, 211/85.13; 206/443, 557-564; D3/294, 295
See application file for complete search history.

(56) **References Cited**

U.S. PATENT DOCUMENTS

D268,130 S *	3/1983	Easton	D24/230
D280,131 S *	8/1985	Takasugi	D24/229
D280,663 S *	9/1985	Albon et al.	D24/226
D285,118 S *	8/1986	Huang	D24/226
D300,245 S *	3/1989	Navarro et al.	D24/229
D328,135 S *	7/1992	Fan et al.	D24/223
D335,348 S *	5/1993	Frenkel et al.	D24/224
D339,869 S *	9/1993	Schea et al.	D24/224
D351,661 S *	10/1994	Fischer	D24/230
D359,125 S *	6/1995	Livingston	D24/223

D404,831 S *	1/1999	Yamazaki et al.	D24/224
D421,498 S *	3/2000	Livingston	D24/224
D423,679 S *	4/2000	Jenkins et al.	D24/227
D428,657 S *	7/2000	Ward	D24/229
D461,554 S *	8/2002	Lafond et al.	D24/230
D466,219 S *	11/2002	Wynschenk et al.	D24/227
D467,080 S *	12/2002	Zimmerman	D3/311
D486,580 S *	2/2004	Abdel-Model	D24/229
D565,742 S *	4/2008	Parunak et al.	D24/224
D566,291 S *	4/2008	Parunak et al.	D24/224
D613,418 S *	4/2010	Ryan et al.	D24/229
D617,468 S *	6/2010	Marquardt et al.	D24/225
D619,257 S *	7/2010	Meschenmoser et al.	...	D24/172
D628,305 S *	11/2010	Gorrec et al.	D24/229
D686,749 S *	7/2013	Trump	D24/230
D694,906 S *	12/2013	Priebe et al.	D24/229
D694,908 S *	12/2013	Okihara	D24/230
D696,419 S *	12/2013	Fusellier et al.	D24/230

* cited by examiner

Primary Examiner — T. Chase Nelson

Assistant Examiner — Mark Cavanna

(74) *Attorney, Agent, or Firm* — Goodwin Procter LLP

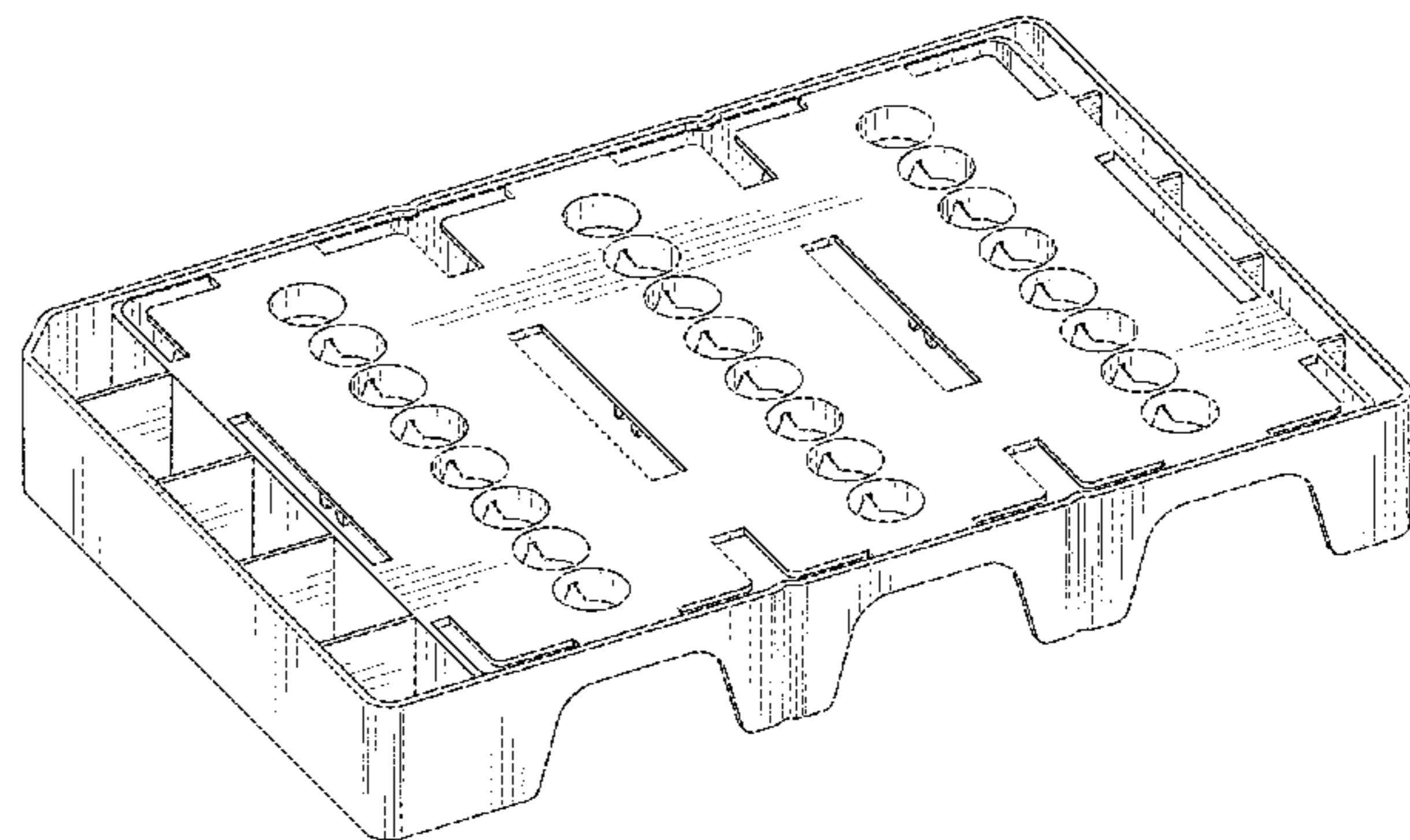
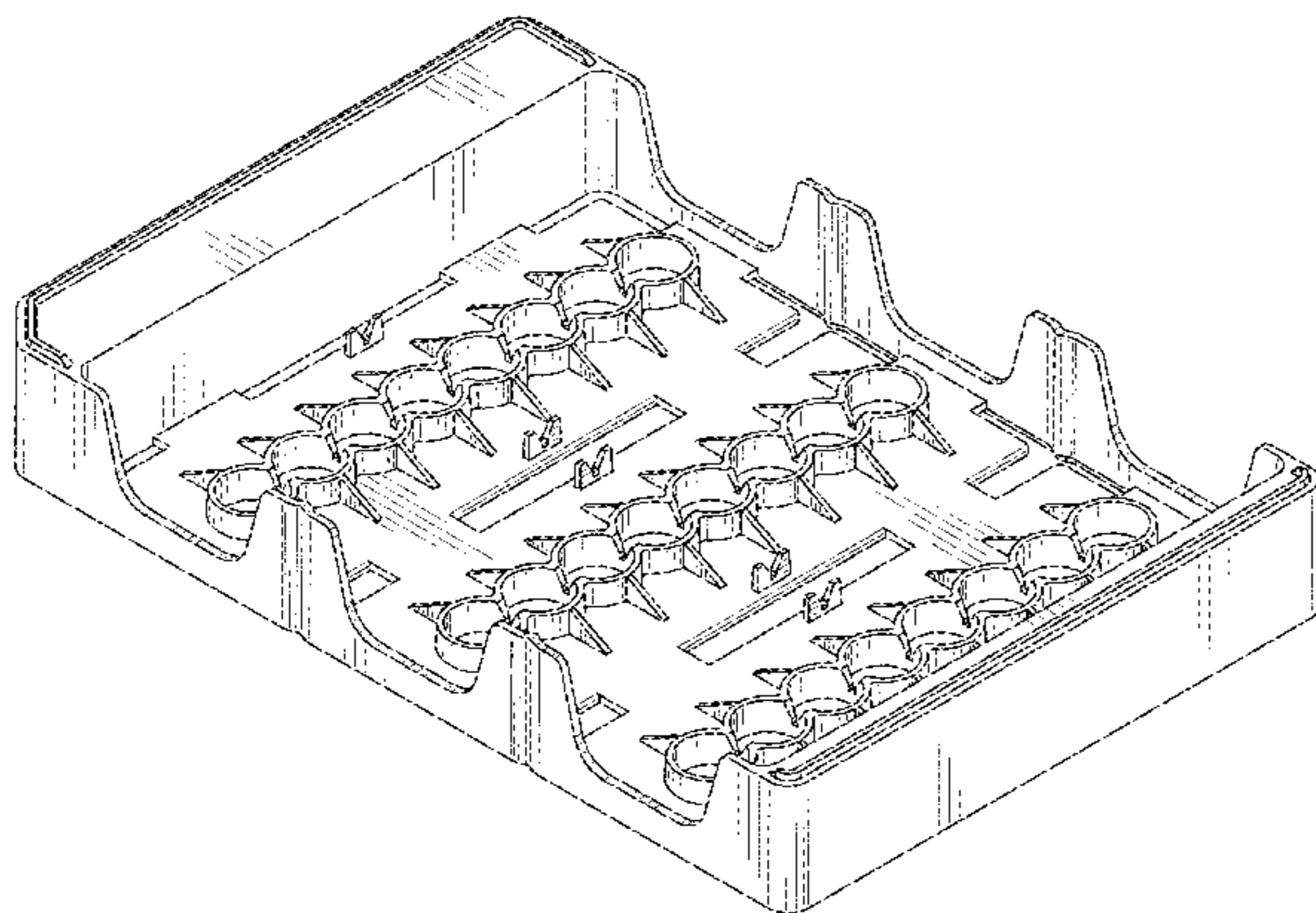
(57) **CLAIM**

The ornamental design for a carrier, as shown and described.

DESCRIPTION

FIG. 1 is a top, front perspective view of a carrier;
FIG. 2 is a front view of the carrier;
FIG. 3 is a rear view of the carrier;
FIG. 4 is a right side view of the carrier;
FIG. 5 is a left side view of the carrier;
FIG. 6 is a top view of the carrier;
FIG. 7 is a bottom view of the carrier; and,
FIG. 8 is a bottom, front perspective view of the carrier.

1 Claim, 6 Drawing Sheets



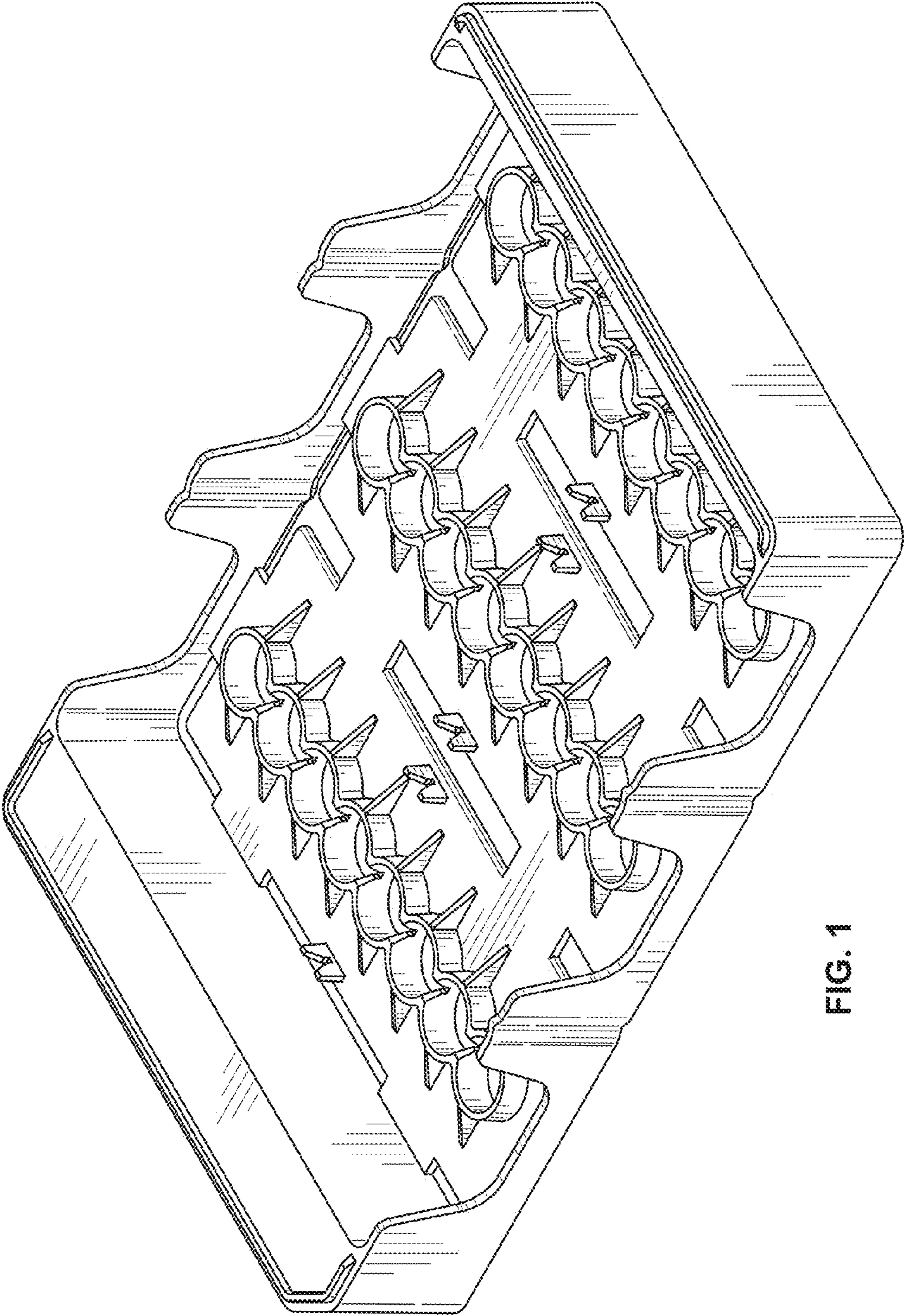


FIG. 1

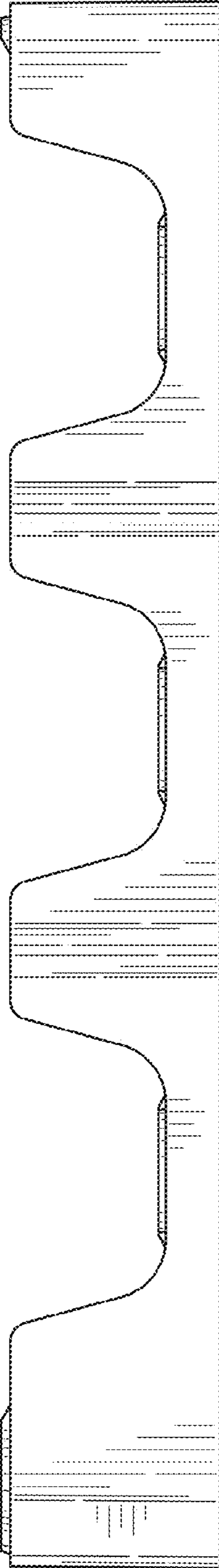


FIG. 2

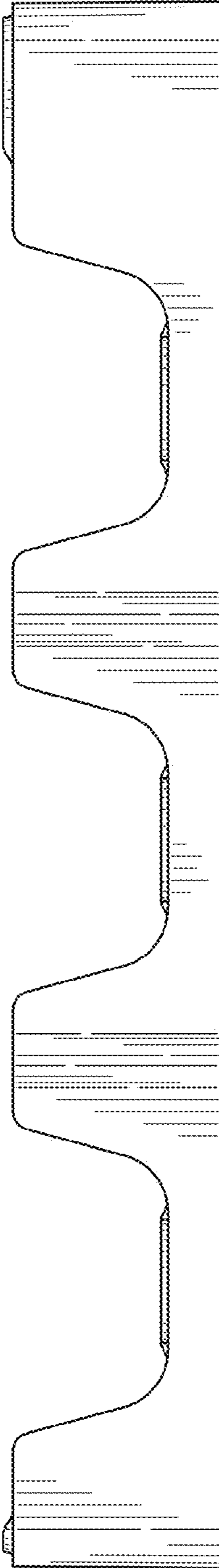


FIG. 3

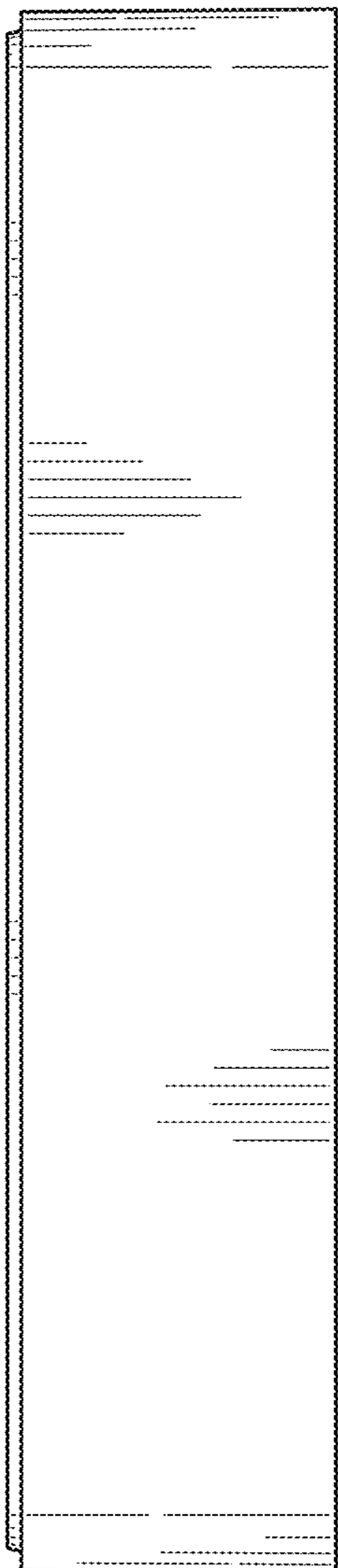


FIG. 4

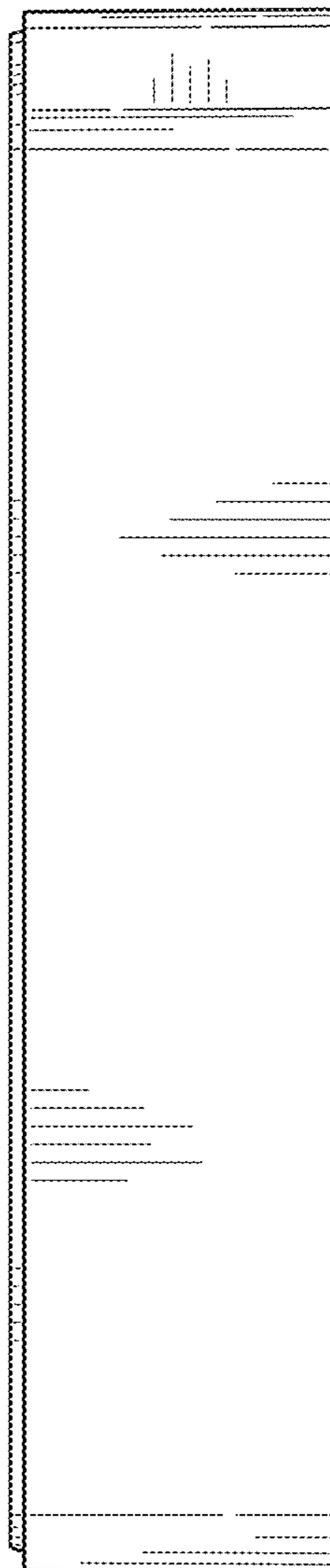


FIG. 5

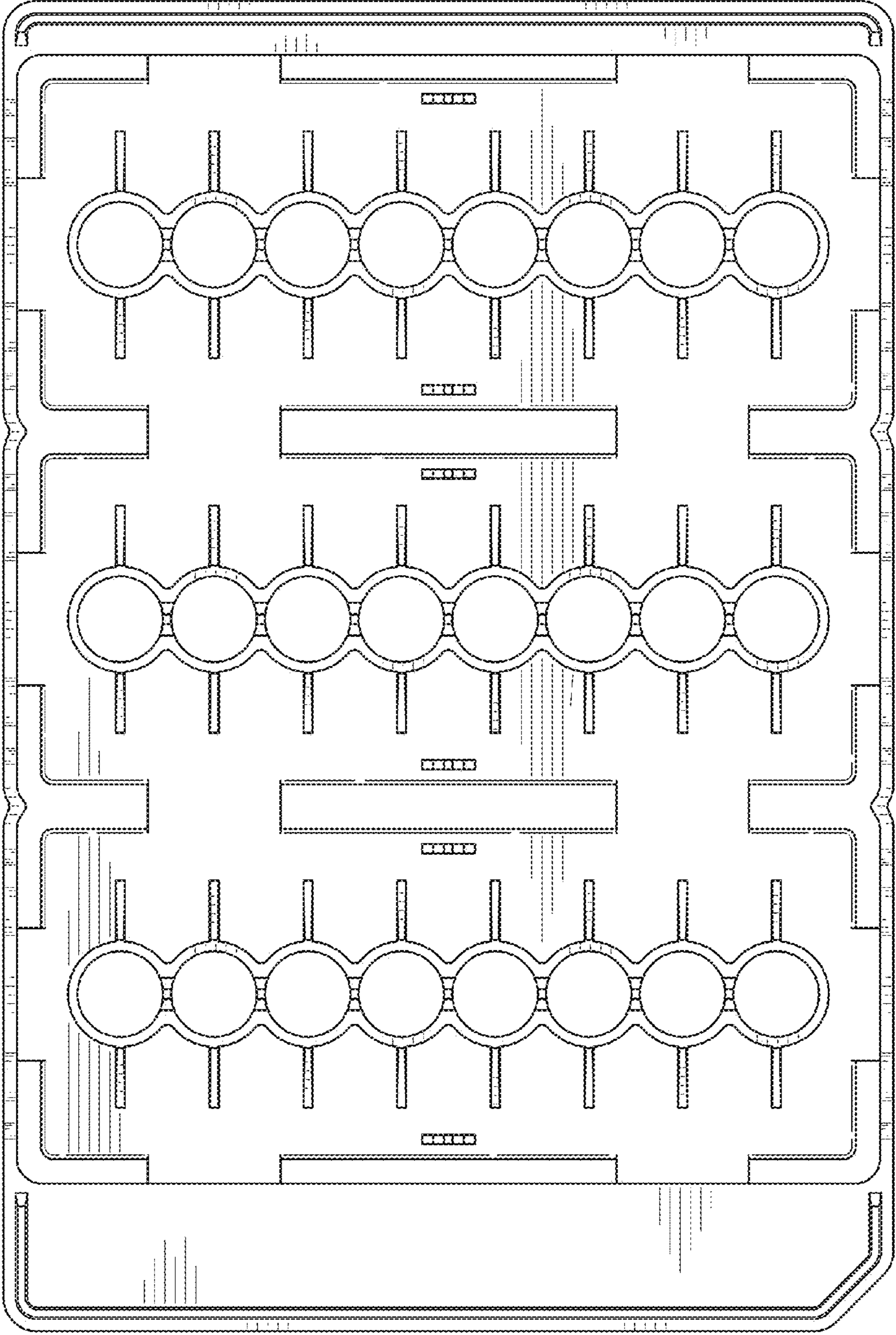


FIG. 6

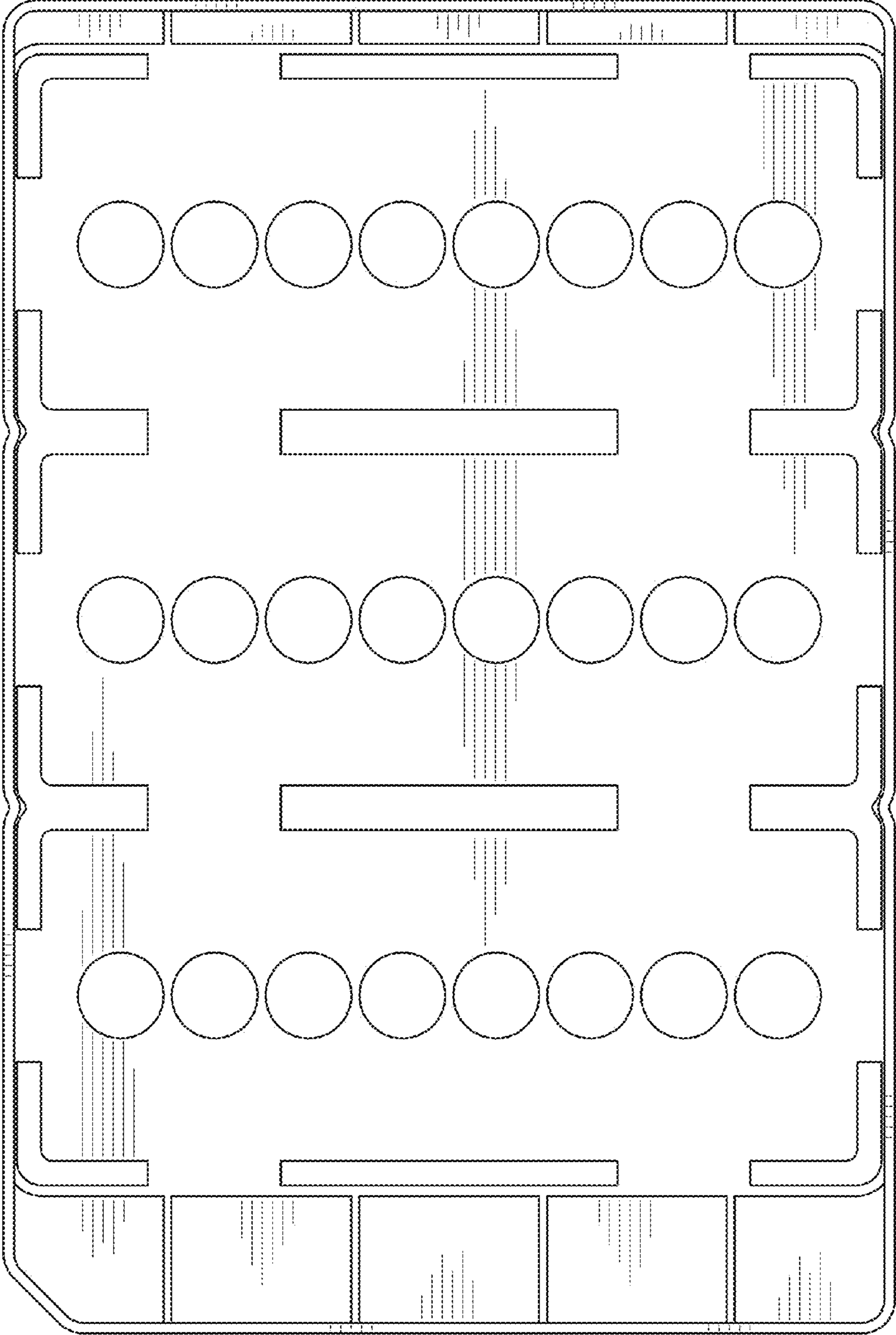


FIG. 7

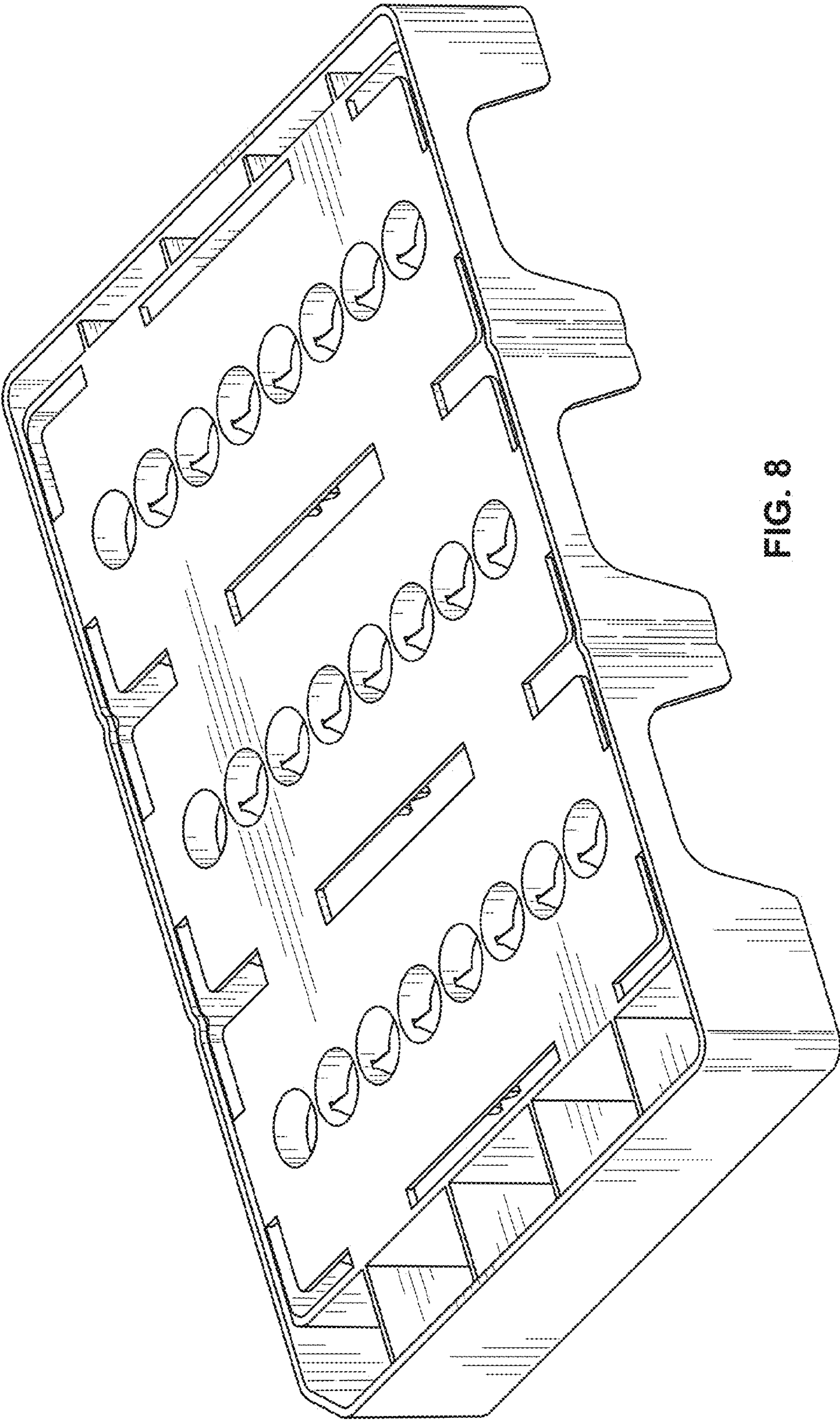


FIG. 8