



US00D729403S

(12) **United States Design Patent**
Hage et al.

(10) **Patent No.:** **US D729,403 S**

(45) **Date of Patent:** **** May 12, 2015**

- (54) **COLLECTION PLATE**
- (71) Applicant: **Illumina, Inc.**, San Diego, CA (US)
- (72) Inventors: **Matthew Hage**, San Diego, CA (US);
Kenneth M. Kuhn, San Diego, CA (US);
Brad Drews, San Diego, CA (US);
Keith Wyshak, San Diego, CA (US);
Tim Blauwkamp, San Diego, CA (US)
- (73) Assignee: **Illumina, Inc.**, San Diego, CA (US)

D441,090 S *	4/2001	Broyles	D24/221
D596,311 S *	7/2009	Antons	D24/227
D608,015 S *	1/2010	Sandel	D24/227
D608,456 S *	1/2010	Sandel	D24/227
D618,821 S *	6/2010	Larsen	D24/227
D638,137 S *	5/2011	Gross et al.	D24/227
D646,796 S *	10/2011	Walter	D24/227
D650,912 S *	12/2011	Tomes et al.	D24/227
D662,218 S *	6/2012	Pittman	D24/227
D676,146 S *	2/2013	Austria	D24/227
D676,573 S *	2/2013	Austria	D24/227
D694,904 S *	12/2013	Banes et al.	D24/224
D706,447 S *	6/2014	Brossette et al.	D24/227

(**) Term: **14 Years**

* cited by examiner

(21) Appl. No.: **29/481,117**

Primary Examiner — T. Chase Nelson

Assistant Examiner — Mark Cavanna

(22) Filed: **Jan. 31, 2014**

(74) *Attorney, Agent, or Firm* — Knobbe Martens Olson & Bear, LLP

(51) **LOC (10) Cl.** **24-02**

(52) **U.S. Cl.**
USPC **D24/227**

(57) **CLAIM**

The ornamental design for a collection plate, as shown and described.

(58) **Field of Classification Search**
USPC D24/123, 176-177, 216, 223-232;
422/99, 102, 104, 297, 300, 28;
206/363, 370, 557; D3/304, 307, 308,
D3/314, 315; D7/500, 602, 543-587, 354,
D7/409, 359-361; D6/406.1, 406.2, 406.3;
220/574; D9/425

DESCRIPTION

FIG. 1 is a perspective view of a collection plate in accordance with the present invention.
FIG. 2 is a top view of the collection plate of FIG. 1.
FIG. 3 is a bottom view of the collection plate of FIG. 1.
FIG. 4 is a front view of the collection plate of FIG. 1.
FIG. 5 is a back view of the collection plate of FIG. 1.
FIG. 6 is a left end view of the collection plate of FIG. 1.
FIG. 7 is a right end view of the collection plate of FIG. 1.
FIG. 8 is an exploded view of the collection plate of FIG. 1 in combination with a sample plate; and,
FIG. 9 is a perspective view of the collection plate of FIG. 1 in combination with a sample plate.
Broken lines are used to illustrate features which form no part of the claimed design.

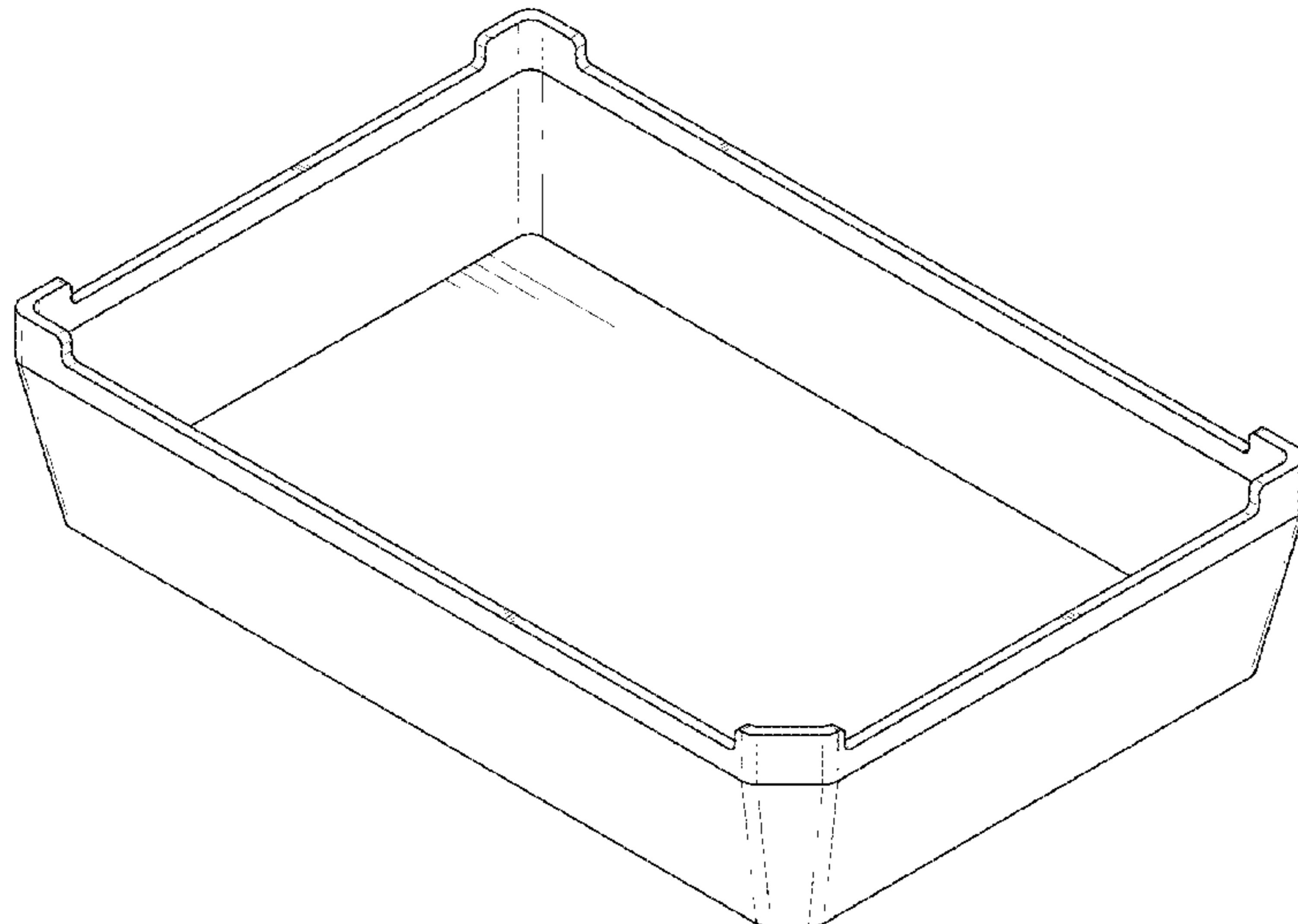
See application file for complete search history.

(56) **References Cited**

U.S. PATENT DOCUMENTS

D243,259 S *	2/1977	Martin et al.	D24/224
D259,057 S *	4/1981	Lancellotti et al.	D24/217
D275,886 S *	10/1984	Sheward et al.	D24/227
D304,369 S *	10/1989	Challberg et al.	D24/224
D334,973 S *	4/1993	Valentine et al.	D24/227
D337,830 S *	7/1993	Coyne et al.	D24/229
D352,516 S *	11/1994	Newman et al.	D7/554.3
D387,177 S *	12/1997	Davis	D24/227
D411,308 S *	6/1999	Pandey et al.	D24/230

1 Claim, 7 Drawing Sheets



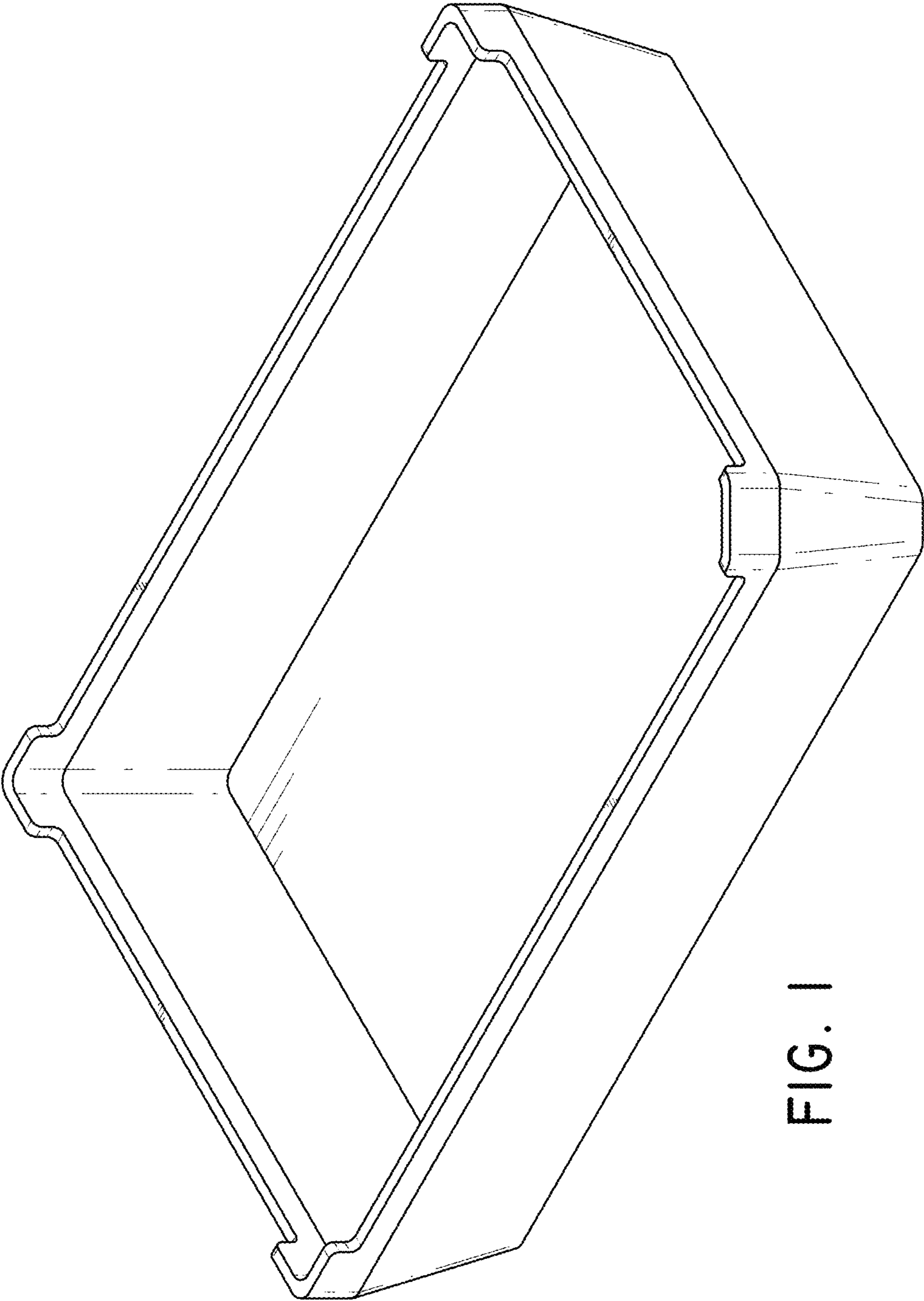


FIG. 1

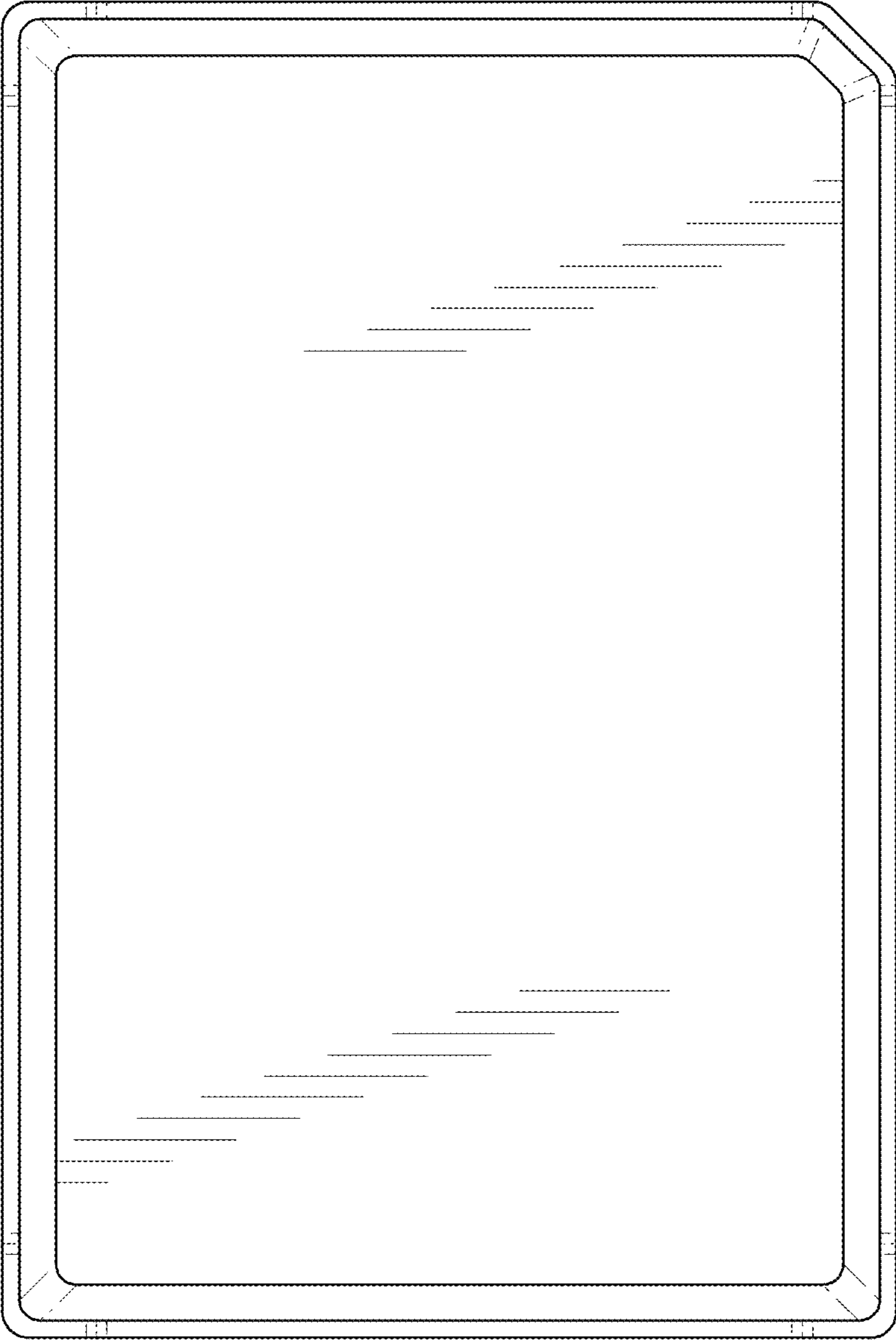


FIG. 2

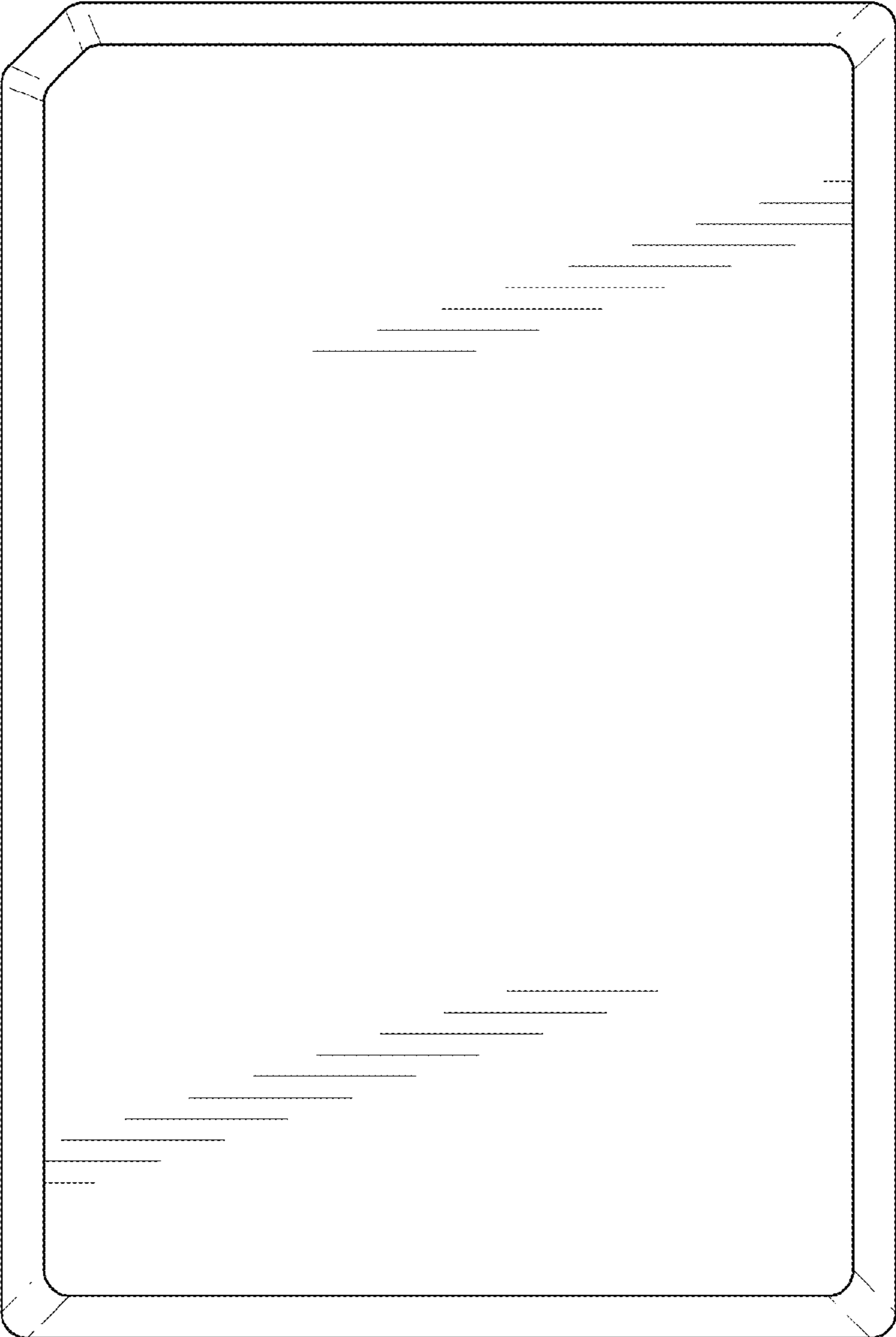


FIG. 3

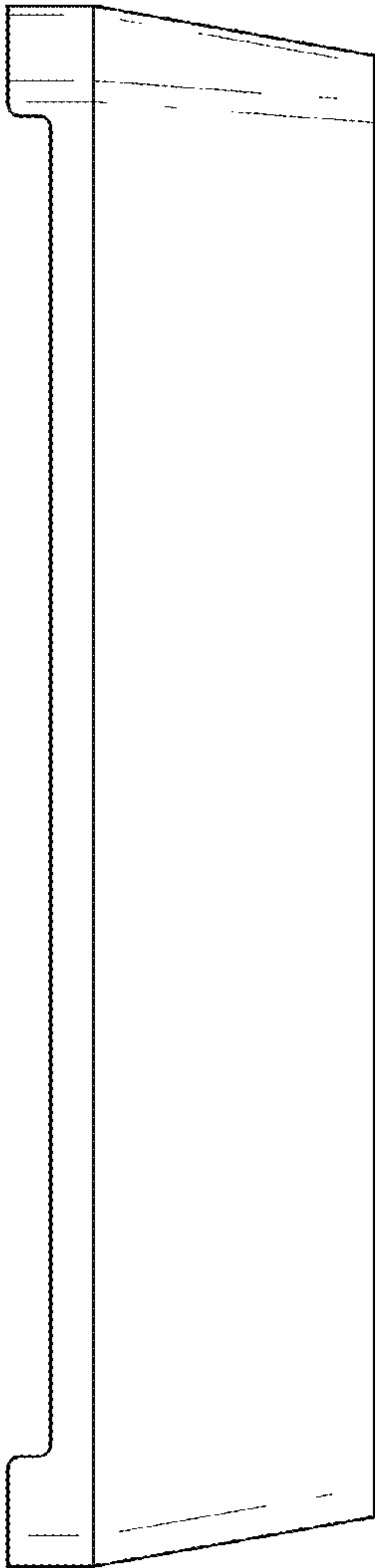


FIG. 4

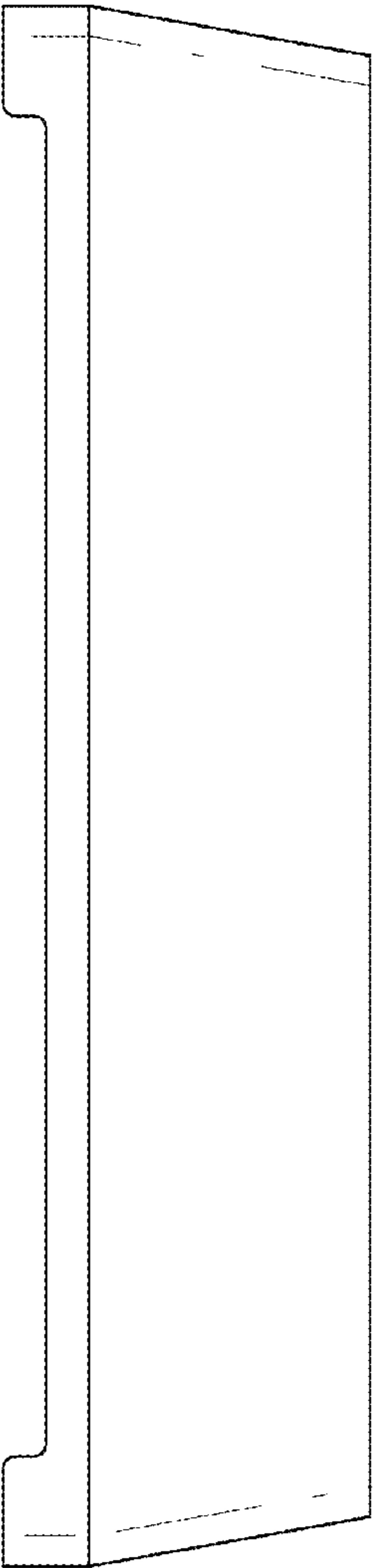


FIG. 5

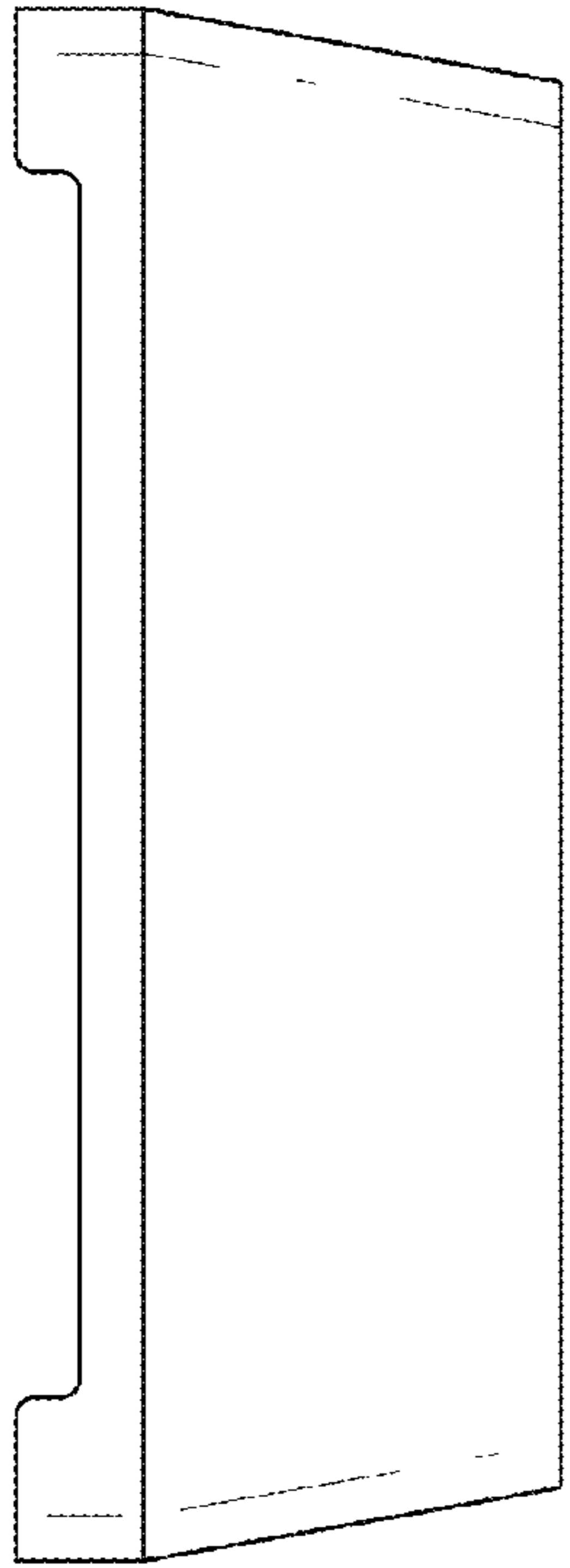


FIG. 6

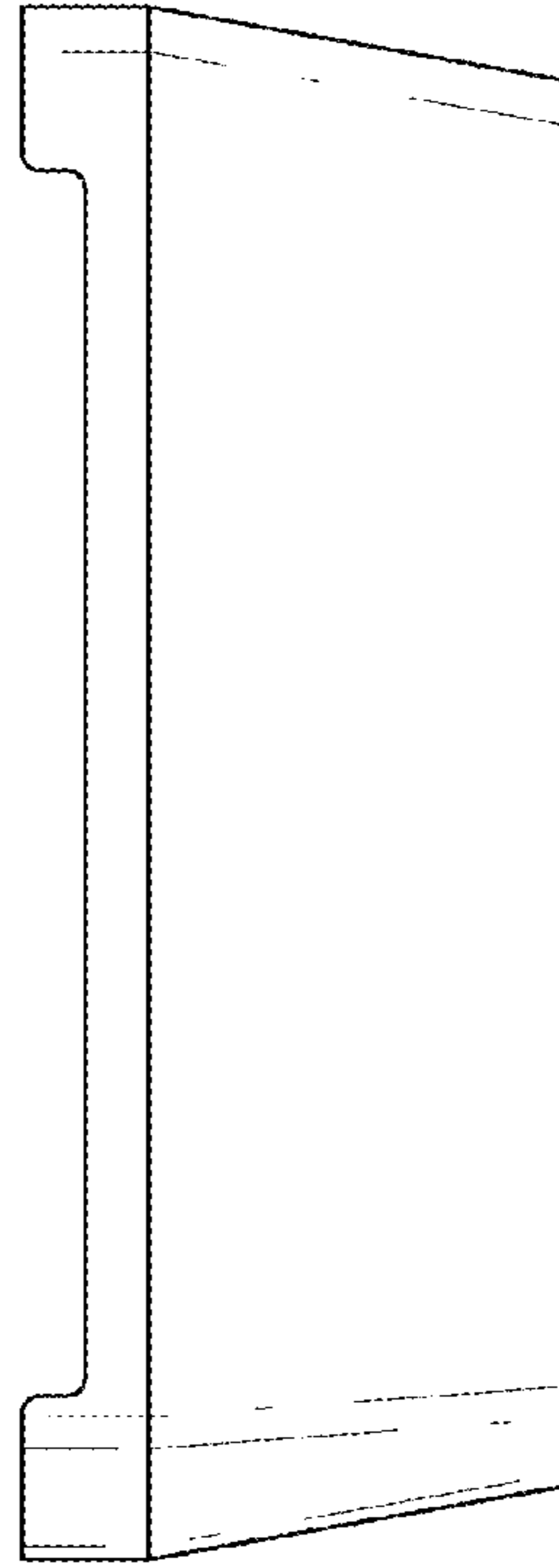


FIG. 7

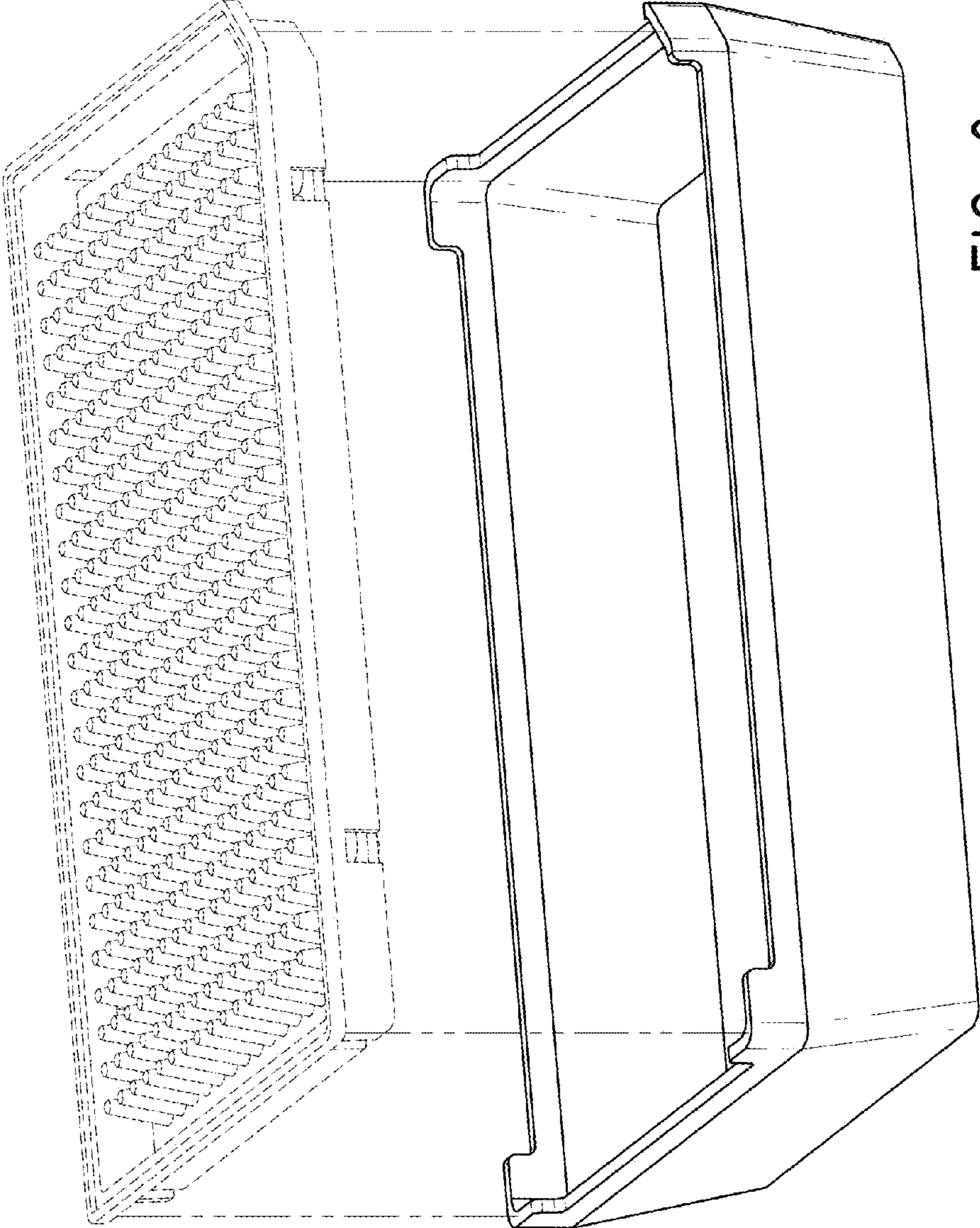


FIG. 8

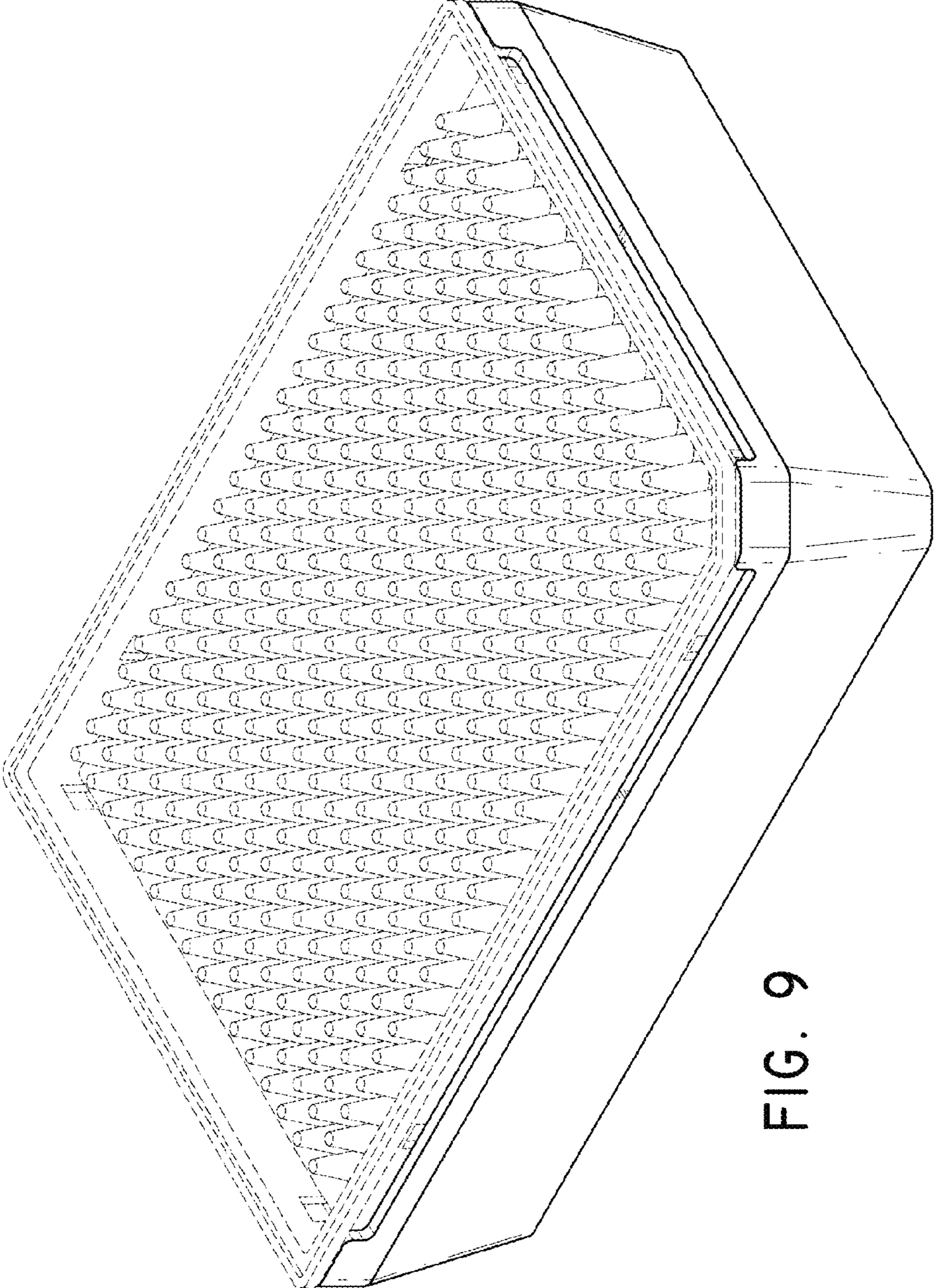


FIG. 9