



US00D729400S

(12) **United States Design Patent**
Hayman et al.

(10) **Patent No.:** **US D729,400 S**

(45) **Date of Patent:** **** May 12, 2015**

(54) **MIXING AND DISPENSING DEVICE**

(71) Applicant: **Common Sense, LLC**, Los Angeles, CA (US)

(72) Inventors: **Robert Hayman**, Los Angeles, CA (US); **Ravi Sawhney**, Thousand Oaks, CA (US); **Lance Hussey**, Thousand Oaks, CA (US)

(73) Assignee: **Common Sense Concepts, LLC**, Los Angeles, CA (US)

(**) Term: **14 Years**

(21) Appl. No.: **29/450,268**

(22) Filed: **Mar. 15, 2013**

(51) **LOC (10) Cl.** **24-02**

(52) **U.S. Cl.**
USPC **D24/221**

(58) **Field of Classification Search**
USPC D24/221, 220, 112, 222, 227, 121, 171, D24/170, 177, 152, 156, 176; D8/14.1; 604/137, 184, 185, 208, 191, 218; 433/89, 90; 222/113, 82, 132; 366/130, 366/177.1

See application file for complete search history.

(56) **References Cited**

U.S. PATENT DOCUMENTS

4,995,540 A * 2/1991 Colin et al. 222/132
5,290,259 A * 3/1994 Fischer 604/218
D361,382 S * 8/1995 Brunsell et al. D24/177

5,860,739 A * 1/1999 Cannon 366/177.1
5,875,928 A * 3/1999 Muller et al. 222/82
6,048,201 A * 4/2000 Zwingenberger 433/90
6,116,900 A * 9/2000 Ostler 433/89
6,889,872 B2 * 5/2005 Herman et al. 222/82
D510,629 S * 10/2005 Piacenza et al. D24/222
D543,621 S * 5/2007 Khalaj D24/112
D636,091 S * 4/2011 Brummitt D24/221
2008/0144426 A1 * 6/2008 Janssen et al. 366/130
2009/0101673 A1 * 4/2009 Alioto et al. 222/113
2009/0264831 A1 * 10/2009 Thompson et al. 604/191

* cited by examiner

Primary Examiner — Ian Simmons

Assistant Examiner — Rhea Shields

(74) *Attorney, Agent, or Firm* — Quan & Associates; Nancy N. Quan; Christopher Quan

(57) **CLAIM**

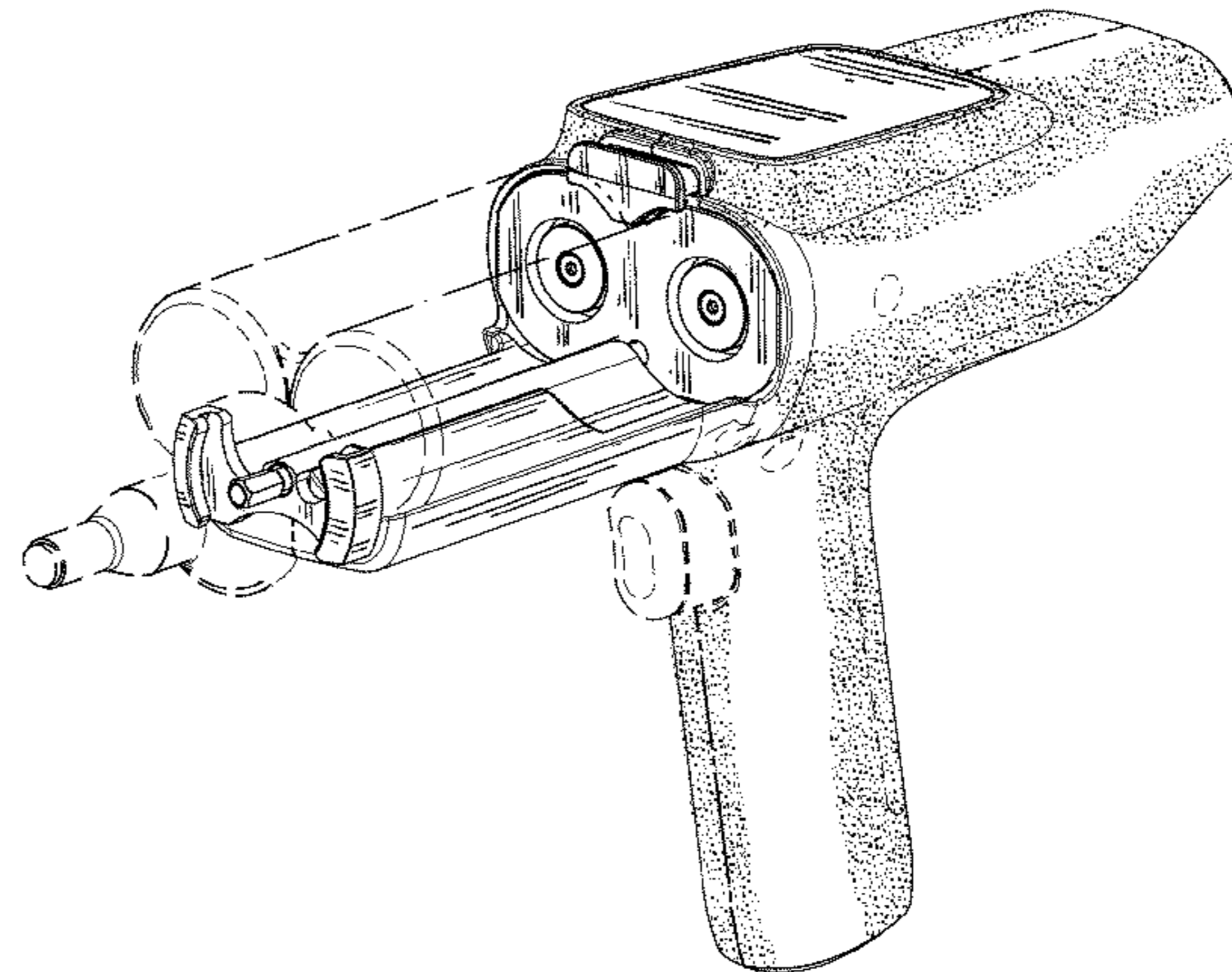
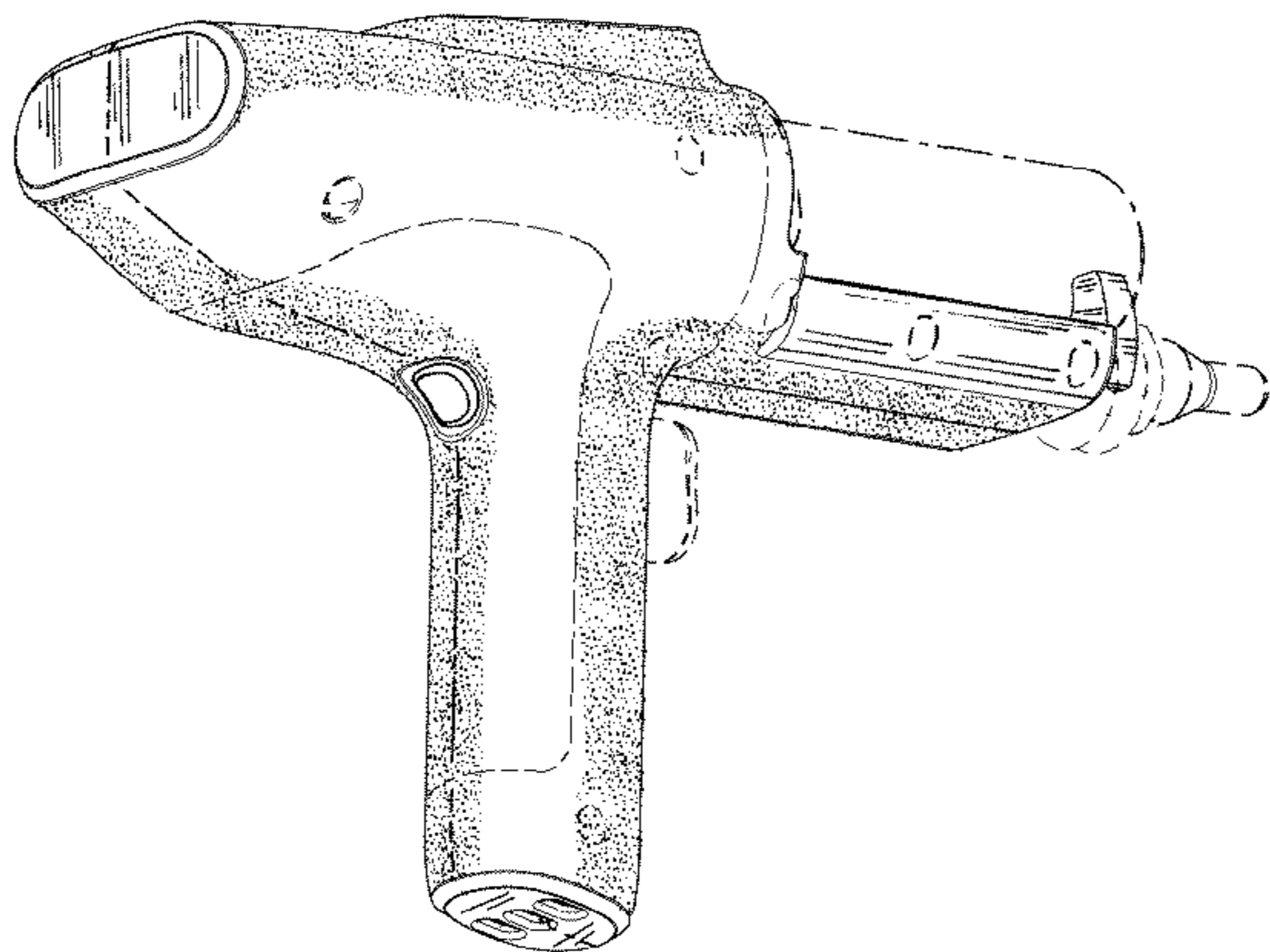
The ornamental design for a mixing and dispensing device, as shown and described.

DESCRIPTION

FIG. 1 is a back and side perspective view of a mixing and dispensing device embodying our new design;
FIG. 2 is a front and side perspective view thereof;
FIG. 3 is a top view thereof;
FIG. 4 is a left side view thereof;
FIG. 5 is a bottom view thereof;
FIG. 6 is a right side view thereof;
FIG. 7 is a front view; and,
FIG. 8 is a back view thereof.

In the drawings, the stippling indicates a contrast in appearance. The broken lines depict environmental subject matter only and form no part of the claimed design.

1 Claim, 3 Drawing Sheets



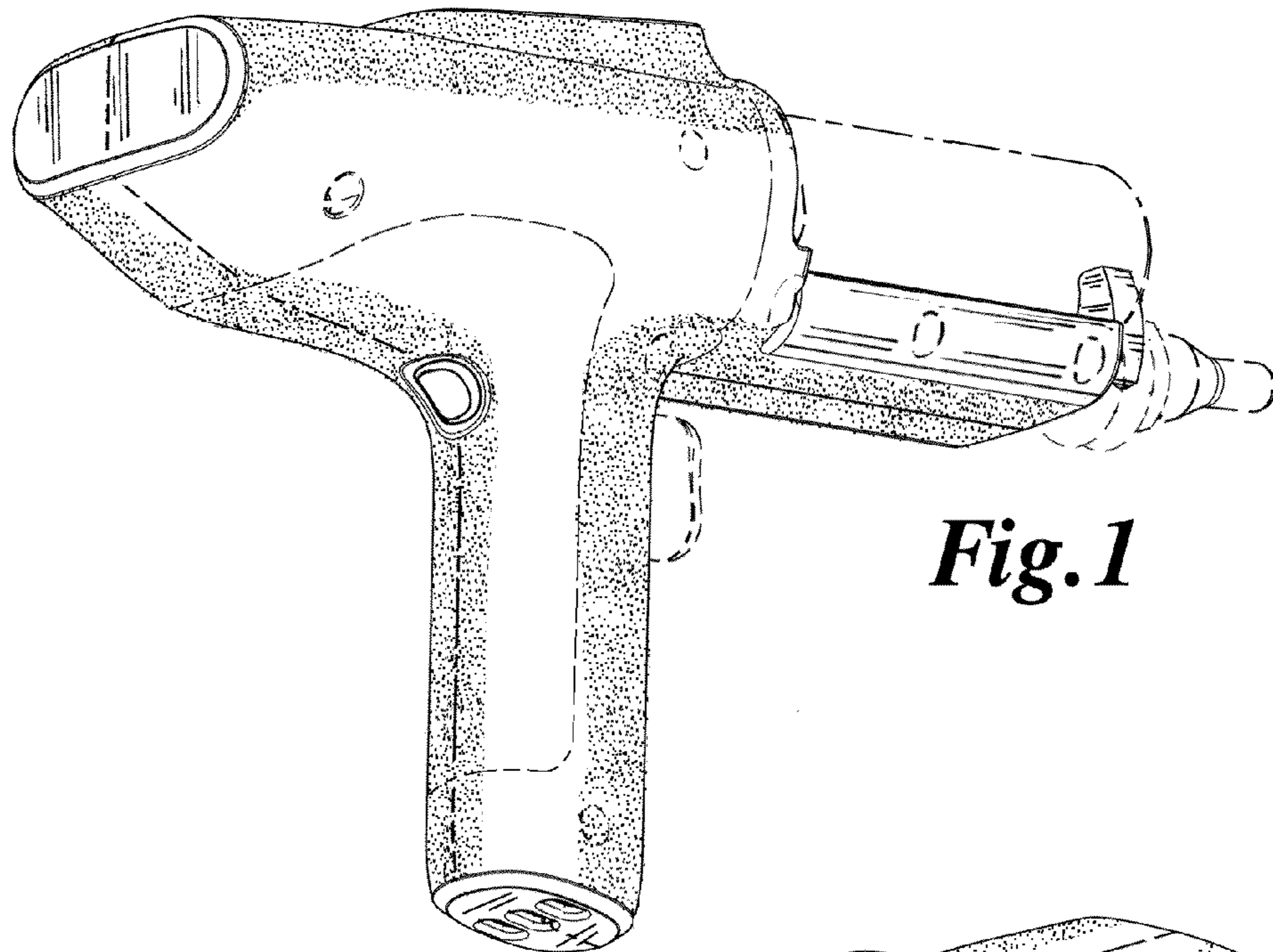


Fig. 1

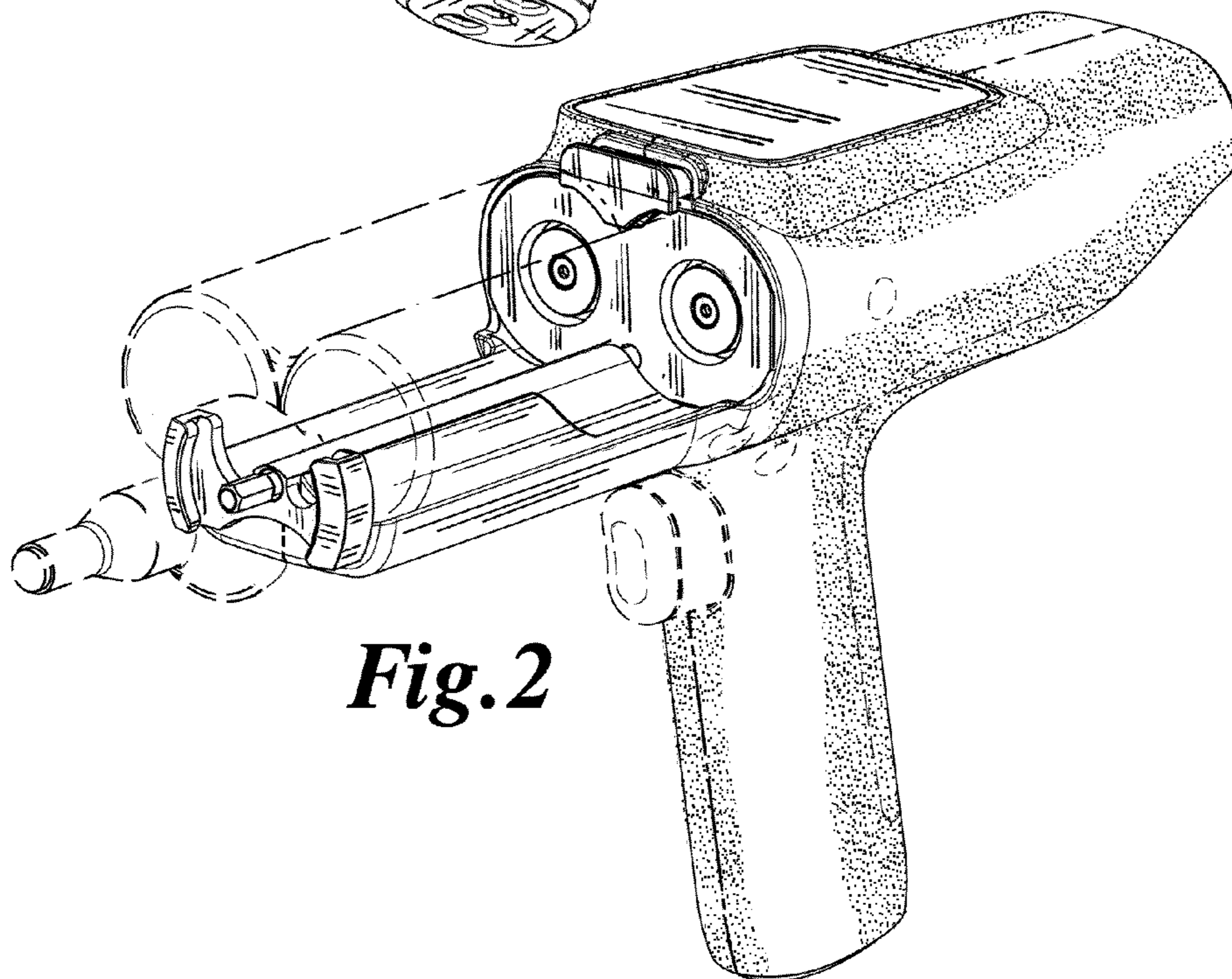


Fig. 2

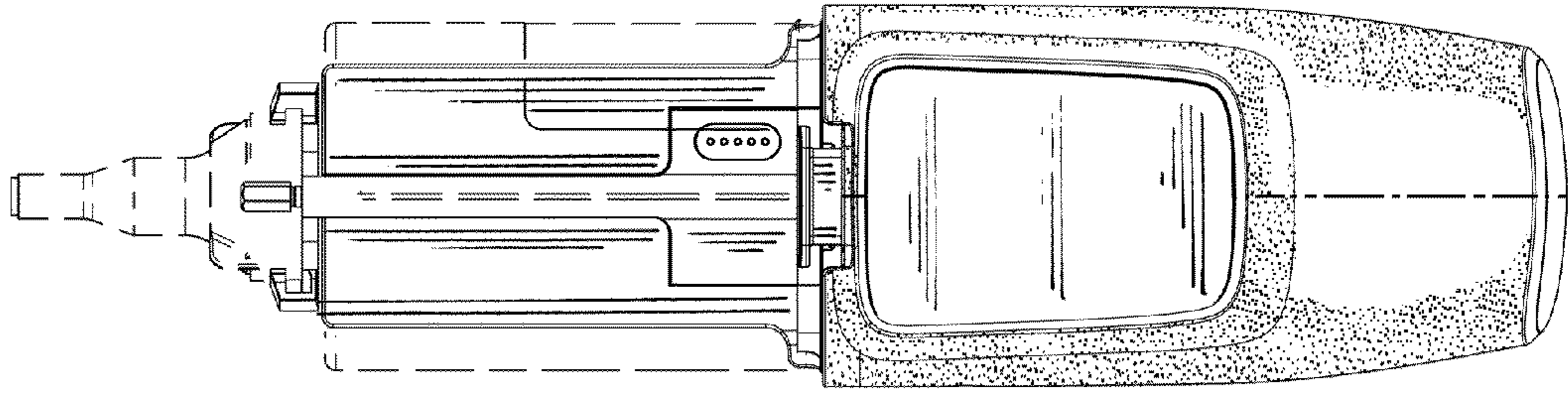


Fig. 3

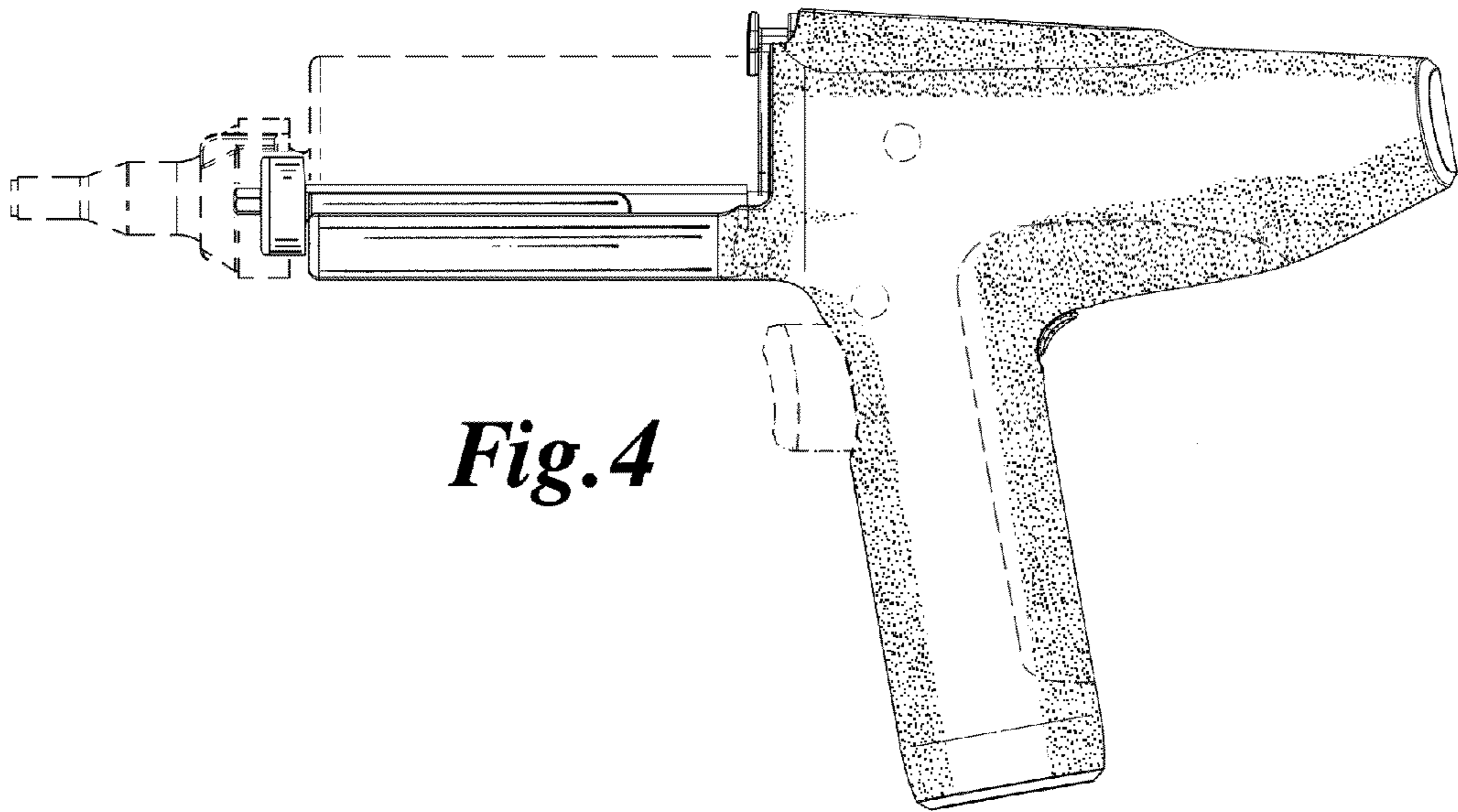


Fig. 4

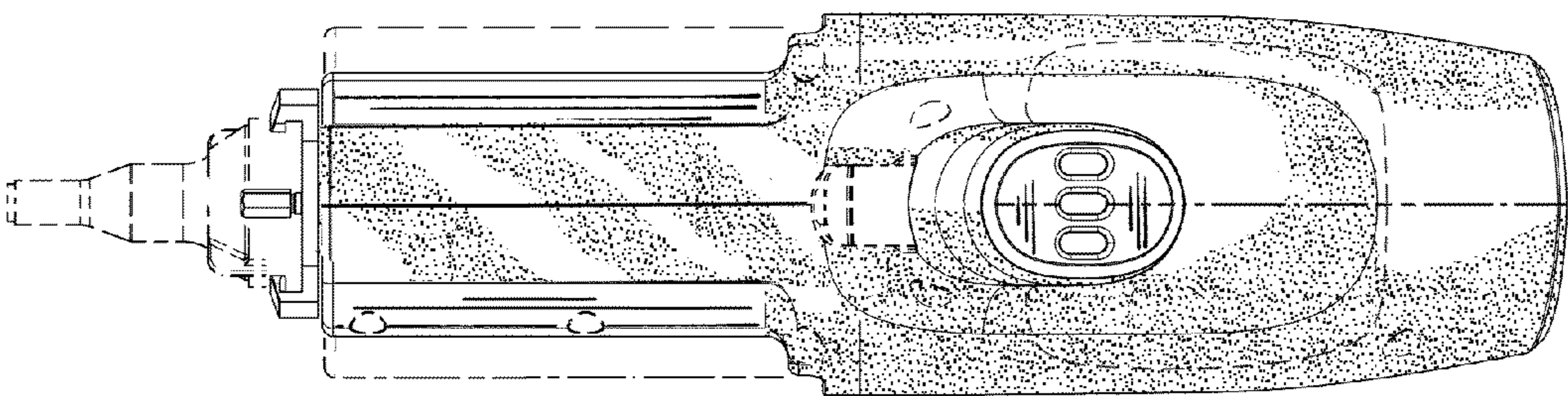


Fig. 5

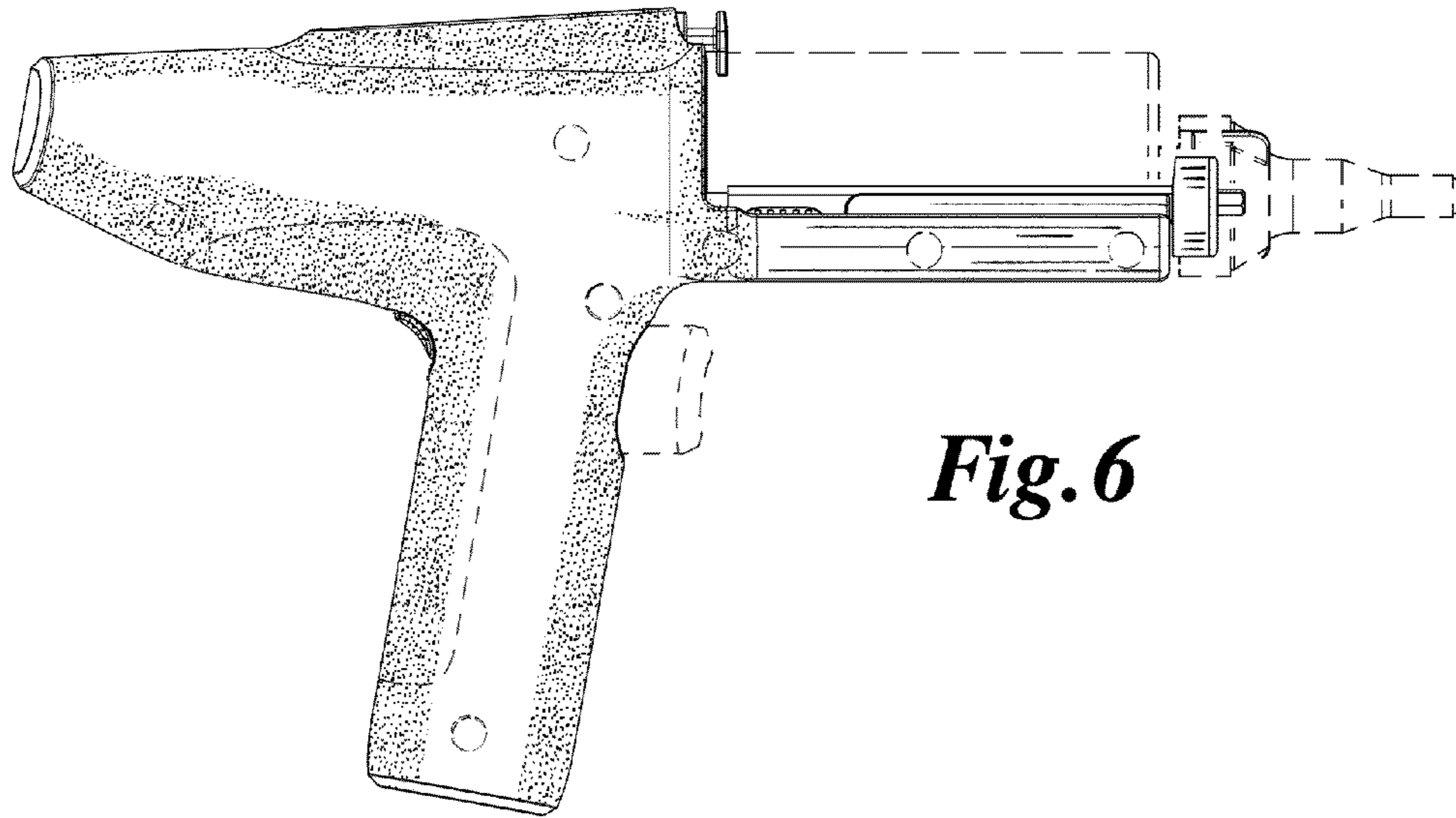


Fig. 6

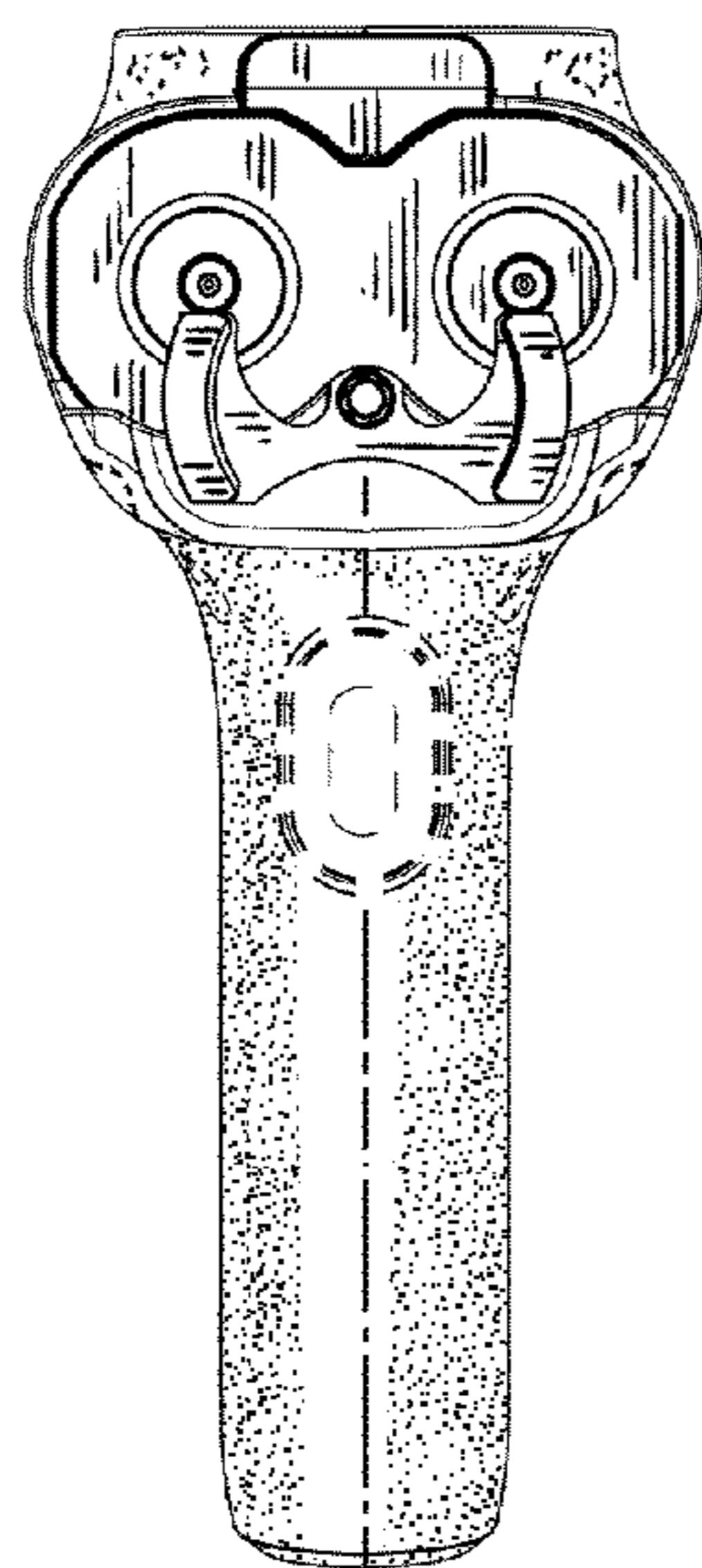


Fig. 7

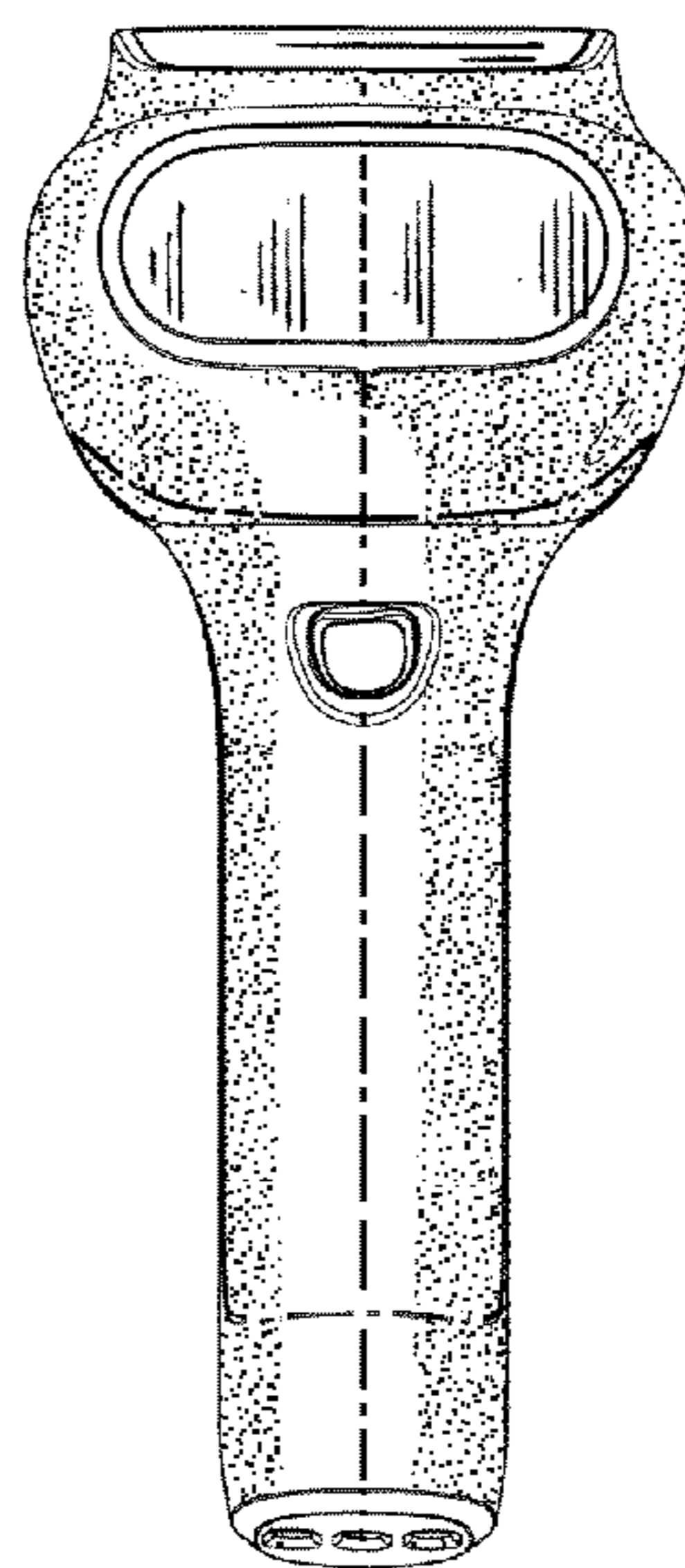


Fig. 8