



US00D729389S

(12) **United States Design Patent**
Hart

(10) **Patent No.:** **US D729,389 S**

(45) **Date of Patent:** **** May 12, 2015**

(54) **ABUTMENT FOR A DENTAL IMPLANT**

(71) Applicant: **Prospeross Pty Ltd.**, Melbourne (AU)

(72) Inventor: **Christopher Noel Hart**, Melbourne (AU)

(73) Assignee: **Prospeross Pty Ltd.**, Melbourne, Victoria (AU)

(**) Term: **14 Years**

(21) Appl. No.: **29/477,472**

(22) Filed: **Dec. 23, 2013**

(51) **LOC (10) Cl.** **24-02**

(52) **U.S. Cl.**
USPC **D24/156**

(58) **Field of Classification Search**
USPC D24/155-157; 433/159, 166, 172-174,
433/220, 221, 225; 439/271
See application file for complete search history.

(56) **References Cited**

U.S. PATENT DOCUMENTS

D356,869 S *	3/1995	Holmen et al.	D24/156
D362,720 S *	9/1995	Holmen et al.	D24/155
5,674,069 A *	10/1997	Osorio	433/172
5,779,480 A *	7/1998	Groll et al.	433/173
6,024,567 A *	2/2000	Callan	433/173
D441,448 S *	5/2001	Kumar	D24/156
D486,914 S *	2/2004	Schulter et al.	D24/156
D493,535 S *	7/2004	Whitehead	D24/156
D507,052 S *	7/2005	Wohrle	D24/156
D511,833 S *	11/2005	Wohrle	D24/156
D528,210 S *	9/2006	Boettcher	D24/156
D567,947 S *	4/2008	Lerner et al.	D24/156

D580,059 S *	11/2008	Boettcher	D24/156
D582,042 S	12/2008	Purga et al.		
D583,945 S	12/2008	Anitua Aldecoa		
D587,373 S *	2/2009	Purga et al.	D24/156
D601,703 S	10/2009	Kahdemann		
D603,514 S	11/2009	Emanuelli		
D611,603 S *	3/2010	Noguchi	D24/156
D611,604 S *	3/2010	Aoyagi	D24/156
D616,097 S *	5/2010	Johnson et al.	D24/156
D652,929 S *	1/2012	Sibhatu et al.	D24/156
D663,032 S *	7/2012	Mashio et al.	D24/156
D663,419 S *	7/2012	Mashio et al.	D24/156
D667,955 S *	9/2012	Spahn	D24/156

* cited by examiner

Primary Examiner — Ian Simmons

Assistant Examiner — Charles Hanson

(74) *Attorney, Agent, or Firm* — Andrew W. Chu; Craft Chu PLLC

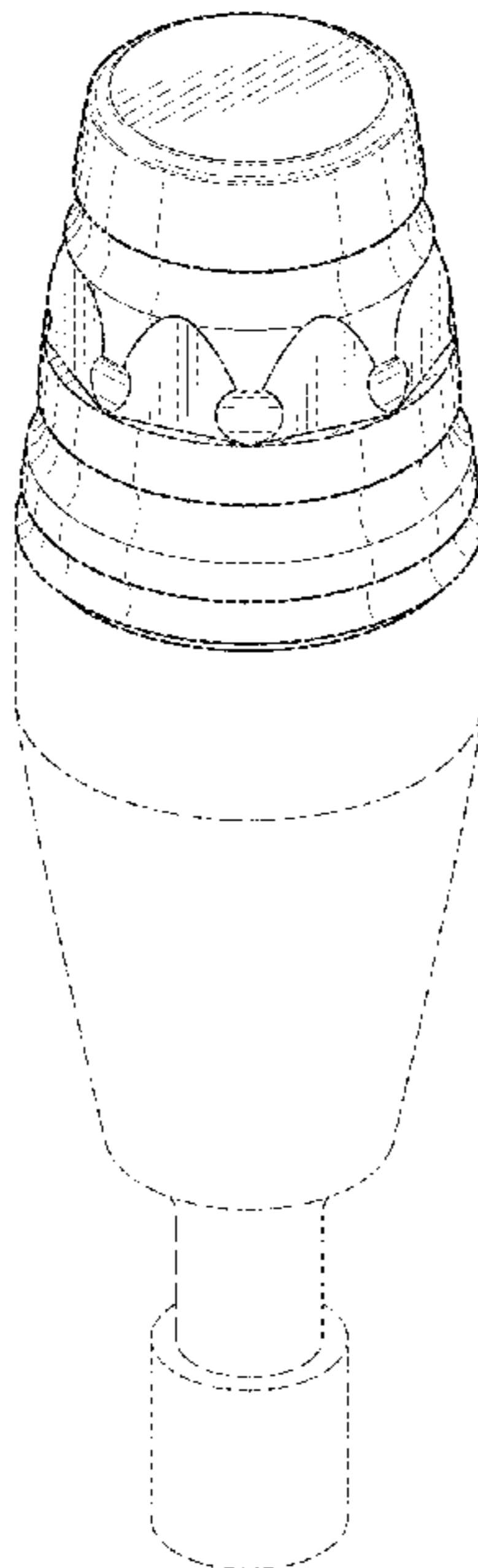
(57) **CLAIM**

The ornamental design for the abutment for a dental implant, as shown and described.

DESCRIPTION

FIG. 1 is a perspective view of an abutment for a dental implant showing my new design; FIG. 2 is a front elevation view thereof; FIG. 3 is a back elevation view thereof; FIG. 4 is a side elevation view thereof; FIG. 5 is an opposite side elevation view thereof; FIG. 6 is a top plan view thereof; and, FIG. 7 is a bottom plan view thereof. The implant portion is shown in broken lines in FIGS. 1-7. The broken lines are for illustrative purposes and form no part of the claimed design.

1 Claim, 3 Drawing Sheets



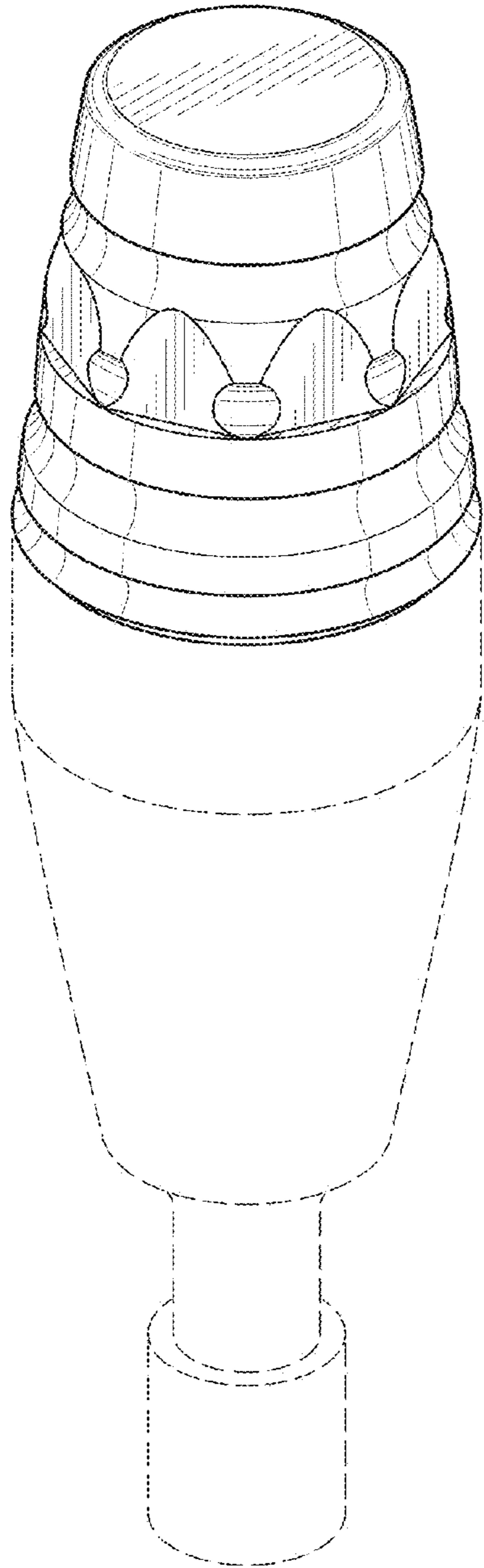


FIG. 1

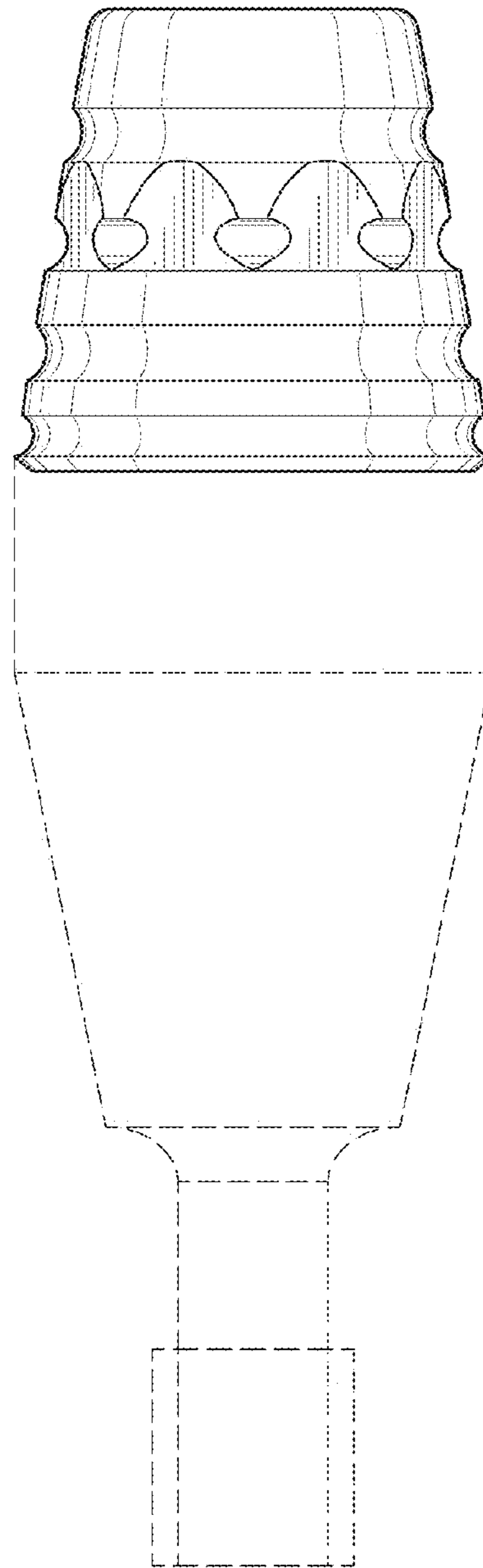


FIG. 2

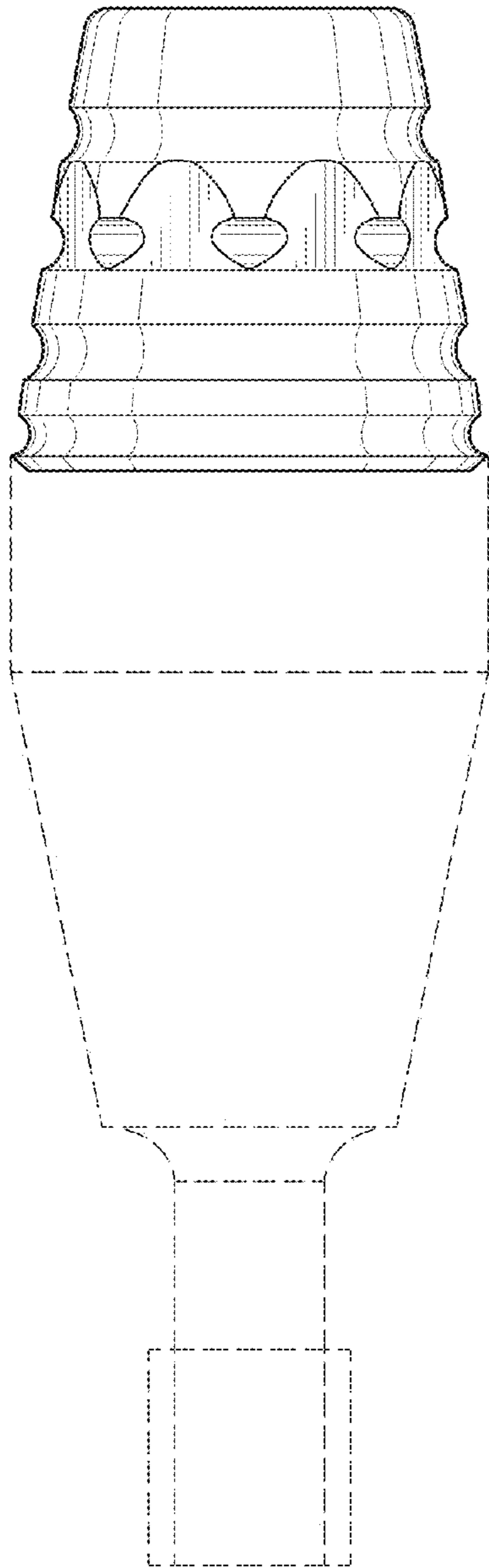


FIG. 3

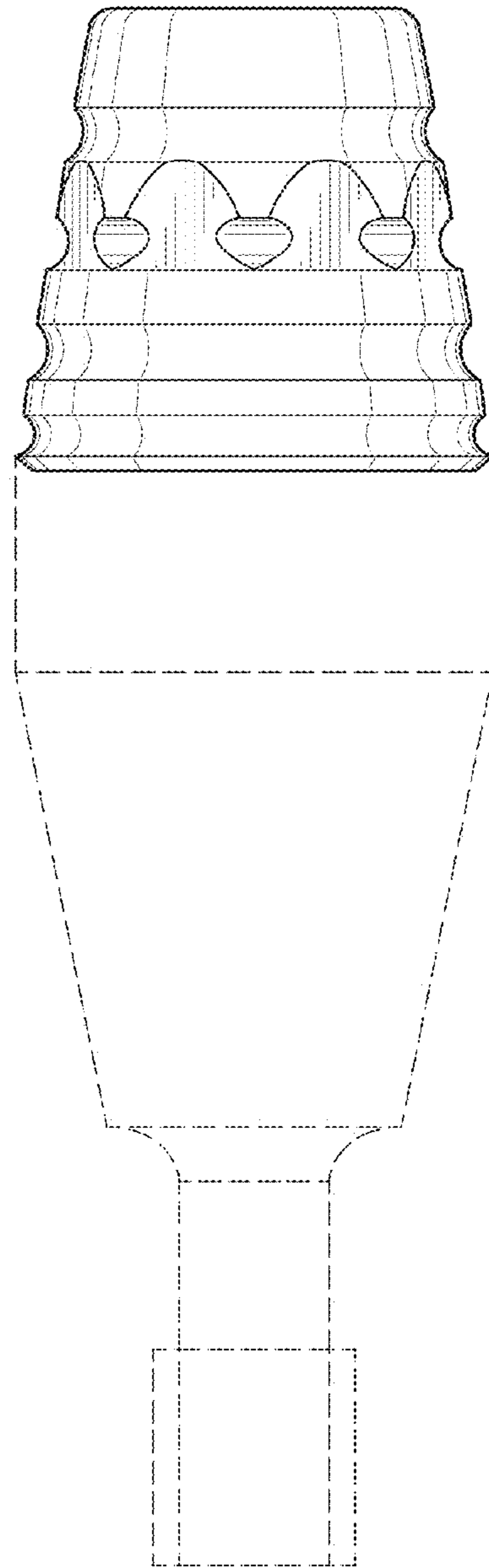


FIG. 4

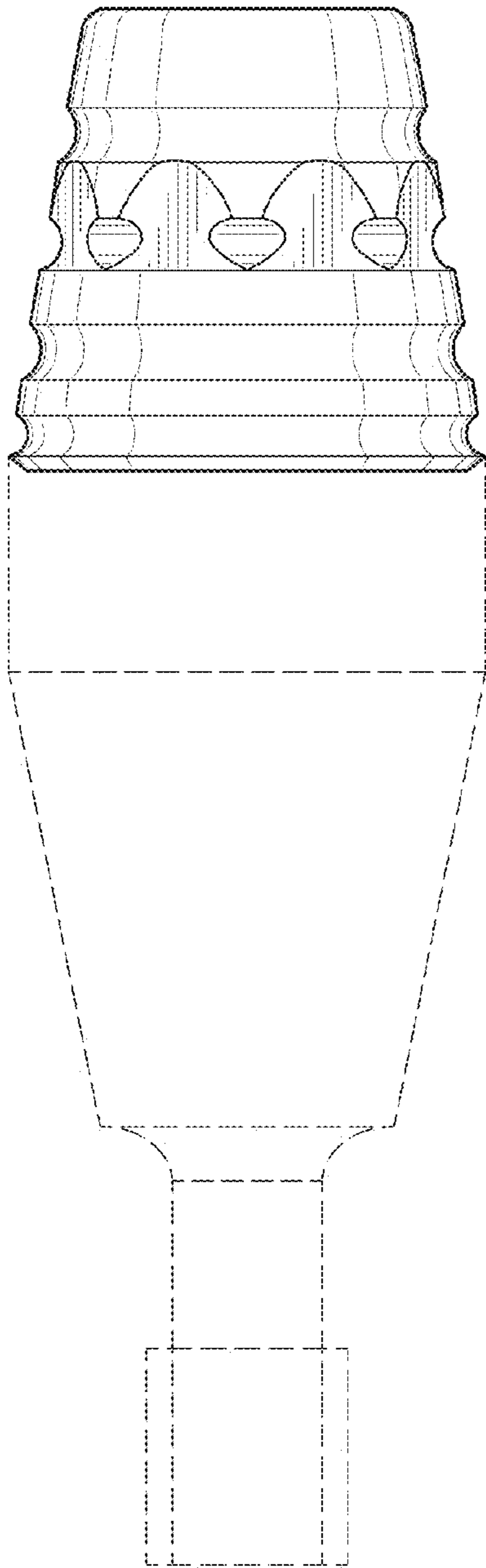


FIG. 5

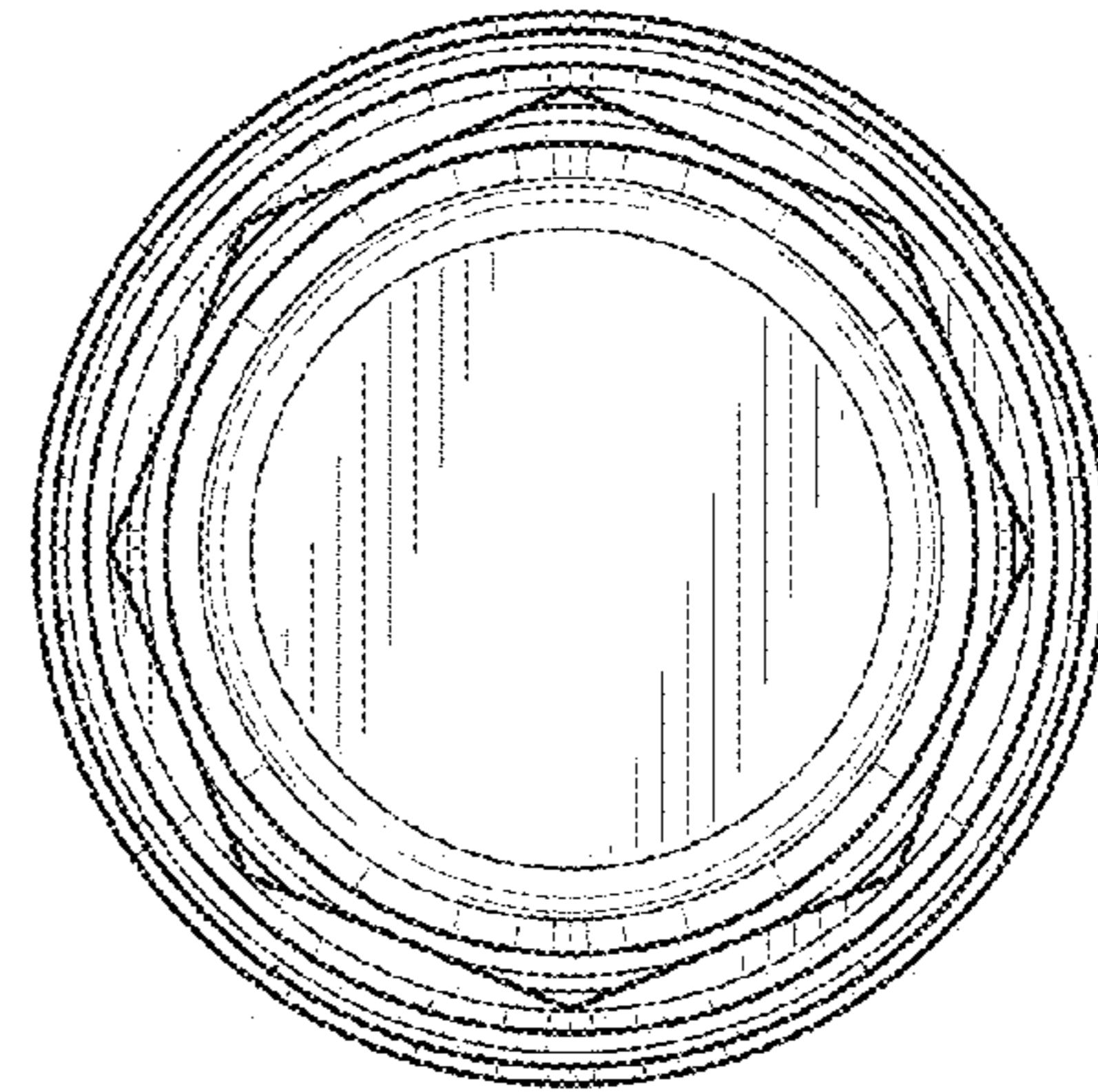


FIG. 6

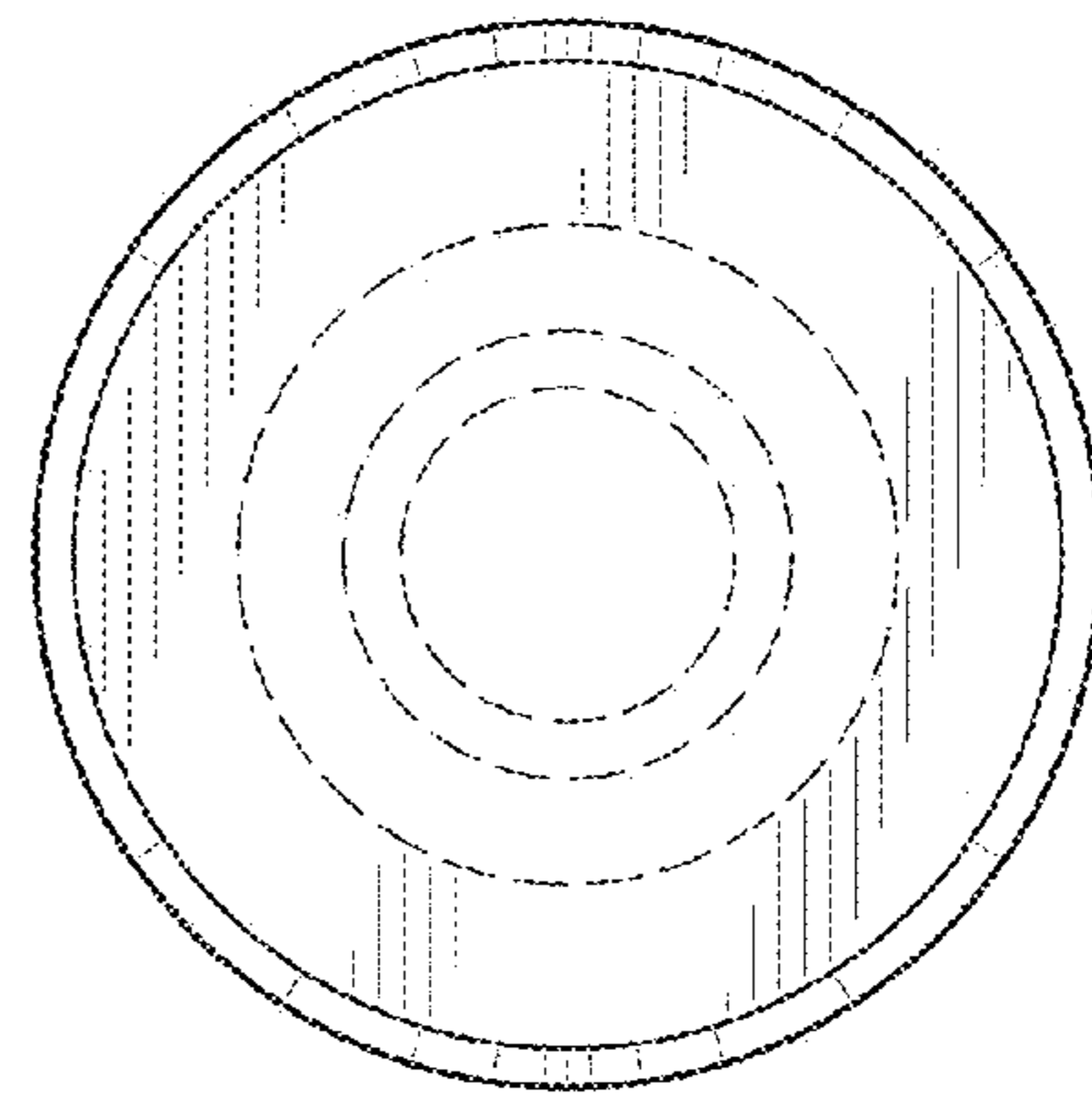


FIG. 7