



US00D729386S

(12) **United States Design Patent**
Ziegler et al.

(10) **Patent No.:** **US D729,386 S**
(45) **Date of Patent:** **** May 12, 2015**

(54) **DERMATOLOGICAL SYSTEM**

(75) Inventors: **Andrew Ziegler**, Arlington, MA (US);
Thomas Swyst, Arlington, MA (US)

(73) Assignee: **MoMelan Technologies, Inc.**,
Cambridge, MA (US)

(**) Term: **14 Years**

(21) Appl. No.: **29/427,703**

(22) Filed: **Jul. 20, 2012**

Related U.S. Application Data

(63) Continuation-in-part of application No. 29/427,087,
filed on Jul. 13, 2012, now Pat. No. Des. 706,422, and
a continuation-in-part of application No. 29/427,089,
filed on Jul. 13, 2012.

(51) **LOC (10) Cl.** **24-02**

(52) **U.S. Cl.**
USPC **D24/147**

(58) **Field of Classification Search**
USPC D24/133, 146, 147, 200, 214, 215;
606/127, 131, 132, 167, 166; 604/313,
604/289; 451/75, 90, 91; D28/56-59;
D7/667, 678; 600/562, 569, 570;
30/43.7

See application file for complete search history.

(56) **References Cited**

U.S. PATENT DOCUMENTS

5,514,167	A *	5/1996	Smith et al.	607/75
D401,696	S *	11/1998	Kuo	D24/200
D444,557	S *	7/2001	Levaughn et al.	D24/146
D457,641	S *	5/2002	Lai	D24/200
D482,124	S *	11/2003	Wade	D24/200
D531,725	S *	11/2006	Loerwald et al.	D24/146
D552,241	S *	10/2007	Bromley et al.	D24/170
D569,974	S *	5/2008	Perry	D24/146

7,625,384	B2 *	12/2009	Eriksson et al.	606/132
D608,502	S *	1/2010	Andersson et al.	D28/59
7,666,192	B2 *	2/2010	Seegert et al.	606/131
D613,871	S *	4/2010	Choi et al.	D24/215
D629,528	S *	12/2010	Adkisson	D24/215
D638,265	S *	5/2011	Shamoon	D7/698
D658,304	S *	4/2012	Rundle et al.	D24/200
D669,593	S *	10/2012	Elder	D24/215
D687,599	S *	8/2013	Amit	D28/58
8,535,239	B2 *	9/2013	Conlon et al.	600/564
8,540,688	B2 *	9/2013	Eckstein et al.	604/305

* cited by examiner

Primary Examiner — Ian Simmons

Assistant Examiner — Carissa C Fitts

(74) *Attorney, Agent, or Firm* — Reza Mollaaghababa;
Thomas Engellenner; Pepper Hamilton LLC

(57) **CLAIM**

The ornamental design for a dermatological system, as shown
and described.

DESCRIPTION

FIG. 1 illustrates a top side perspective view of a dermato-
logical system employing an ornamental design in accord-
ance with the present invention;

FIG. 2 illustrates a left side view of the dermatological system
of FIG. 1;

FIG. 3 illustrates a right side view of the dermatological
system of FIG. 1;

FIG. 4 illustrates a front side view of the dermatological
system of FIG. 1;

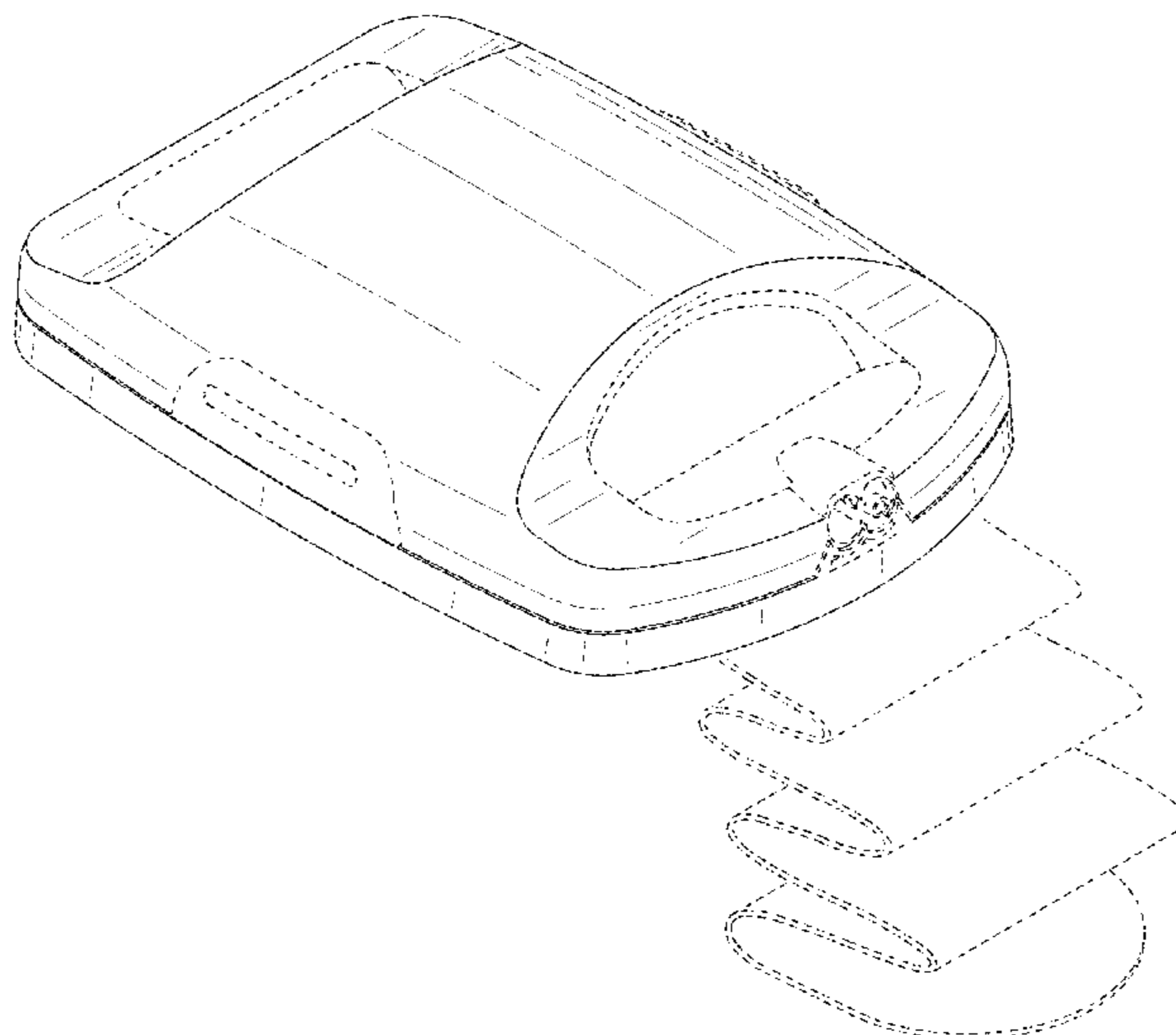
FIG. 5 illustrates a back side view of the dermatological
system of FIG. 1;

FIG. 6 illustrates a top view of the dermatological system of
FIG. 1; and,

FIG. 7 illustrates a bottom view of the dermatological system
of FIG. 1.

All features illustrated in phantom line are expressly dis-
claimed and form no part of the claimed design.

1 Claim, 7 Drawing Sheets



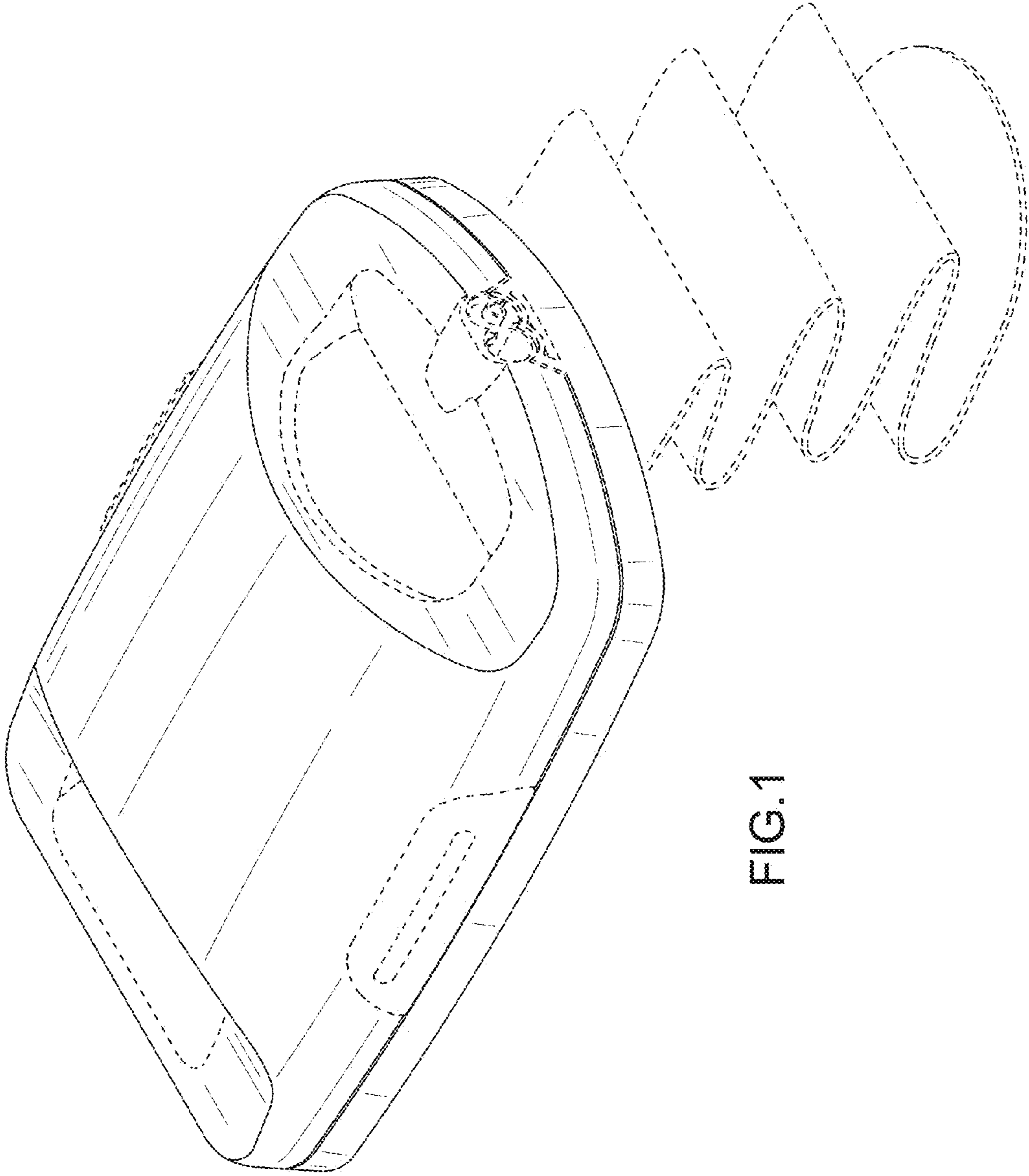


FIG.1

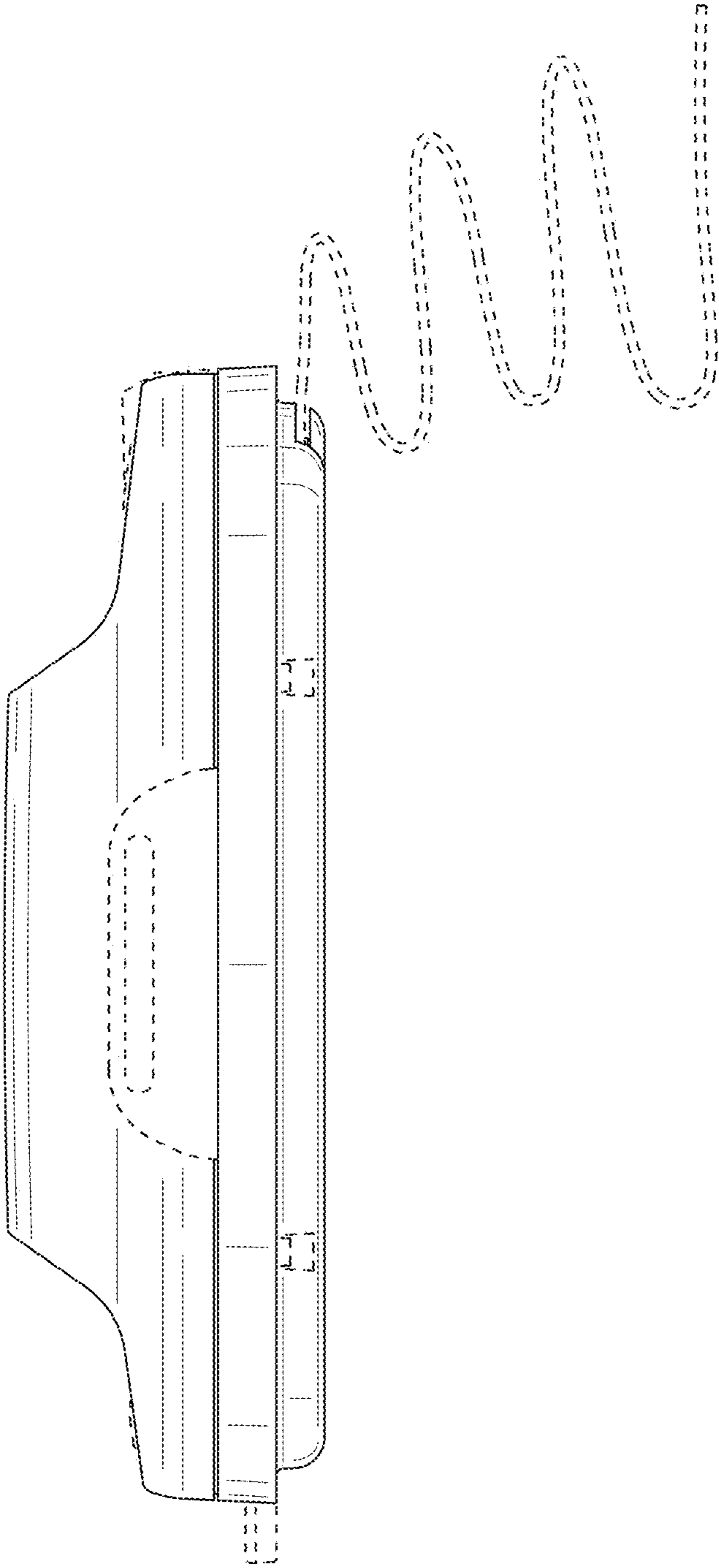


FIG.2

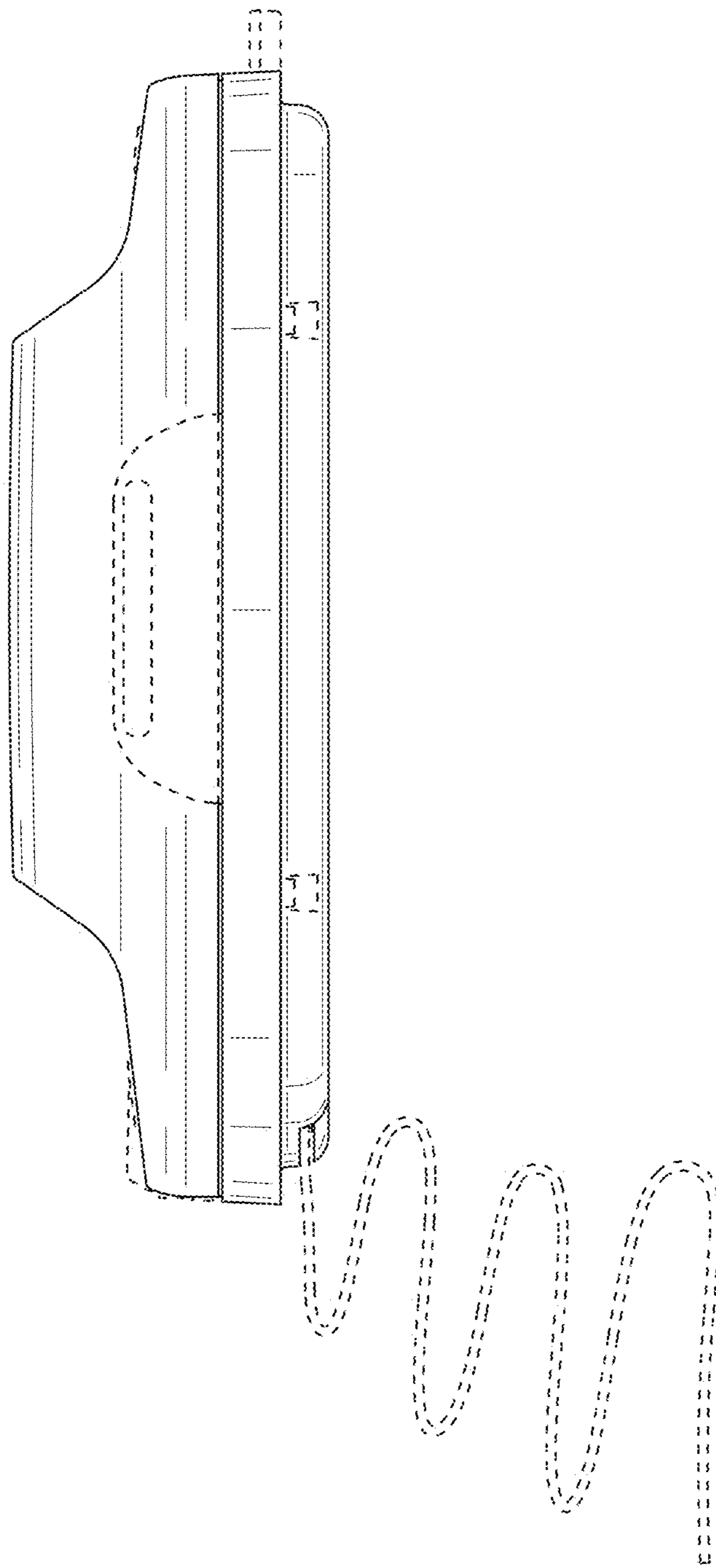


FIG.3

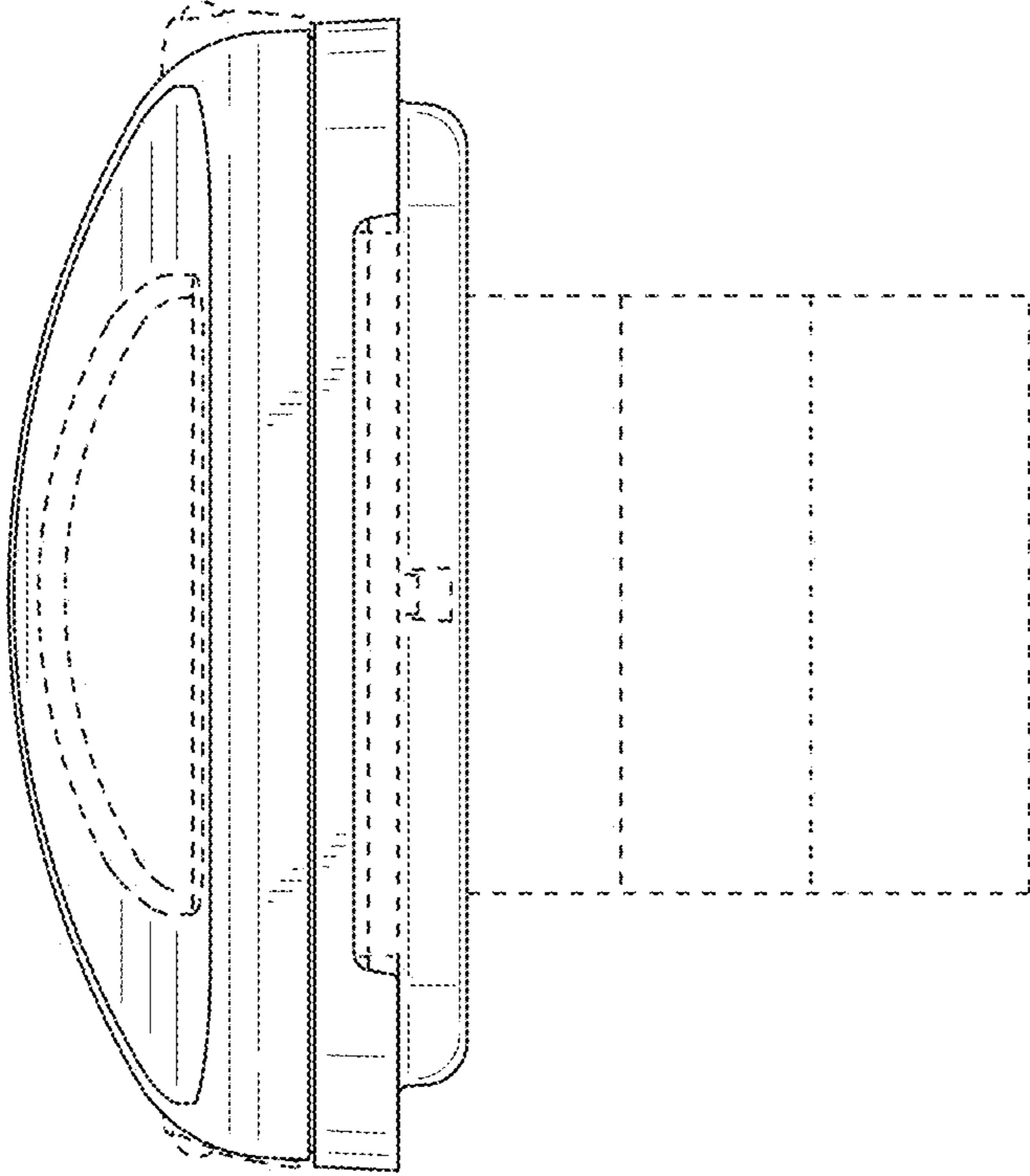


FIG.4

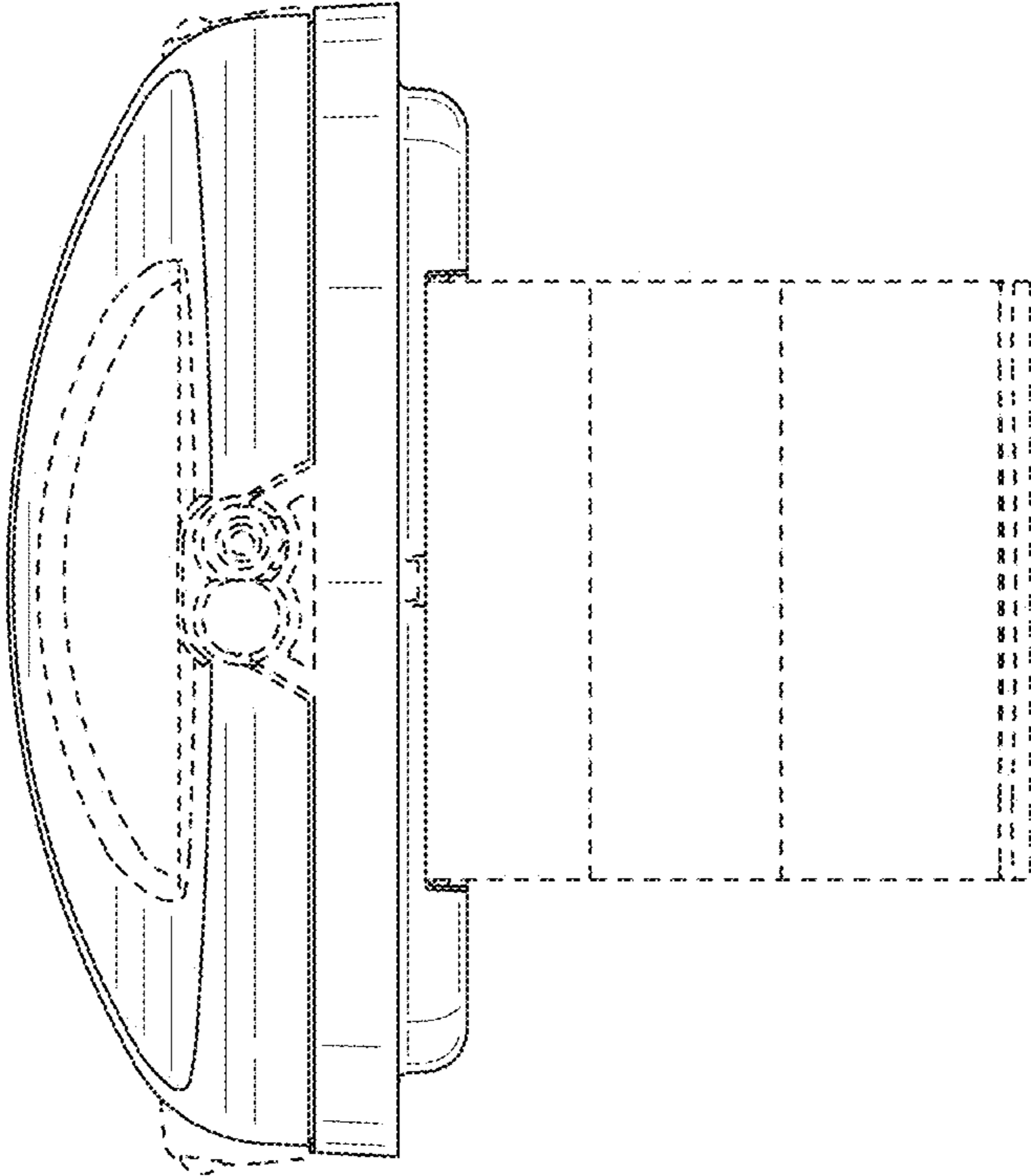


FIG.5

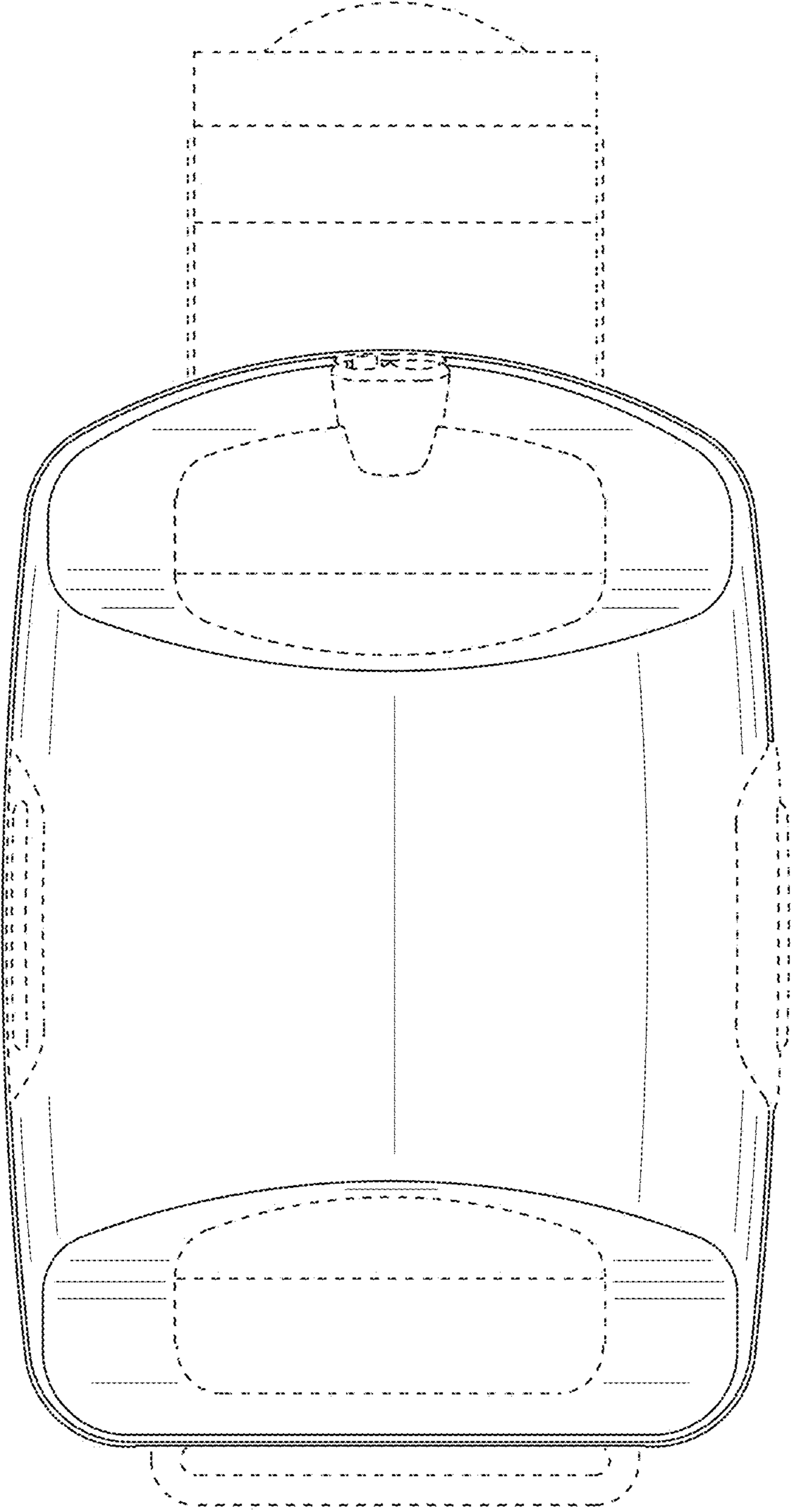


FIG.6

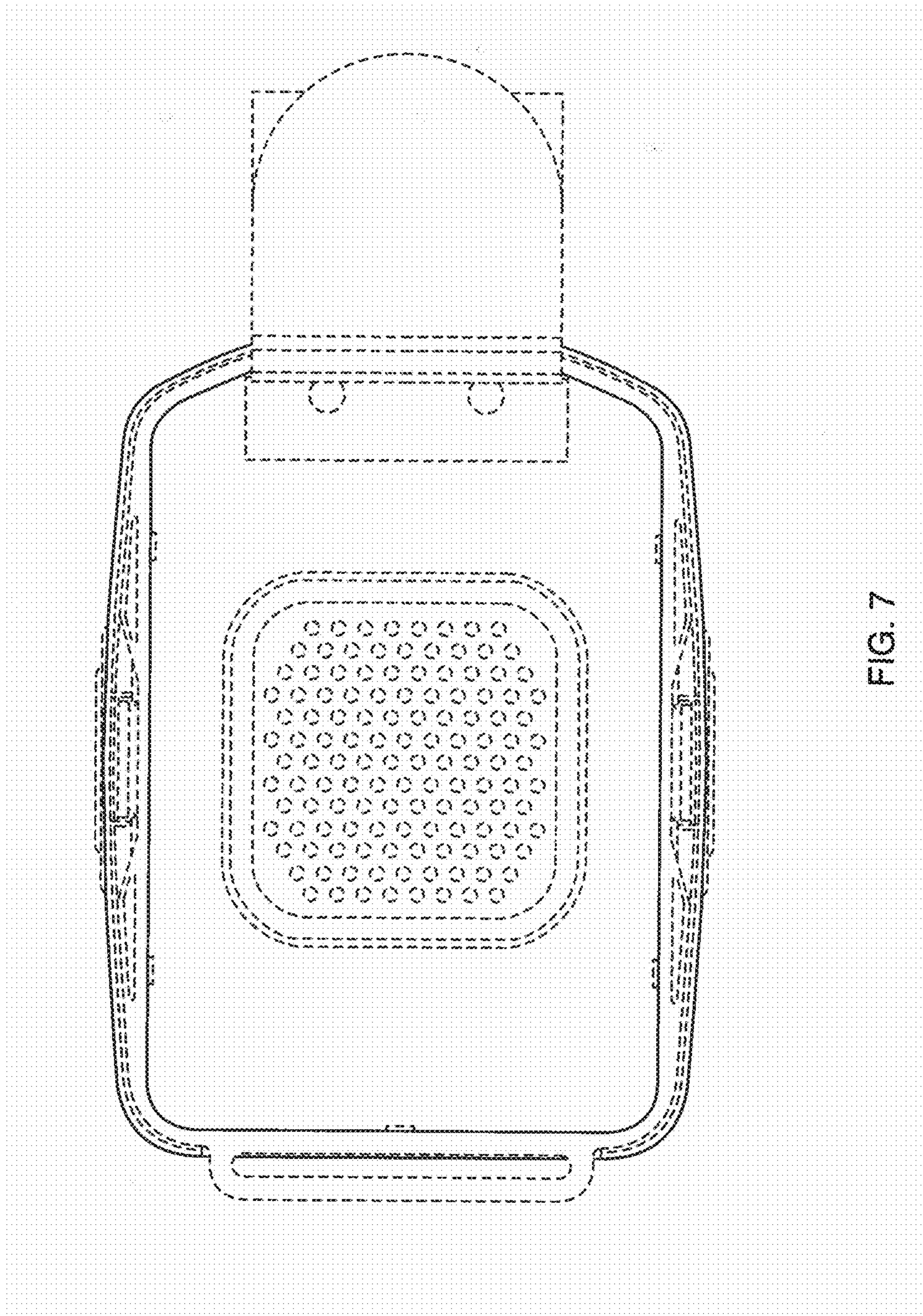


FIG. 7