

US00D729384S

(12) **United States Design Patent**
Renner

(10) **Patent No.:** **US D729,384 S**

(45) **Date of Patent:** **** May 12, 2015**

(54) **BRONCHOSCOPE**

(71) Applicant: **Karl Storz GmbH & Co. KG,**
Tuttlingen (DE)

(72) Inventor: **Martin Renner,** Liptingen (DE)

(73) Assignee: **Karl Storz GmbH & Co. KG,**
Tuttlingen (DE)

(**) Term: **14 Years**

(21) Appl. No.: **29/454,415**

(22) Filed: **May 9, 2013**

(30) **Foreign Application Priority Data**

Nov. 9, 2012 (EM) 002133611-0002
Nov. 9, 2012 (EM) 002133611-0003

(51) **LOC (10) Cl.** **24-02**

(52) **U.S. Cl.**
USPC **D24/138**

(58) **Field of Classification Search**
CPC A61B 1/267; A61B 1/2673; A61B 1/2676
USPC D24/138, 137, 133
See application file for complete search history.

(56) **References Cited**

U.S. PATENT DOCUMENTS

3,368,552 A * 2/1968 Bottcher 600/107
5,383,876 A * 1/1995 Nardella 606/49
D367,324 S * 2/1996 McCarthy et al. D24/112
5,725,478 A * 3/1998 Saad 600/157
D420,131 S * 2/2000 Renner et al. D24/138
D570,479 S * 6/2008 Rehbein et al. D24/133

7,413,542 B2 * 8/2008 Kucklick et al. 600/114
D631,545 S * 1/2011 Halder et al. D24/137
D663,027 S * 7/2012 Halder D24/137
D667,114 S * 9/2012 Campo et al. D24/138
D667,546 S * 9/2012 Becker D24/138
2005/0059857 A1 * 3/2005 Freier et al. 600/114
2006/0270907 A1 * 11/2006 Klemm 600/177

OTHER PUBLICATIONS

Karl Storz GmbH, "Rigid Bronchoscopy Universal Bronchoscopes for pediatrics and adults," Endoworld, Ent 120-1-E, pp. 1-20 (Sep. 2011).

* cited by examiner

Primary Examiner — Bridget L Eland

(74) *Attorney, Agent, or Firm* — Muncy, Geissler, Olds & Lowe, P.C.

(57) **CLAIM**

The ornamental design for a bronchoscope, as shown and described.

DESCRIPTION

FIG. 1 is a left side elevational view of a bronchoscope according to the present invention.

FIG. 2 is a right side elevational view of the bronchoscope of FIG. 1.

FIG. 3 is a front elevational view of the bronchoscope of FIG. 1.

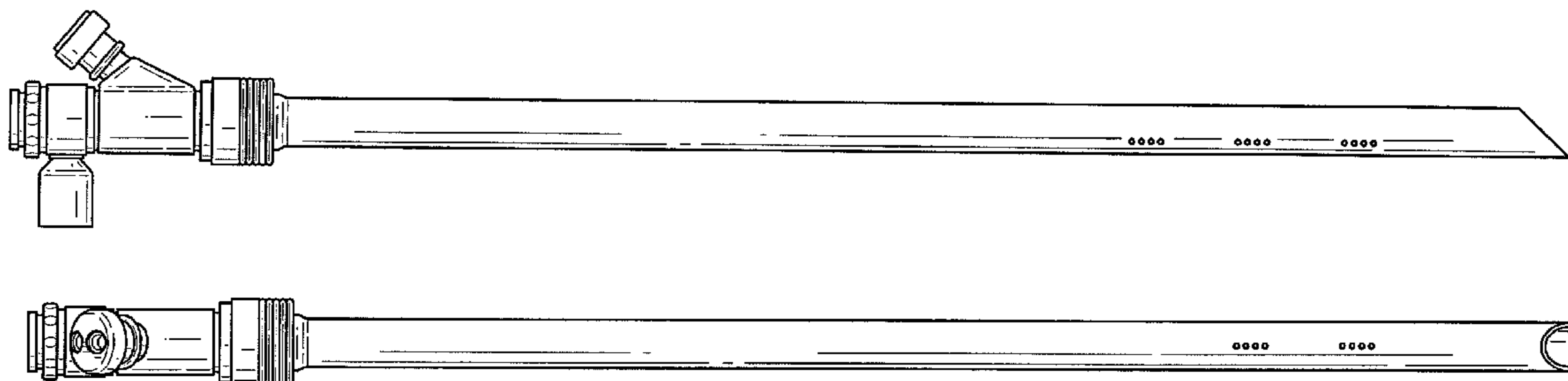
FIG. 4 is a rear elevational view of the bronchoscope of FIG. 1.

FIG. 5 is a top plan view of the bronchoscope of FIG. 1.

FIG. 6 is a bottom plan view of the bronchoscope of FIG. 1; and,

FIG. 7 is a perspective view of the bronchoscope of FIG. 1.

1 Claim, 7 Drawing Sheets



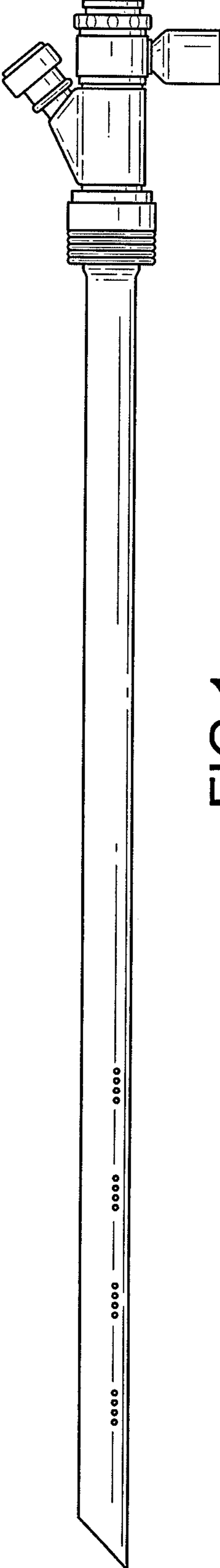


FIG.1

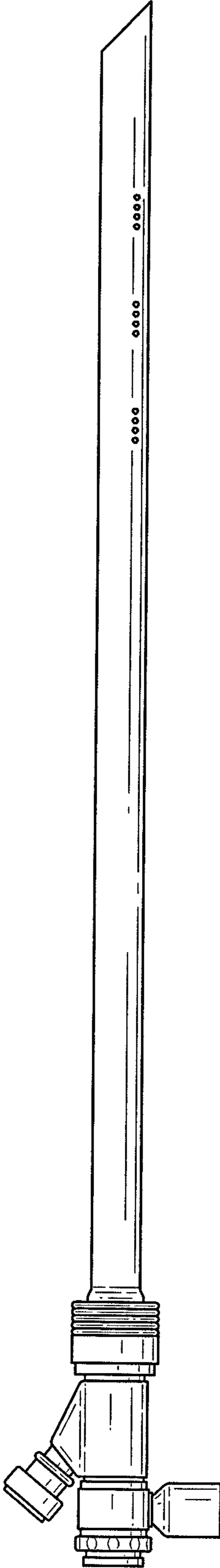


FIG.2

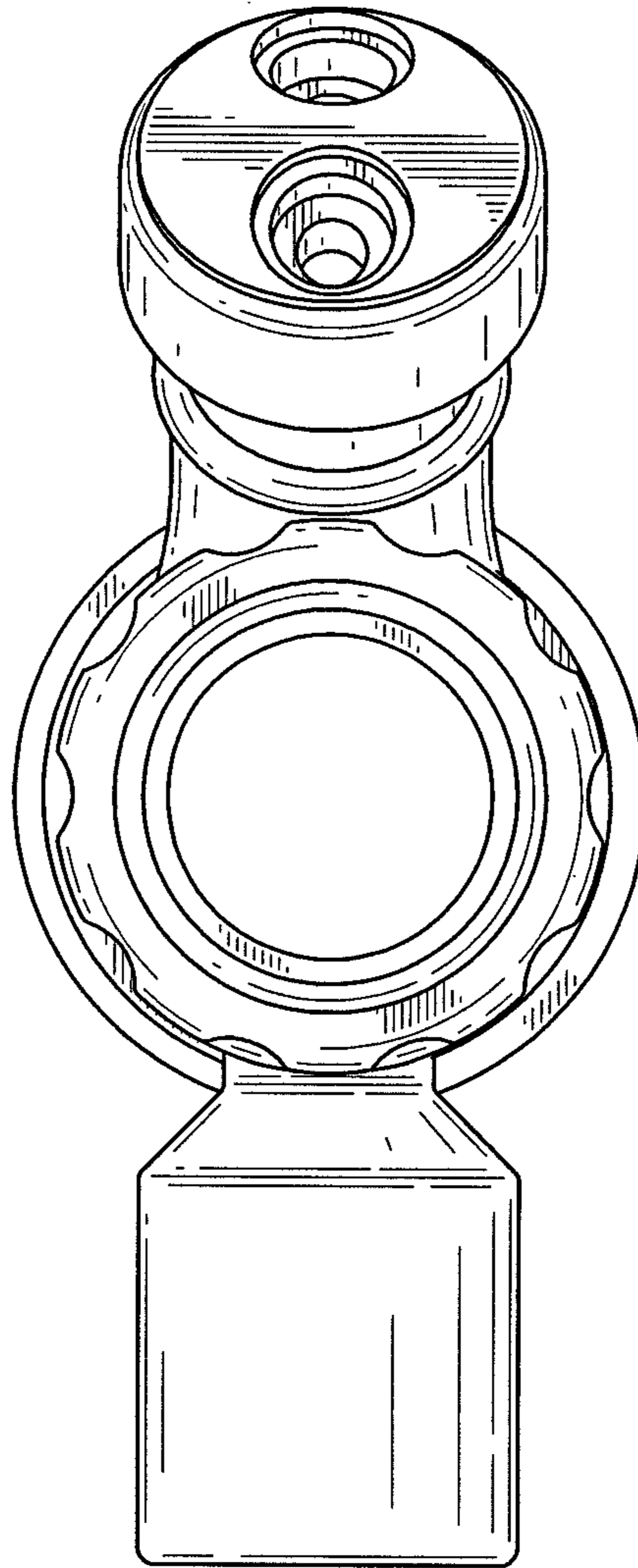


FIG.3

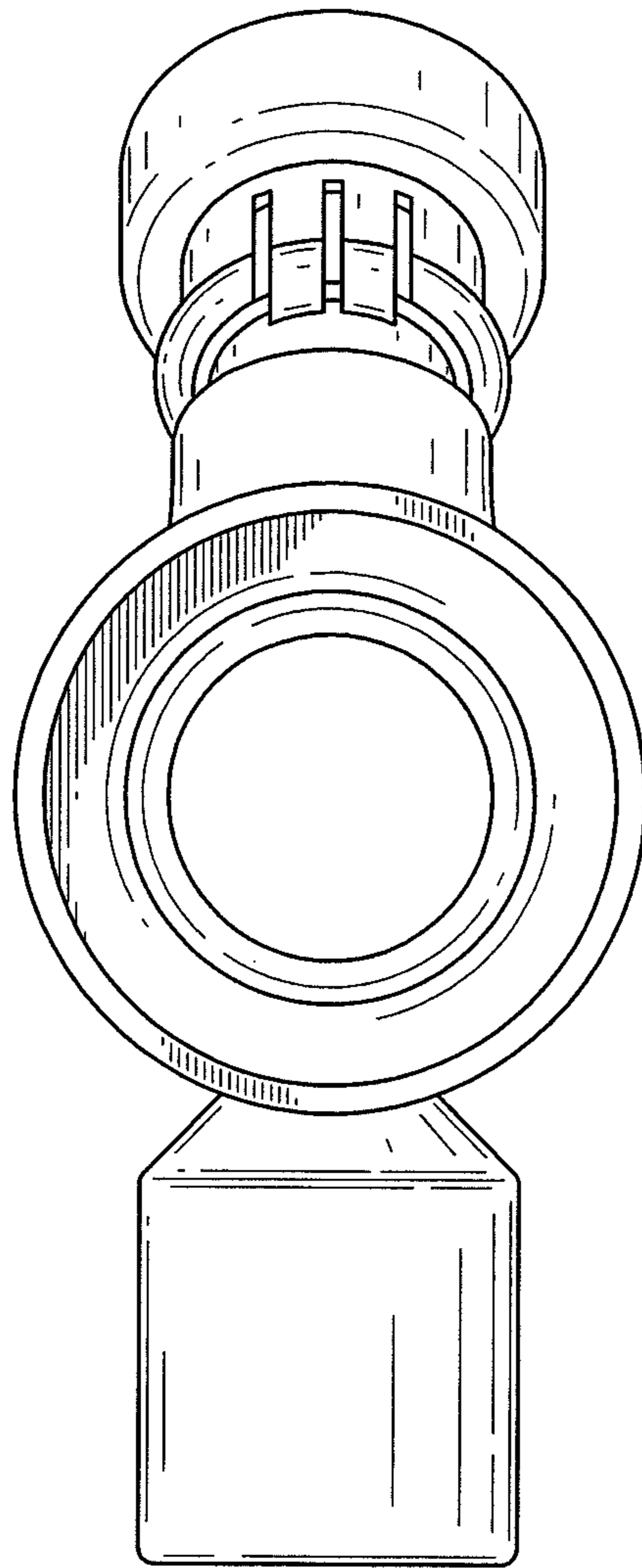


FIG.4

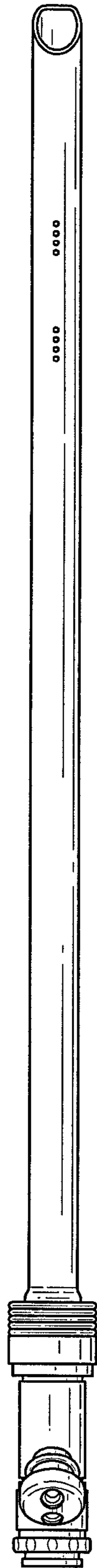


FIG.5

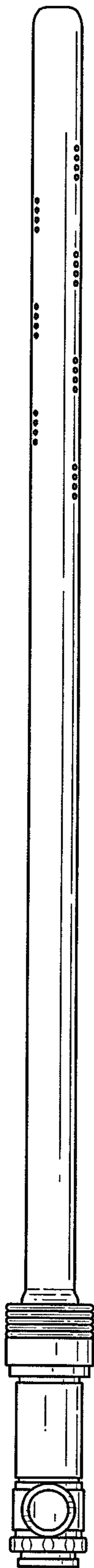


FIG.6

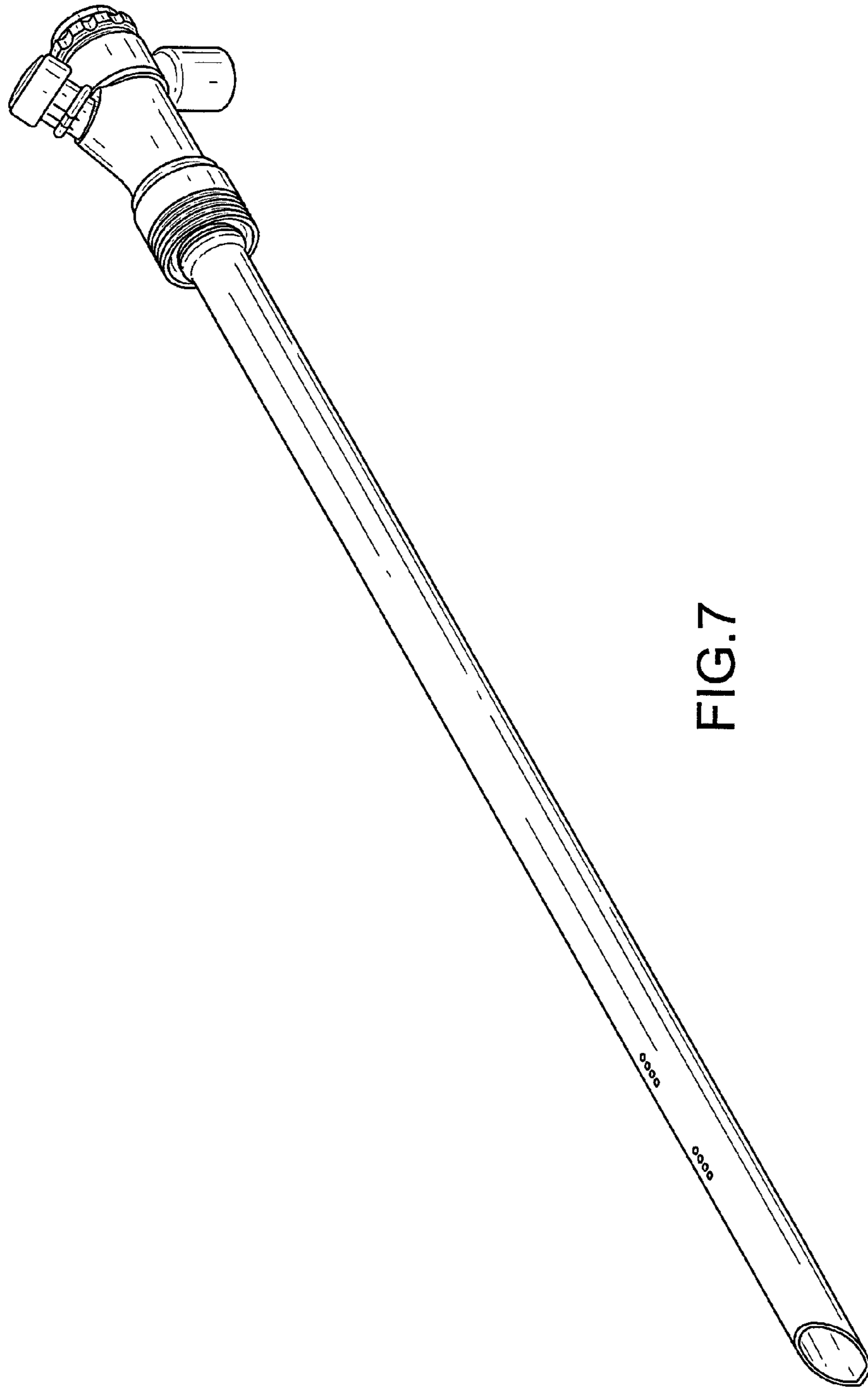


FIG. 7