



US00D729383S

(12) **United States Design Patent**
Wilkerson

(10) **Patent No.:** **US D729,383 S**

(45) **Date of Patent:** **** May 12, 2015**

(54) **OSTOMY PROTECTOR**

(71) Applicant: **Aleta Wilkerson**, Calimesa, CA (US)

(72) Inventor: **Aleta Wilkerson**, Calimesa, CA (US)

(**) Term: **14 Years**

(21) Appl. No.: **29/438,477**

(22) Filed: **Nov. 30, 2012**

(51) **LOC (10) Cl.** **24-02**

(52) **U.S. Cl.**
USPC **D24/118**

(58) **Field of Classification Search**
USPC D24/118, 127, 108, 128, 111; 604/317,
604/327, 408, 403, 108, 339, 92, 415, 410,
604/332, 333; 128/DIG. 24; 383/22, 23, 35;
D9/707, 709, 696; 206/219; D18/56;
D3/215, 224, 225, 226, 230

See application file for complete search history.

(56) **References Cited**

U.S. PATENT DOCUMENTS

2,448,225	A *	8/1948	Malloy	232/17
3,325,091	A *	6/1967	Marillo	232/17
D265,264	S *	6/1982	Yeh	D99/33
4,439,191	A	3/1984	Hogan		
4,610,463	A	9/1986	Efrom		
4,983,171	A	1/1991	Schirmer		
D344,630	S *	3/1994	Doerksen	D3/230
5,333,782	A *	8/1994	Frauenberger	232/28
D368,581	S *	4/1996	Cincotta	D3/218
D380,086	S *	6/1997	Brassard	D3/215

5,795,030	A	8/1998	Becker		
D412,059	S *	7/1999	White et al.	D3/215
D425,303	S *	5/2000	Klonowski	D3/303
6,112,961	A *	9/2000	Phillips	224/222
D453,067	S *	1/2002	Cody	D3/215
6,576,808	B1	6/2003	Dreyer		
D533,995	S *	12/2006	Booth	D3/224
D651,790	S *	1/2012	Groves	D3/203.5
2005/0107758	A1	5/2005	Hogan et al.		

OTHER PUBLICATIONS

Ostomy Protector, May 16, 2013, <http://ostomyprotector.com/>.*

* cited by examiner

Primary Examiner — David Muller

Assistant Examiner — Nathan Johnston

(74) *Attorney, Agent, or Firm* — Buckingham, Doolittle & Burroughs, LLC

(57) **CLAIM**

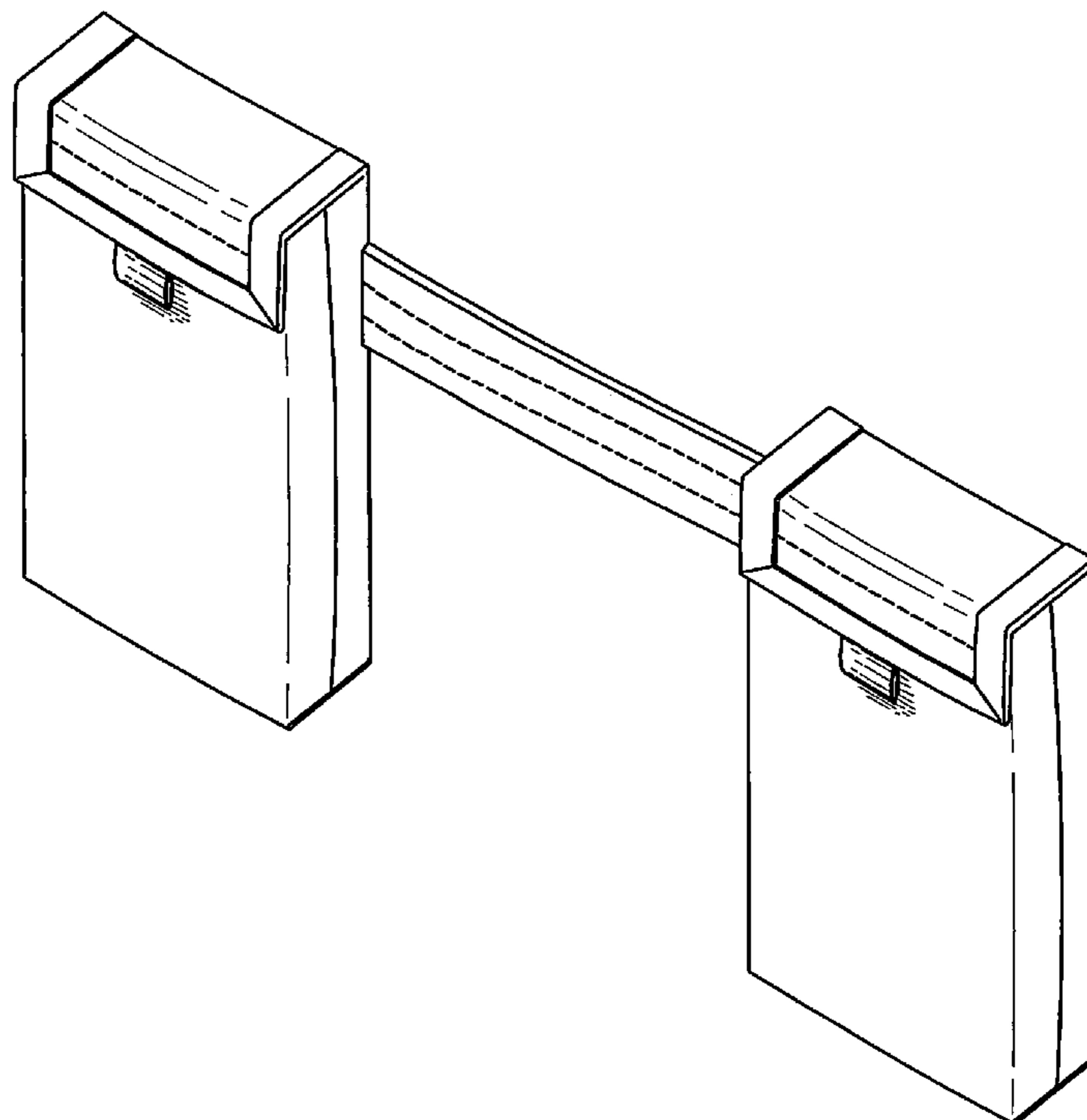
I claim the ornamental design for an ostomy protector, as shown and described.

DESCRIPTION

FIG. 1 is a front perspective view of the ostomy protector; FIG. 2 is a rear perspective view thereof; FIG. 3 is a front elevation view thereof; FIG. 4 is a rear elevation view thereof; FIG. 5 is a top plan view thereof; FIG. 6 is a bottom plan view thereof; FIG. 7 is a side elevation view thereof; and, FIG. 8 is a side elevation view thereof.

The broken line showing of parts of the drawings is included for the purpose of illustrating use and environment and forms no part of the claimed design.

1 Claim, 6 Drawing Sheets



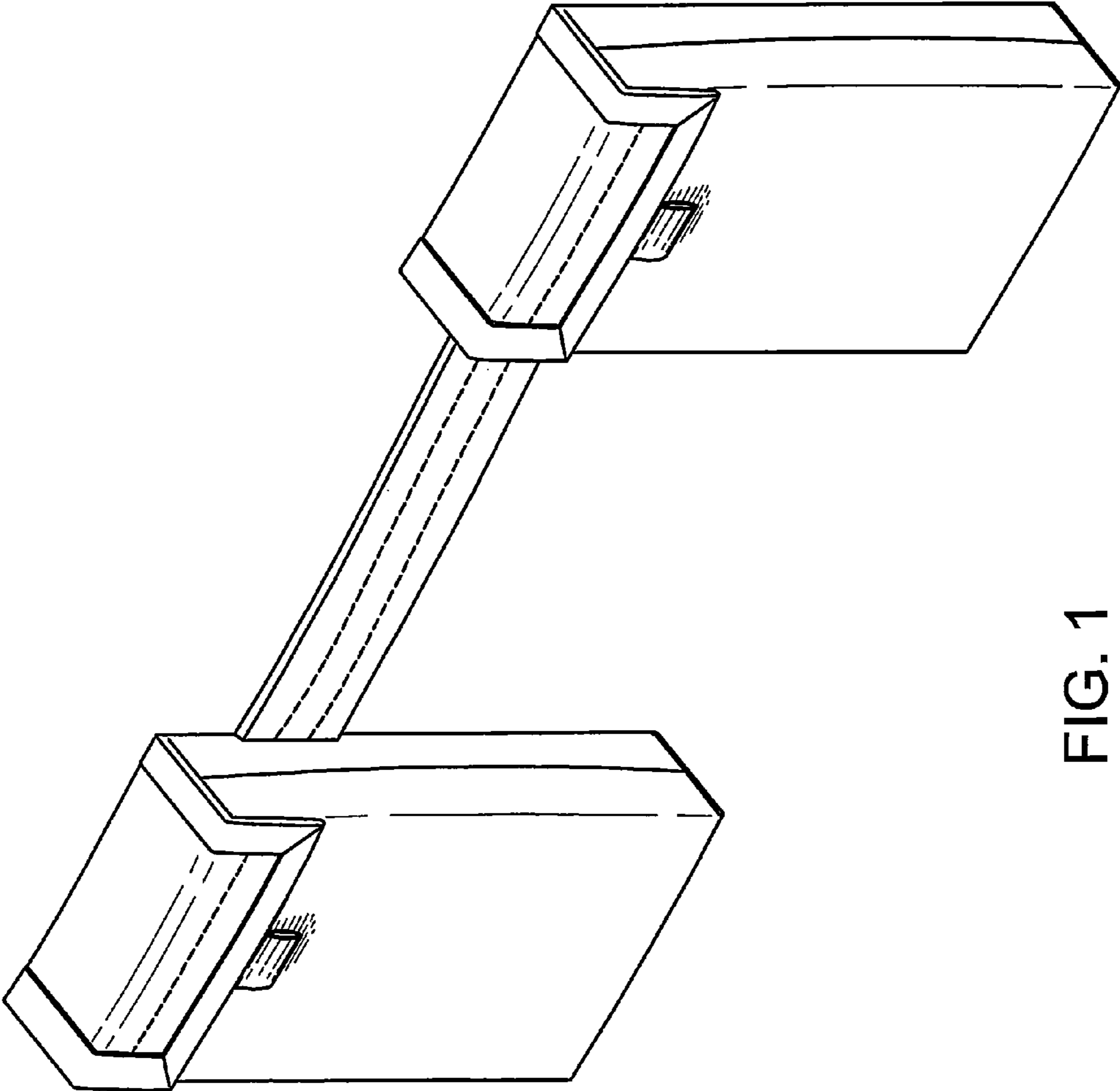


FIG. 1

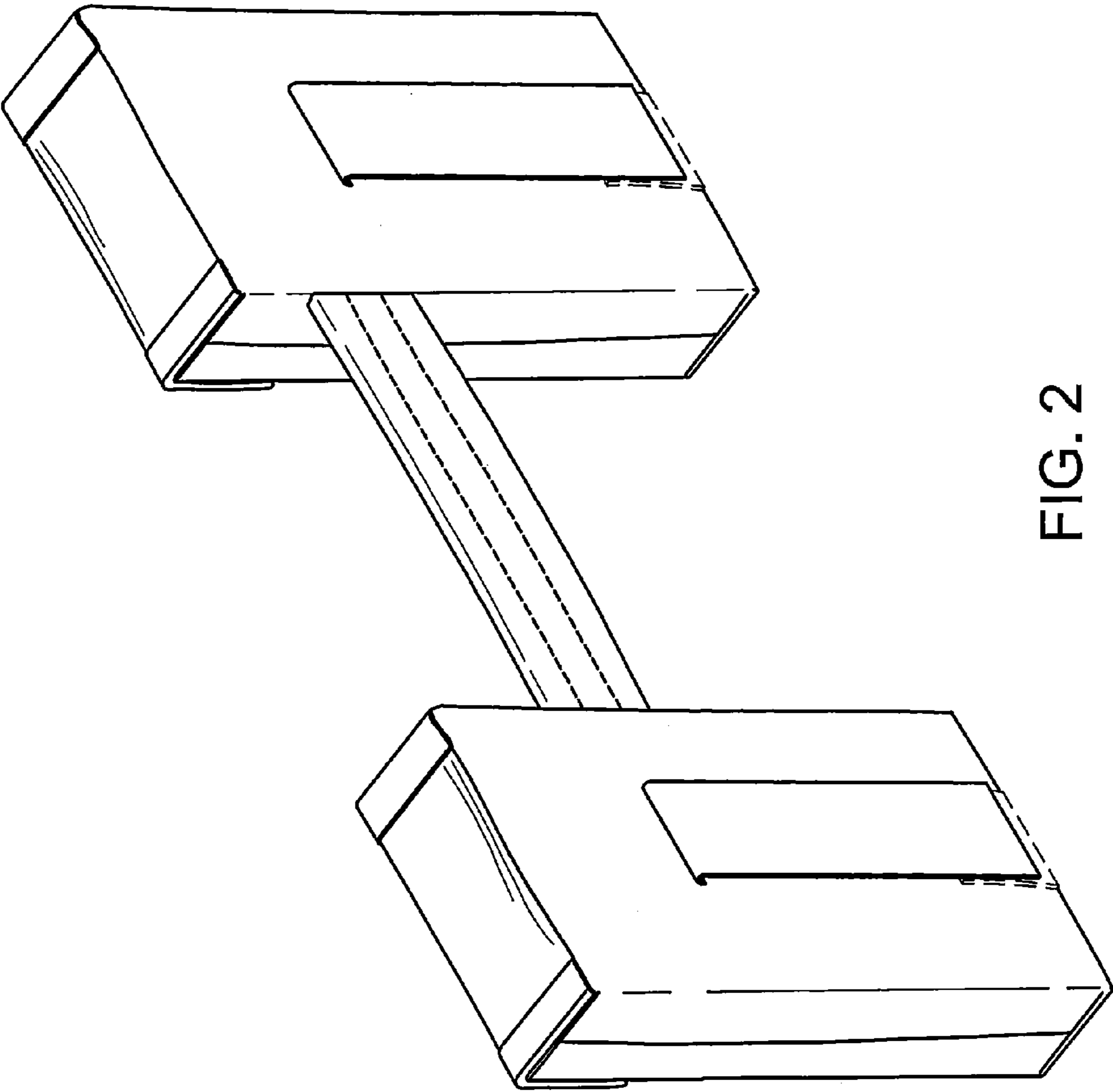


FIG. 2

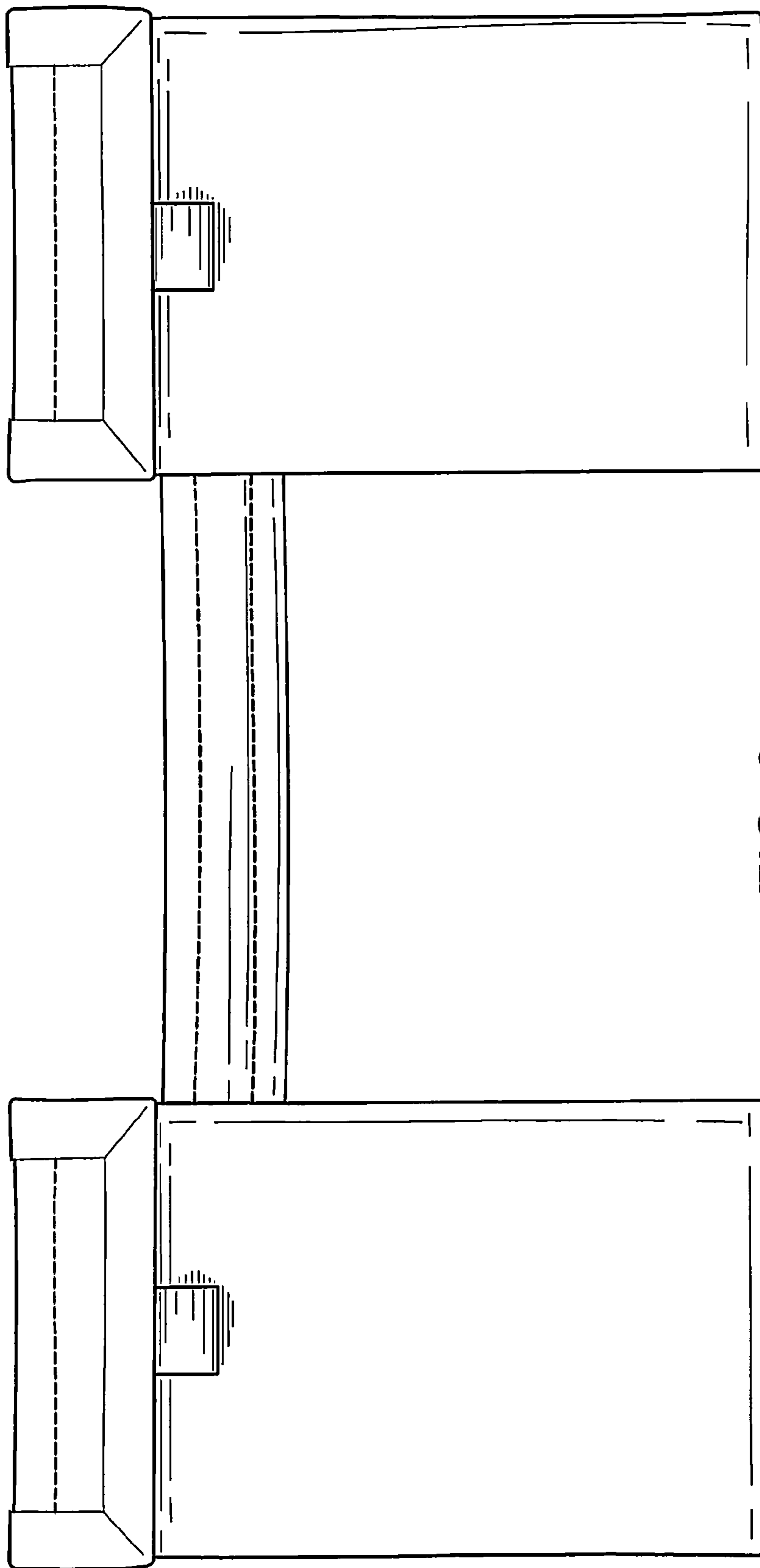


FIG. 3

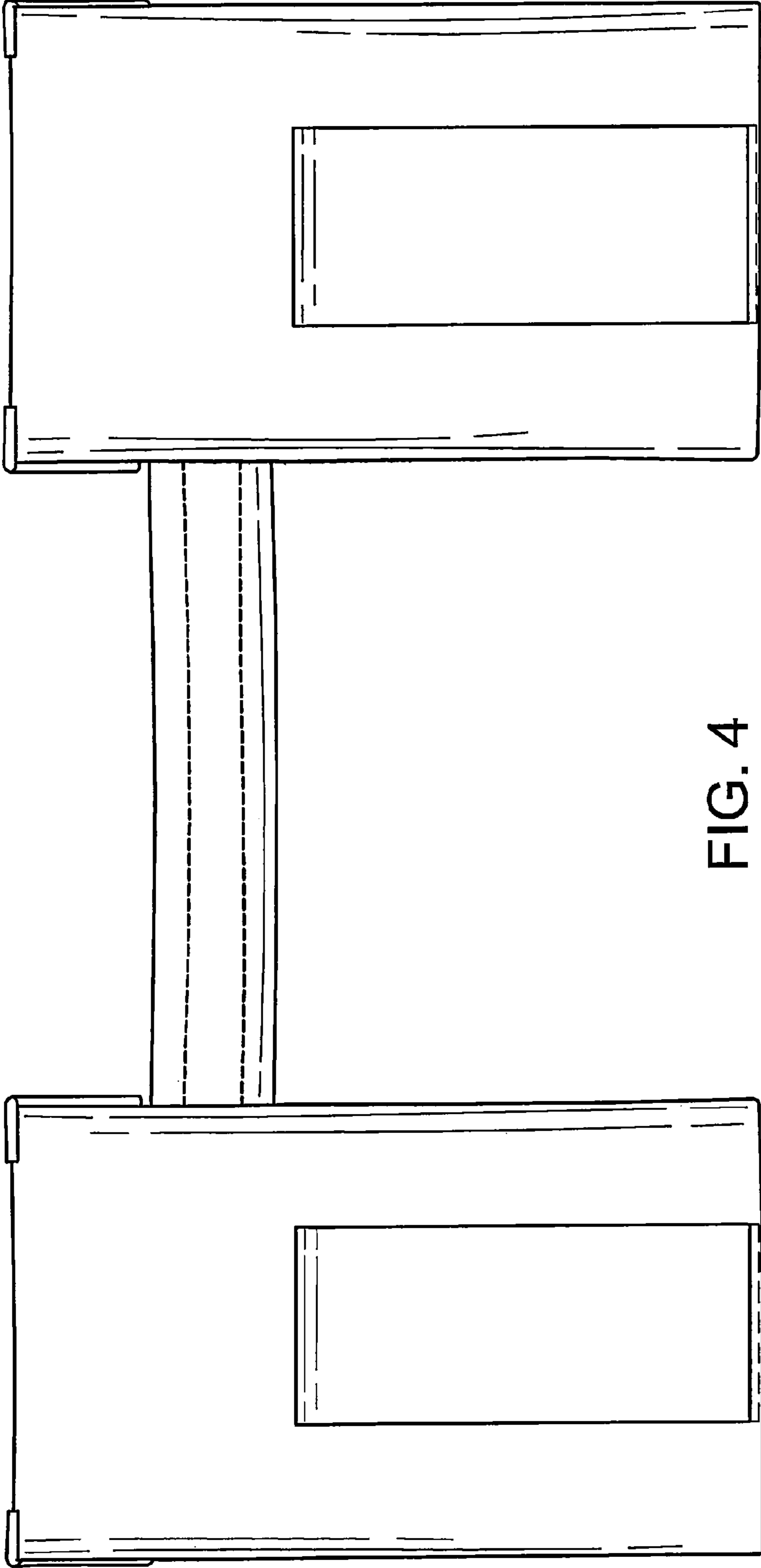


FIG. 4

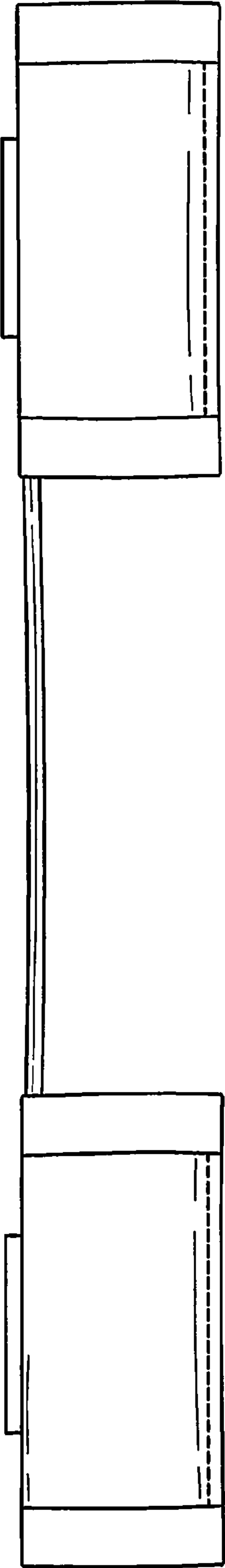


FIG. 5

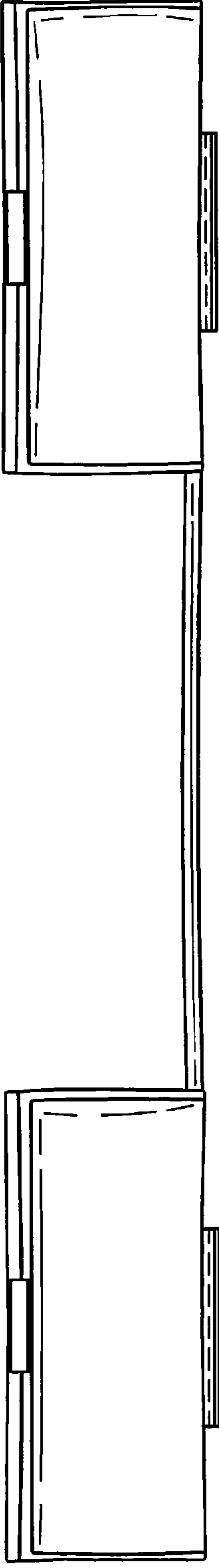


FIG. 6

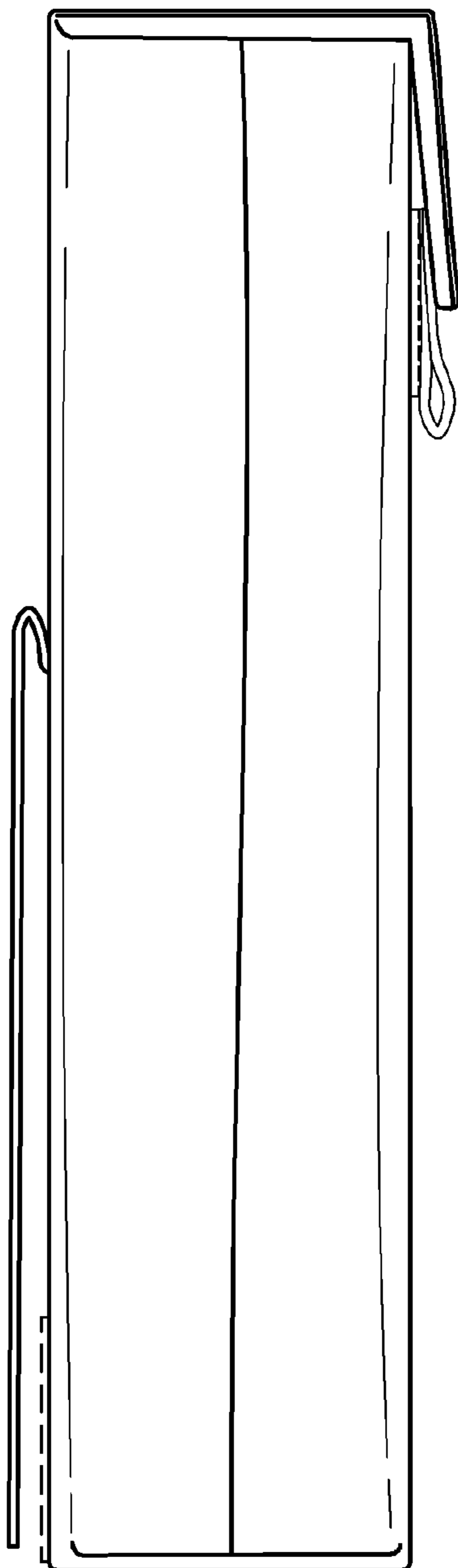


FIG. 7

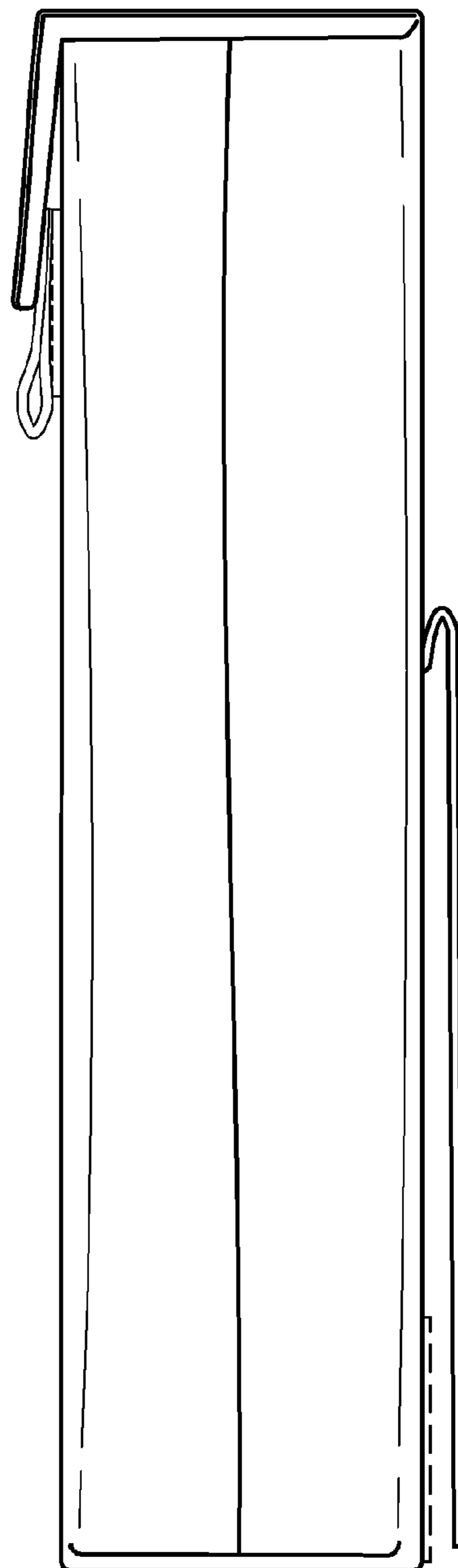


FIG. 8