



US00D729378S

(12) **United States Design Patent**
Autrey

(10) **Patent No.:** **US D729,378 S**

(45) **Date of Patent:** **** May 12, 2015**

(54) **CAMPFIRE SUPPORT**

(71) Applicant: **William P. Autrey**, Riva, MD (US)

(72) Inventor: **William P. Autrey**, Riva, MD (US)

(**) Term: **14 Years**

(21) Appl. No.: **29/451,620**

(22) Filed: **Apr. 4, 2013**

(51) **LOC (10) Cl.** **23-04**

(52) **U.S. Cl.**
USPC **D23/398**

(58) **Field of Classification Search**
CPC A47J 37/07; A47J 33/00; A47J 37/0763;
F24B 1/205; E04H 15/24; A01G 9/12
USPC D23/397-403, 406, 386, 347;
126/540-543, 25 R, 29, 500, 519;
135/100, 143; D7/332, 334; D6/405,
D6/349, 352; 47/44-47, 181.1; D8/1
See application file for complete search history.

(56) **References Cited**

U.S. PATENT DOCUMENTS

4,732,138	A *	3/1988	Vos	126/25 A
4,838,292	A *	6/1989	Allen	135/100
4,838,293	A *	6/1989	Novak	135/100
5,025,715	A *	6/1991	Sir	99/421 HV
5,179,799	A *	1/1993	Hillestad	47/45
5,423,148	A *	6/1995	Thornhill	47/29.1
D359,929	S *	7/1995	Thornhill	D11/143
5,439,016	A *	8/1995	Grahn	135/100
5,595,019	A *	1/1997	Foreman	47/47
5,809,989	A *	9/1998	Nelson	126/544

D413,233	S *	8/1999	Allison	D8/1
6,349,502	B1 *	2/2002	Fernandez	47/45
6,711,993	B2 *	3/2004	Robertson	99/448
6,868,849	B1 *	3/2005	Endres	126/25 A
D517,681	S *	3/2006	Butler	D23/403
D535,828	S *	1/2007	Gasca Burges	D6/349
D624,330	S *	9/2010	Wing	D6/405
8,567,120	B2 *	10/2013	Davis et al.	47/44
D701,953	S *	4/2014	Hills	D23/403
D712,170	S *	9/2014	Orlandini et al.	D6/349

* cited by examiner

Primary Examiner — David Muller

(74) *Attorney, Agent, or Firm* — Rahman LLC

(57) **CLAIM**

The ornamental design for a campfire support, as shown and described.

DESCRIPTION

FIG. 1 is a perspective view of a first embodiment of a campfire support;
 FIG. 2 is a side view of the campfire support of FIG. 1;
 FIG. 3 is another side view of the campfire support of FIG. 1;
 FIG. 4 is a top view of the campfire support of FIG. 1;
 FIG. 5 is a bottom view of the campfire support of FIG. 1;
 FIG. 6 is a perspective view of a second embodiment of a campfire support;
 FIG. 7 is a side view of the campfire support of FIG. 6;
 FIG. 8 is another side view of the campfire support of FIG. 6;
 FIG. 9 is a top view of the campfire support of FIG. 6; and,
 FIG. 10 is a bottom view of the campfire support of FIG. 6.

1 Claim, 10 Drawing Sheets

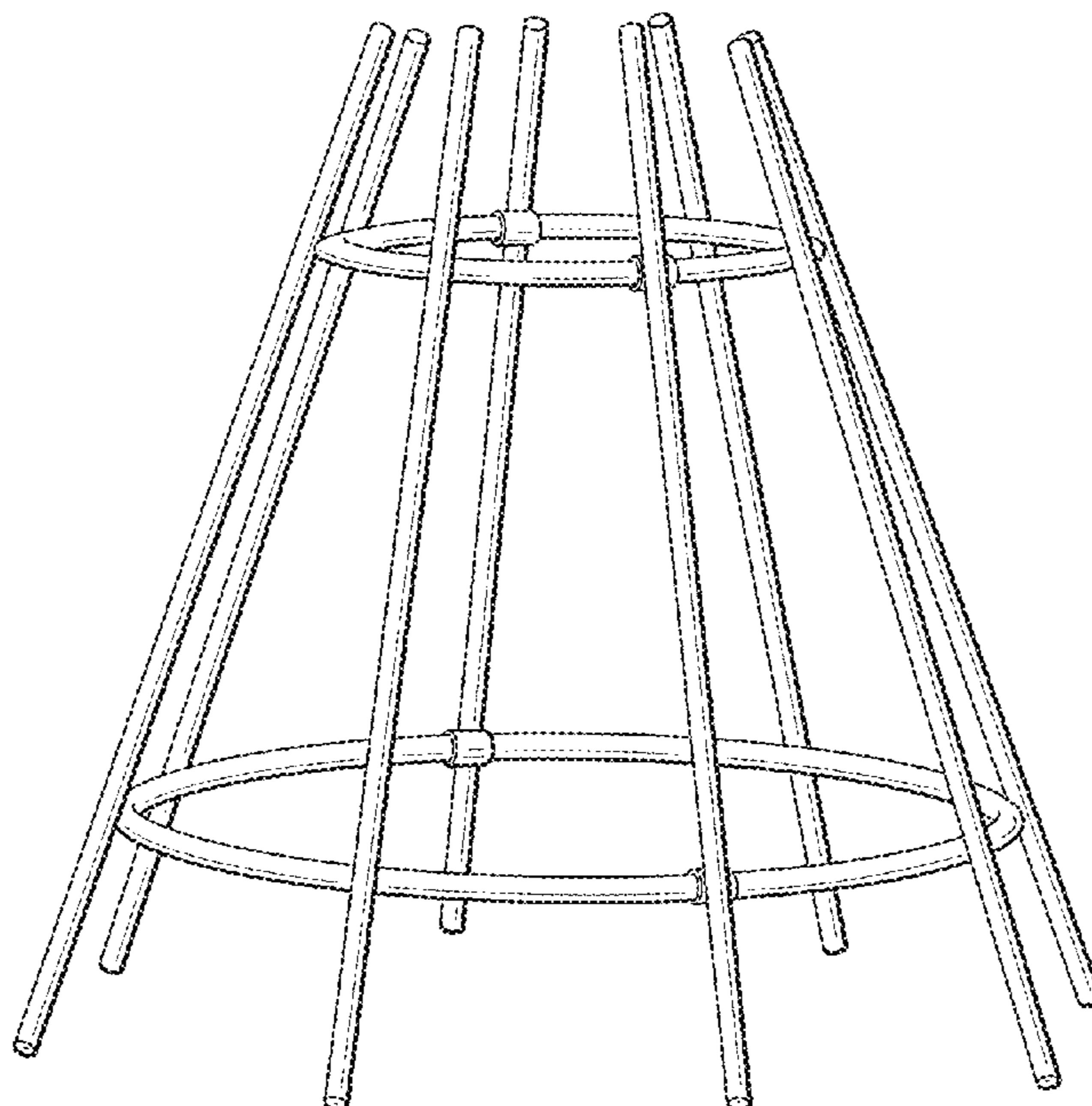


FIG. 1

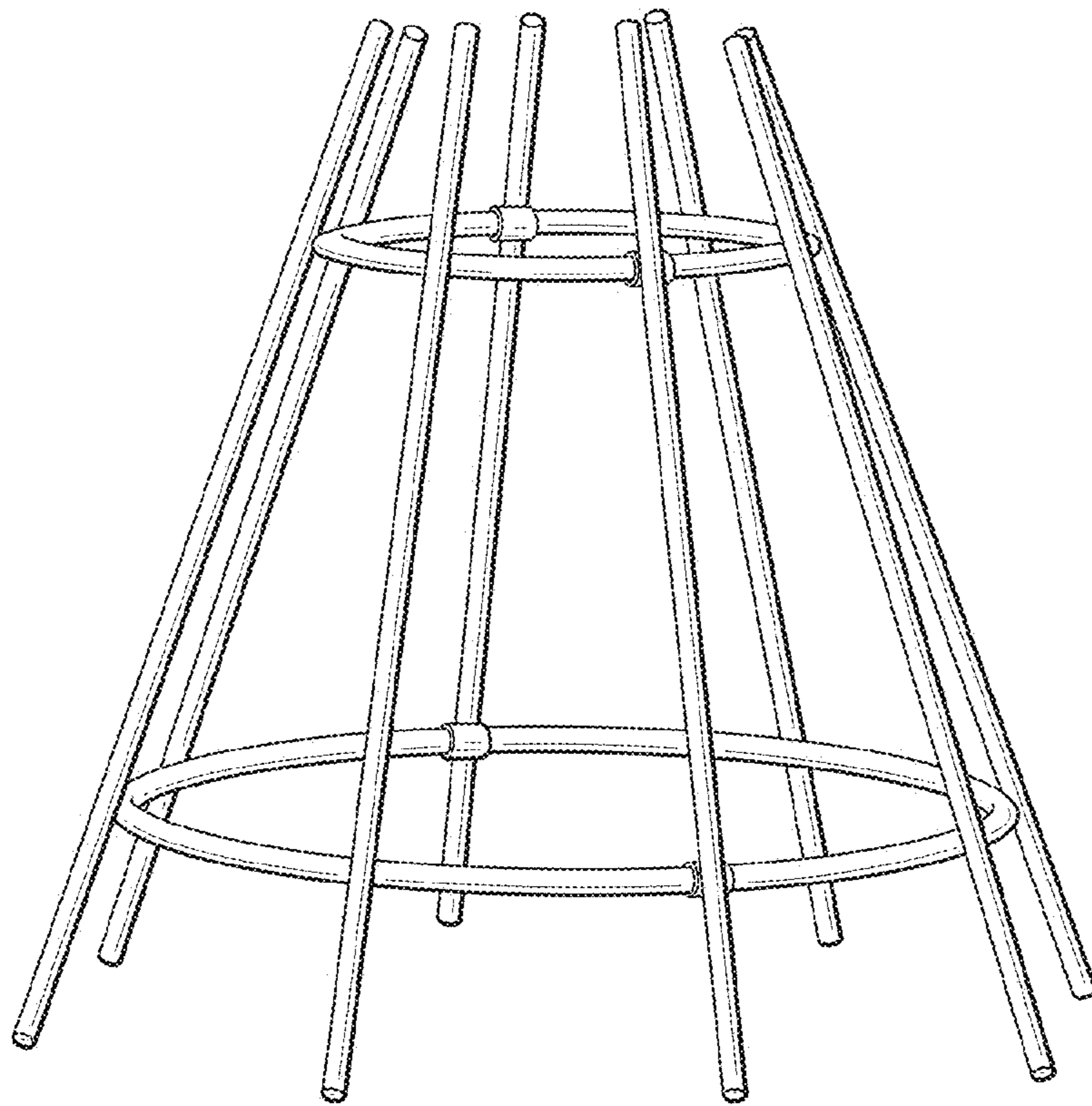


FIG. 2

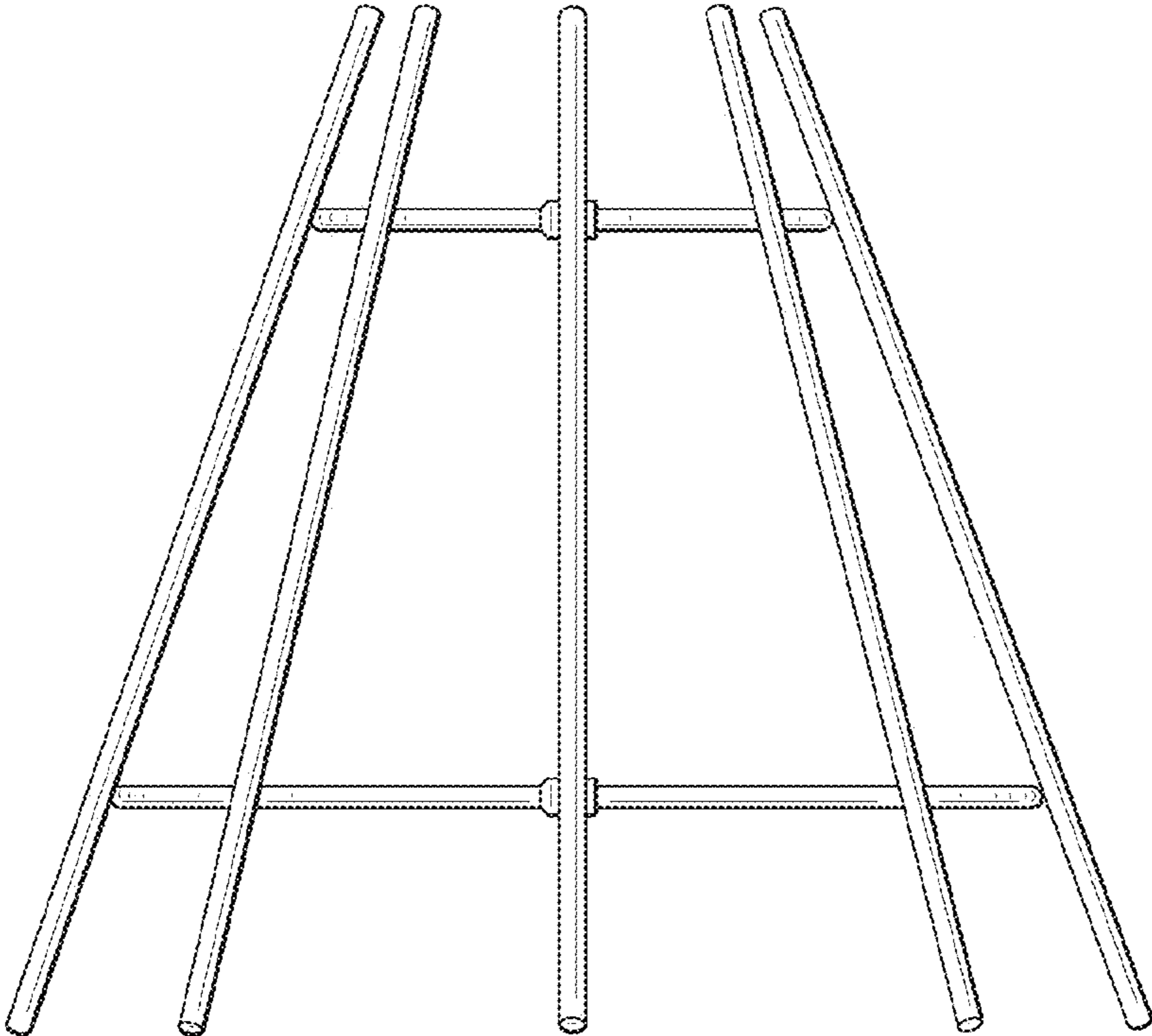


FIG. 3

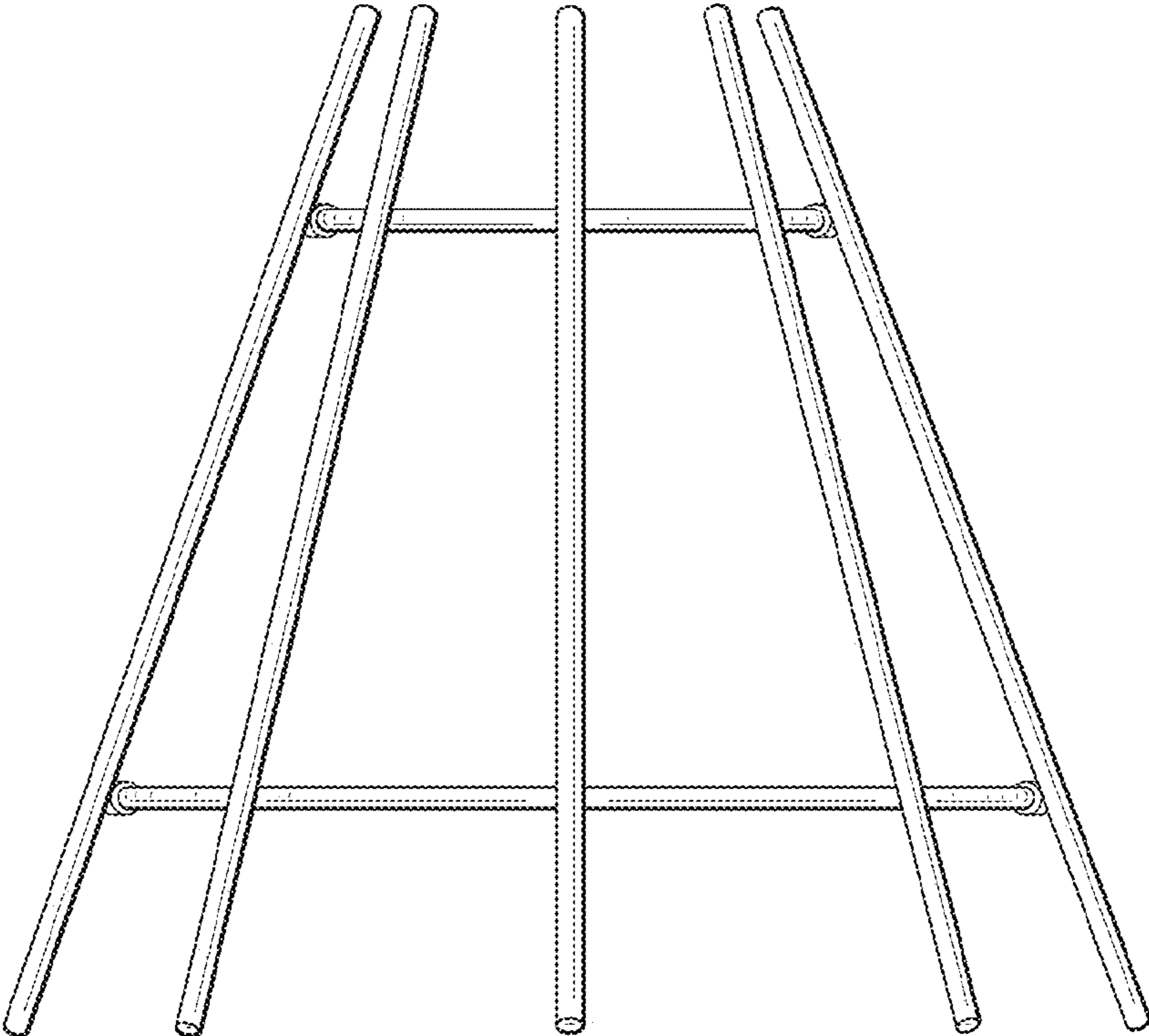


FIG. 4

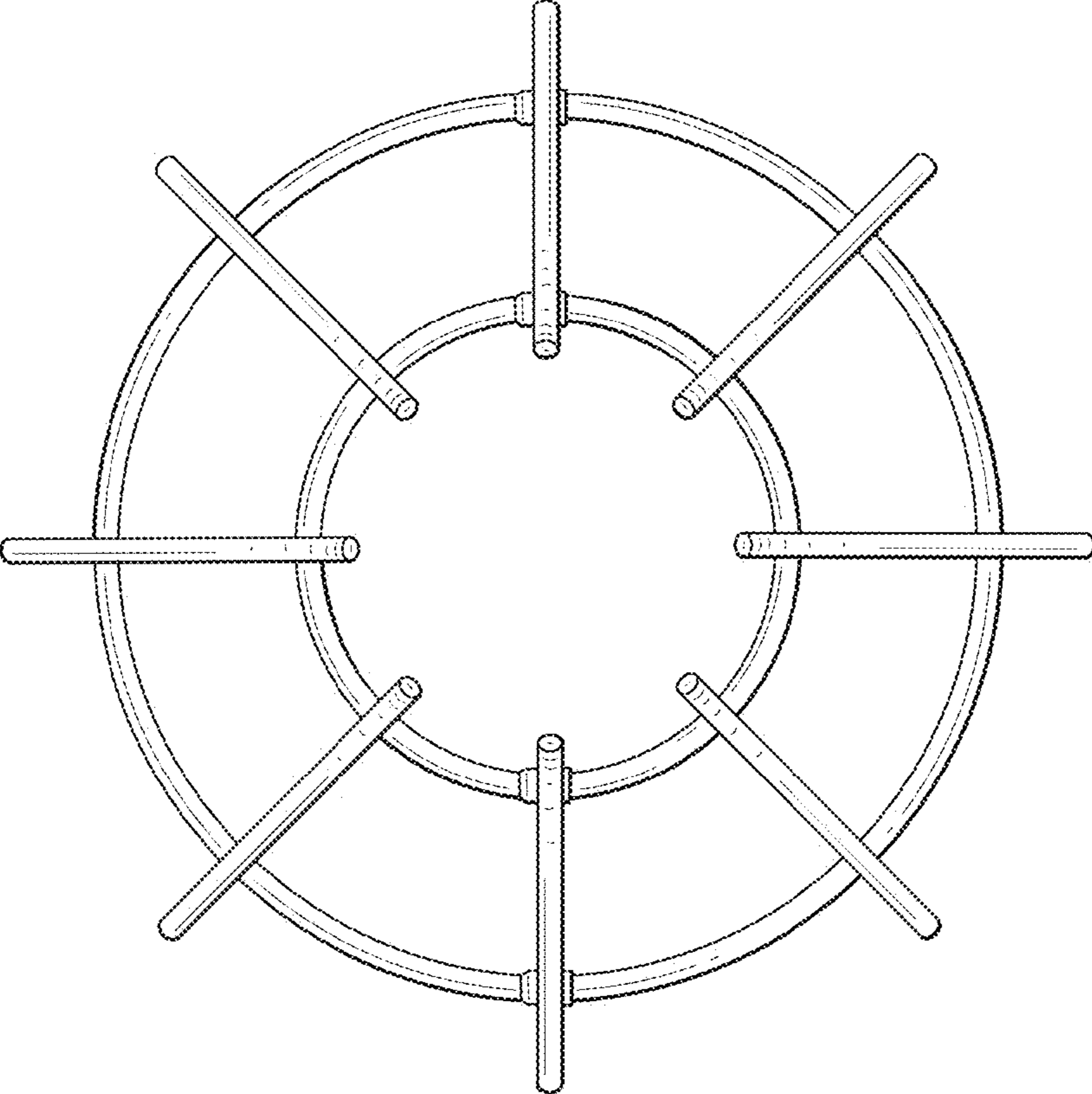


FIG. 5

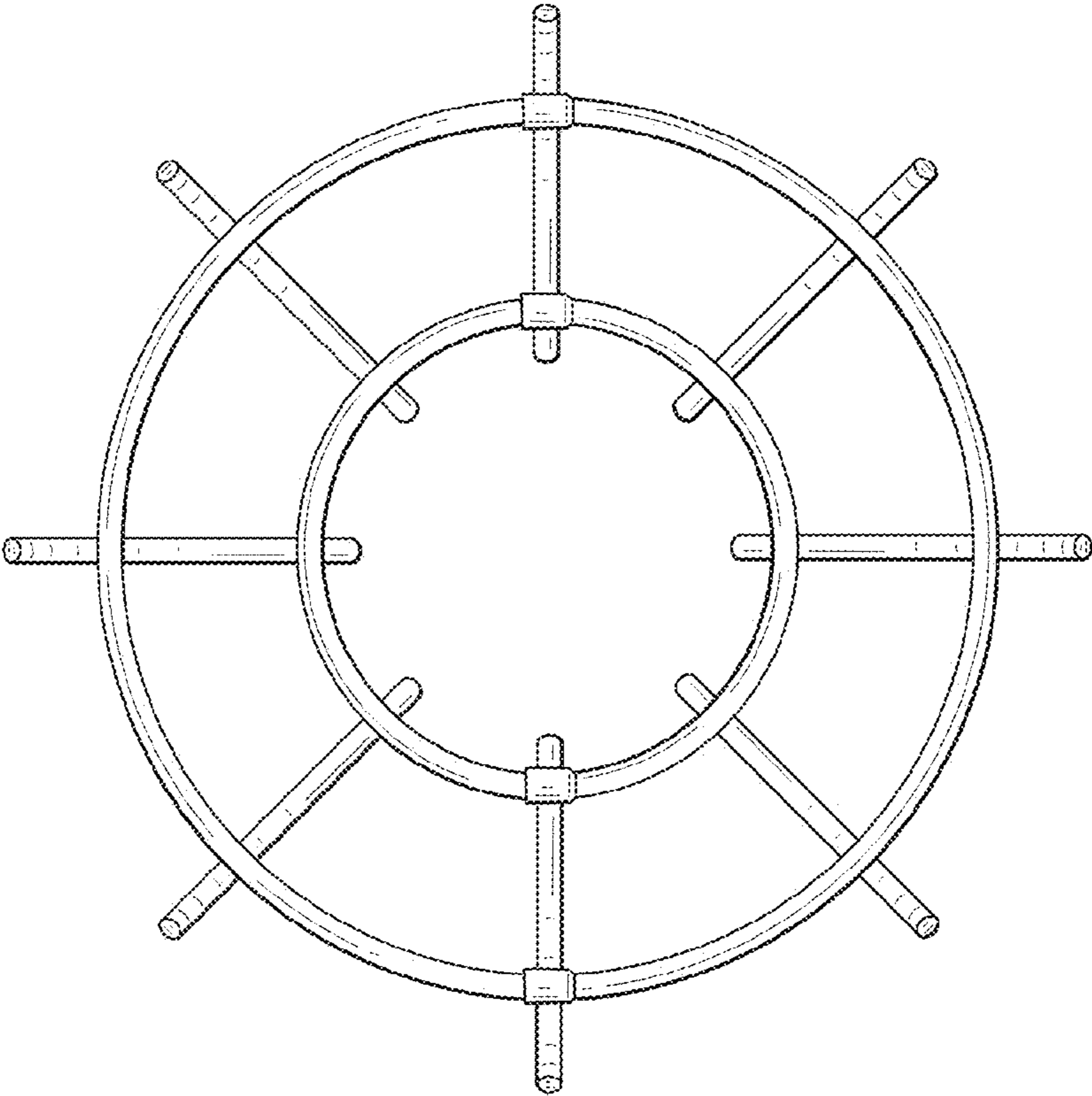


FIG. 6

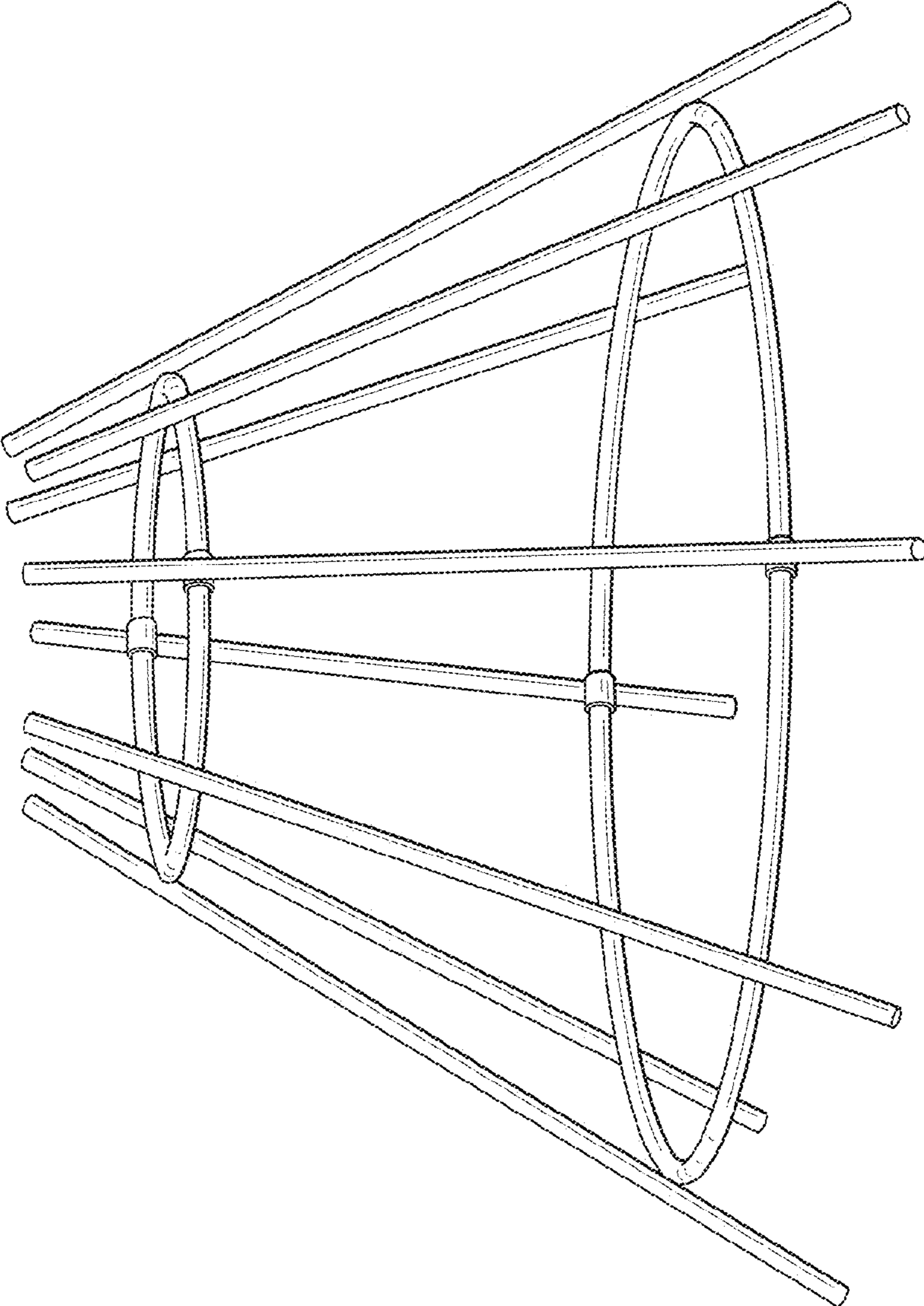


FIG. 7

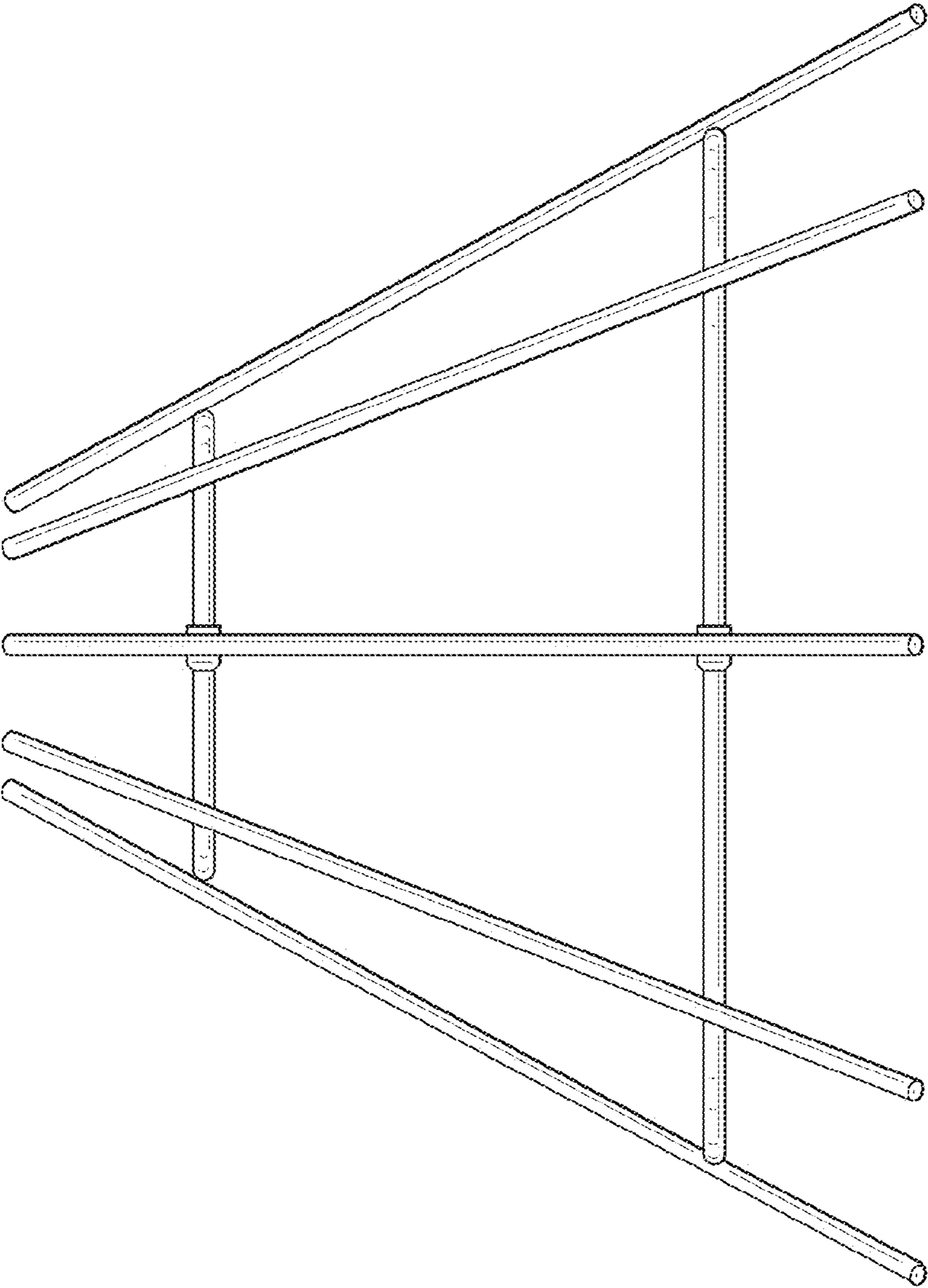
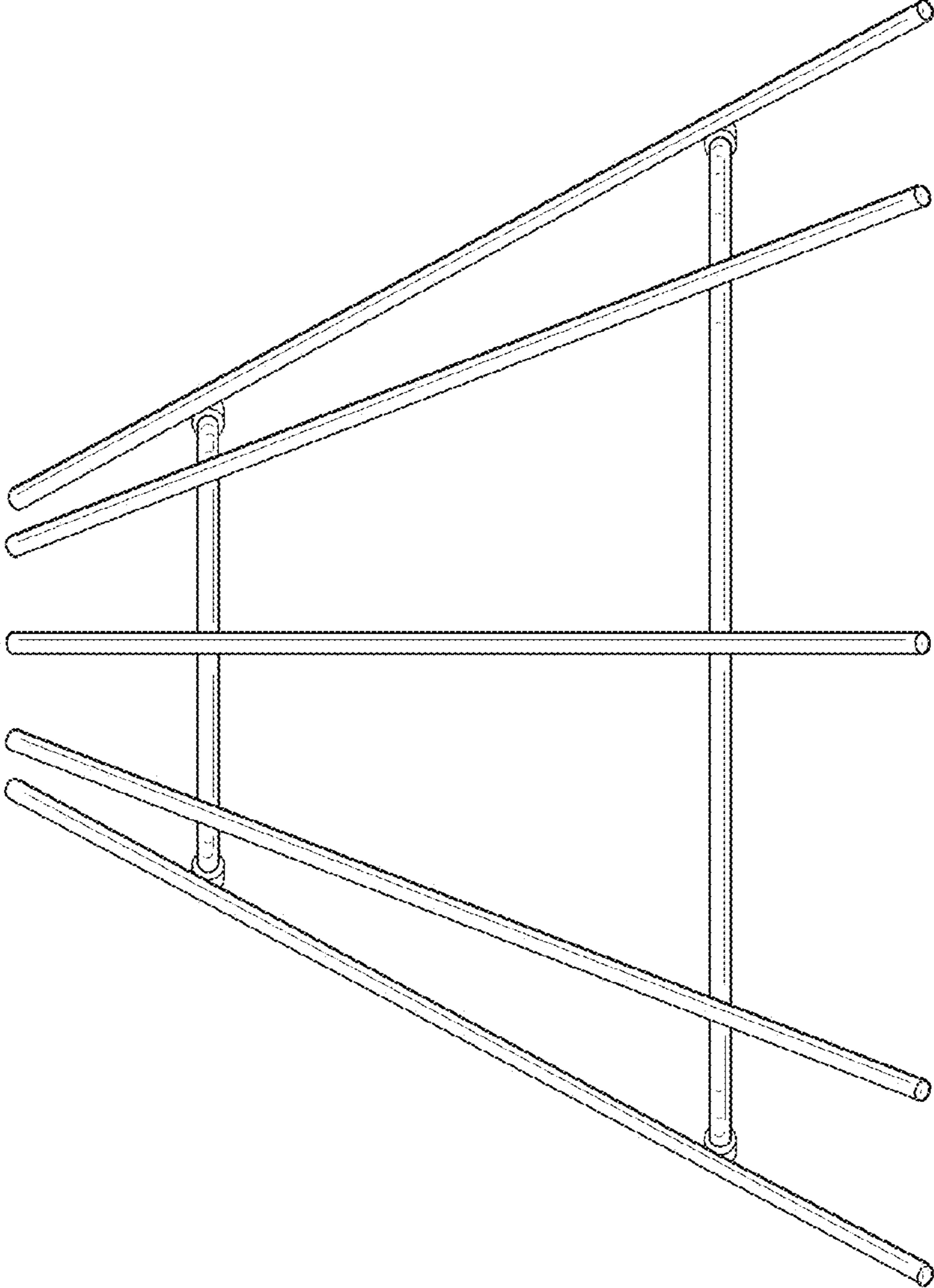


FIG. 8



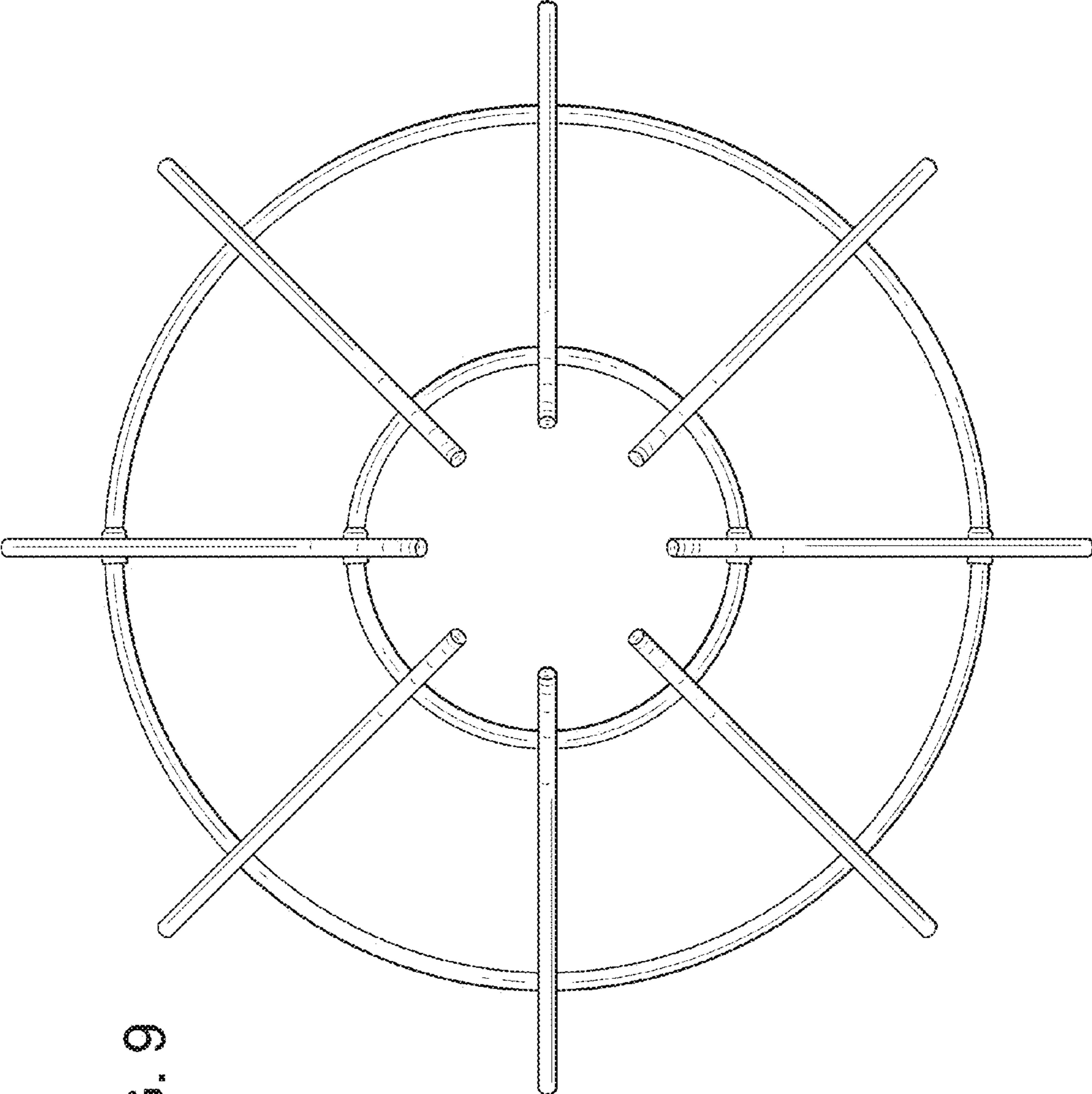


FIG. 9

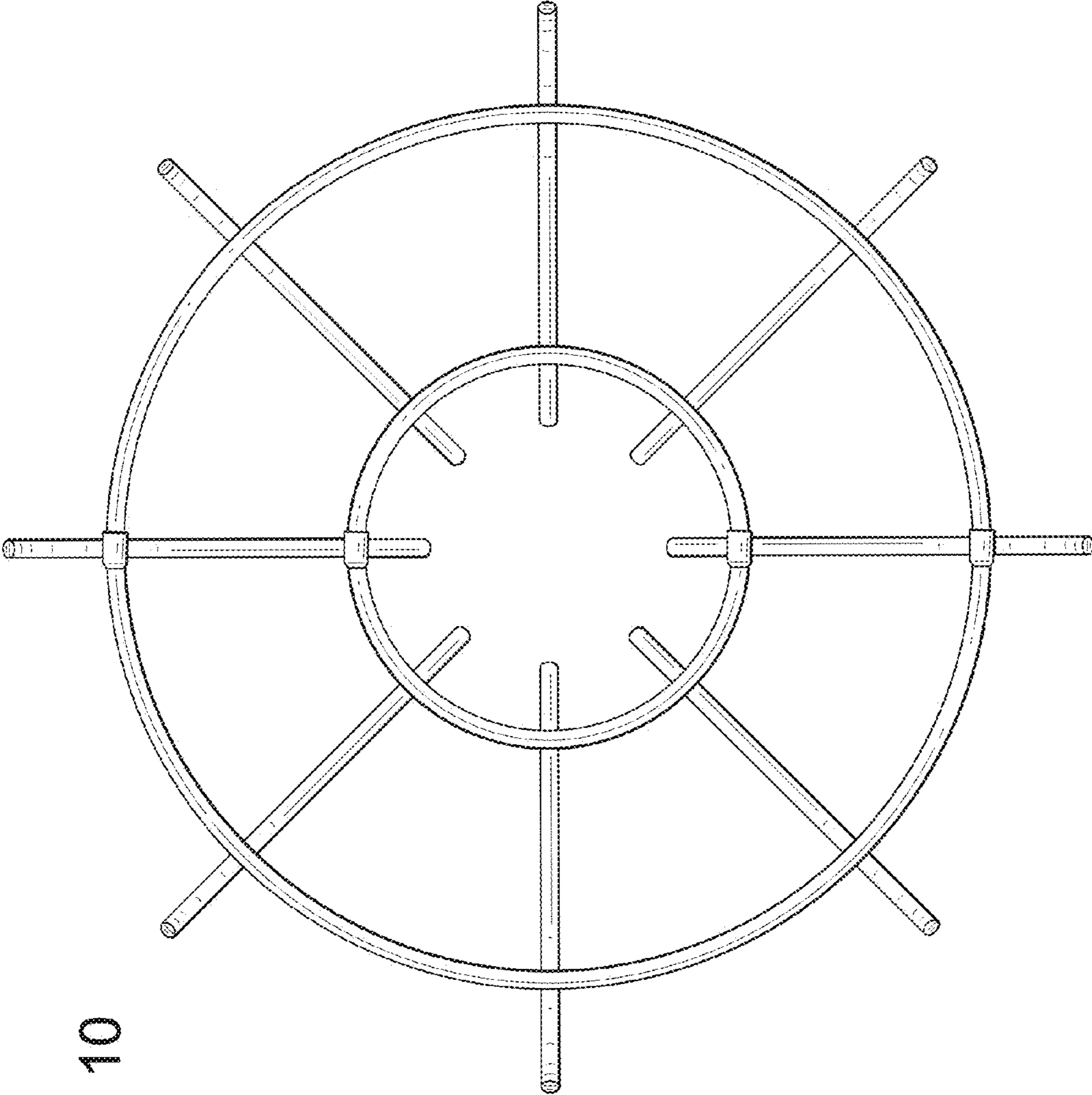


FIG. 10