



US00D729370S

(12) **United States Design Patent**
Chou

(10) **Patent No.:** **US D729,370 S**

(45) **Date of Patent:** **** May 12, 2015**

- (54) **SCENT WARMER**
- (71) Applicant: **Ming Jen Hsiao**, Miaoli County (TW)
- (72) Inventor: **Cheng Yen Chou**, Taipei (TW)
- (73) Assignee: **Ming Jen Hsiao**, Miaoli County (TW)
- (**) Term: **14 Years**
- (21) Appl. No.: **29/509,650**
- (22) Filed: **Nov. 19, 2014**
- (51) **LOC (10) Cl.** **28-99**
- (52) **U.S. Cl.**
USPC **D23/366**
- (58) **Field of Classification Search**
USPC D23/355–369; D28/5, 6; 261/DIG. 17,
261/DIG. 42, DIG. 65, DIG. 88, DIG. 89;
392/386, 390, 394, 395, 397; 239/34,
239/44, 53, 55, 56, 326
See application file for complete search history.

(56) **References Cited**

U.S. PATENT DOCUMENTS

2,775,006	A *	12/1956	Kranc	422/125
D288,842	S *	3/1987	Kwiatkowski	D23/366
D292,311	S *	10/1987	Joyaux et al.	D23/366
D318,613	S *	7/1991	Halm et al.	D32/29.1
D319,583	S *	9/1991	Halm et al.	D32/29.1
D319,781	S *	9/1991	Halm et al.	D32/29.1
D392,032	S *	3/1998	Zaragoza et al.	D23/369
D454,190	S *	3/2002	Trocola	D23/366
D475,445	S *	6/2003	Kumar	D23/366
D478,973	S *	8/2003	Wagner	D23/367
D484,229	S *	12/2003	Upton	D23/366
D484,585	S *	12/2003	Upton	D23/366
D509,890	S *	9/2005	Stavale et al.	D23/366
D509,893	S *	9/2005	Sevy	D23/366
D510,991	S *	10/2005	Harbutt et al.	D23/366
D522,118	S *	5/2006	Miro	D23/366

D535,376	S *	1/2007	Michaels et al.	D23/366
D536,081	S *	1/2007	Steinel	D23/366
D550,341	S *	9/2007	Di Robilant	D23/359
D579,163	S *	10/2008	Schablinger	D32/29.1
D611,587	S *	3/2010	Dineen	D23/366
D611,588	S *	3/2010	Jorgensen	D23/366
D621,495	S *	8/2010	Li	D23/366
D622,835	S *	8/2010	Mendheim	D23/364
D628,282	S *	11/2010	Espiritu, Jr.	D23/366
D631,535	S *	1/2011	Togawa et al.	D23/366
D637,275	S *	5/2011	Baraky	D23/366
D662,581	S *	6/2012	Savegnago	D23/366
D663,405	S *	7/2012	Browder	D23/366
D676,950	S *	2/2013	Angulo	D23/366
D692,547	S *	10/2013	Wirz	D23/366
D692,551	S *	10/2013	Wirz	D23/366
D696,763	S *	12/2013	Li	D23/366
D698,429	S *	1/2014	Jorgensen	D23/366
D698,909	S *	2/2014	Chou	D23/366
D698,910	S *	2/2014	Lin	D23/366
8,693,852	B2 *	4/2014	Baraky	392/386
D720,063	S *	12/2014	Li	D23/366
2003/0080197	A1 *	5/2003	Tuomikoski et al.	239/44

* cited by examiner

Primary Examiner — Sandra Snapp

(74) *Attorney, Agent, or Firm* — Ming Chow; Sinorica, LLC

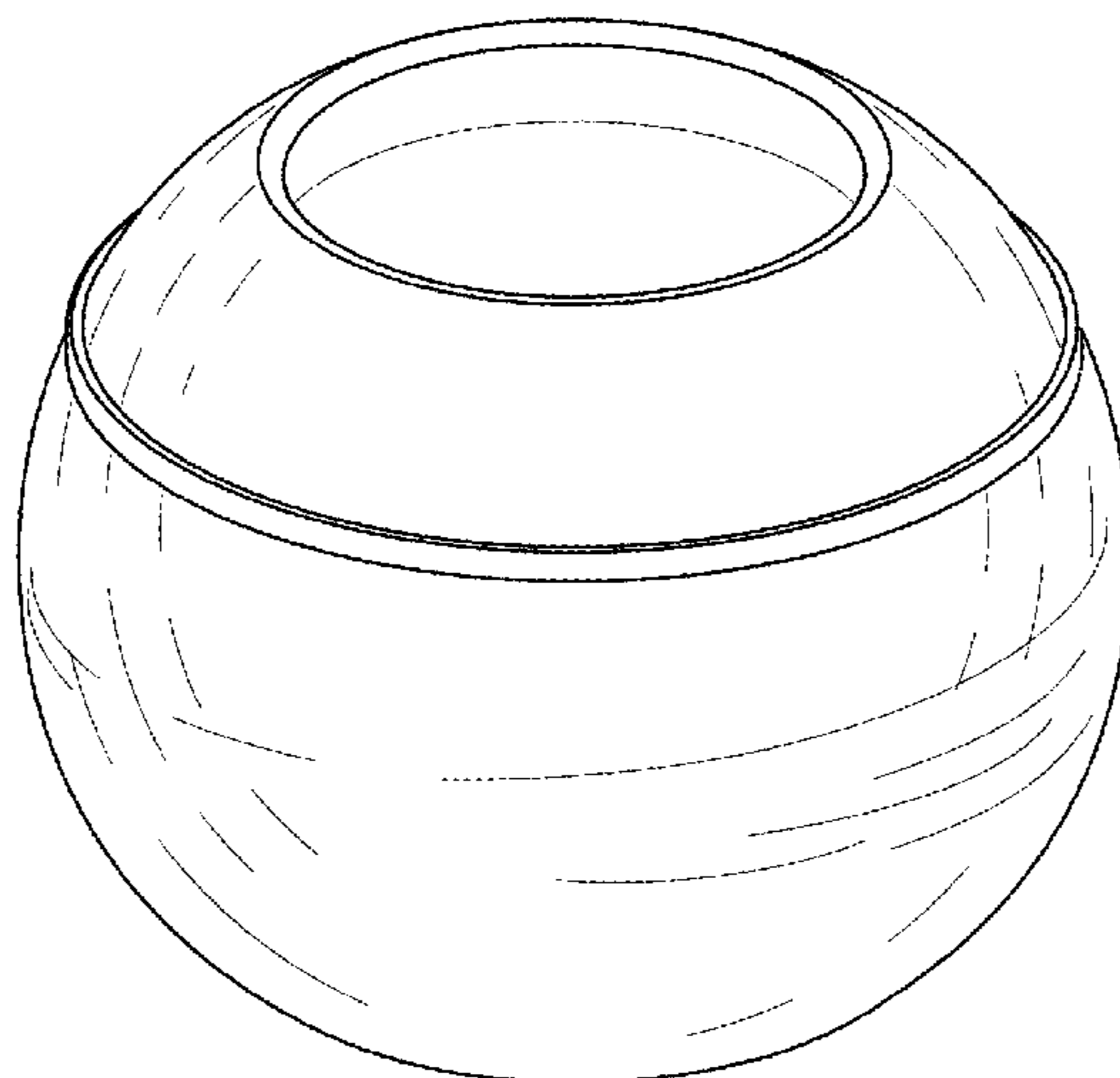
(57) **CLAIM**

The ornamental design for a scent warmer, as shown and described.

DESCRIPTION

FIG. 1 is a perspective view of a scent warmer showing my new design;
 FIG. 2 is a front view thereof;
 FIG. 3 is a rear view thereof;
 FIG. 4 is a left side view thereof;
 FIG. 5 is a right side view thereof;
 FIG. 6 is a top view thereof; and,
 FIG. 7 is a bottom view thereof.

1 Claim, 7 Drawing Sheets



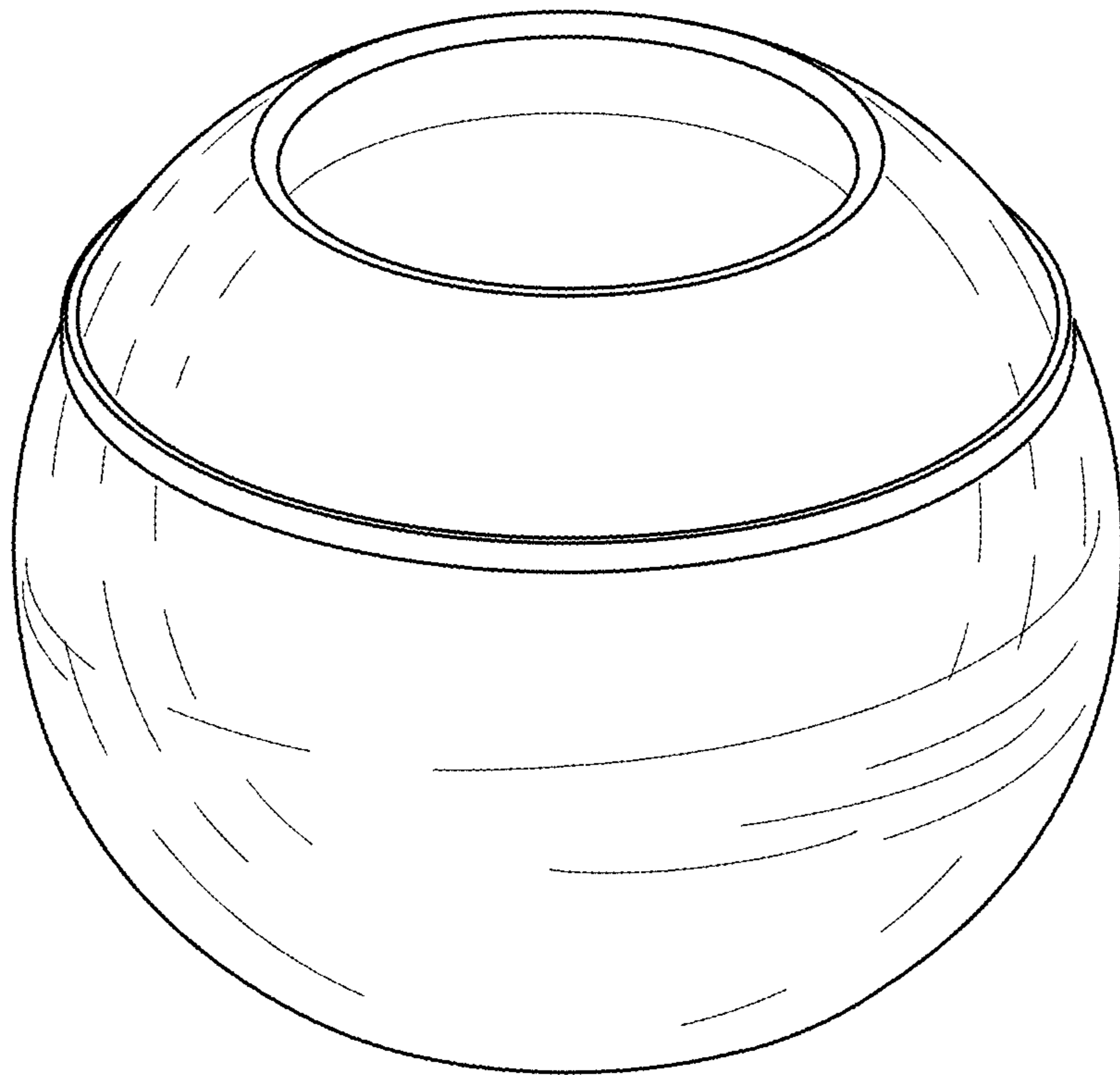


FIG. 1

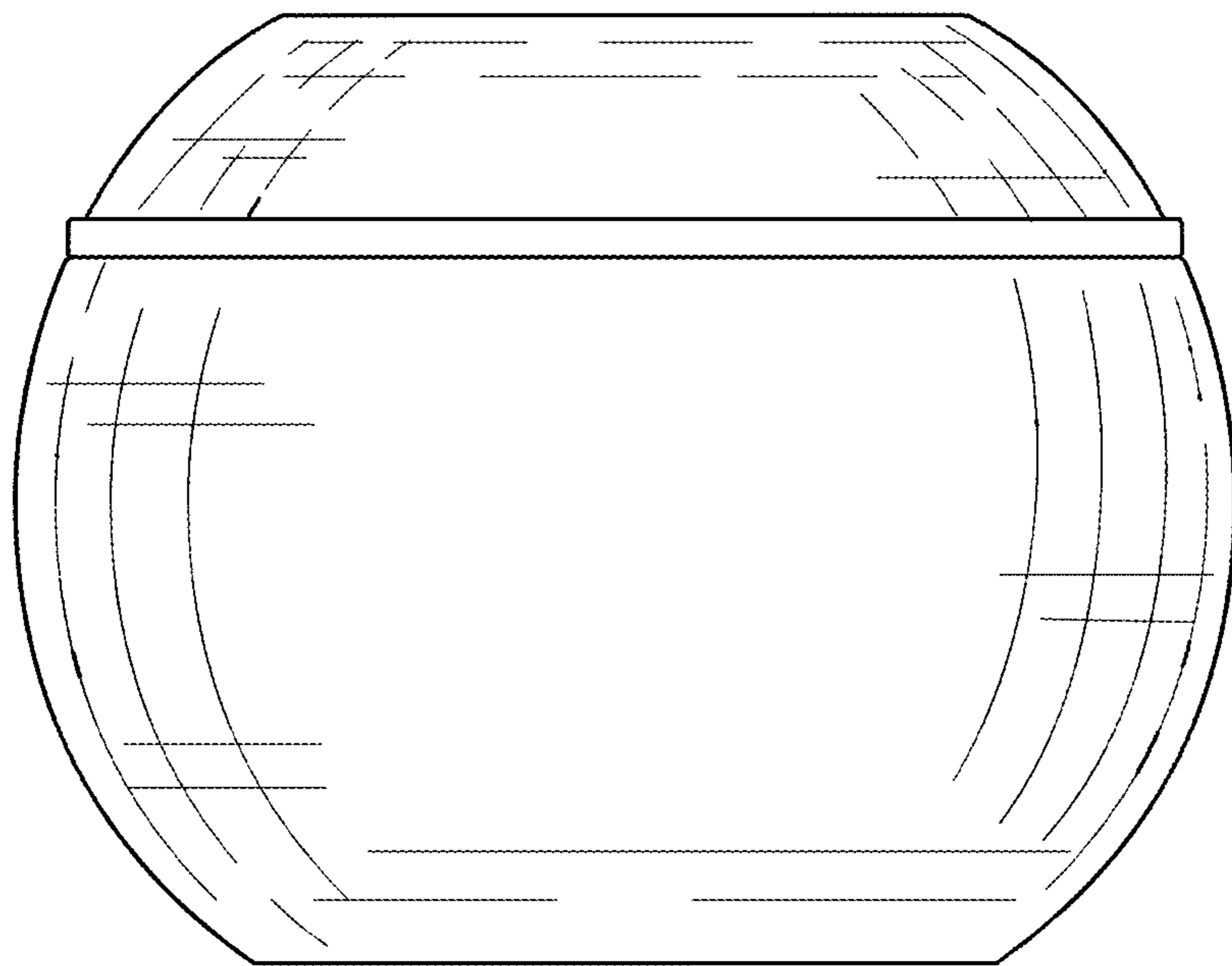


FIG. 2

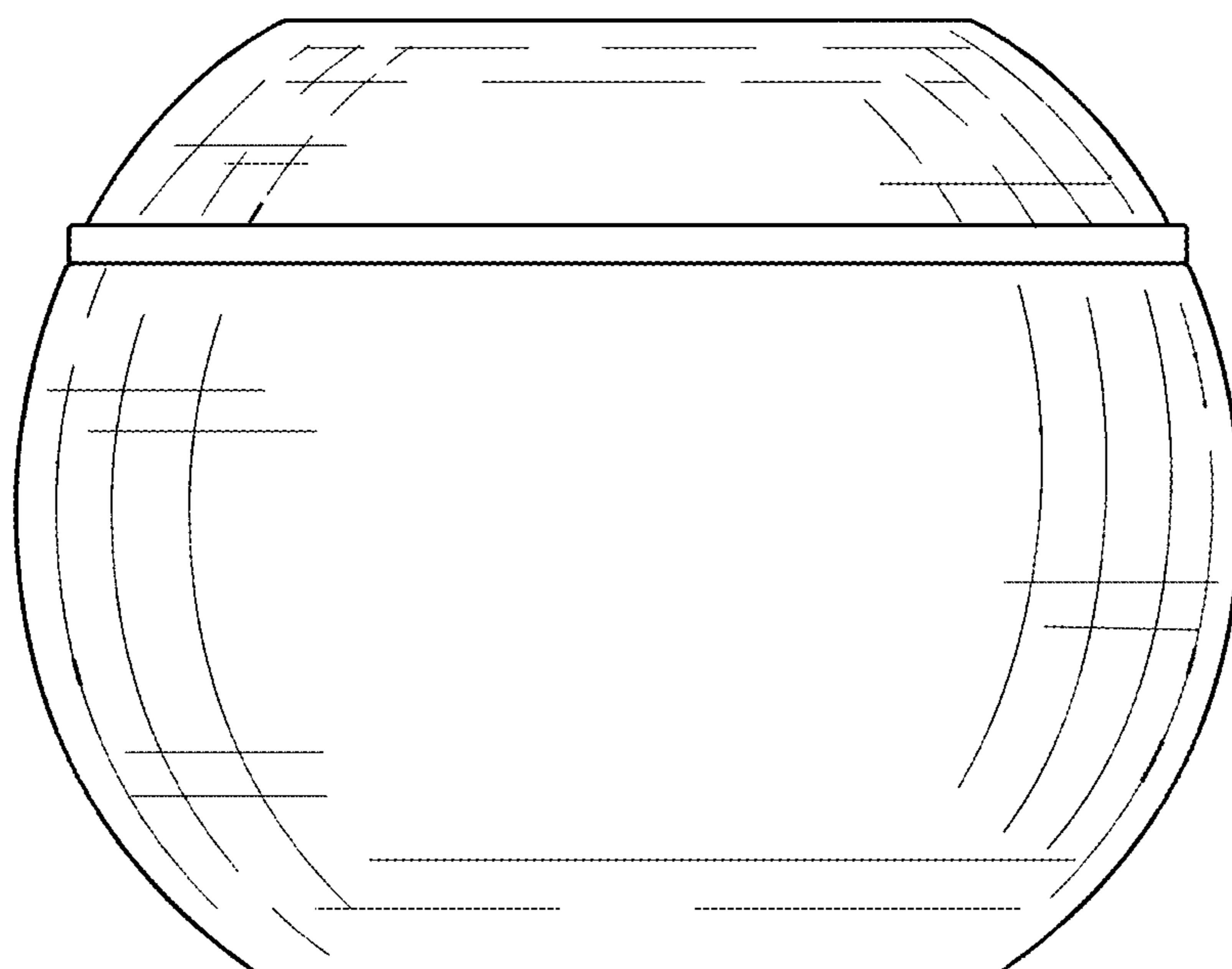


FIG. 3

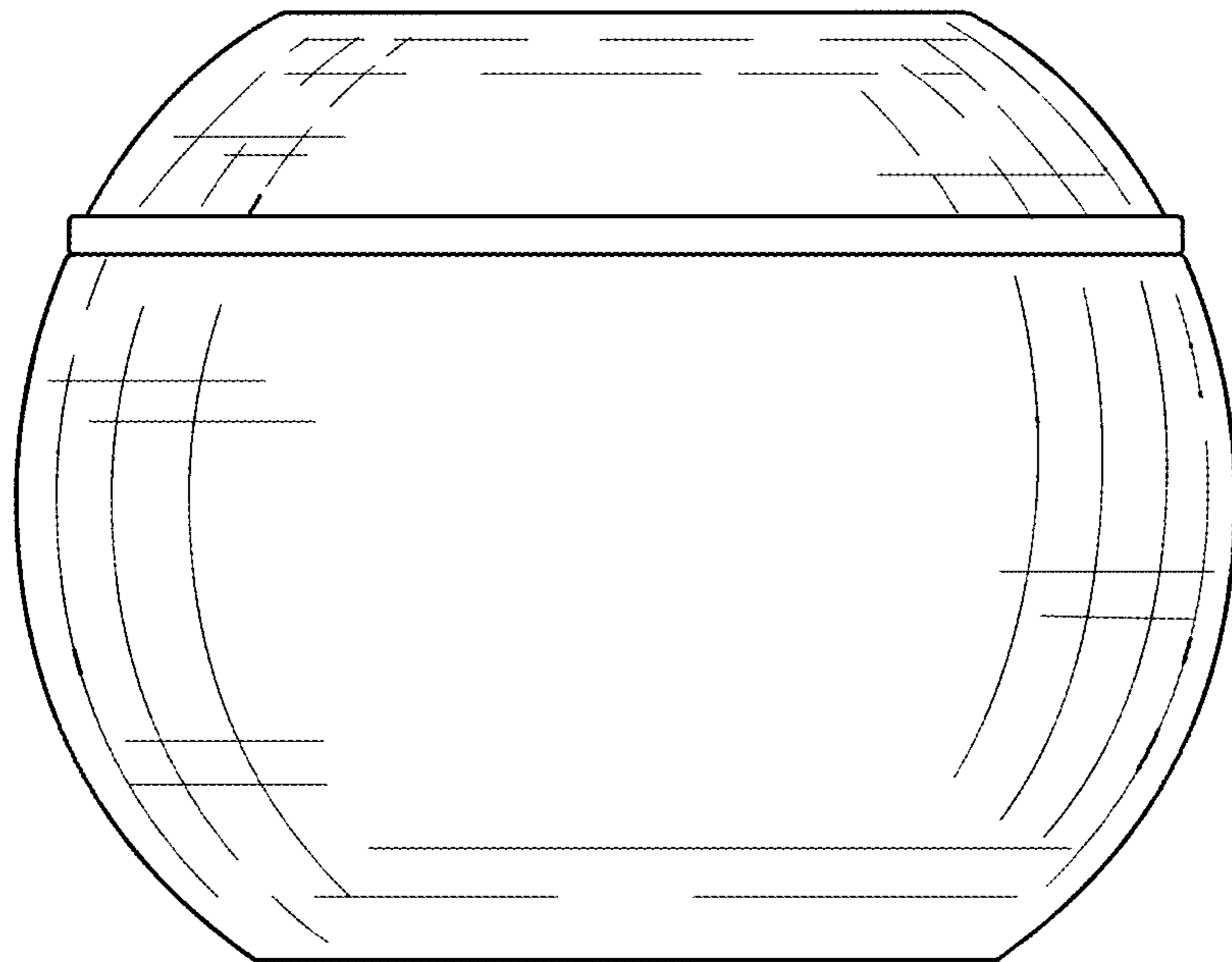


FIG. 4

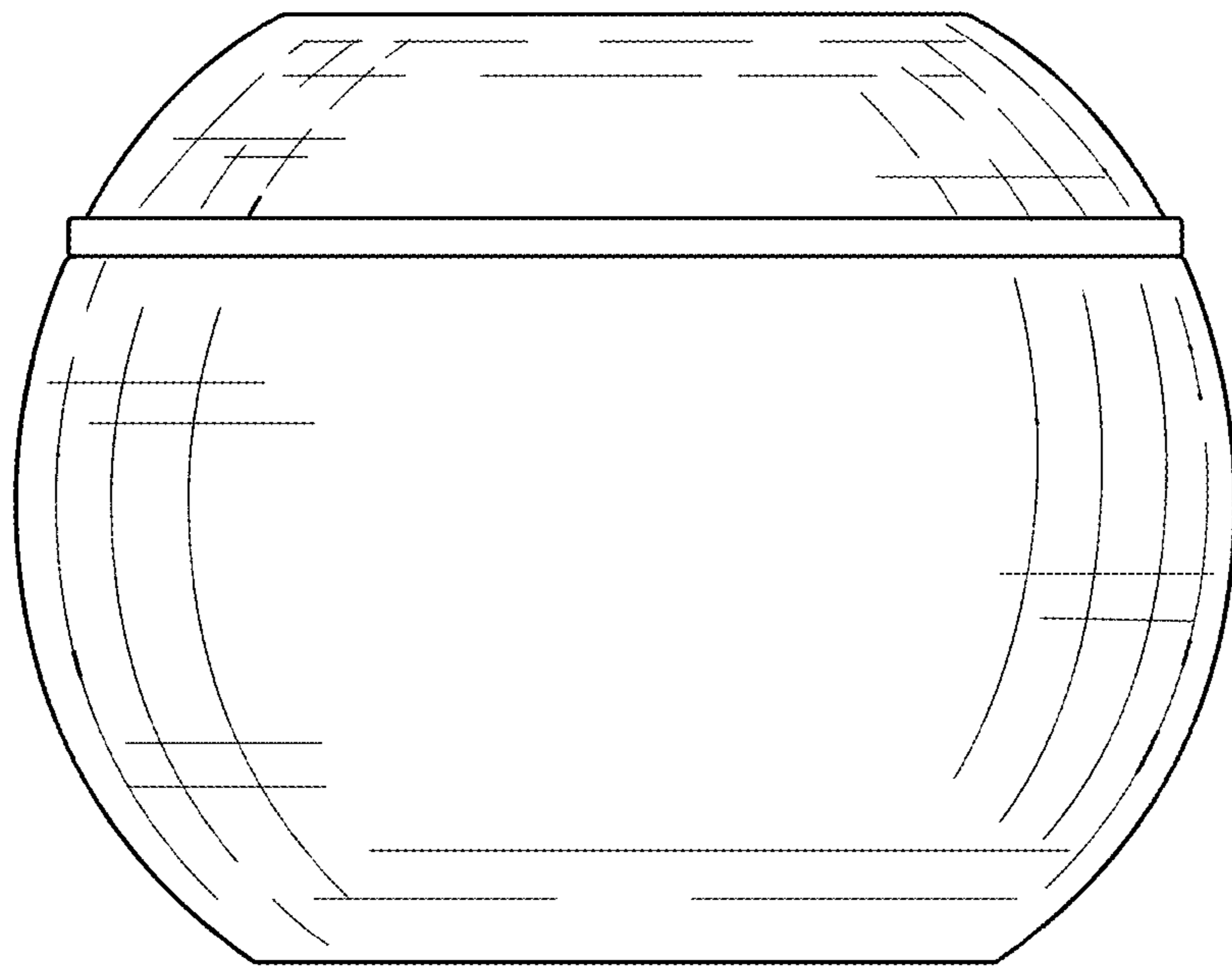


FIG. 5

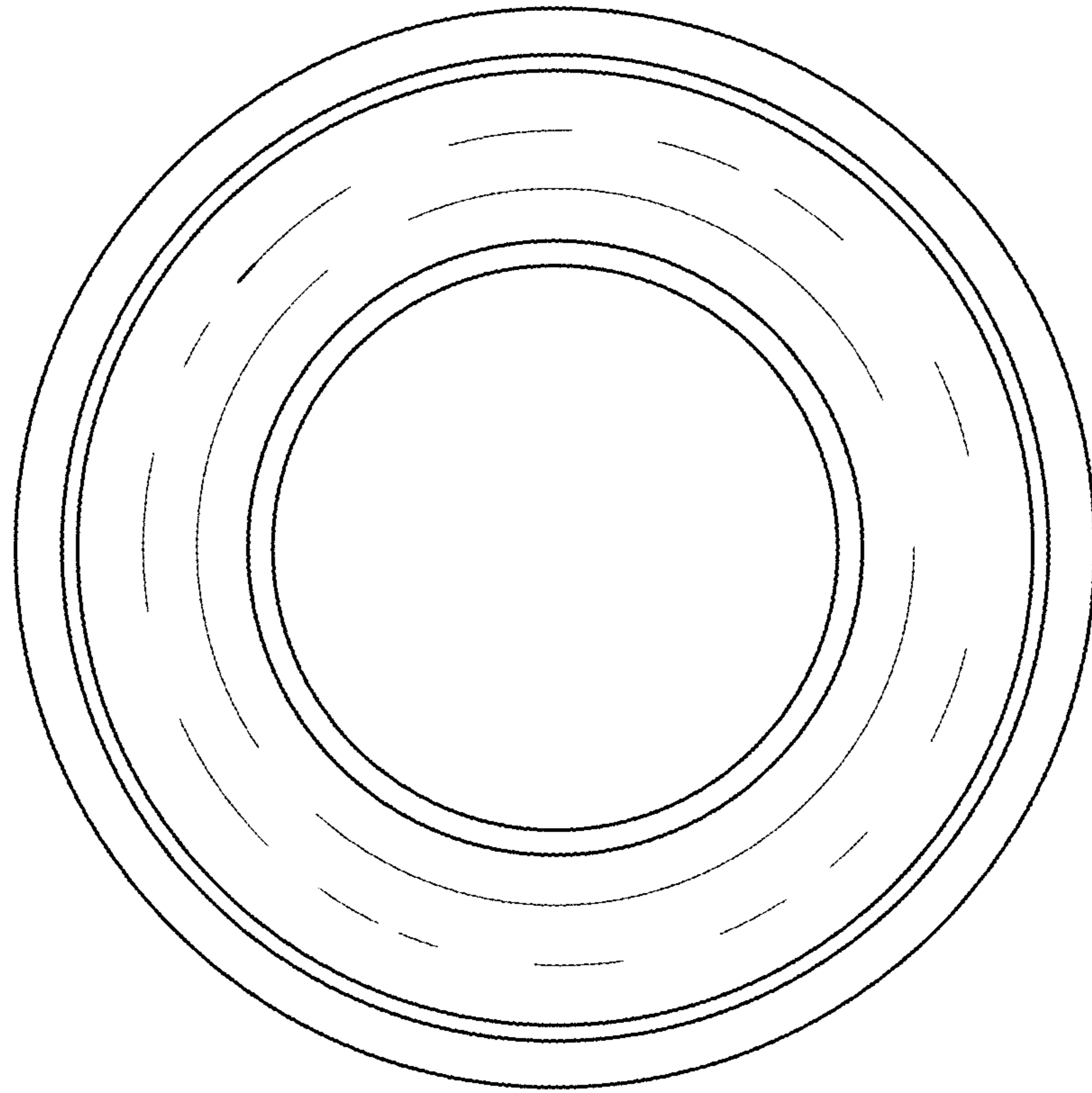


FIG. 6

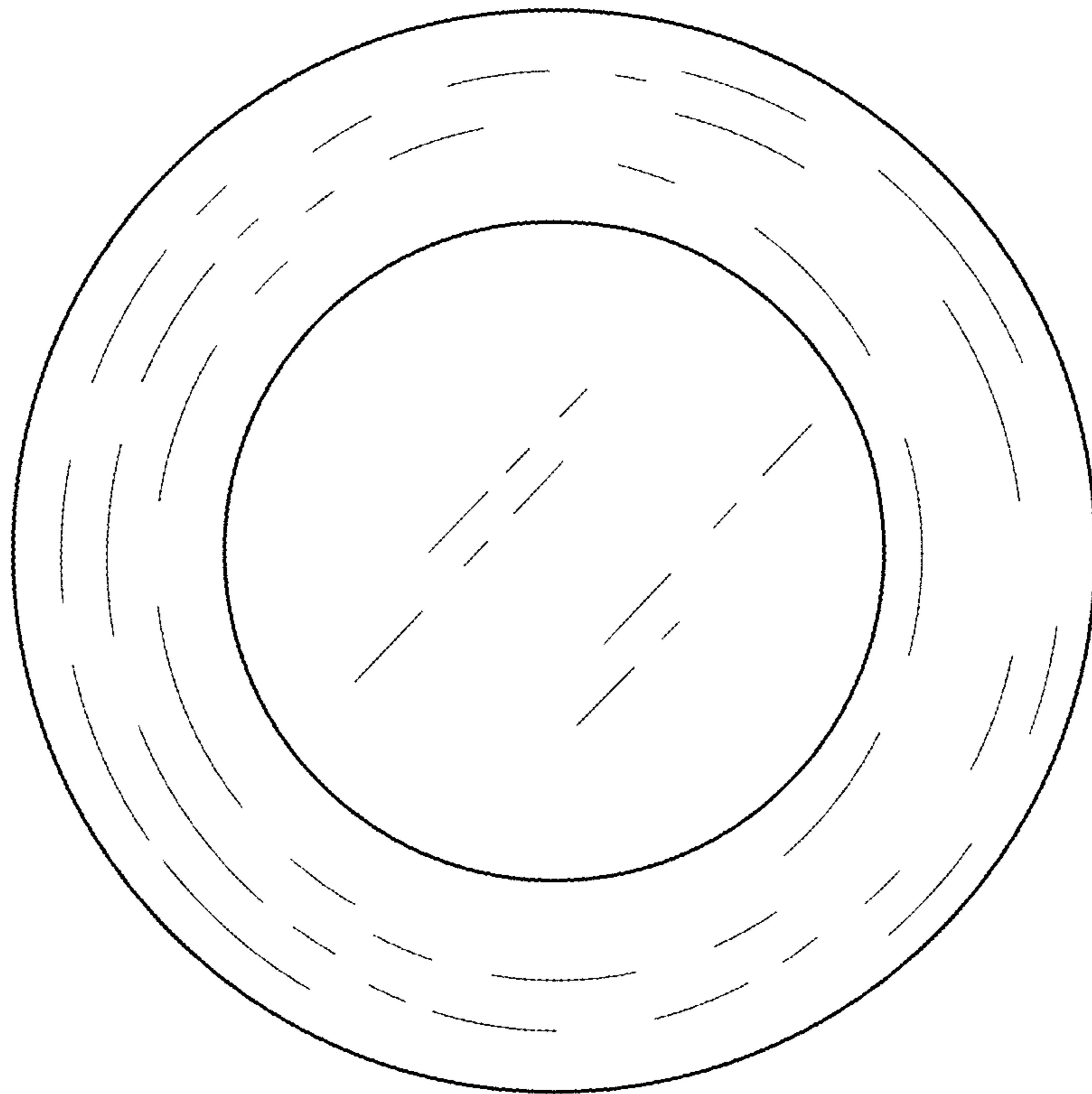


FIG. 7