



US00D729369S

(12) **United States Design Patent**
Viala et al.

(10) **Patent No.:** **US D729,369 S**
(45) **Date of Patent:** **** May 12, 2015**

- (54) **SCENT DISPENSER**
- (71) Applicant: **Vapor Communications, Inc.**,
Cambridge, MA (US)
- (72) Inventors: **Baptiste Viala**, Paris (FR); **Laurent Milon**, Paris (FR)
- (73) Assignee: **Vapor Communications, Inc.**,
Cambridge, MA (US)
- (**) Term: **14 Years**
- (21) Appl. No.: **29/503,298**
- (22) Filed: **Sep. 24, 2014**

- D496,451 S 9/2004 Julos et al.
- D548,317 S 8/2007 Newton et al.
- D560,788 S 1/2008 Farrell et al.
- D574,072 S 7/2008 Carlson et al.
- D582,534 S 12/2008 Conway et al.
- D583,451 S 12/2008 Aloe et al.
- D583,452 S 12/2008 Aloe et al.
- D593,669 S 6/2009 Daelemans et al.
- D597,192 S 7/2009 Drucker et al.
- D637,274 S 5/2011 Chan et al.
- D647,187 S 10/2011 Chan et al.
- D654,761 S 2/2012 Herbst
- D672,860 S 12/2012 Blachford et al.
- D675,304 S 1/2013 Valentino et al.
- D680,637 S * 4/2013 Blachford et al. D23/366
- D681,182 S 4/2013 Vilarasa et al.
- D681,183 S 4/2013 Blachford et al.
- D716,432 S * 10/2014 Viala et al. D23/366

Related U.S. Application Data

- (62) Division of application No. 29/466,695, filed on Sep. 10, 2013, now Pat. No. Des. 716,432.
- (51) **LOC (10) Cl.** **28-99**
- (52) **U.S. Cl.**
CPC **A61L 9/03** (2013.01)
USPC **D23/366**
- (58) **Field of Classification Search**
CPC A61L 9/00; A61L 9/02; A61L 9/03;
A61L 9/032; A61L 9/035; A61L 9/037;
A61L 9/04; A61L 9/012; A61L 9/022
USPC D23/355-369; D28/5, 6; 261/DIG. 17,
261/DIG. 42, DIG. 65, DIG. 88, DIG. 89;
392/386, 390, 394, 395; 239/34, 44,
239/53, 55, 56, 326
See application file for complete search history.

(56) **References Cited**

U.S. PATENT DOCUMENTS

- 4,258,874 A 3/1981 Webinger et al.
- D288,713 S * 3/1987 Darneal D23/366
- D327,037 S * 6/1992 Martineau D11/141
- 5,273,690 A * 12/1993 McDowell 261/107

* cited by examiner

Primary Examiner — Sandra Snapp

(74) *Attorney, Agent, or Firm* — Seed IP Law Group PLLC

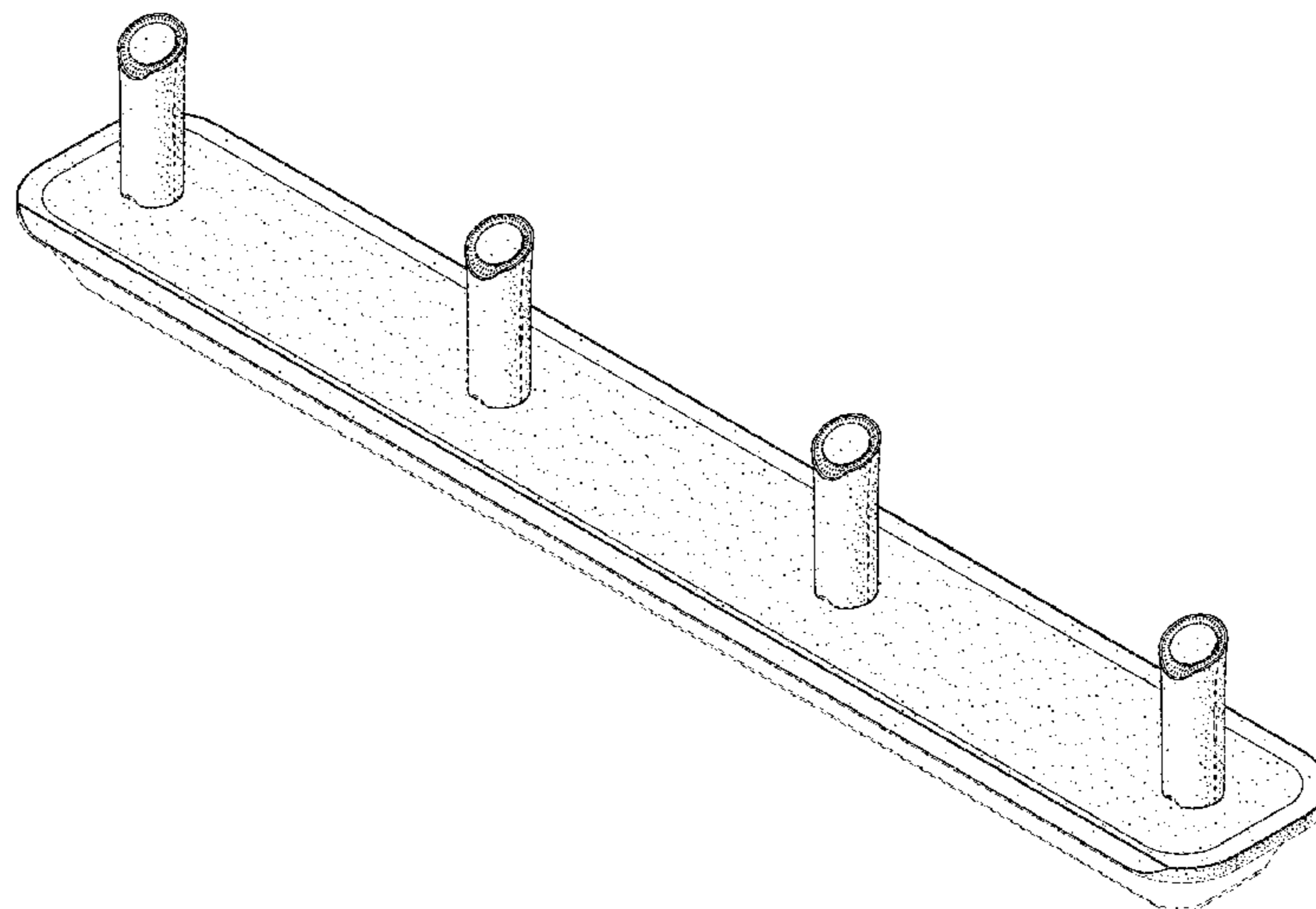
(57) **CLAIM**

The ornamental design for an scent dispenser, as shown and described.

DESCRIPTION

FIG. 1 is an isometric view of an scent dispenser showing our new design.
 FIG. 2 is a front elevational view thereof.
 FIG. 3 is a rear elevational view thereof.
 FIG. 4 is a top plan view thereof.
 FIG. 5 is a bottom plan view thereof.
 FIG. 6 is a right side elevational view thereof; and,
 FIG. 7 is a left side elevational view thereof.
 Stippling and contour lines shown in the drawings are intended to represent the approximate three-dimensional contours of the design, and are not intended to indicate surface decoration. The broken lines in the figures are for illustrative purposes only and form no part of the claimed design.

1 Claim, 4 Drawing Sheets



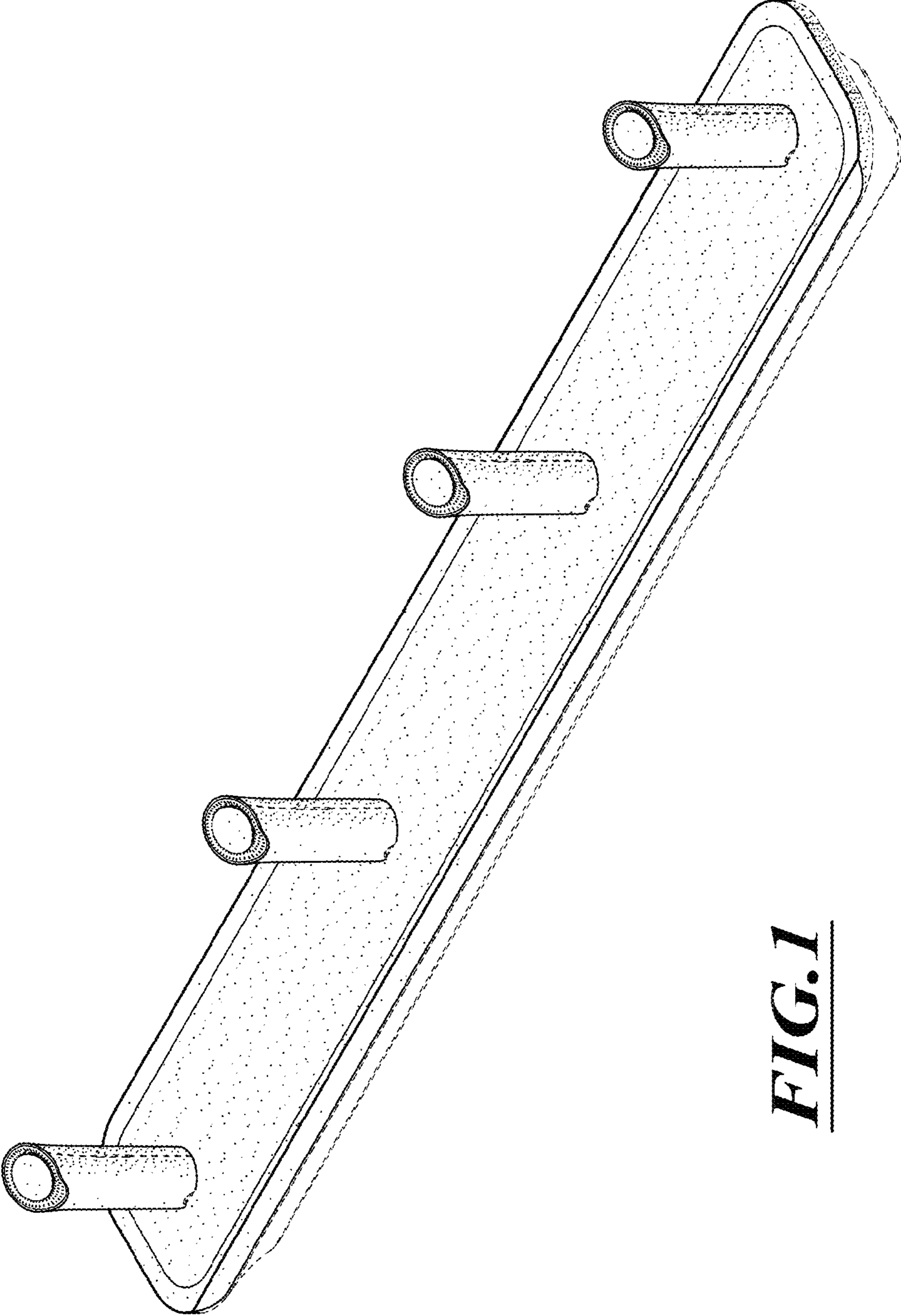


FIG. 1

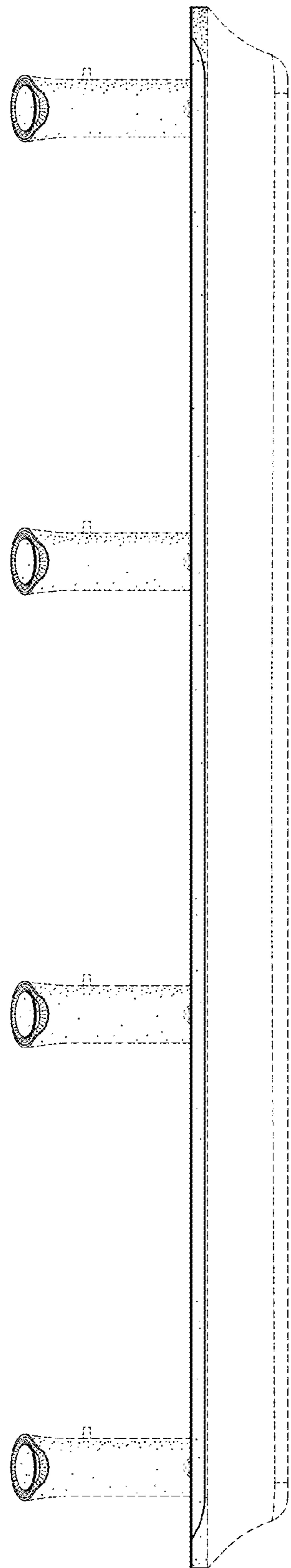


FIG. 2

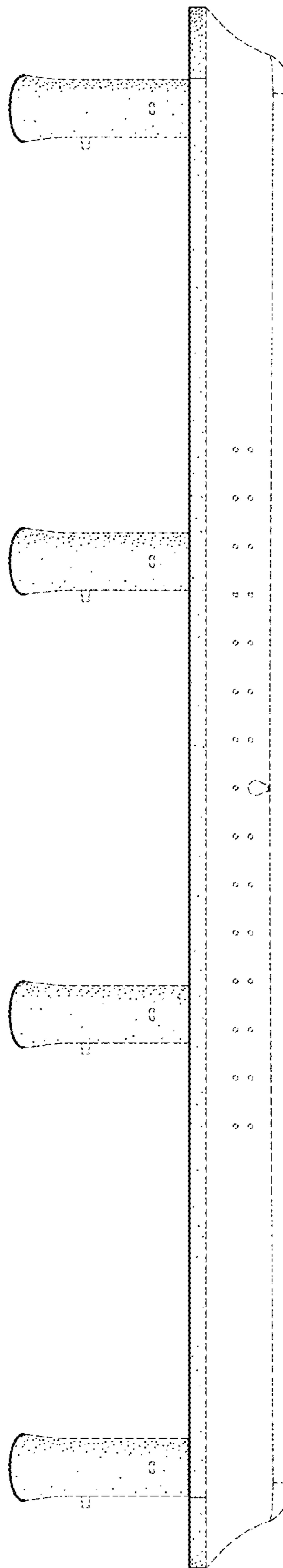


FIG. 3

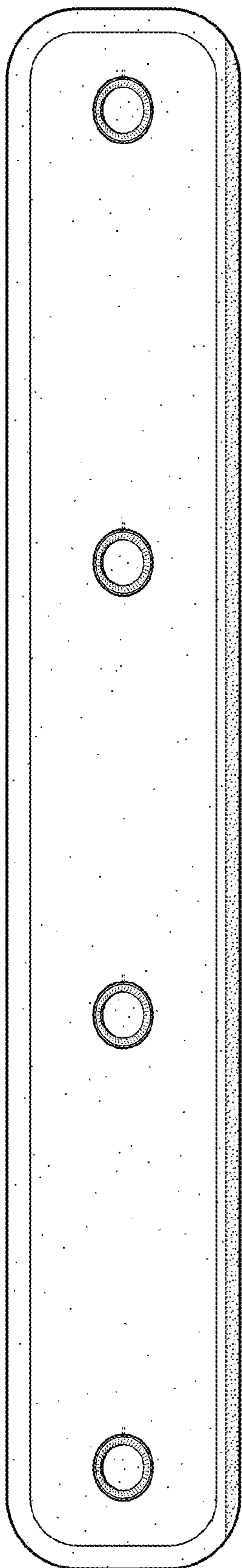


FIG. 4

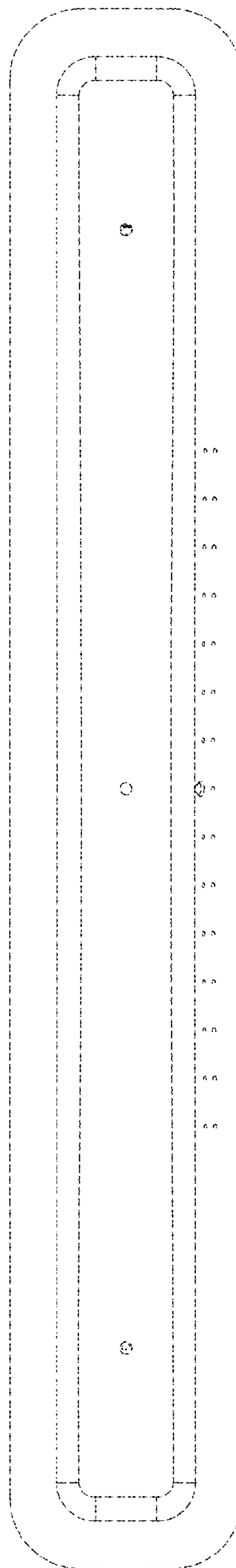


FIG. 5

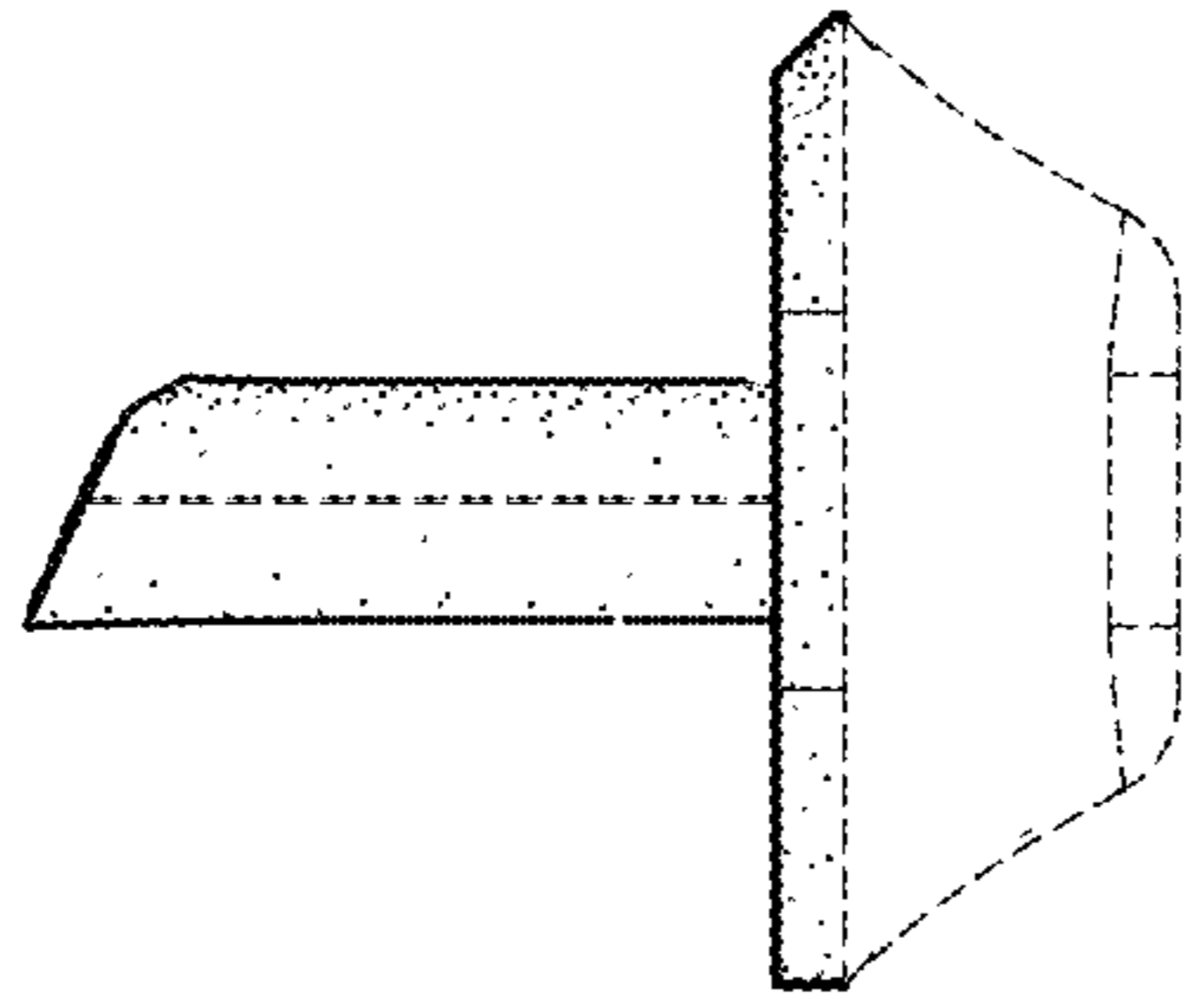


FIG. 7

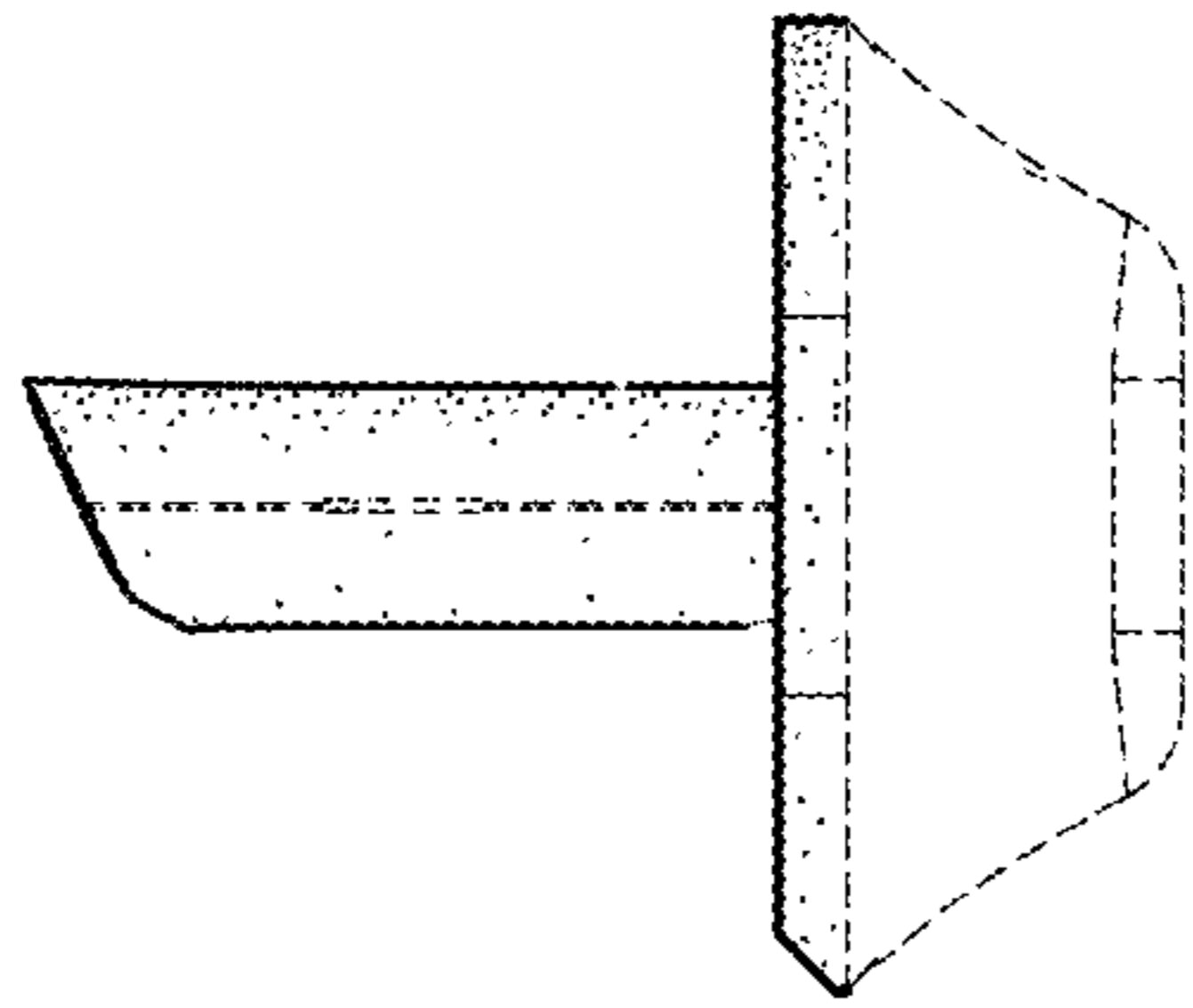


FIG. 6