



US00D729366S

(12) **United States Design Patent**
Kauss et al.

(10) **Patent No.:** **US D729,366 S**
(45) **Date of Patent:** **** May 12, 2015**

(54) **ELECTRONIC VAPORIZER**
(71) Applicant: **Se Box Mods, LLC**, Atlanta, GA (US)
(72) Inventors: **Charles Phillip Kauss**, Atlanta, GA (US); **Michael Tyler Humphreys**, Franklin, TN (US)
(73) Assignee: **SE Box Mods, LLC**, Atlanta, GA (US)
(**) Term: **14 Years**

D566,329 S 4/2008 Bagaric et al.
D566,890 S 4/2008 Bagaric et al.
D576,718 S * 9/2008 Nomi et al. D23/332
D582,027 S * 12/2008 Benito D23/366
D619,236 S * 7/2010 Schlag et al. D23/351
D621,493 S * 8/2010 Choi D23/355
D627,452 S * 11/2010 Chiu D23/342
D633,191 S * 2/2011 Sato D23/366
D645,358 S 9/2011 de Monclin
D650,472 S * 12/2011 Petersen D23/364
D650,473 S * 12/2011 Petersen D23/364

(Continued)

(21) Appl. No.: **29/497,407**
(22) Filed: **Jul. 24, 2014**
(51) **LOC (10) Cl.** **23-04**
(52) **U.S. Cl.**
USPC **D23/360**
(58) **Field of Classification Search**
USPC D23/355-366, 352, 369, 332, 333, 335,
D23/336, 342, 351; 422/120, 122; 55/356,
55/473, 504; 96/97; D14/188, 170, 172;
261/DIG. 17, DIG. 65, DIG. 88, DIG. 31;
D3/202

See application file for complete search history.

(56) **References Cited**

U.S. PATENT DOCUMENTS

625,822 A 5/1899 Wilson
D32,425 S 4/1900 Bernheim
D53,386 S 5/1919 Thomas
D203,787 S 2/1966 Dyer
D284,795 S 7/1986 Webb
D373,207 S 8/1996 Yuen
D521,230 S 5/2006 Linz et al.
D526,742 S 8/2006 Smith
D533,185 S 12/2006 Ishida et al.
D539,150 S 3/2007 Leoncavallo et al.
D563,040 S 2/2008 Luo
D565,714 S * 4/2008 Wolff et al. D23/359

OTHER PUBLICATIONS

www.tronicvape.com, Smy Flask.

Primary Examiner — David Muller

(74) *Attorney, Agent, or Firm* — Kilpatrick Townsend & Stockton LLP

(57) **CLAIM**

The ornamental design for an electronic vaporizer, as shown and described.

DESCRIPTION

FIG. 1 is an isometric view of the top, front and right side of the design for the electronic vaporizer of this invention.

FIG. 2 is an isometric view of the bottom, front and left side of the electronic vaporizer of FIG. 1.

FIG. 3 is a top view of the electronic vaporizer of FIG. 1.

FIG. 4 is a bottom view of the electronic vaporizer of FIG. 1.

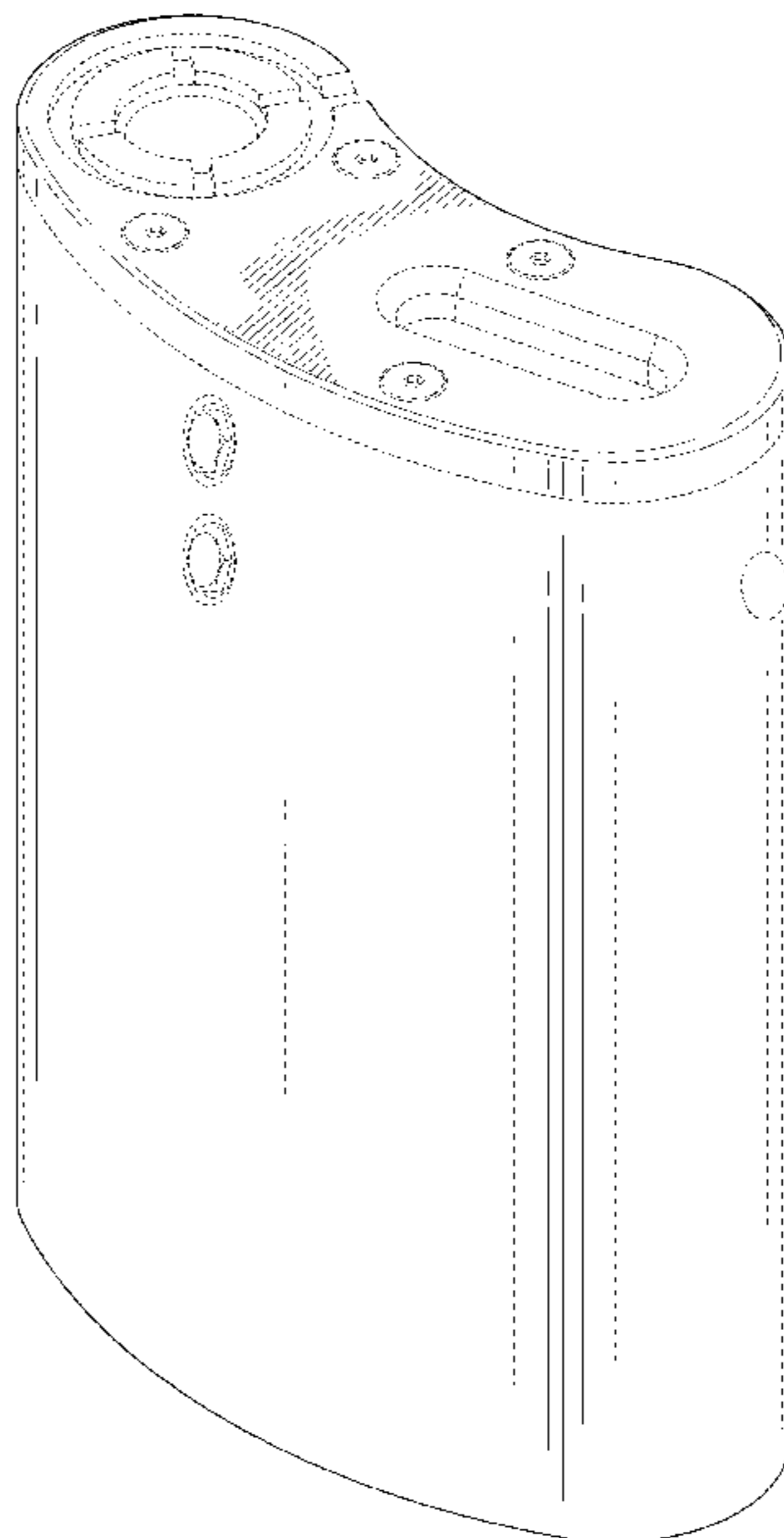
FIG. 5 is a front view of the electronic vaporizer of FIG. 1.

FIG. 6 is a back view of the electronic vaporizer of FIG. 1.

FIG. 7 is a right side view of the electronic vaporizer of FIG. 1; and,

FIG. 8 is a left side view of the electronic vaporizer of FIG. 1. The broken lines are included for the purpose of illustrating environment and form no part of the claimed design.

1 Claim, 7 Drawing Sheets



US D729,366 S

Page 2

(56)

References Cited

U.S. PATENT DOCUMENTS

D653,847 S 2/2012 Seals
D664,636 S * 7/2012 Robinson et al. D23/360
D674,475 S * 1/2013 Andersen et al. D23/366 * cited by examiner

D677,774 S * 3/2013 Postma D23/360
D702,433 S 4/2014 Romley
D707,806 S * 6/2014 Brewer et al. D23/366

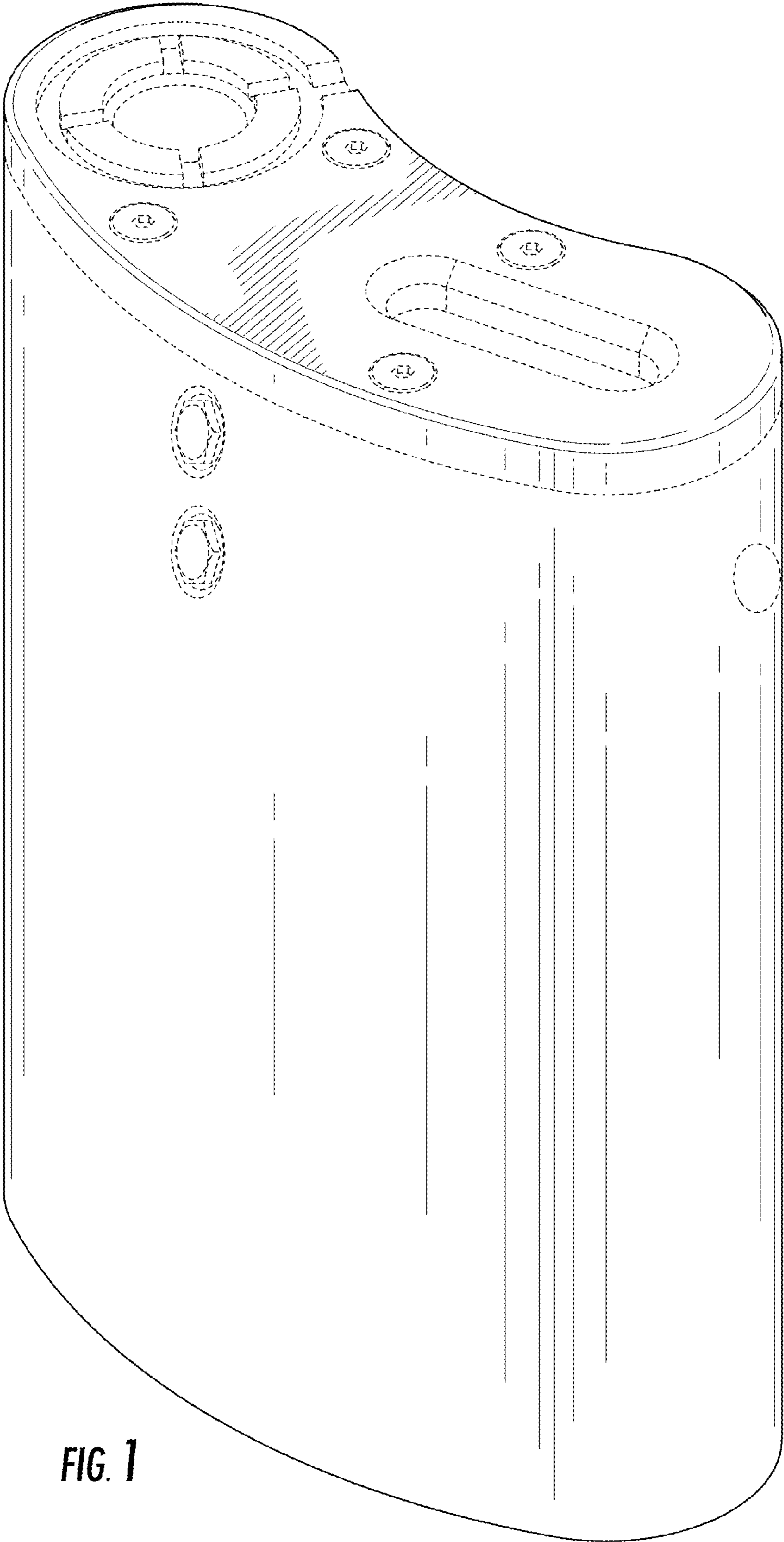


FIG. 1

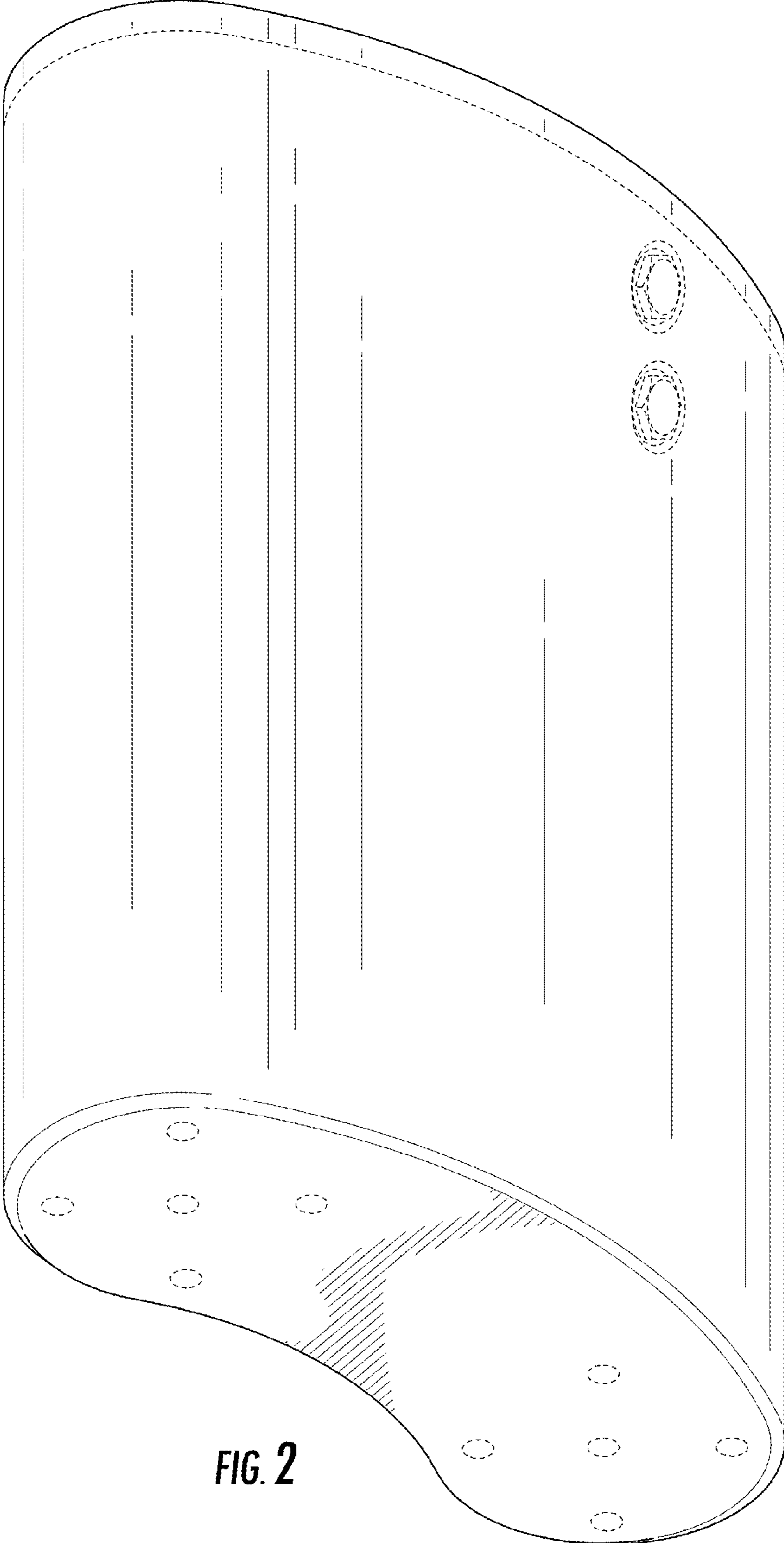


FIG. 2

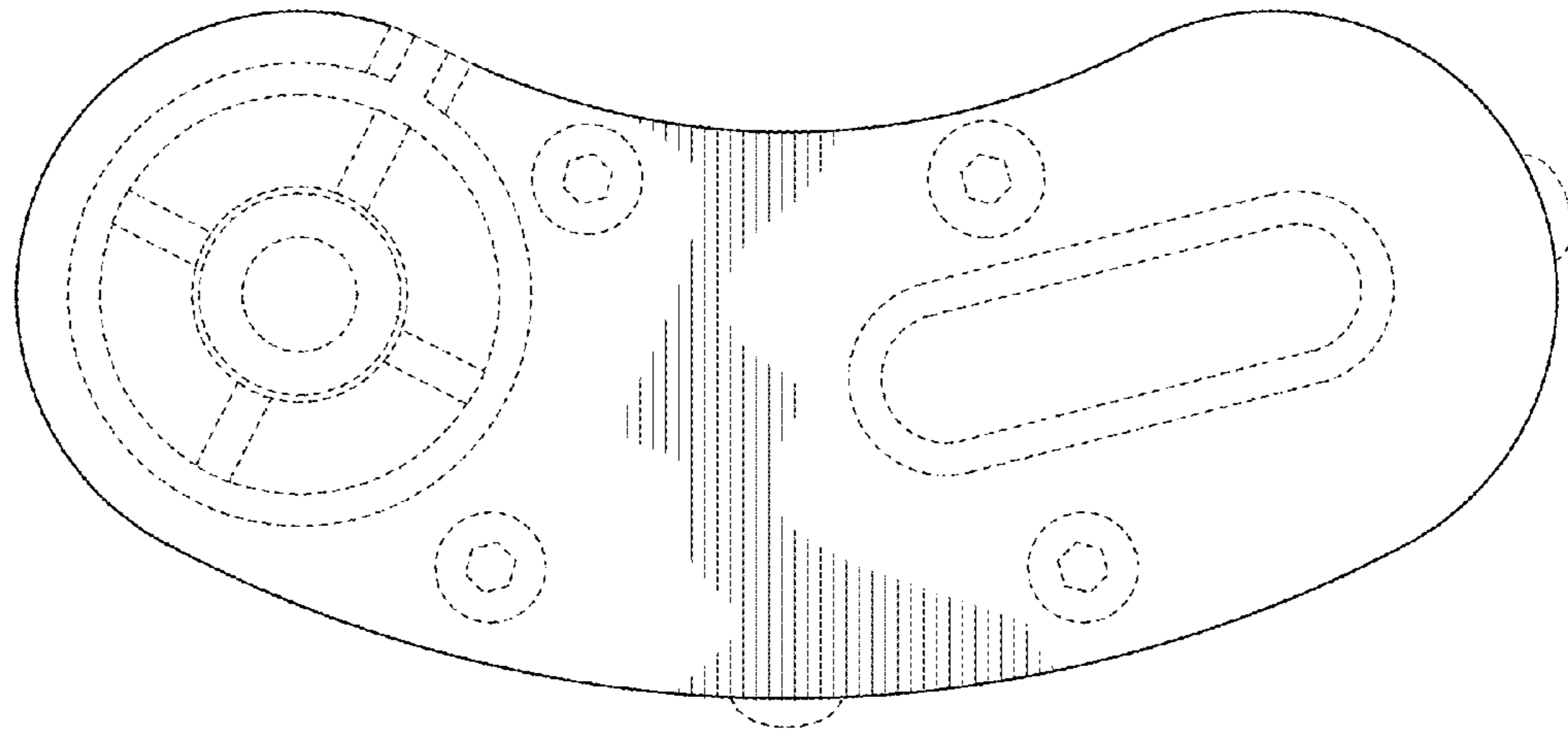


FIG. 3

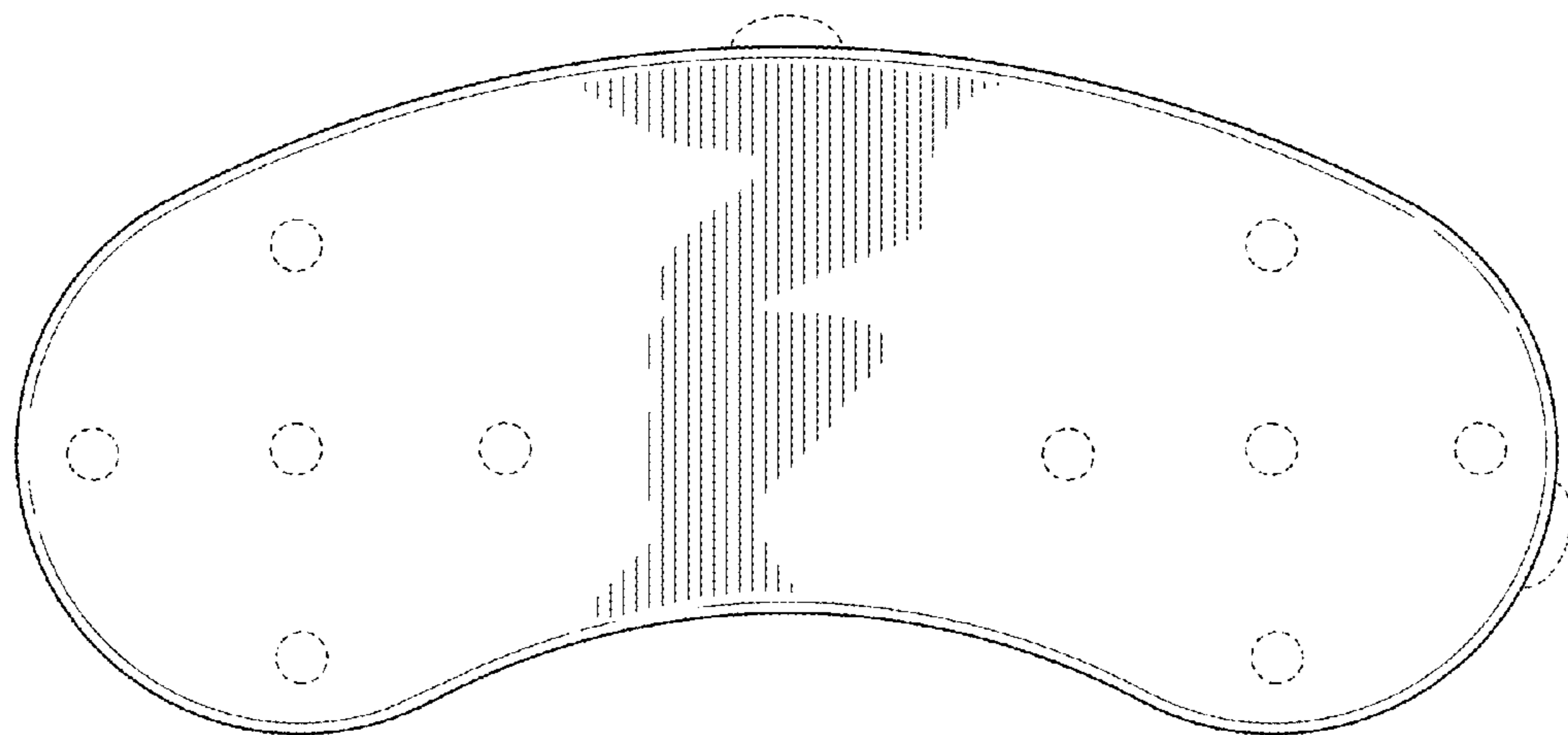


FIG. 4

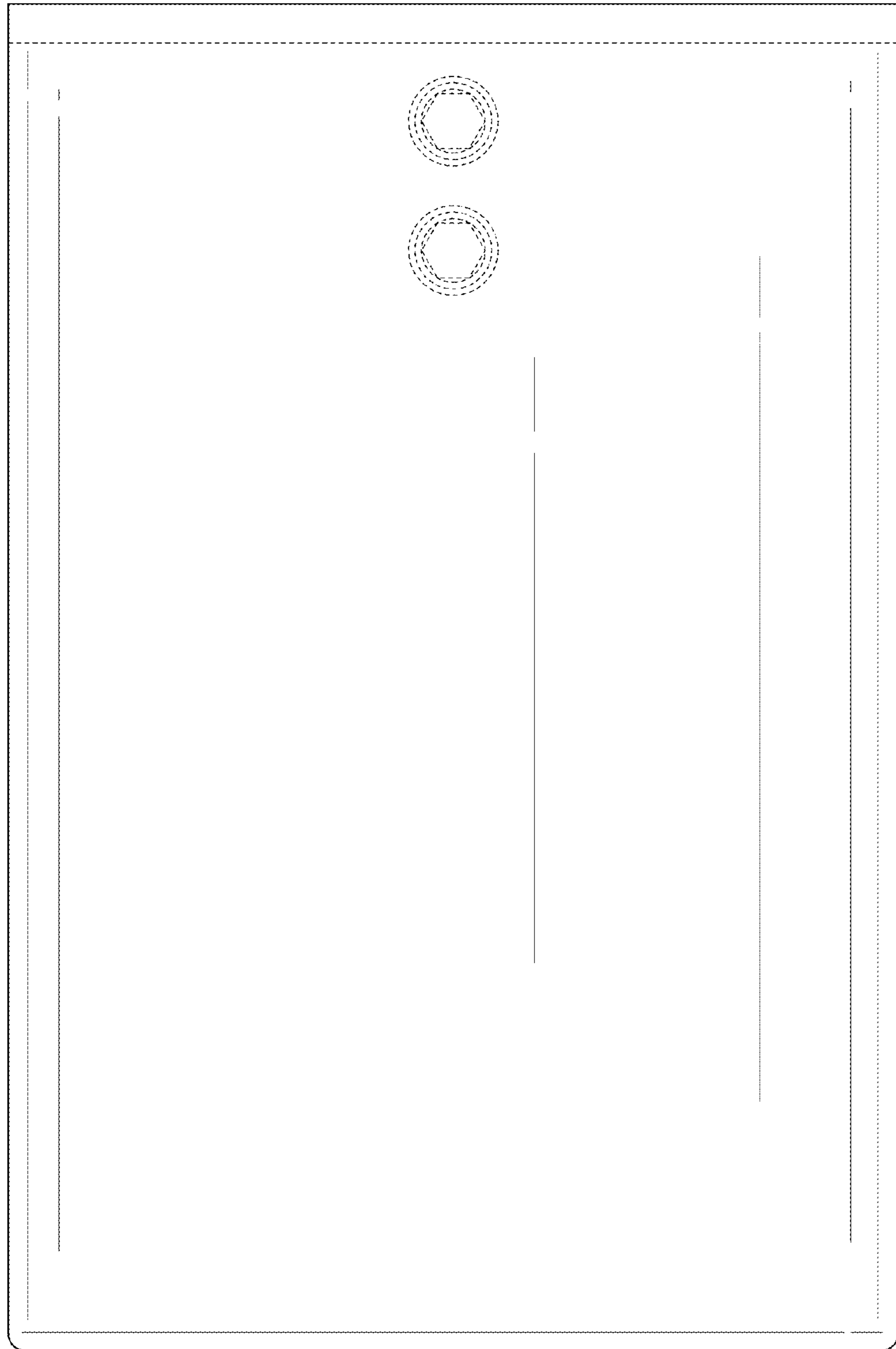


FIG. 5

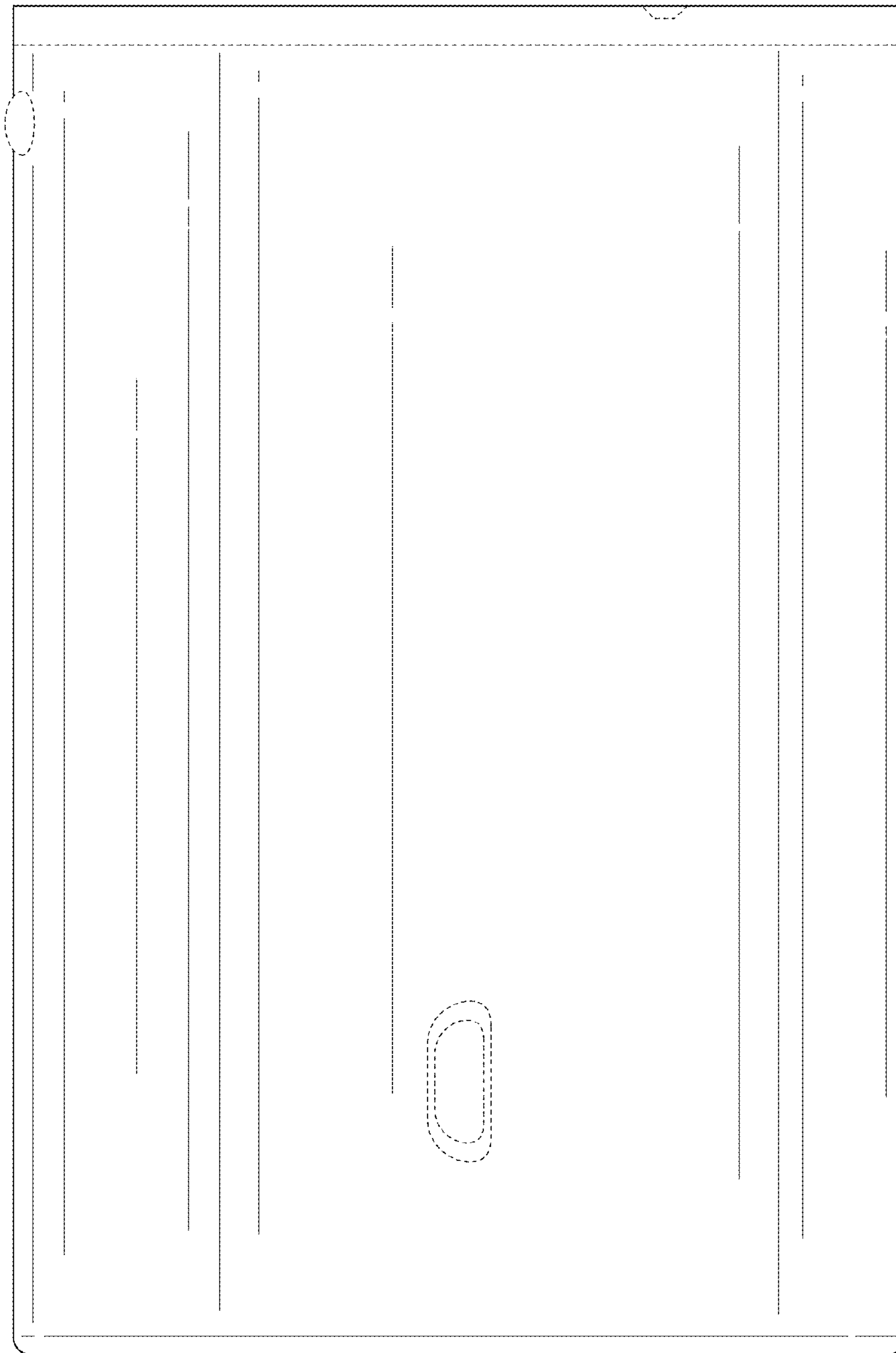


FIG. 6

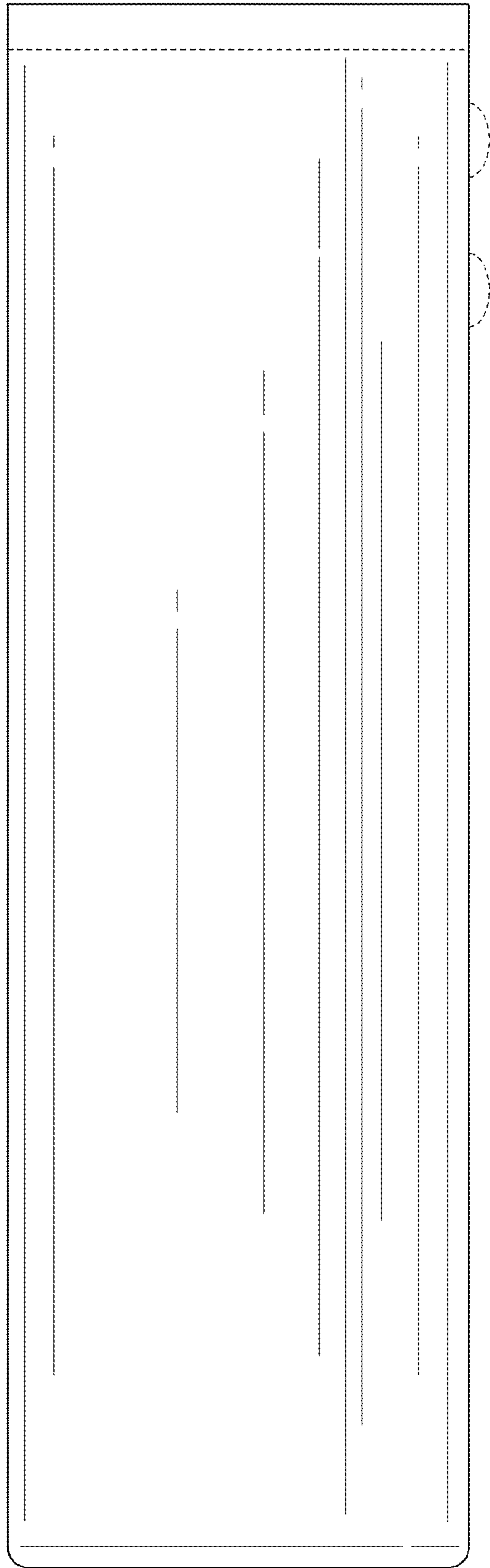


FIG. 7

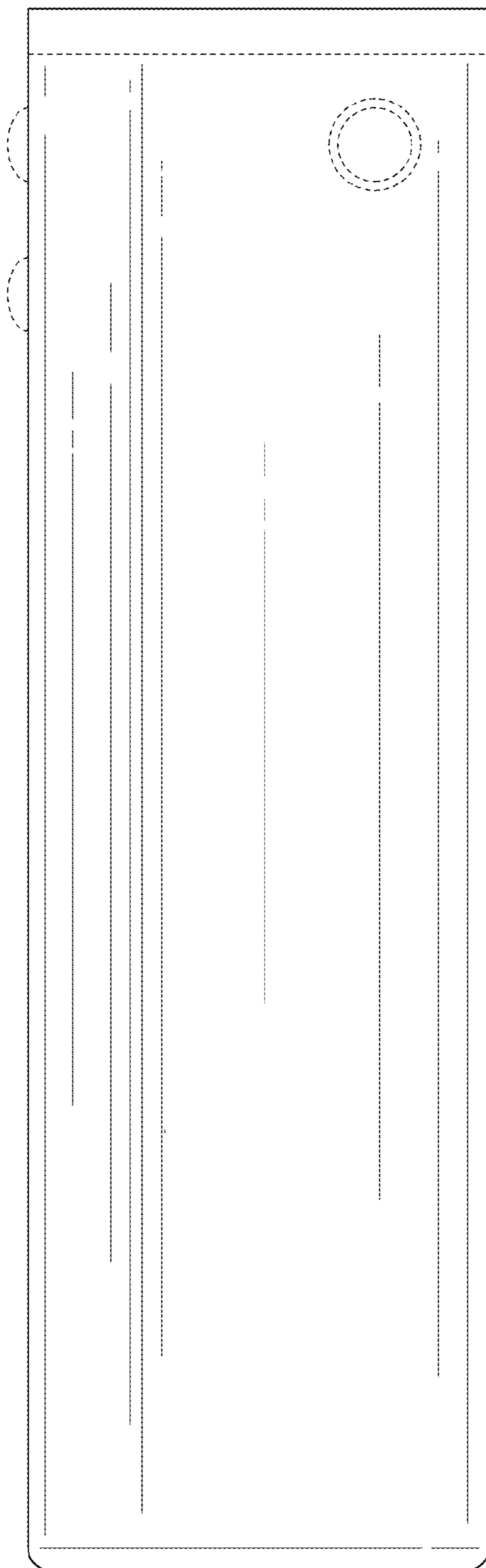


FIG. 8