



US00D729360S

(12) **United States Design Patent**  
**Eilmus et al.**

(10) **Patent No.:** **US D729,360 S**

(45) **Date of Patent:** **\*\* May 12, 2015**

(54) **SINK**

(71) Applicant: **Kohler Co.**, Kohler, WI (US)

(72) Inventors: **Niels J. Eilmus**, Sheboygan, WI (US);  
**Jason R. Miller**, Sheboygan Falls, WI (US)

(73) Assignee: **Kohler Co.**, Kohler, WI (US)

(\*\*) Term: **14 Years**

(21) Appl. No.: **29/506,980**

(22) Filed: **Oct. 22, 2014**

**Related U.S. Application Data**

(62) Division of application No. 29/485,636, filed on Mar. 20, 2014, now Pat. No. Des. 716,921, which is a division of application No. 29/448,207, filed on Mar. 11, 2013, now Pat. No. Des. 703,801.

(51) **LOC (10) Cl.** ..... **23-02**

(52) **U.S. Cl.**  
USPC ..... **D23/308**

(58) **Field of Classification Search**  
USPC ..... D23/272-274, 284, 286, 292-293.1,  
D23/303, 308; 4/619; 126/383.1, 385.1  
See application file for complete search history.

(56) **References Cited**

**U.S. PATENT DOCUMENTS**

2,676,477 A 4/1954 Smith  
3,196,864 A 7/1965 Johnson

(Continued)

**OTHER PUBLICATIONS**

Response to Restriction Requirement mailed Oct. 28, 2013 in U.S. Appl. No. 29/448,206.

(Continued)

*Primary Examiner* — Robert Delehanty

(74) *Attorney, Agent, or Firm* — Foley & Lardner LLP

(57) **CLAIM**

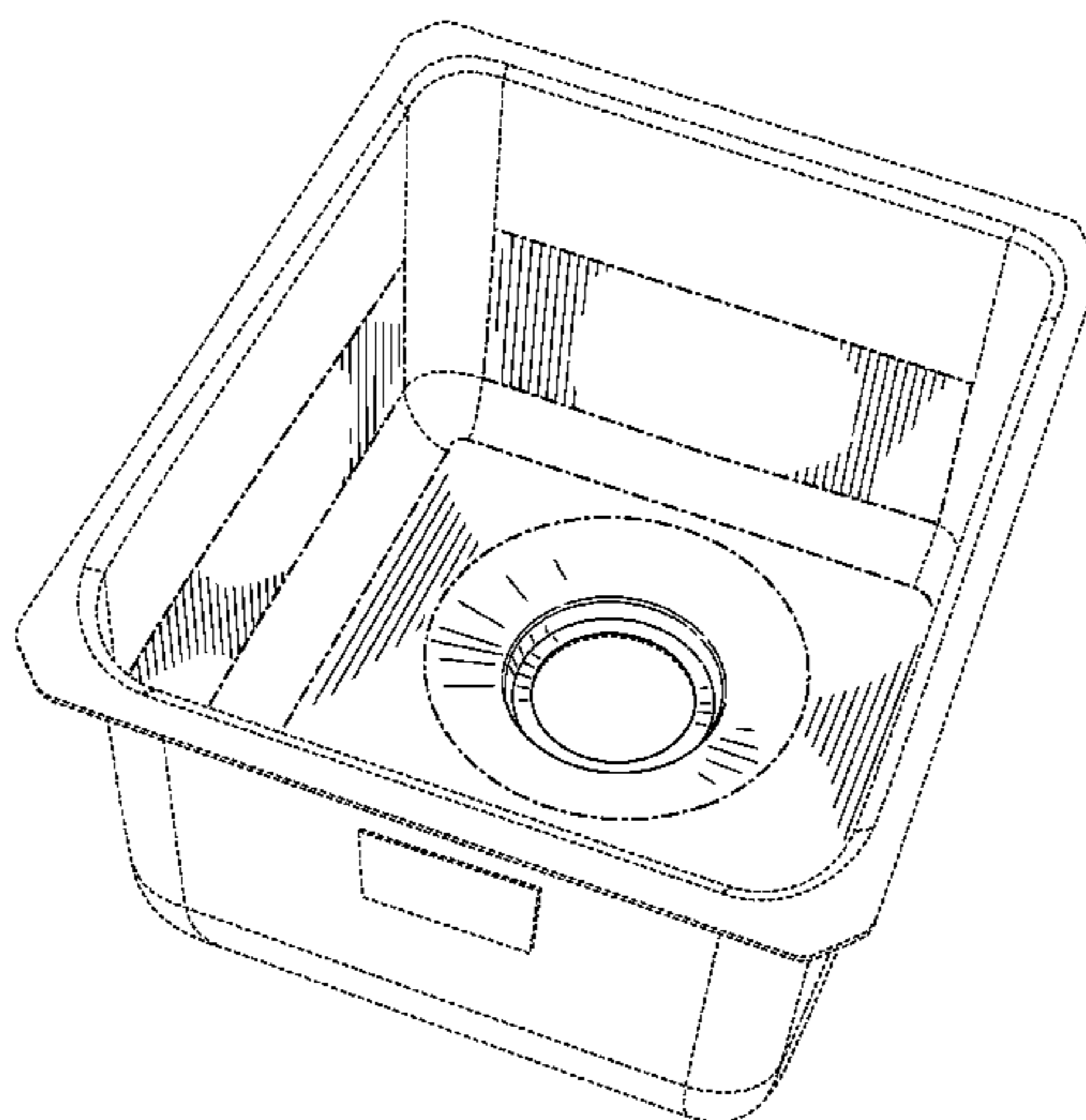
We claim the ornamental design for a sink, as shown and described.

**DESCRIPTION**

FIG. 1 is a perspective view of an embodiment of the claimed design;  
FIG. 2 is a top view of the claimed design shown in FIG. 1;  
FIG. 3 is a bottom view of the claimed design shown in FIG. 1;  
FIG. 4 is a side view of the claimed design shown in FIG. 1;  
FIG. 5 is another side view of the claimed design shown in FIG. 1;  
FIG. 6 is another side view of the claimed design shown in FIG. 1;  
FIG. 7 is another side view of the claimed design shown in FIG. 1;  
FIG. 8 is a cross-sectional view of the claimed design shown in FIG. 1 taken along line 8-8 in FIG. 2;  
FIG. 8A is an enlarged cross-sectional view of a portion of the claimed design shown in FIG. 1 taken along line 8A-8A in FIG. 8;  
FIG. 9 is a cross-sectional view of the claimed design shown in FIG. 1 taken along line 9-9 in FIG. 2;  
FIG. 10 is a cross-sectional view of the claimed design shown in FIG. 1 taken along line 10-10 in FIG. 2; and,  
FIG. 11 is a cross-sectional view of the claimed design shown in FIG. 1 taken along line 11-11 in FIG. 2.

The ornamental design which is claimed is shown in solid lines in the drawings. The broken lines in the drawings are for illustrative purposes only and form no part of the claimed design. Broken lines formed by equal length dashes show unclaimed portions of the design. Broken lines formed of unequal length dashes (i.e., dash-dot) show boundaries between claimed and unclaimed portions of the design.

**1 Claim, 8 Drawing Sheets**



(56)

**References Cited**

U.S. PATENT DOCUMENTS

4,242,763 A 1/1981 Walker  
4,336,620 A 6/1982 Gresh  
4,655,169 A 4/1987 Pullola  
5,179,740 A 1/1993 Marsilio et al.  
D389,901 S 1/1998 Kohler, Jr. et al.  
5,715,547 A 2/1998 Becker et al.  
6,085,362 A 7/2000 Huber  
D442,679 S 5/2001 Roberts  
6,484,330 B2 11/2002 Gray et al.  
6,554,944 B1 4/2003 Peters et al.  
D494,664 S 8/2004 Arnold  
D544,073 S 6/2007 DeGarmo  
D544,586 S 6/2007 Gilbert et al.  
D545,416 S 6/2007 Maruhashi et al.  
D561,879 S 2/2008 Gilbert et al.

D603,025 S 10/2009 Mahon  
D632,373 S 2/2011 Kehrer et al.  
D635,227 S 3/2011 DuFour  
7,954,183 B2 6/2011 Cawthon  
7,992,236 B2 8/2011 DeGooyer  
D677,772 S 3/2013 Mendoza et al.  
8,424,123 B2 4/2013 Svensson  
1,070,424 A1 8/2013 Danver  
8,499,376 B2 8/2013 Kyung Kim  
2006/0096018 A1 5/2006 Ball  
2010/0251477 A1 10/2010 Bates  
2011/0277694 A1 11/2011 Euse

OTHER PUBLICATIONS

Response to Restriction Requirement mailed Oct. 28, 2013 in U.S.  
Appl. No. 29/448,204.  
Response to Restriction Requirement mailed Oct. 25, 2013 in U.S.  
Appl. No. 29/448,203.

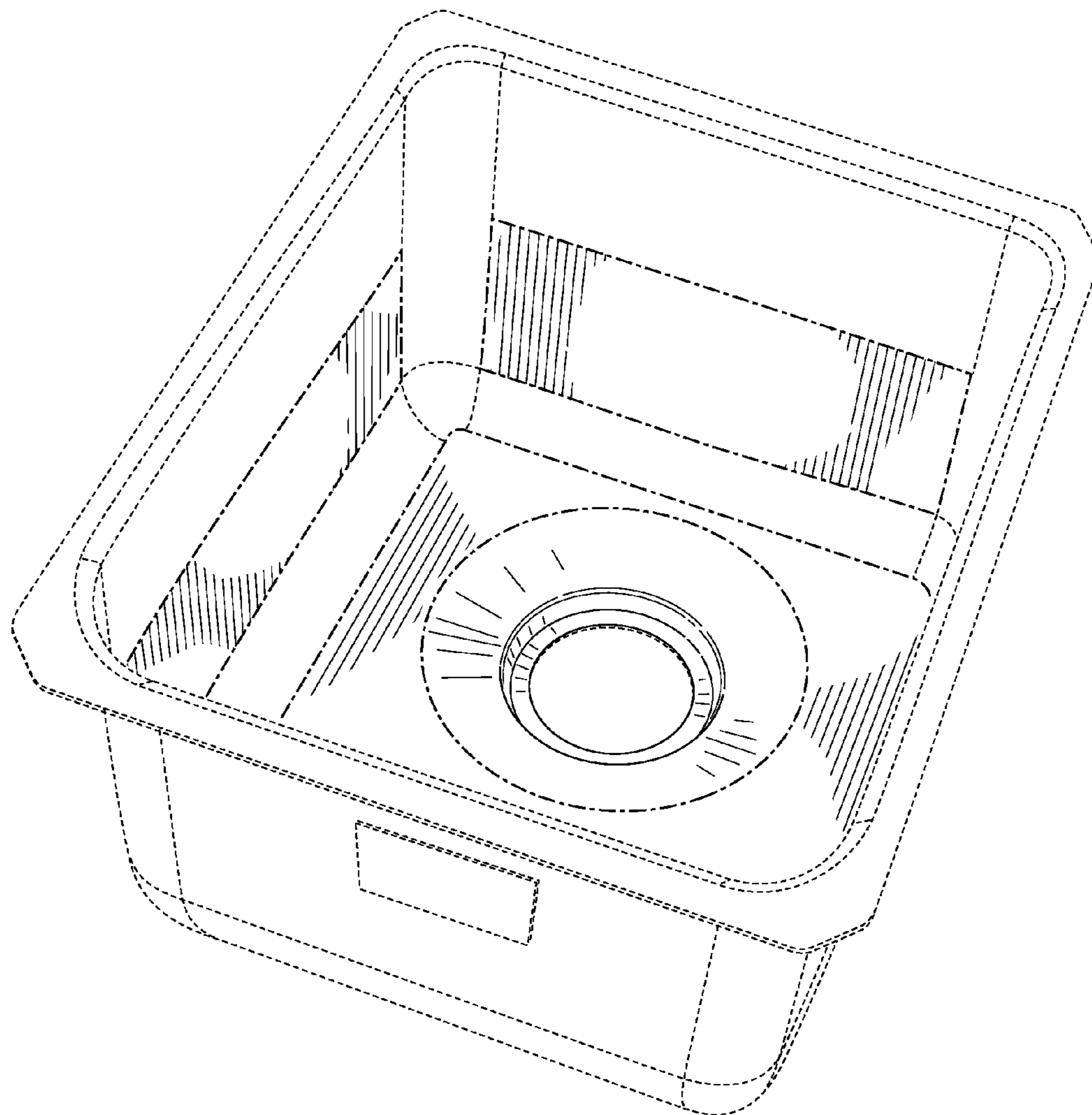


FIG. 1

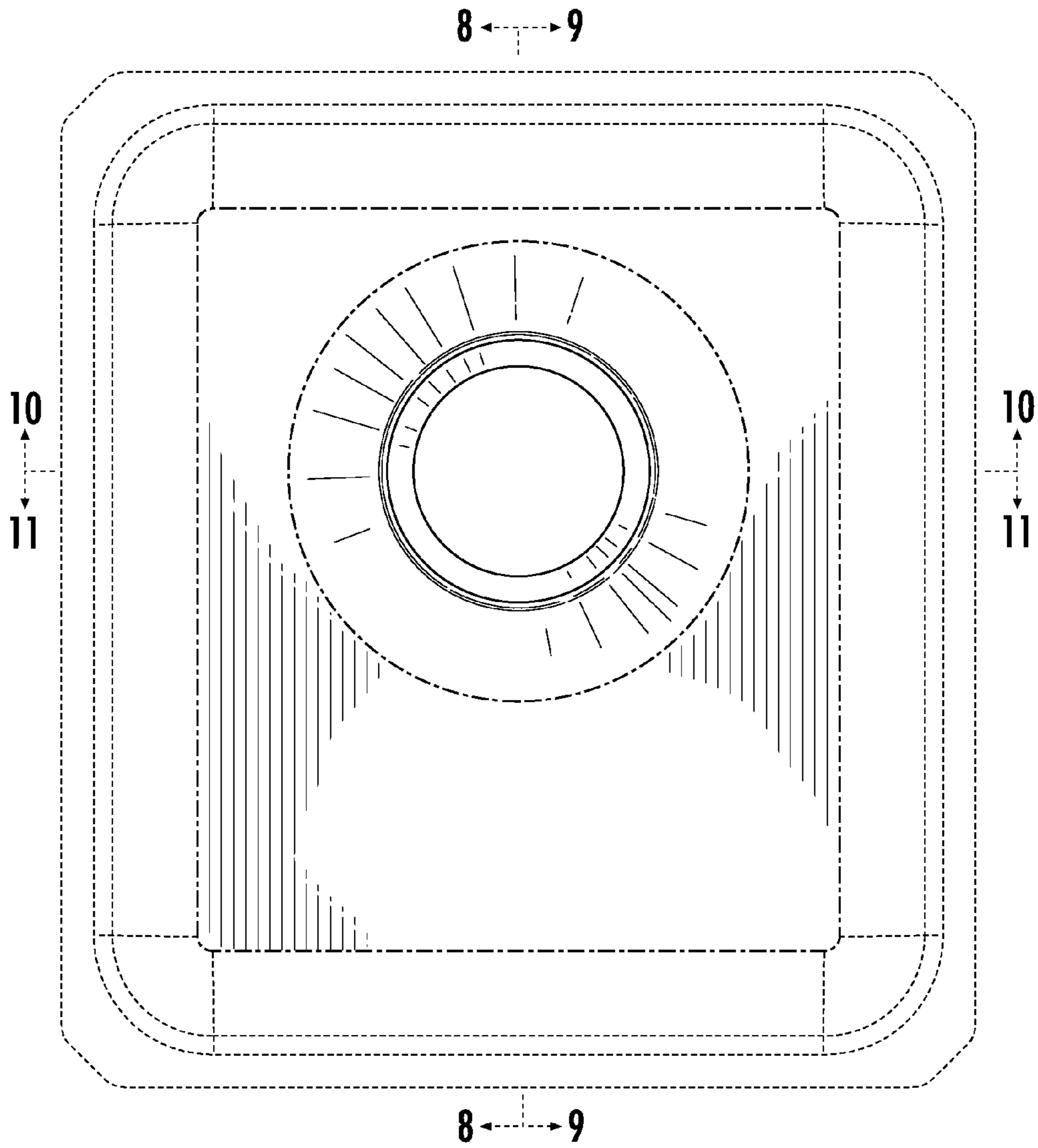
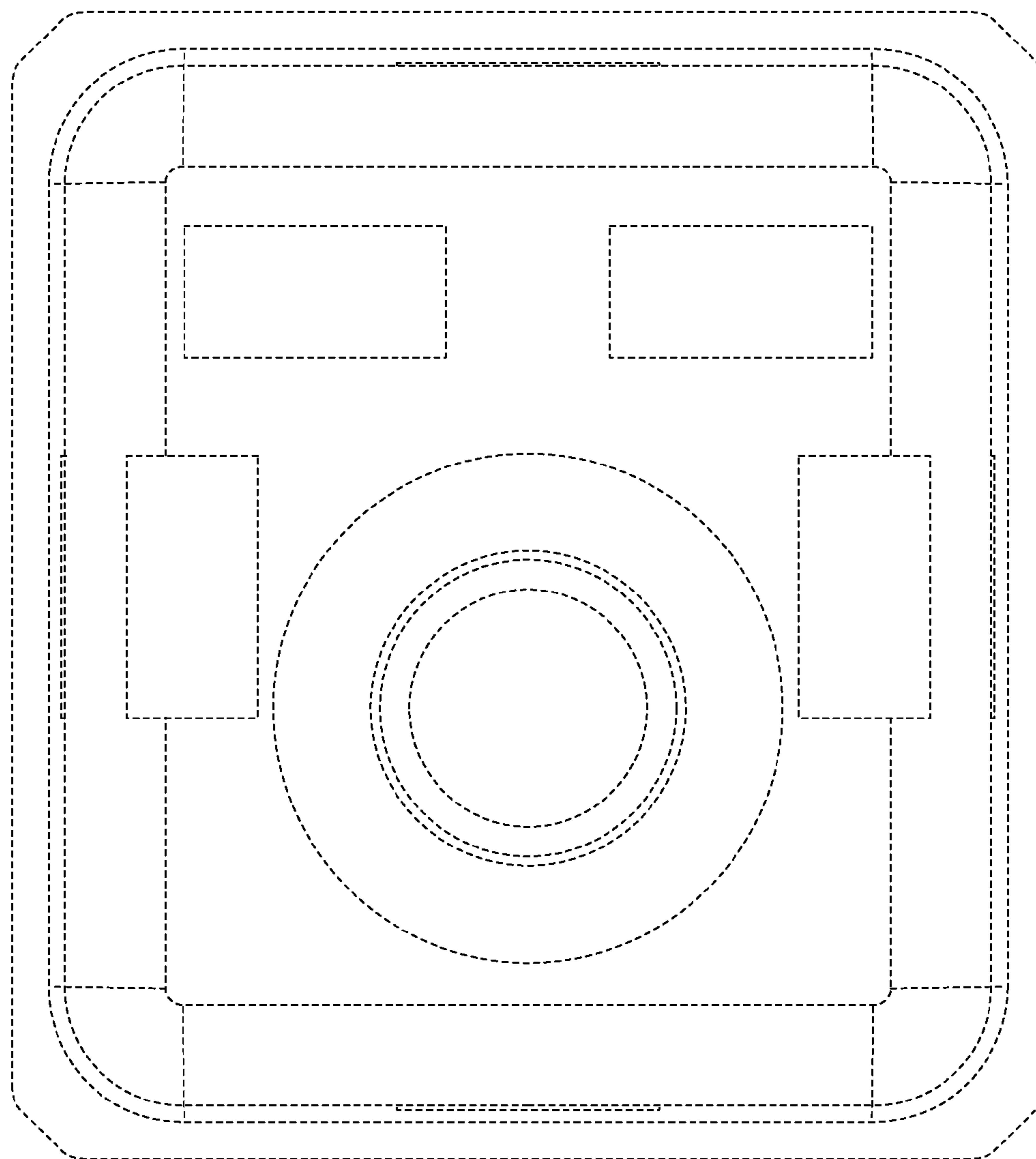
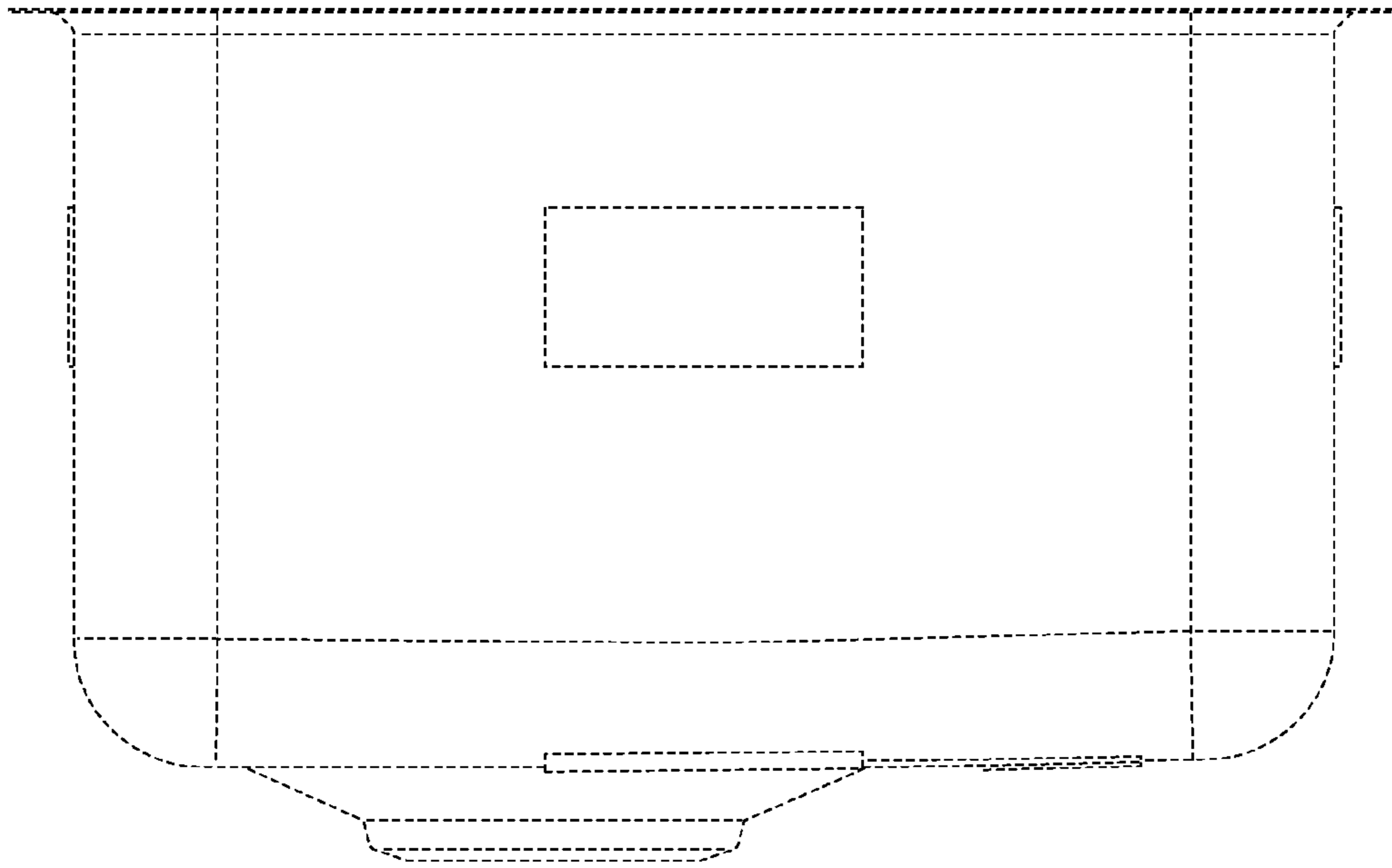


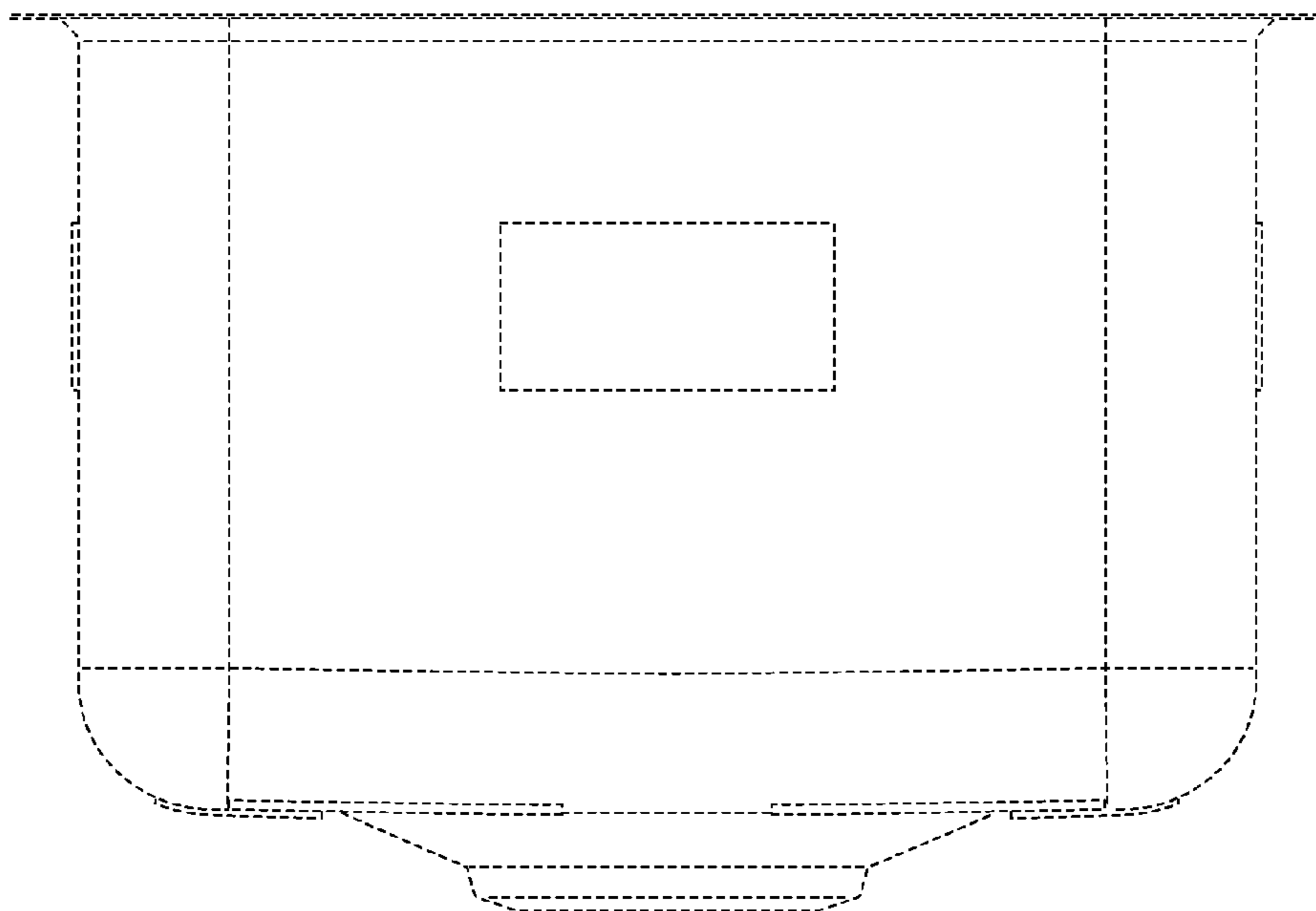
FIG. 2



**FIG. 3**

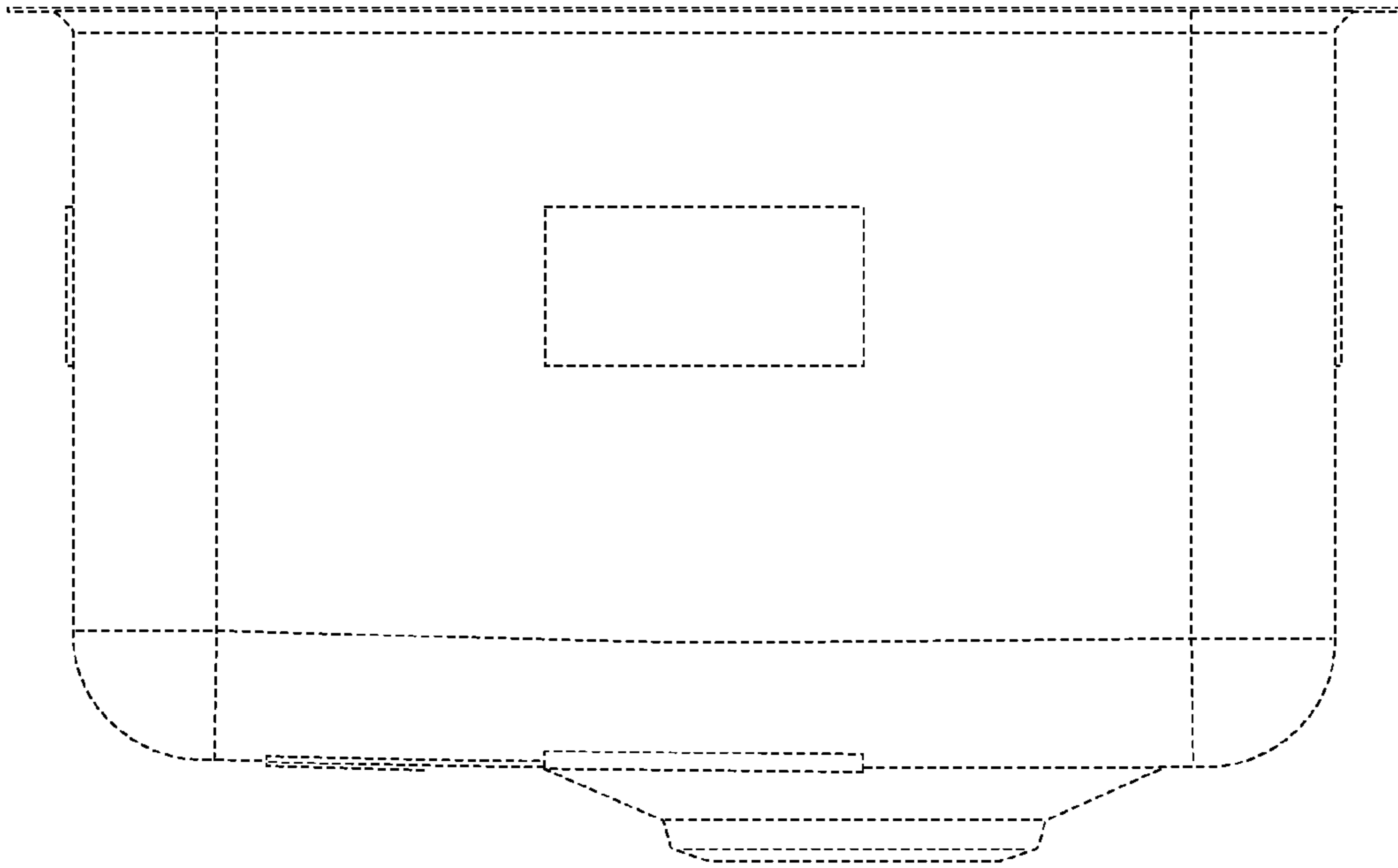


**FIG. 4**

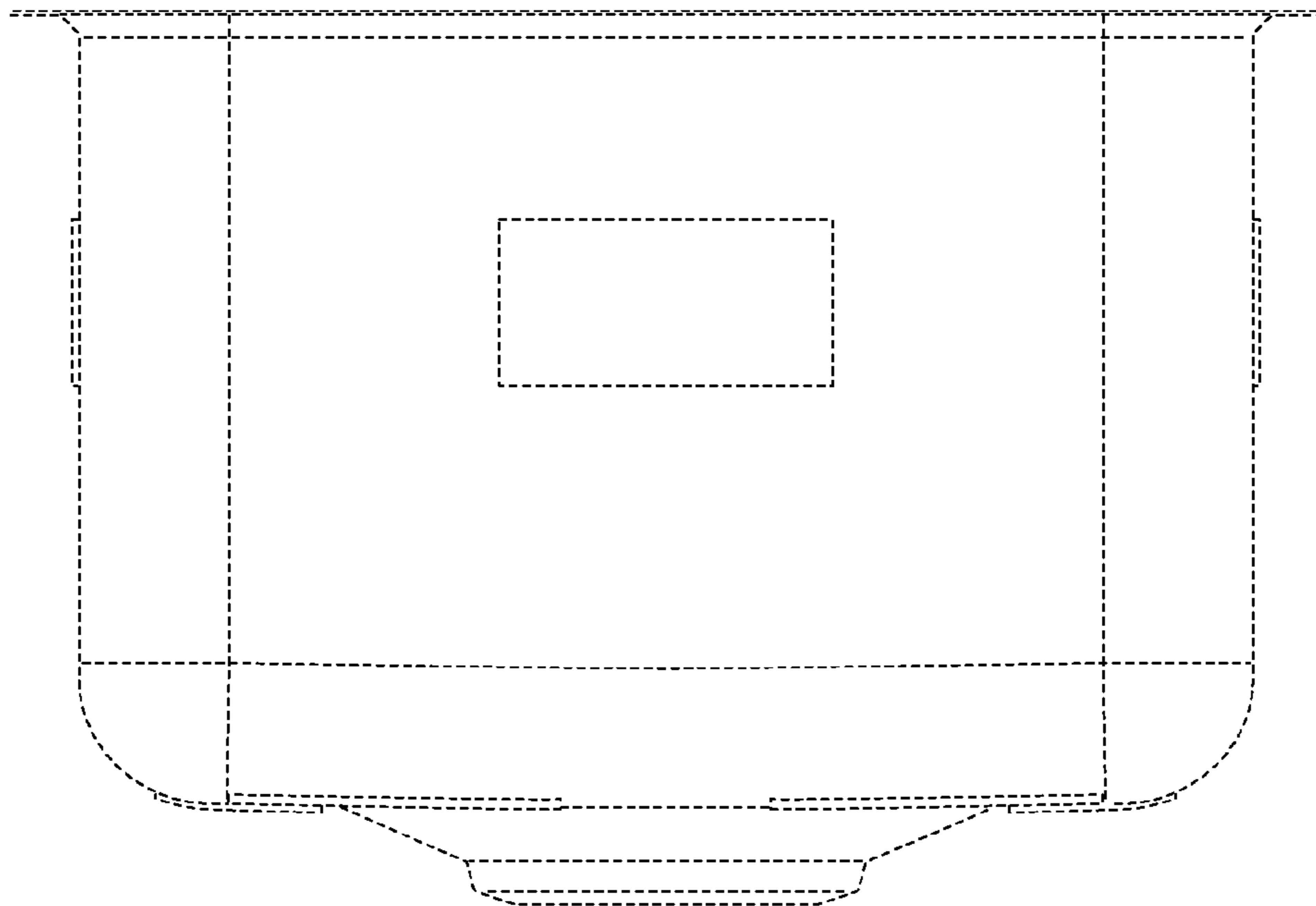


**FIG. 5**

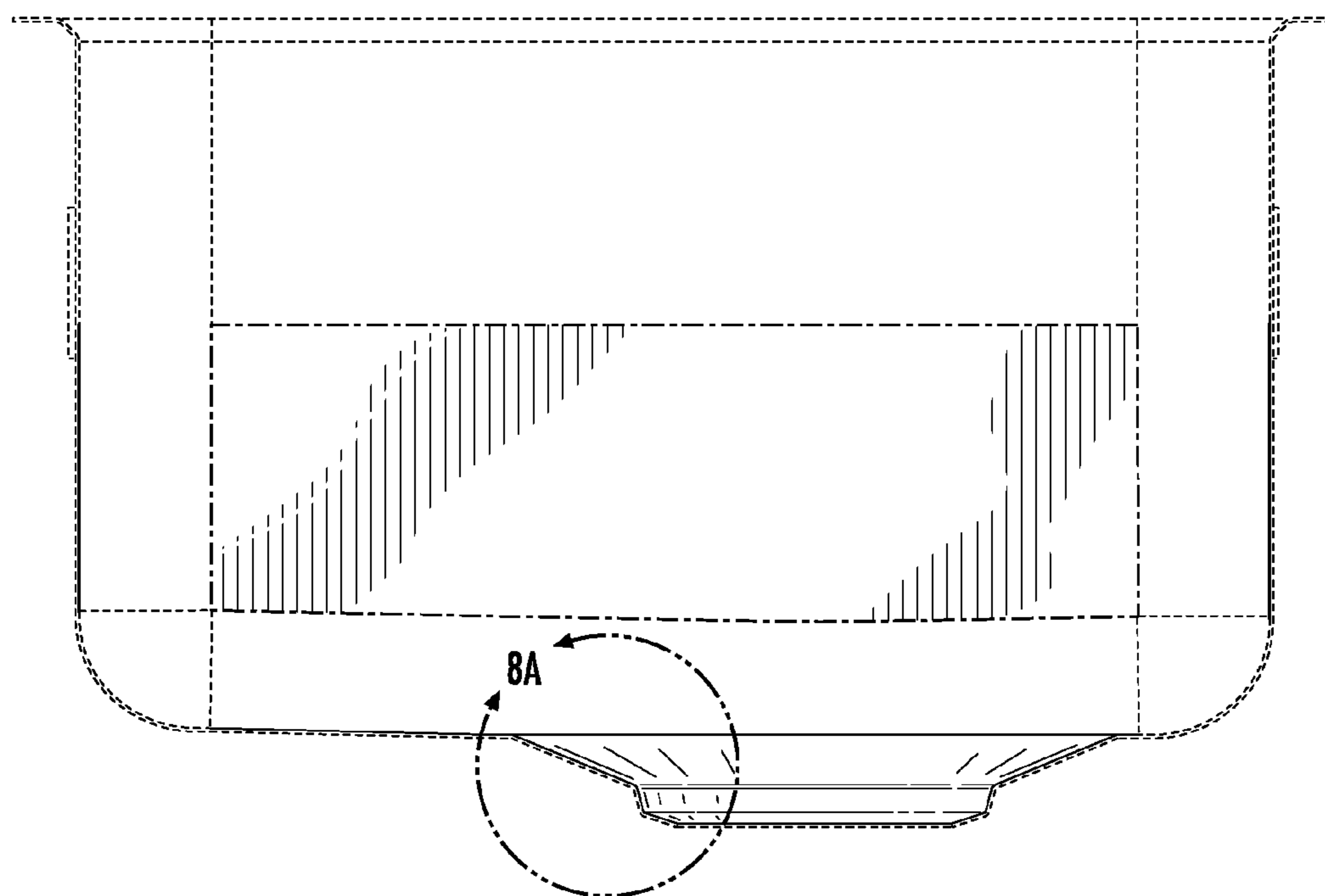




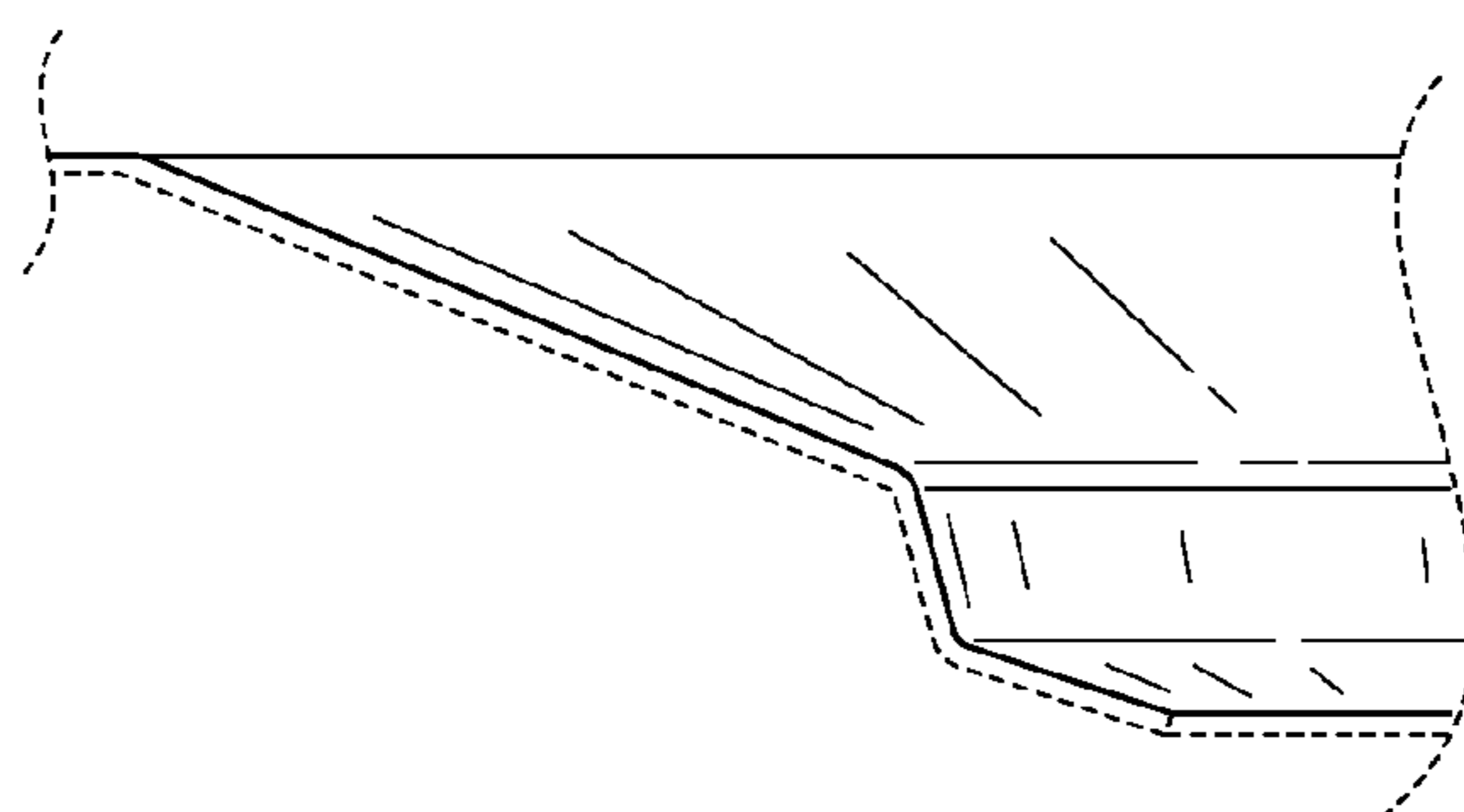
**FIG. 6**



**FIG. 7**

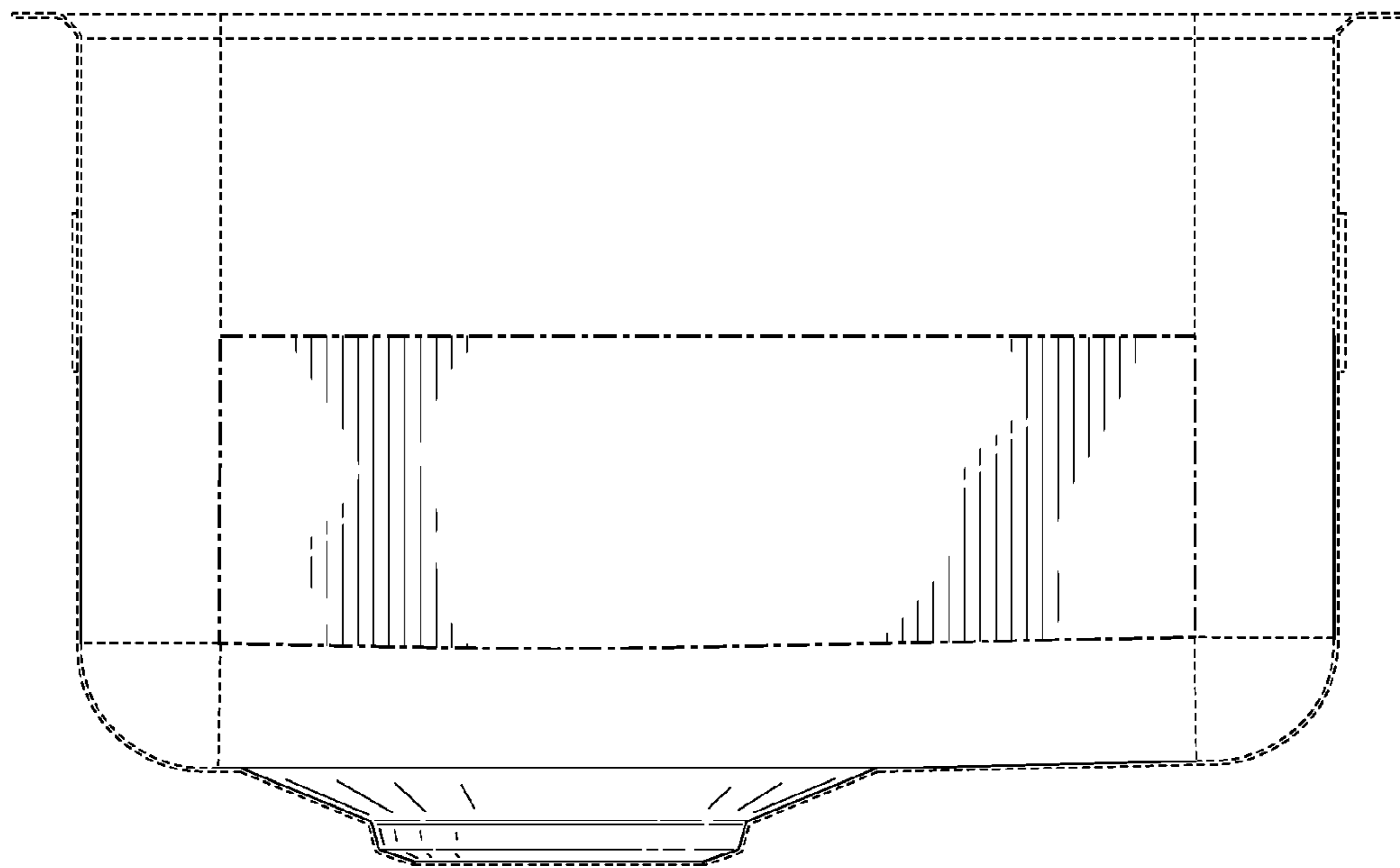


**FIG. 8**

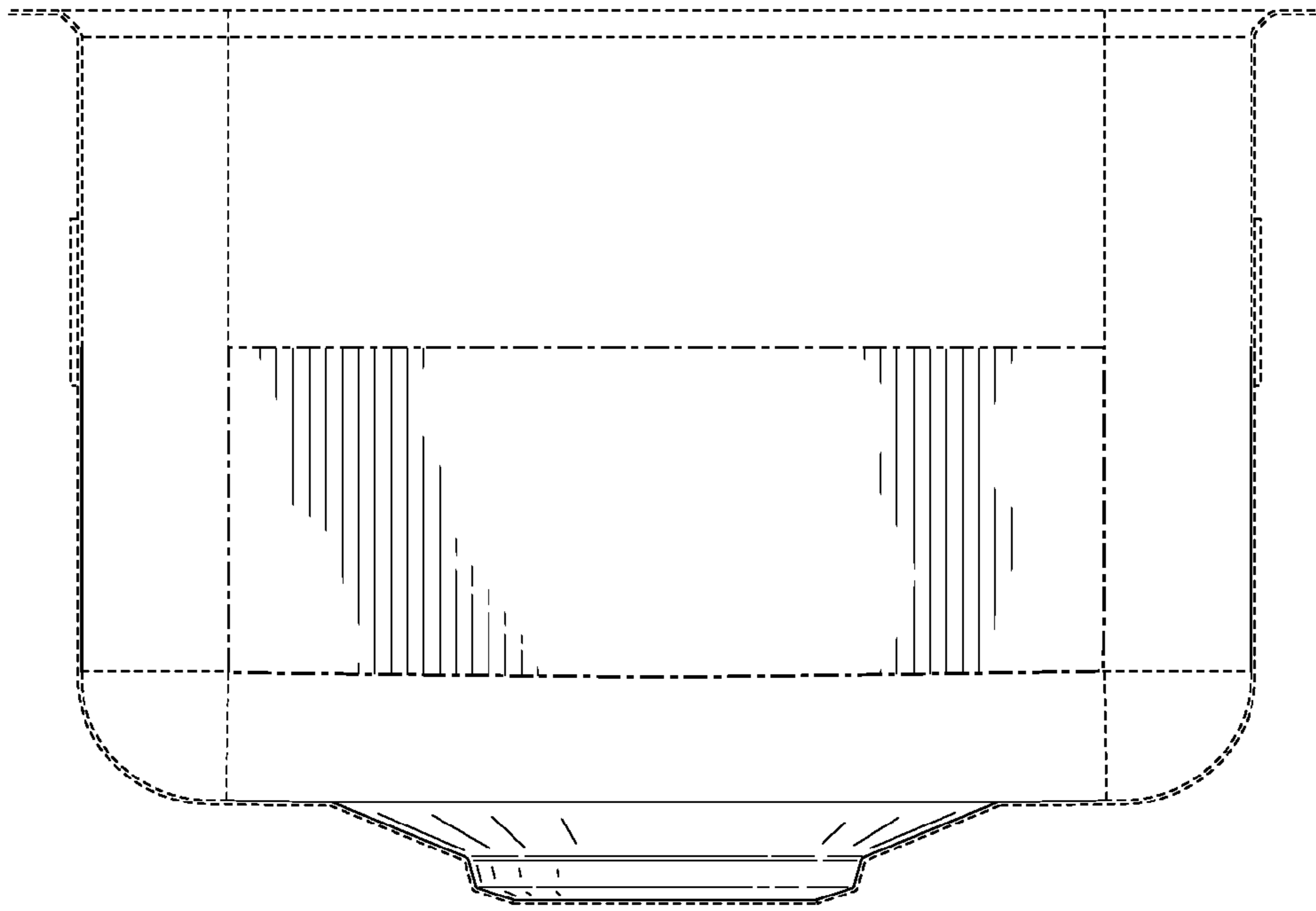


**FIG. 8A**

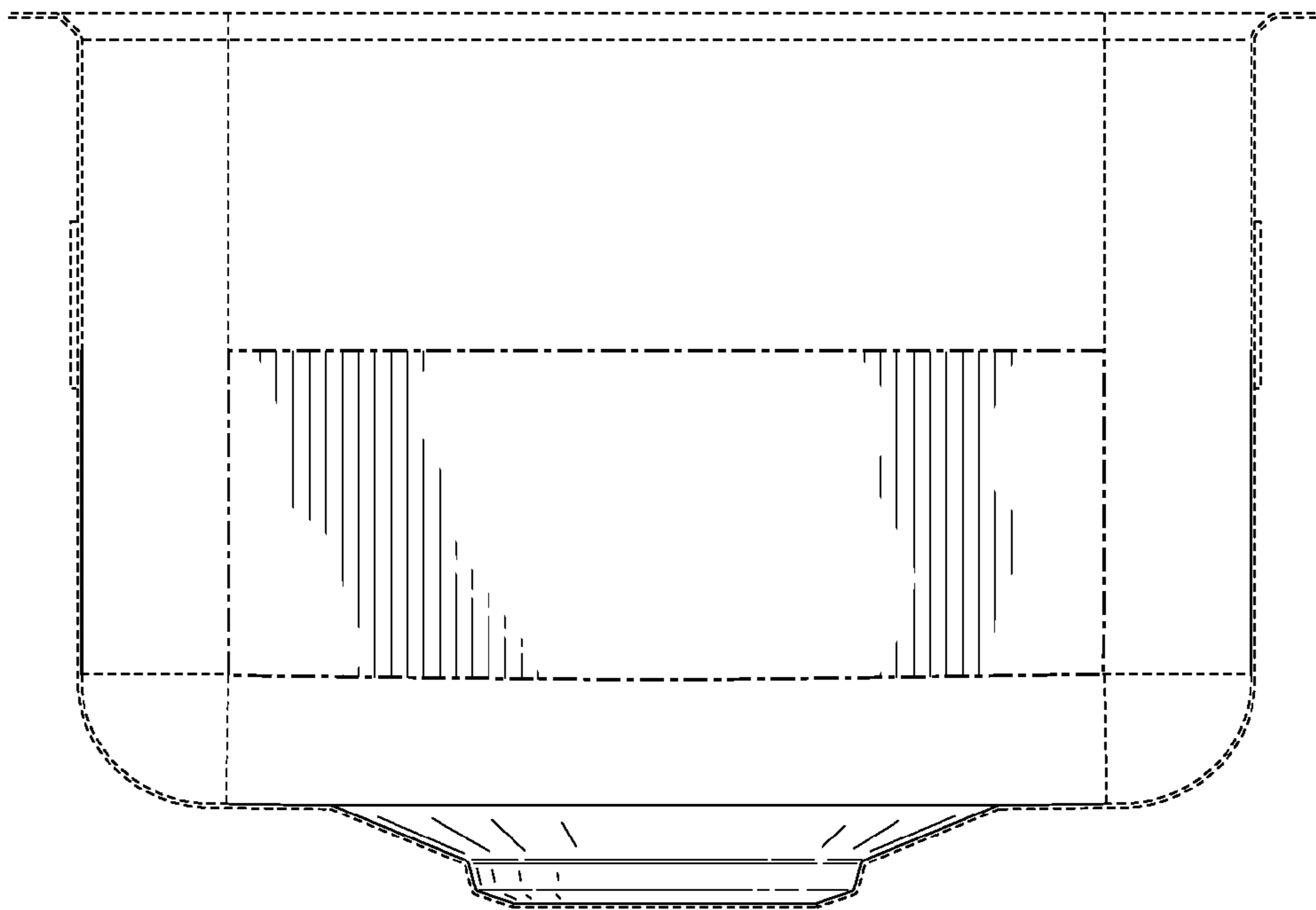




**FIG. 9**



**FIG. 10**



**FIG. 11**