



US00D729359S

(12) **United States Design Patent**  
**Snider**

(10) **Patent No.:** **US D729,359 S**

(45) **Date of Patent:** **\*\* May 12, 2015**

(54) **EXPANDABLE RACK FOR A SINK**

(71) Applicant: **MSA Products, Inc.**, Nyack, NY (US)

(72) Inventor: **Martin Snider**, New City, NY (US)

(73) Assignee: **MSA Products, Inc.**, Nyack, NY (US)

(\*\*) Term: **14 Years**

(21) Appl. No.: **29/478,975**

(22) Filed: **Jan. 10, 2014**

(51) **LOC (10) Cl.** ..... **23-02**

(52) **U.S. Cl.**  
USPC ..... **D23/308**; D7/667; D32/55; 4/656

(58) **Field of Classification Search**  
USPC ..... D23/303, 308, 287, 271; 4/638, 654,  
4/656, 661; D32/55, 58; D7/667;  
220/485, 494, 495, 629, 9.2-9.4  
See application file for complete search history.

(56) **References Cited**

U.S. PATENT DOCUMENTS

62,082	A	*	2/1867	Smith	.....	4/656
160,540	A	*	3/1875	Murdock	.....	4/656
265,635	A	*	10/1882	Raughtigan et al.	.....	4/656
1,389,908	A	*	9/1921	Shults et al.	.....	D32/55
D253,685	S	*	12/1979	Chapman	.....	D32/55
5,239,711	A	*	8/1993	Tafur	.....	D23/308

D354,123	S	*	1/1995	Cope	.....	D23/308
5,715,547	A	*	2/1998	Becker et al.	.....	4/656
5,992,676	A	*	11/1999	Tsai	.....	220/485
D450,453	S	*	11/2001	Andujar	.....	D3/306
D704,511	S	*	5/2014	Beckman et al.	.....	D7/552.2

\* cited by examiner

*Primary Examiner* — Robert Delehanty

(74) *Attorney, Agent, or Firm* — Gerald E. Hespos; Michael J. Porco; Matthew T. Hespos

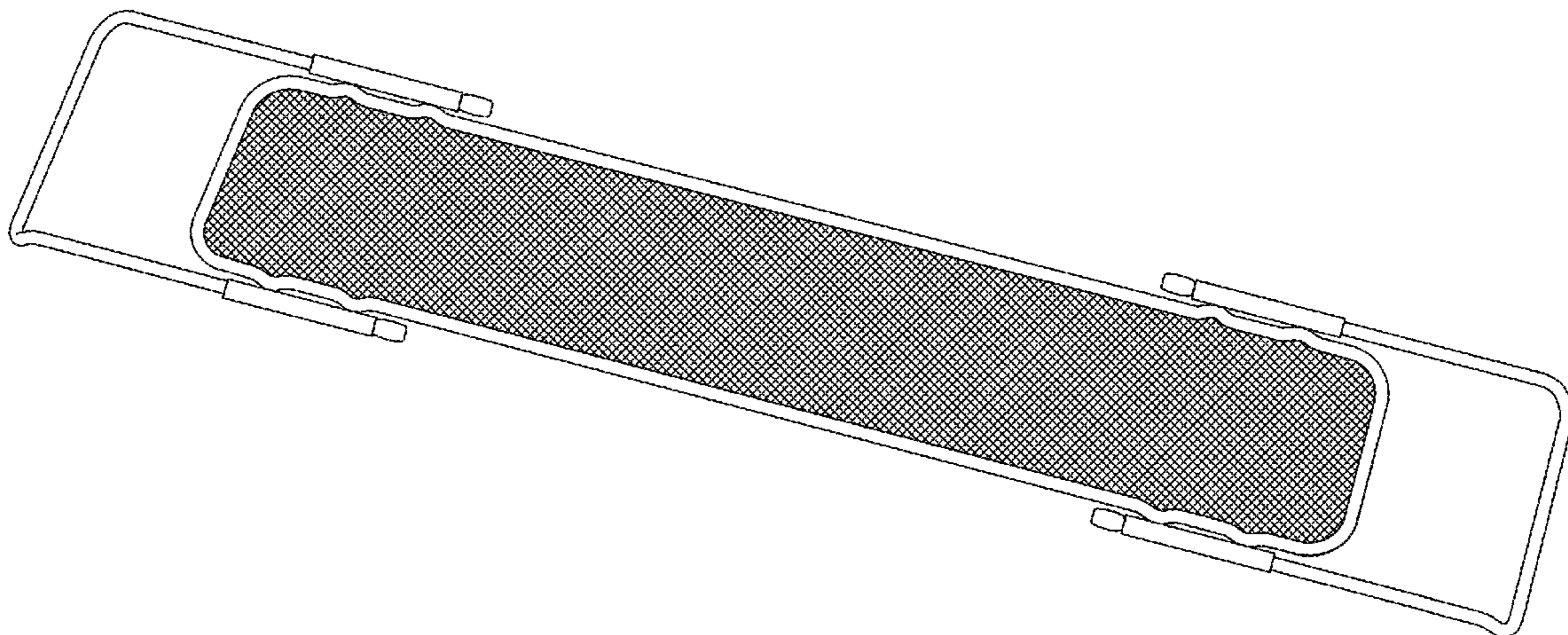
(57) **CLAIM**

The ornamental design of an expandable rack for a sink, as shown and described.

**DESCRIPTION**

FIG. 1 is a perspective view of an expandable rack for a sink in an expanded condition in accordance with my design.  
 FIG. 2 is a perspective view of the expandable rack for a sink in a collapsed condition;  
 FIG. 3 is a top plan view thereof in the collapsed condition;  
 FIG. 4 is a front elevational view thereof in the collapsed condition, with the rear elevational view being substantially identical;  
 FIG. 5 is a side elevational view thereof viewed from the left side in FIG. 2, with the right side elevational view being substantially identical; and,  
 FIG. 6 is a bottom plan view of the expandable rack for a sink in the collapsed condition.

**1 Claim, 4 Drawing Sheets**



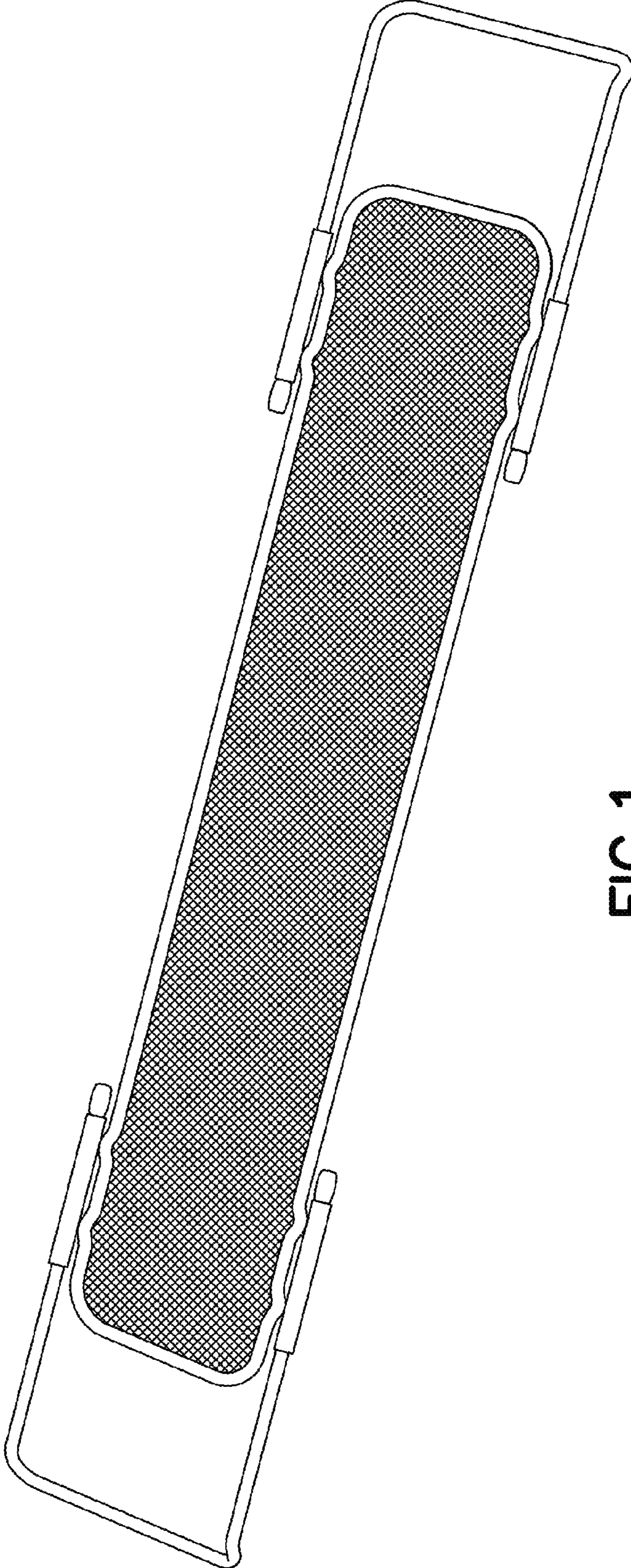


FIG.1

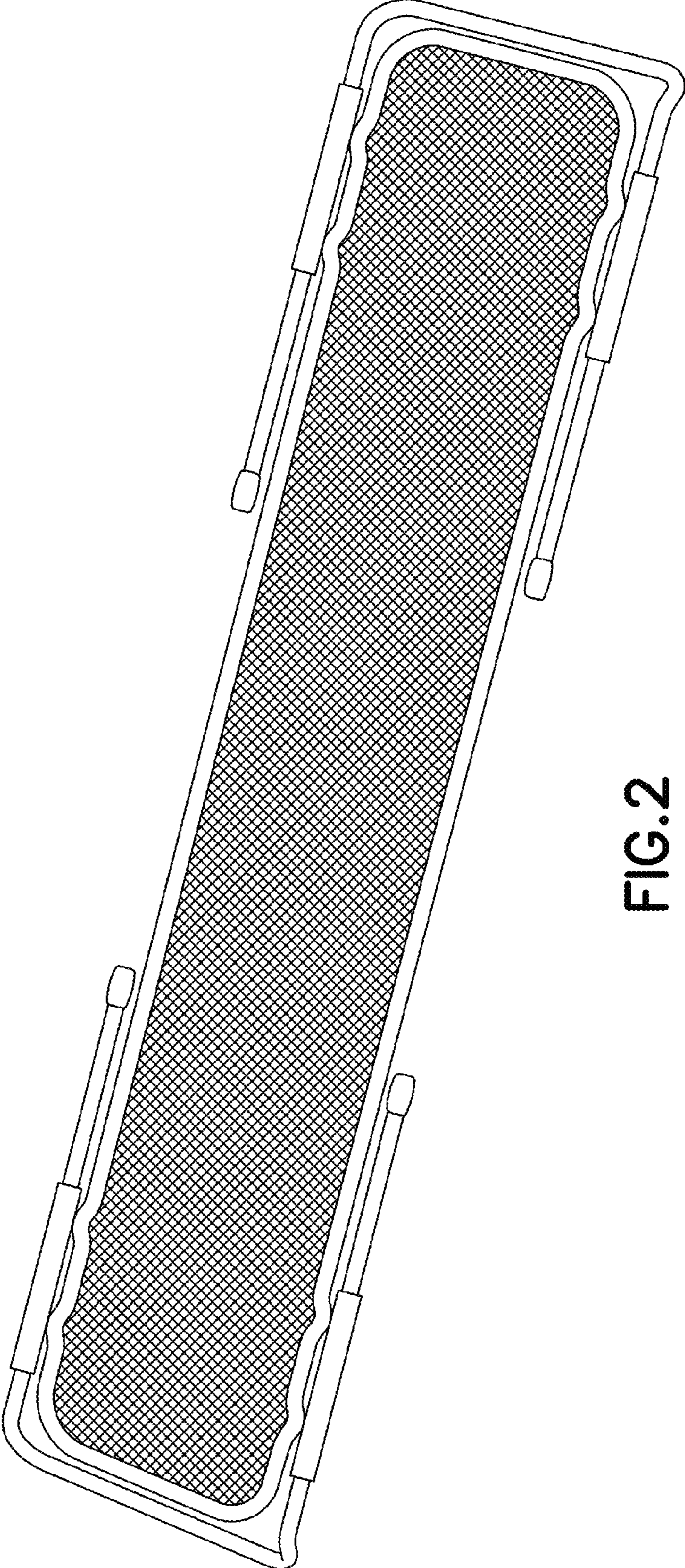


FIG.2

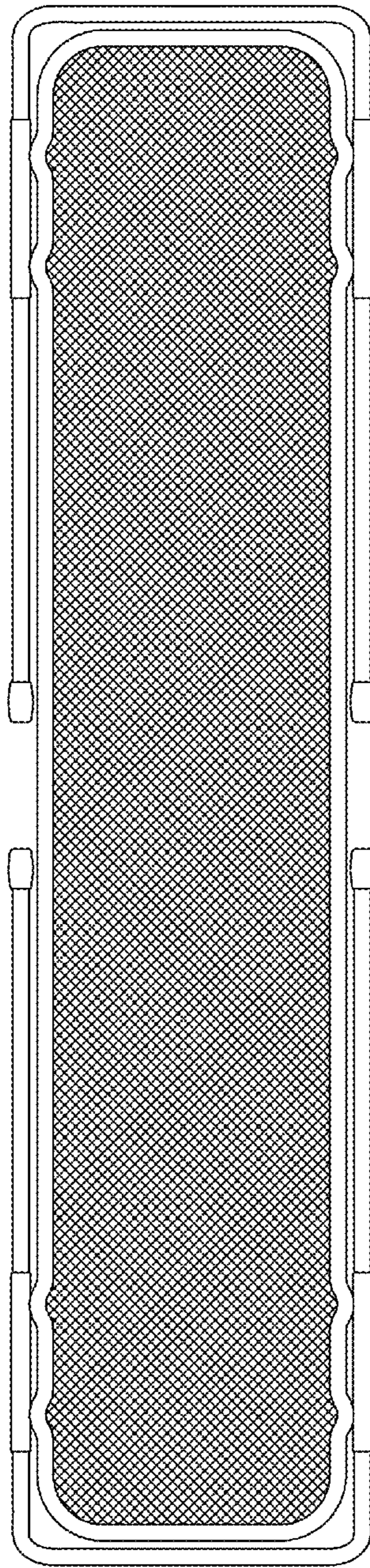


FIG. 3

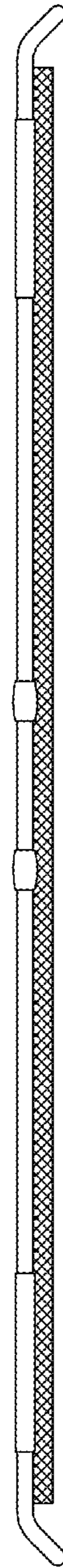


FIG. 4

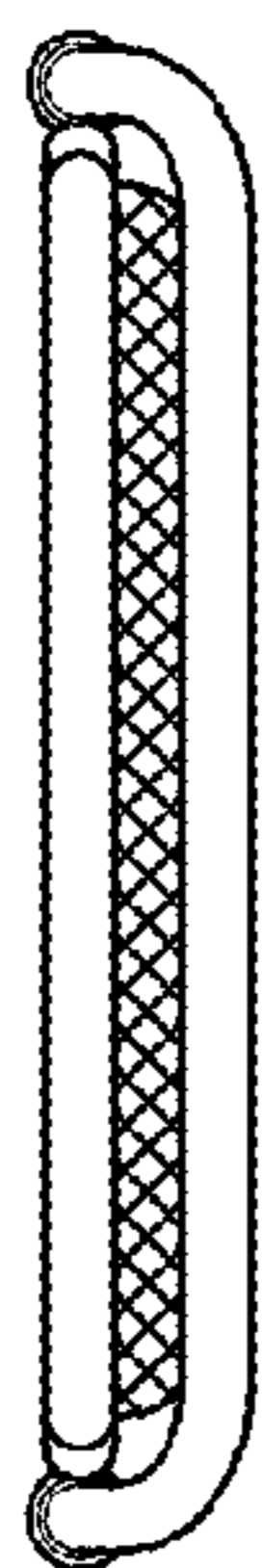


FIG. 5

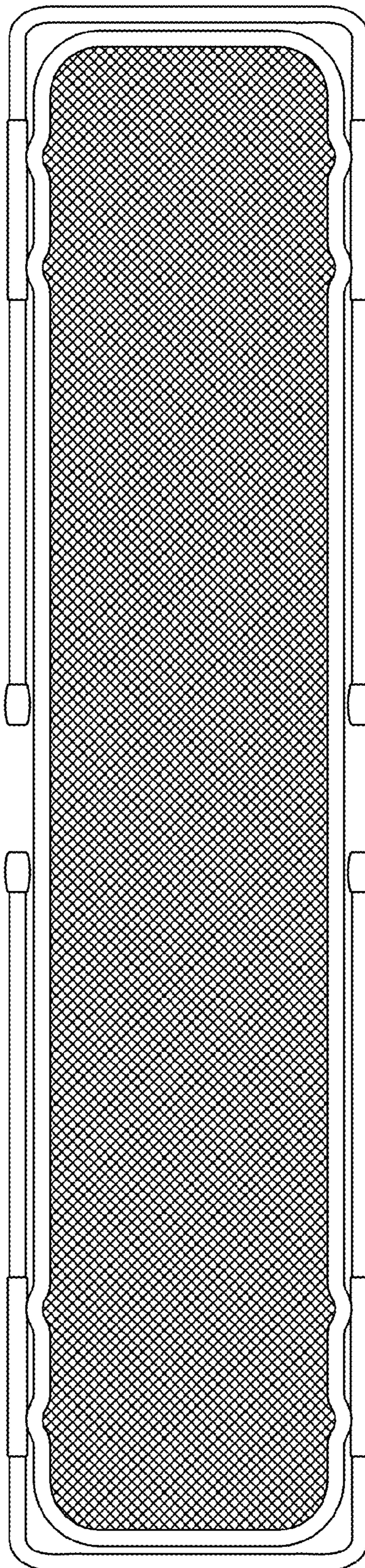


FIG. 6