



US00D729358S

(12) **United States Design Patent**  
**Schiavello**

(10) **Patent No.:** **US D729,358 S**

(45) **Date of Patent:** **\*\* May 12, 2015**

(54) **BATH**

(71) Applicant: **Schiavello (VIC) Pty Ltd.**, Tullamarine,  
Victoria (AU)

(72) Inventor: **Antonino Schiavello**, Tullamarine (AU)

(73) Assignee: **Schiavello (VIC) Pty Ltd.**, Tullamarine,  
Victoria (AU)

(\*\*) Term: **14 Years**

(21) Appl. No.: **29/494,073**

(22) Filed: **Jun. 17, 2014**

(30) **Foreign Application Priority Data**

Mar. 6, 2014 (AU) ..... 11022/2014

(51) **LOC (10) Cl.** ..... **23-02**

(52) **U.S. Cl.**  
USPC ..... **D23/277**

(58) **Field of Classification Search**  
CPC ..... A47K 4/00; A47K 3/02  
USPC ..... D23/275, 277, 280.1, 303-304, 306;  
4/635-638, 538; D24/204-205  
See application file for complete search history.

(56) **References Cited**

U.S. PATENT DOCUMENTS

D278,844 S \* 5/1985 Stairs, Jr. .... D23/277  
D295,781 S \* 5/1988 Hubel ..... D23/280.2  
D440,640 S \* 4/2001 Walsh ..... D23/277  
D613,834 S \* 4/2010 Kergoet ..... D23/277

\* cited by examiner

*Primary Examiner* — Robert Delehanty

(74) *Attorney, Agent, or Firm* — Brinks Gilson & Lione; G.  
Peter Nichols

(57) **CLAIM**

The ornamental design for a bath, as shown and described.

**DESCRIPTION**

FIG. 1 is a top perspective view from one side of a bath according to the present invention;

FIG. 2 is a top perspective view from another side of the bath of FIG. 1;

FIG. 3 is a top plan view of the bath of FIG. 1; and,

FIG. 4 is a cross-sectional view along 4-4 of FIG. 3.

The dashed lines shown in the drawings represent unclaimed portions and form no part of the claimed design.

**1 Claim, 3 Drawing Sheets**

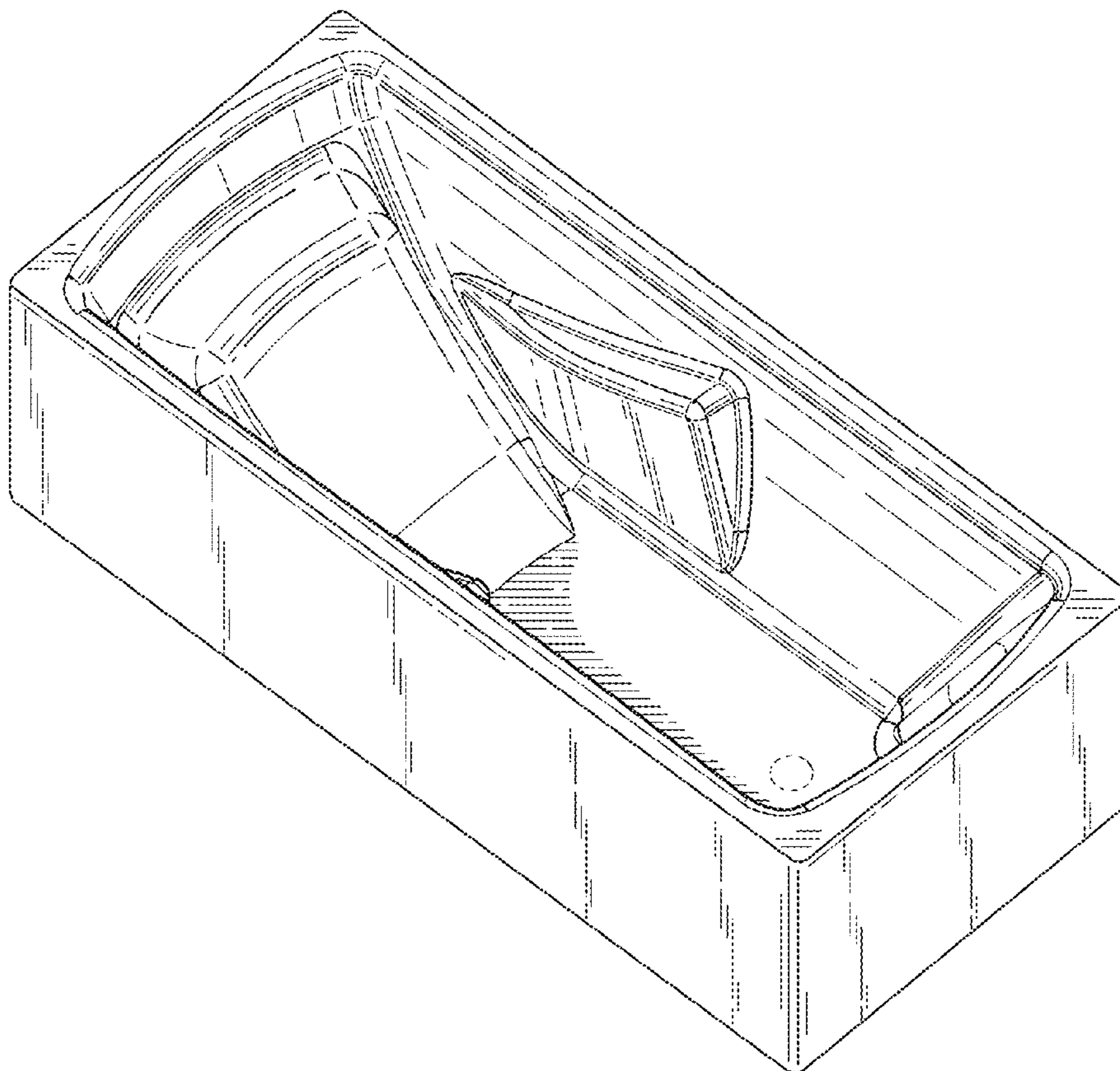


Fig. 1

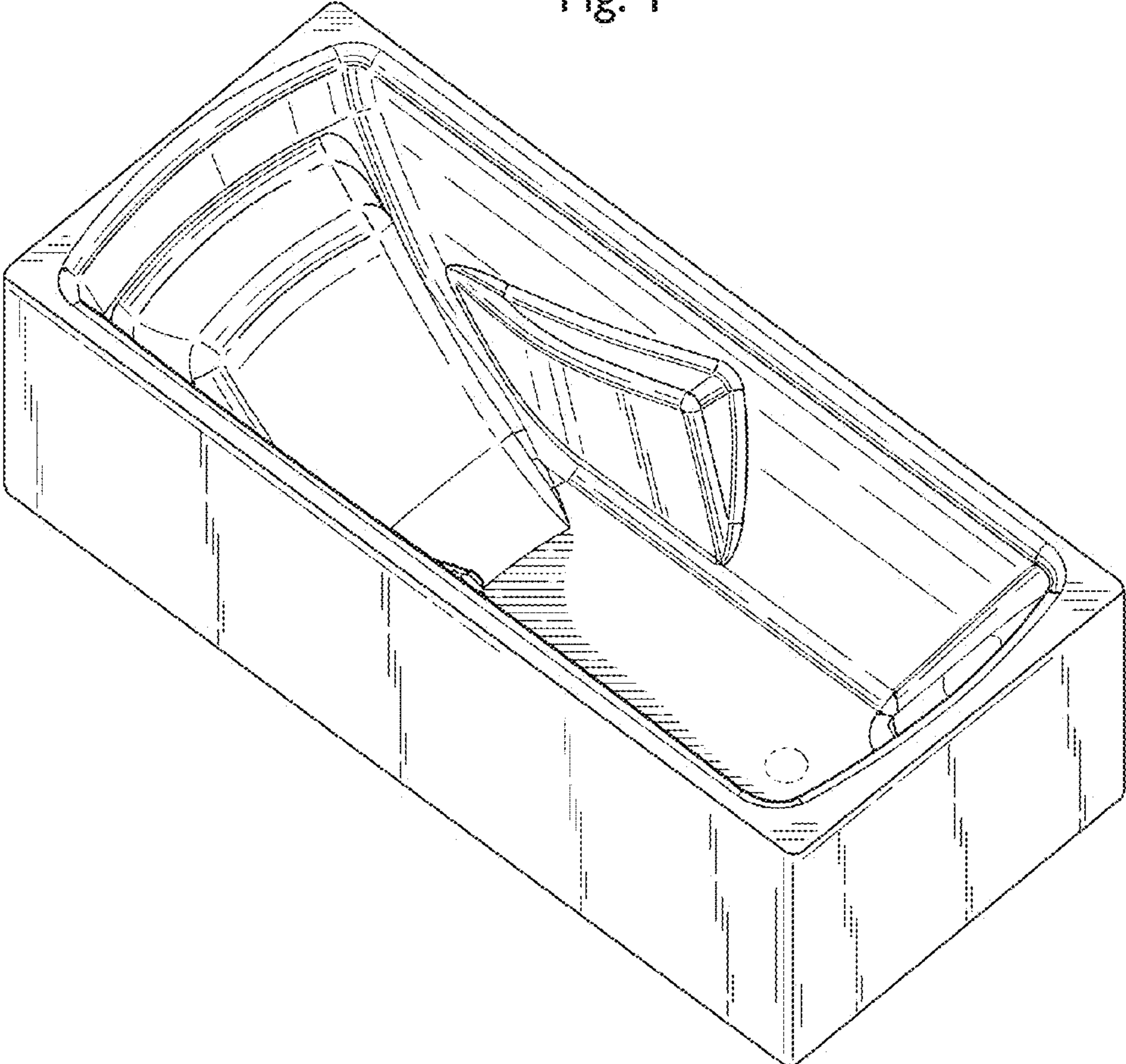
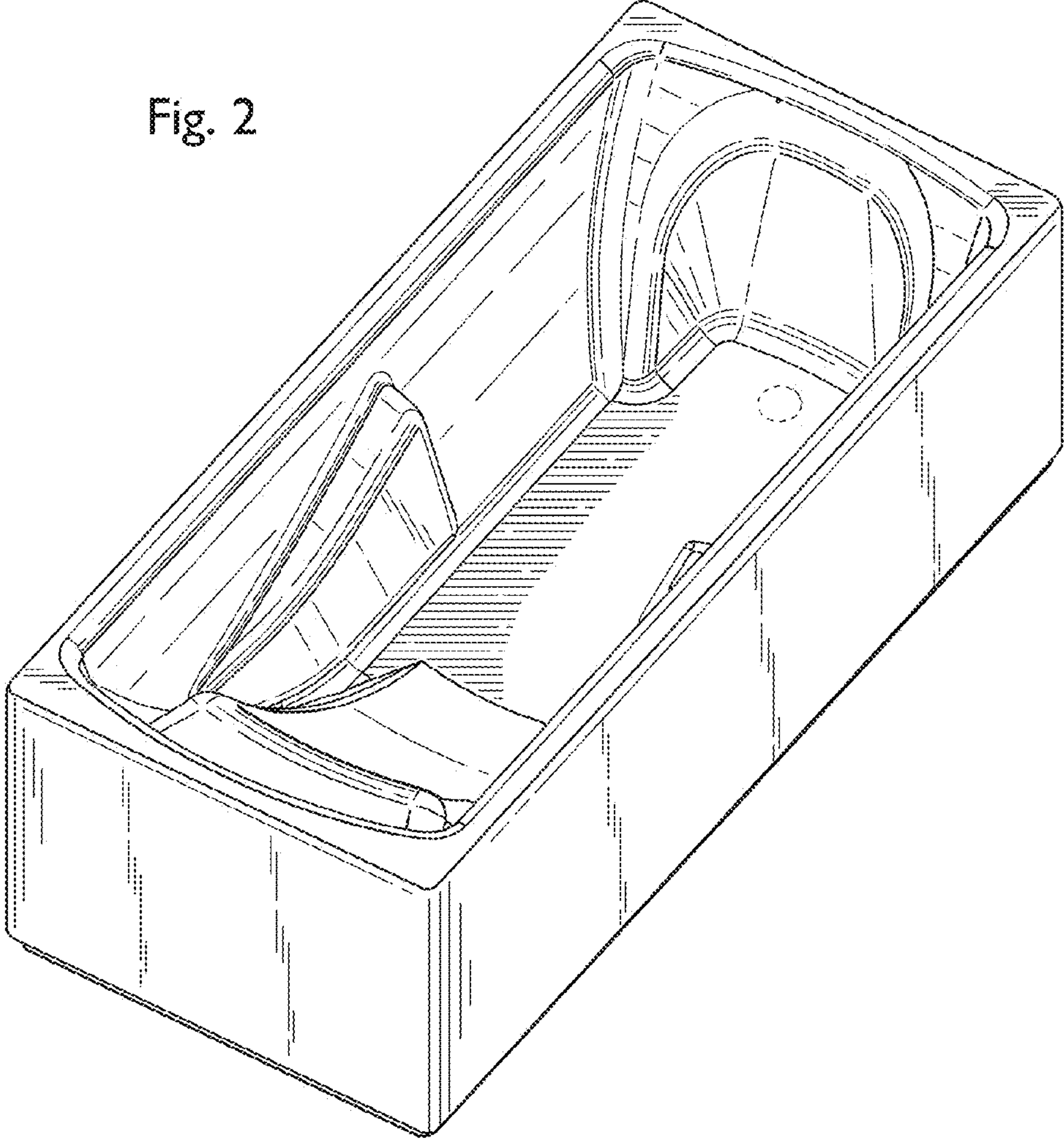


Fig. 2





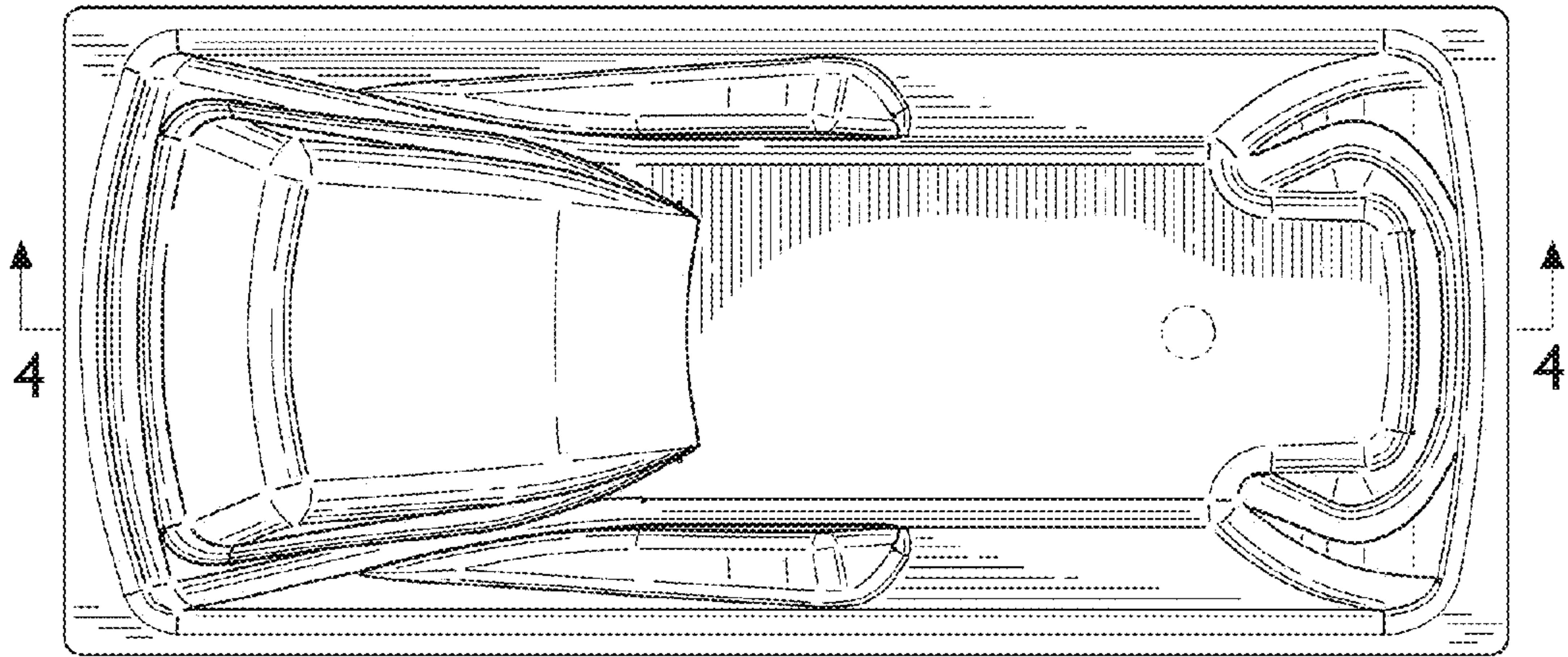


Fig. 3

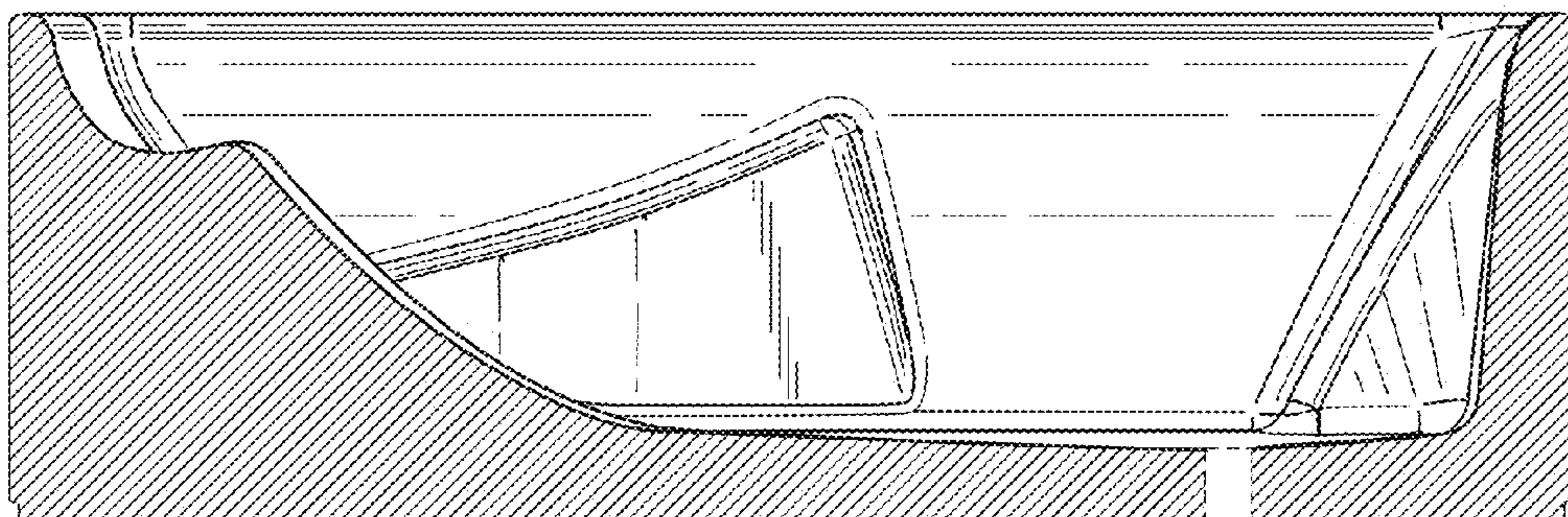


Fig. 4